



US00D682885S

(12) **United States Design Patent**
Varini

(10) **Patent No.:** **US D682,885 S**

(45) **Date of Patent:** **** May 21, 2013**

(54) **PUMP**

(75) Inventor: **Otto Varini**, Suzzara (IT)

(73) Assignee: **Piusi S.p.A.**, Suzzara (IT)

(**) Term: **14 Years**

(21) Appl. No.: **29/371,978**

(22) Filed: **Mar. 19, 2012**

(30) **Foreign Application Priority Data**

Jun. 10, 2011 (EM) 001928433

(51) **LOC (9) Cl.** **15-02**

(52) **U.S. Cl.**
USPC **D15/7**

(58) **Field of Classification Search** . D15/7-9; D23/231,
D23/232, 225; 417/60, 235, 265, 321, 355,
417/358, 363, 359, 410.1, 415-416, 405,
417/900; 60/408, 412; 184/26-37; 415/140-147;
123/495, 509

See application file for complete search history.

(56) **References Cited**

U.S. PATENT DOCUMENTS

D319,245 S * 8/1991 Larson D15/7
D538,826 S * 3/2007 Kienzle D15/9
D543,217 S * 5/2007 Puls D15/7

D589,983 S * 4/2009 Sinico D15/7
D591,311 S * 4/2009 Tojo D15/7
D644,251 S * 8/2011 Serita D15/7
D644,555 S * 9/2011 Dixon et al. D15/7
D650,813 S * 12/2011 Varini D15/7

* cited by examiner

Primary Examiner — R. Seifert

(74) *Attorney, Agent, or Firm* — Modiano & Associati;
Daniel J. O’Byrne; Albert Josif

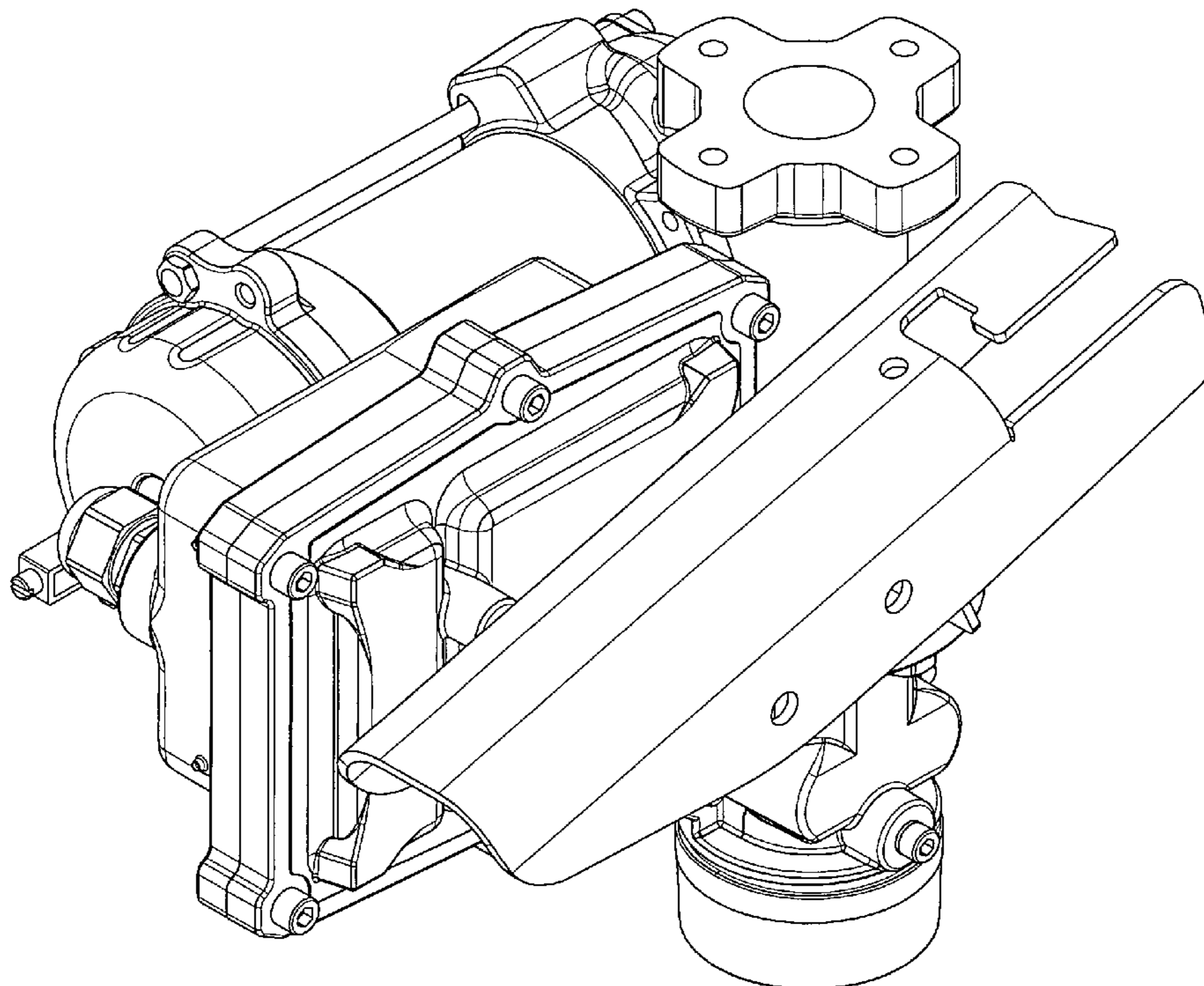
(57) **CLAIM**

The ornamental design for a pump, as shown.

DESCRIPTION

FIG. 1 is a perspective view of the pump showing my new design in a first embodiment;
FIG. 2 is a front view thereof;
FIG. 3 is a rear view thereof;
FIG. 4 is a left side view thereof;
FIG. 5 is a right side view thereof;
FIG. 6 is a top view thereof;
FIG. 7 is a bottom view thereof;
FIG. 8 is a perspective view of the pump in a second embodiment;
FIG. 9 is a front view thereof;
FIG. 10 is a rear view thereof;
FIG. 11 is a left side view thereof;
FIG. 12 is a right side view thereof;
FIG. 13 is a top view thereof; and,
FIG. 14 is a bottom view thereof.

1 Claim, 14 Drawing Sheets



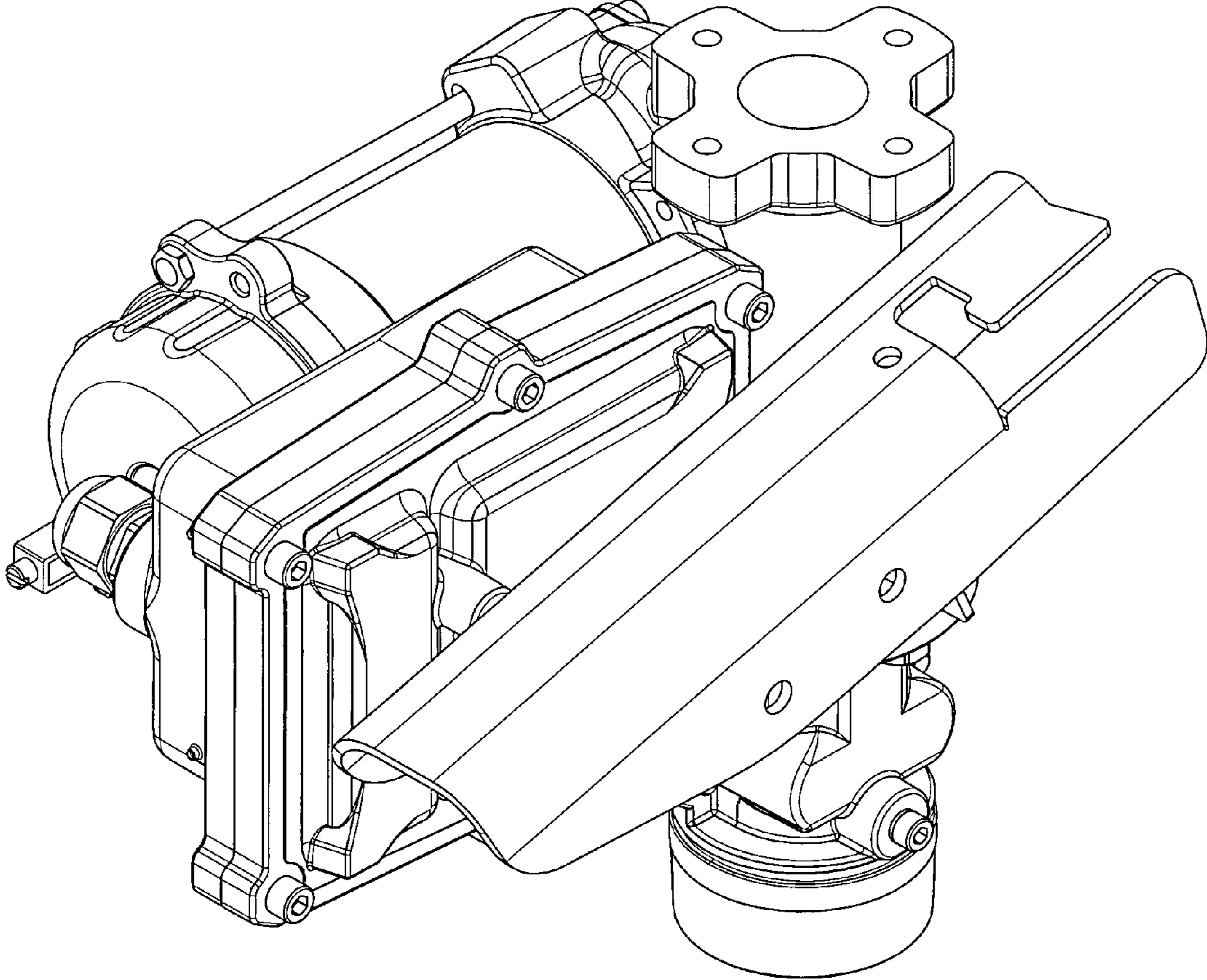


Fig. 1

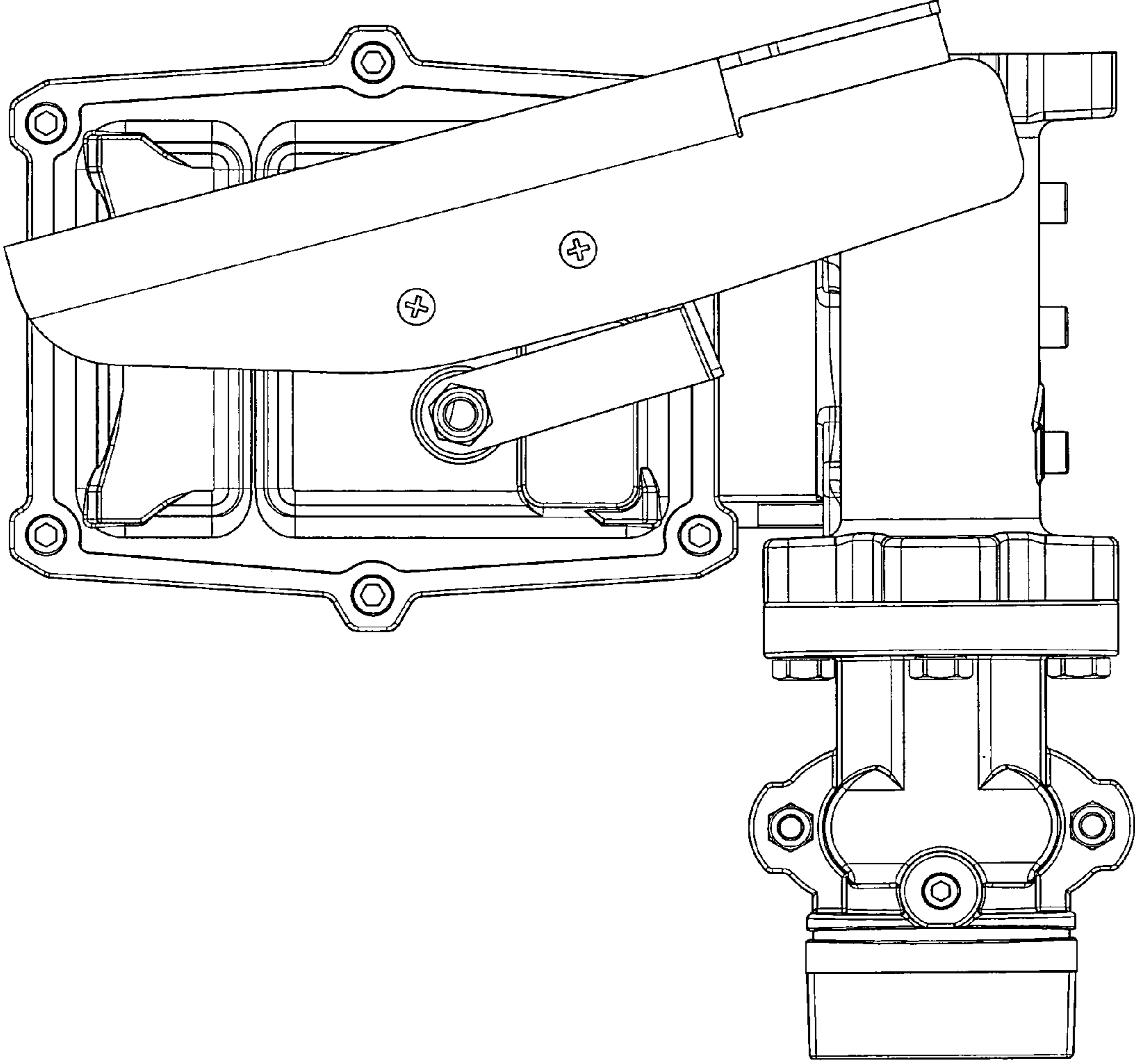


Fig. 2

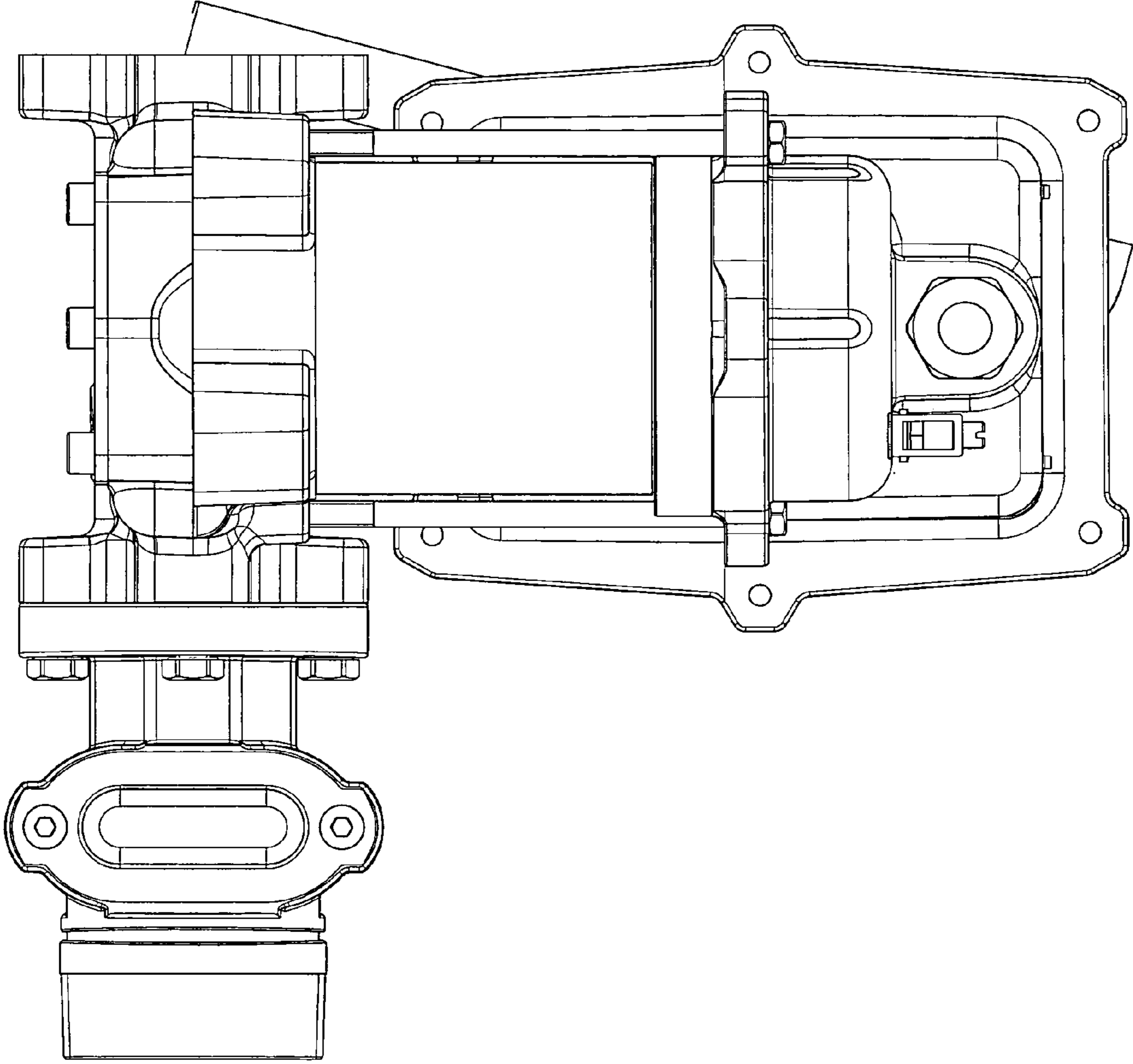


Fig. 3

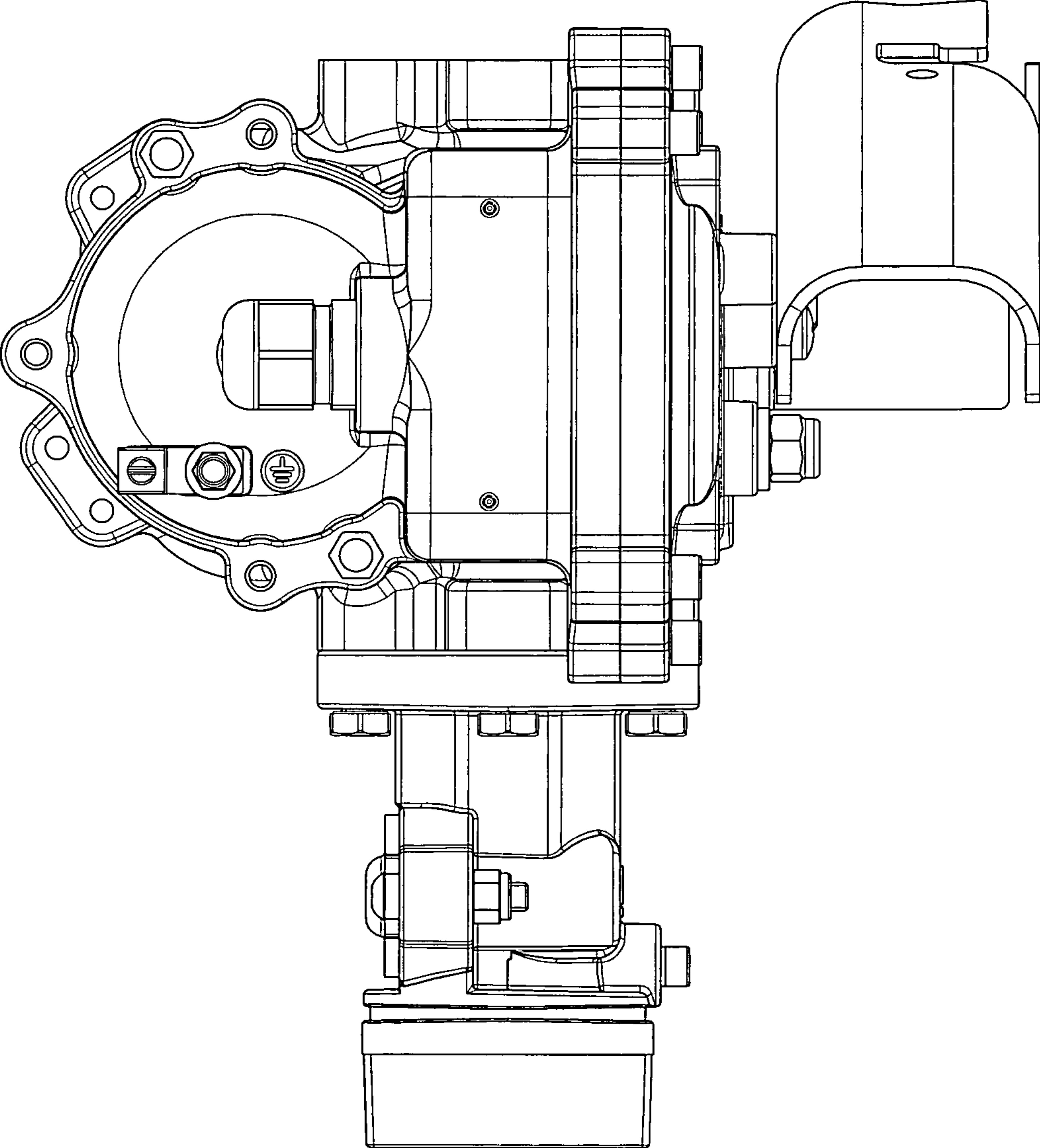


Fig. 4

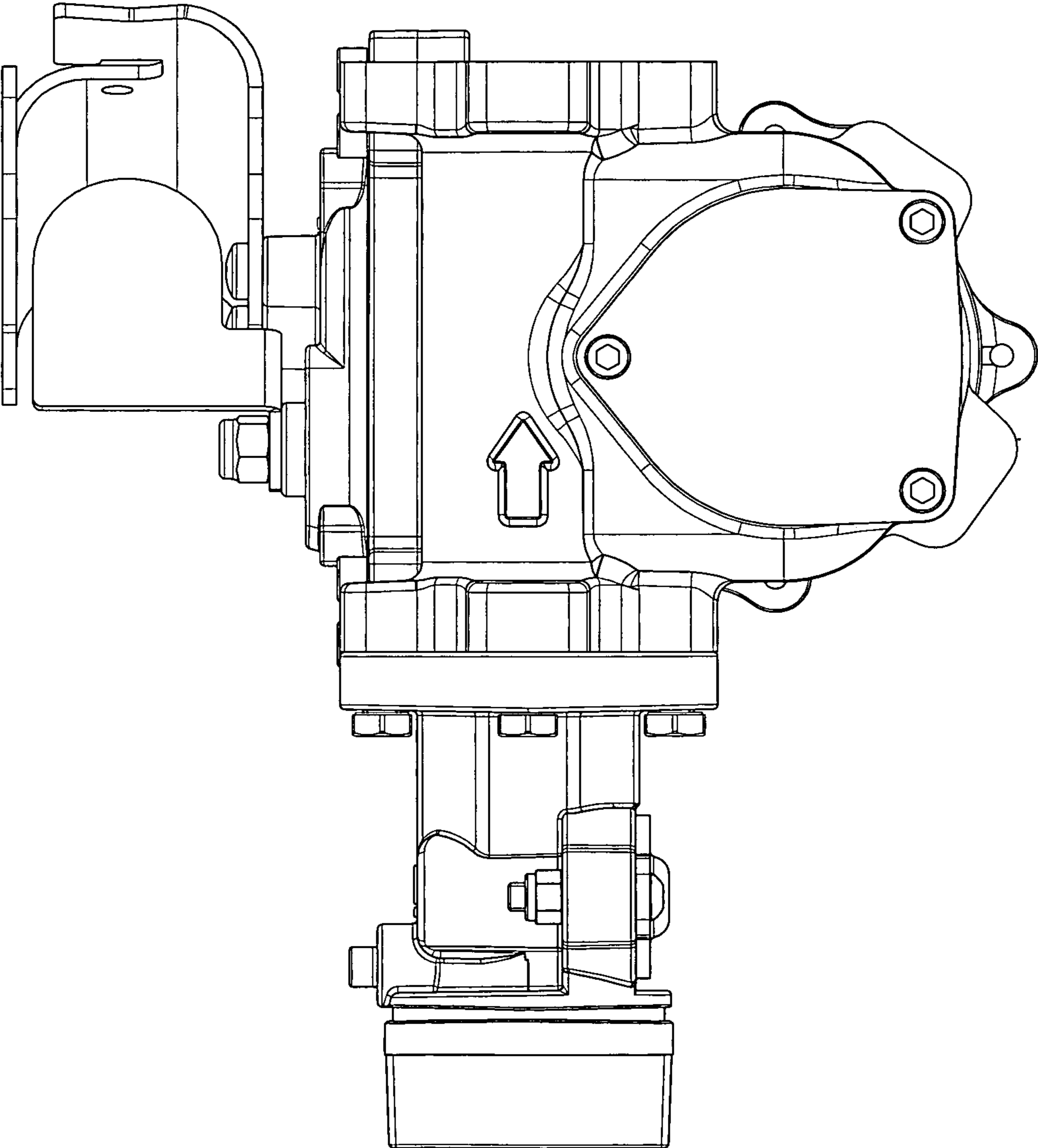


Fig. 5

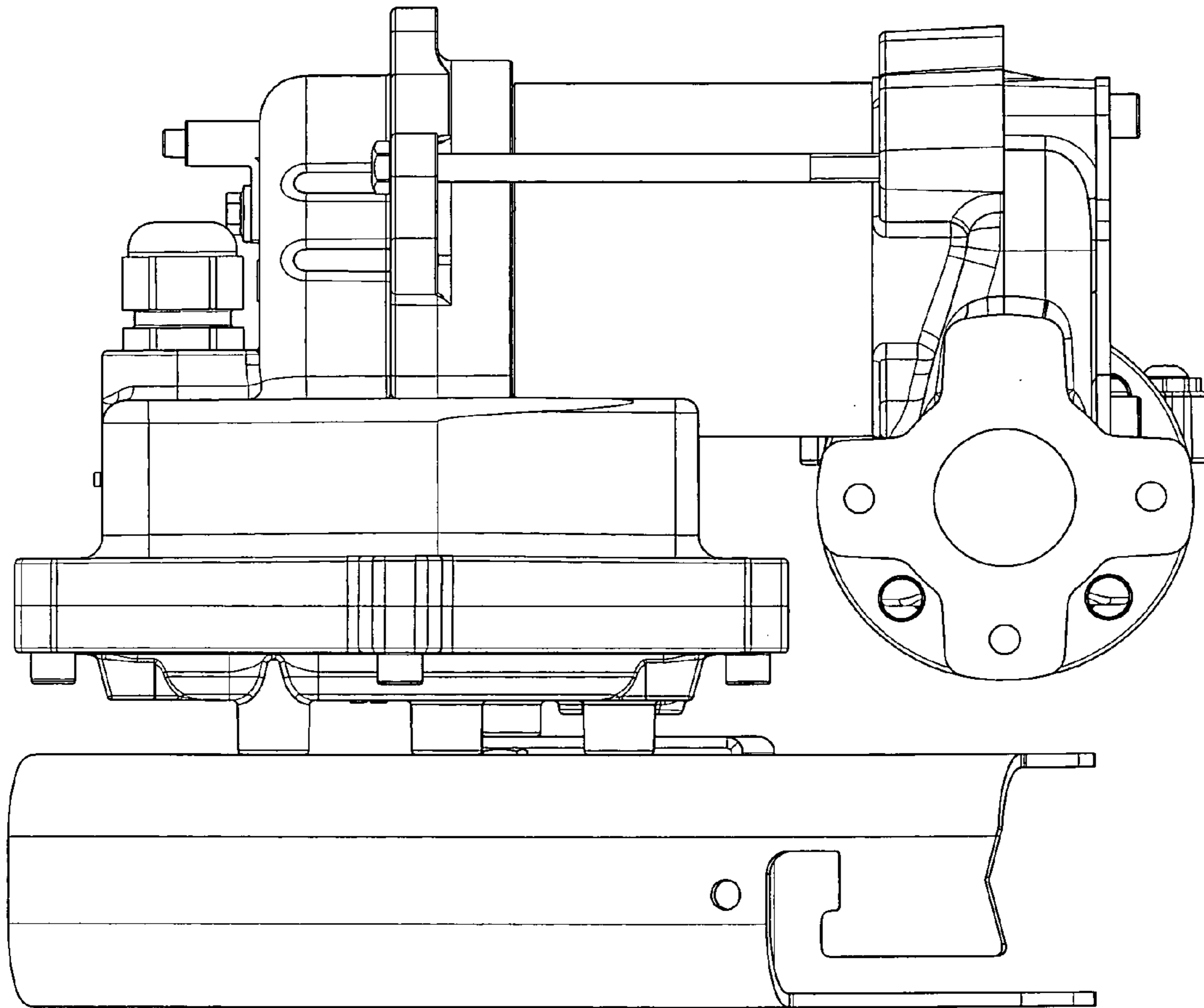


Fig. 6

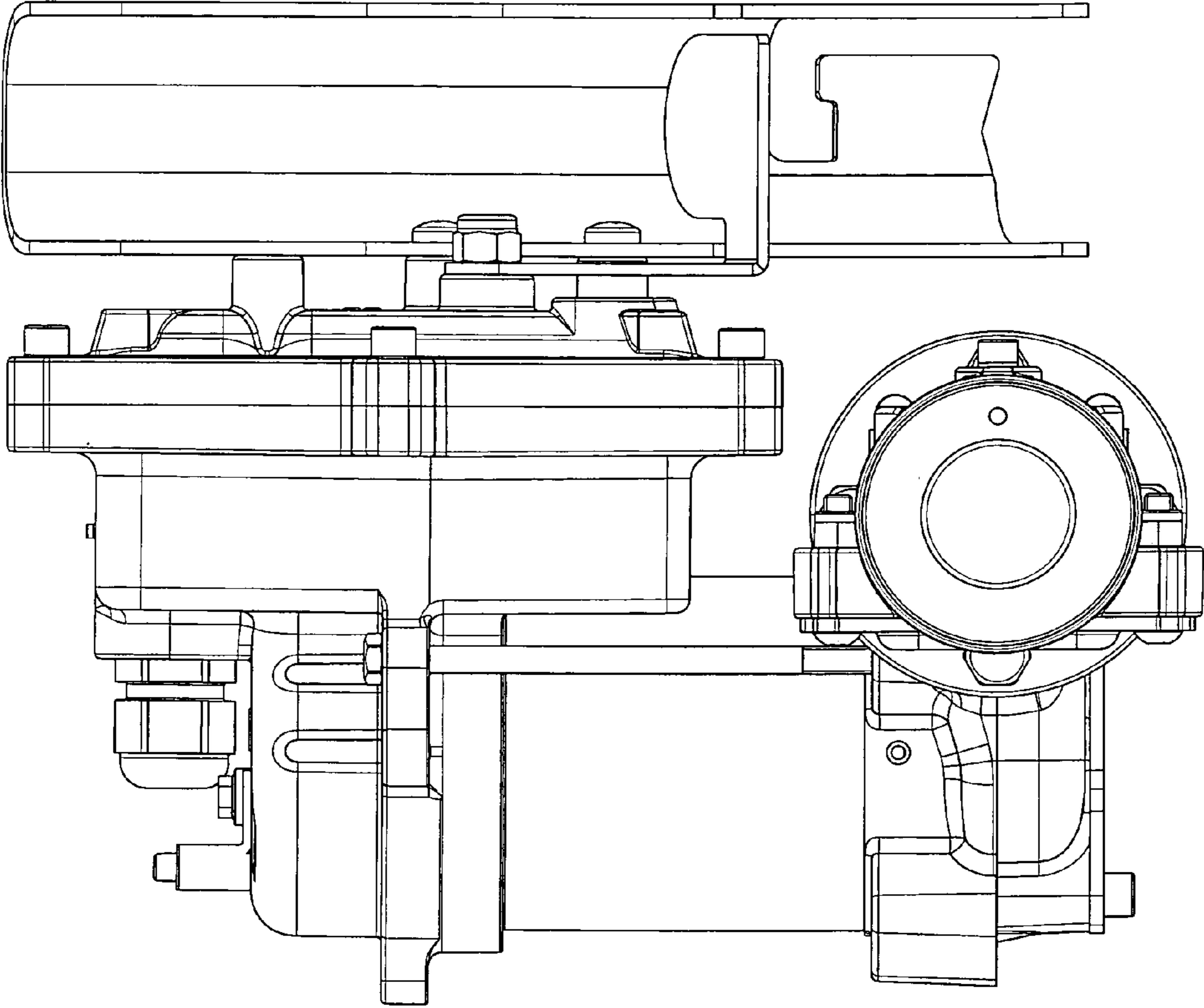


Fig. 7

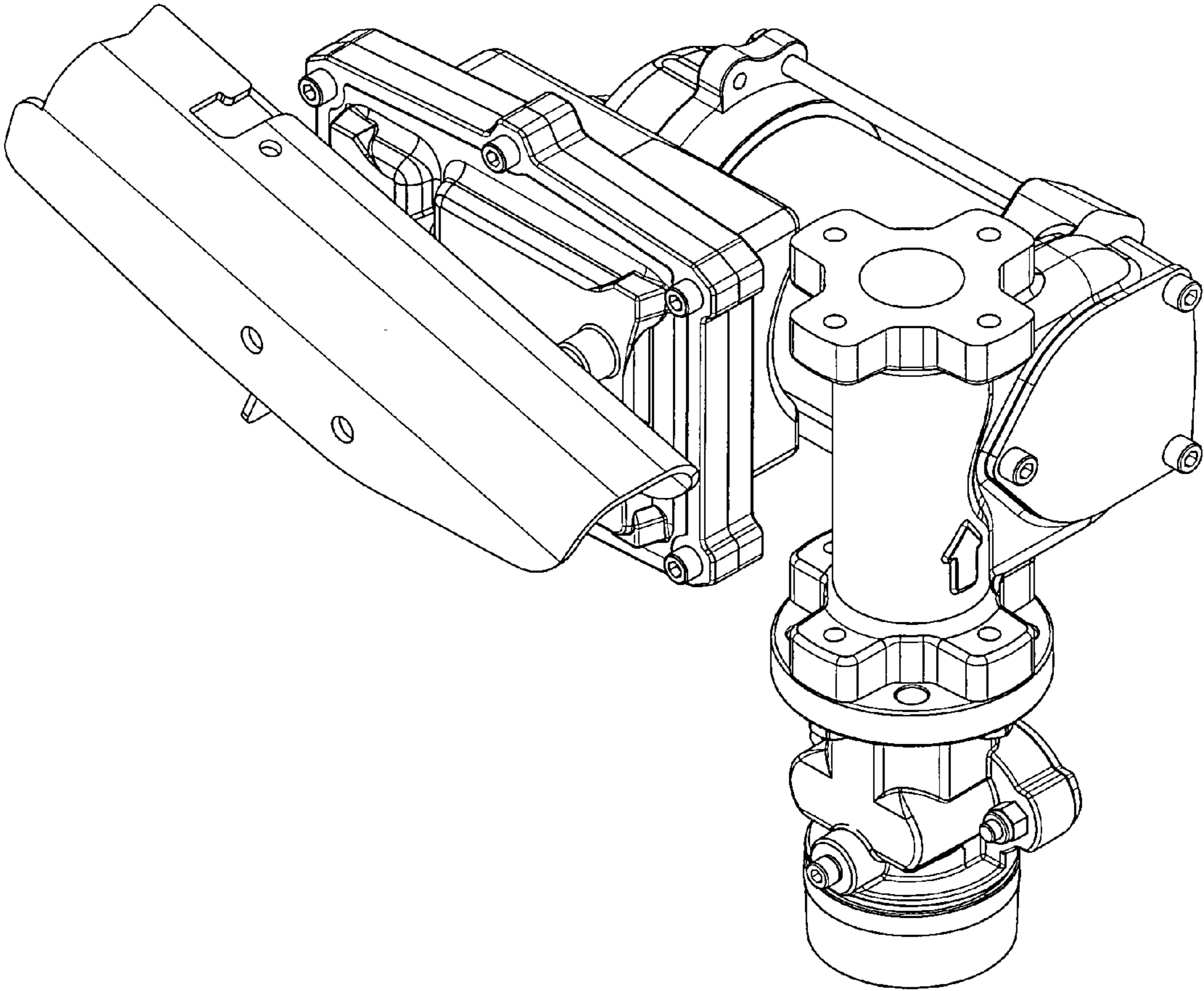


Fig. 8

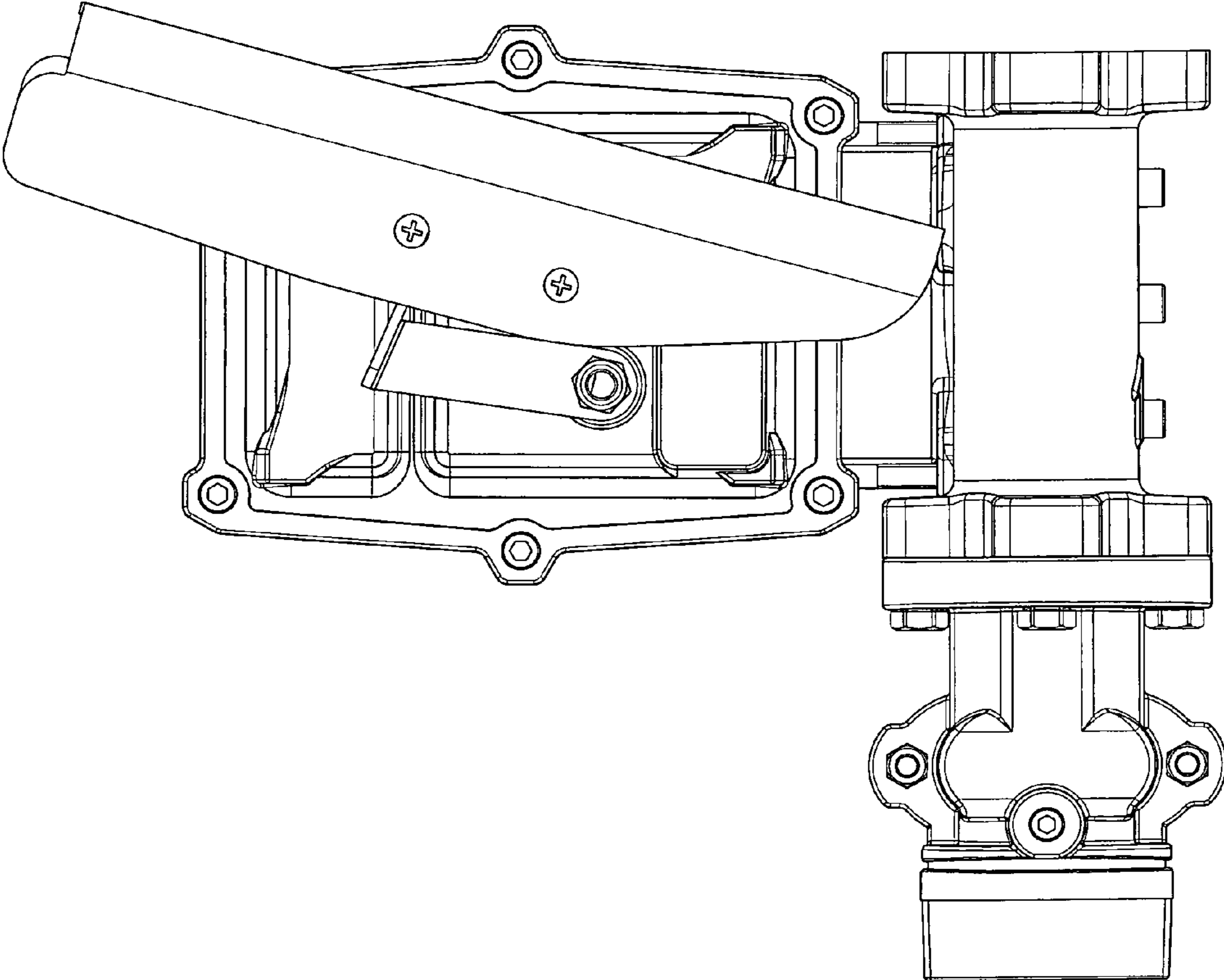


Fig. 9

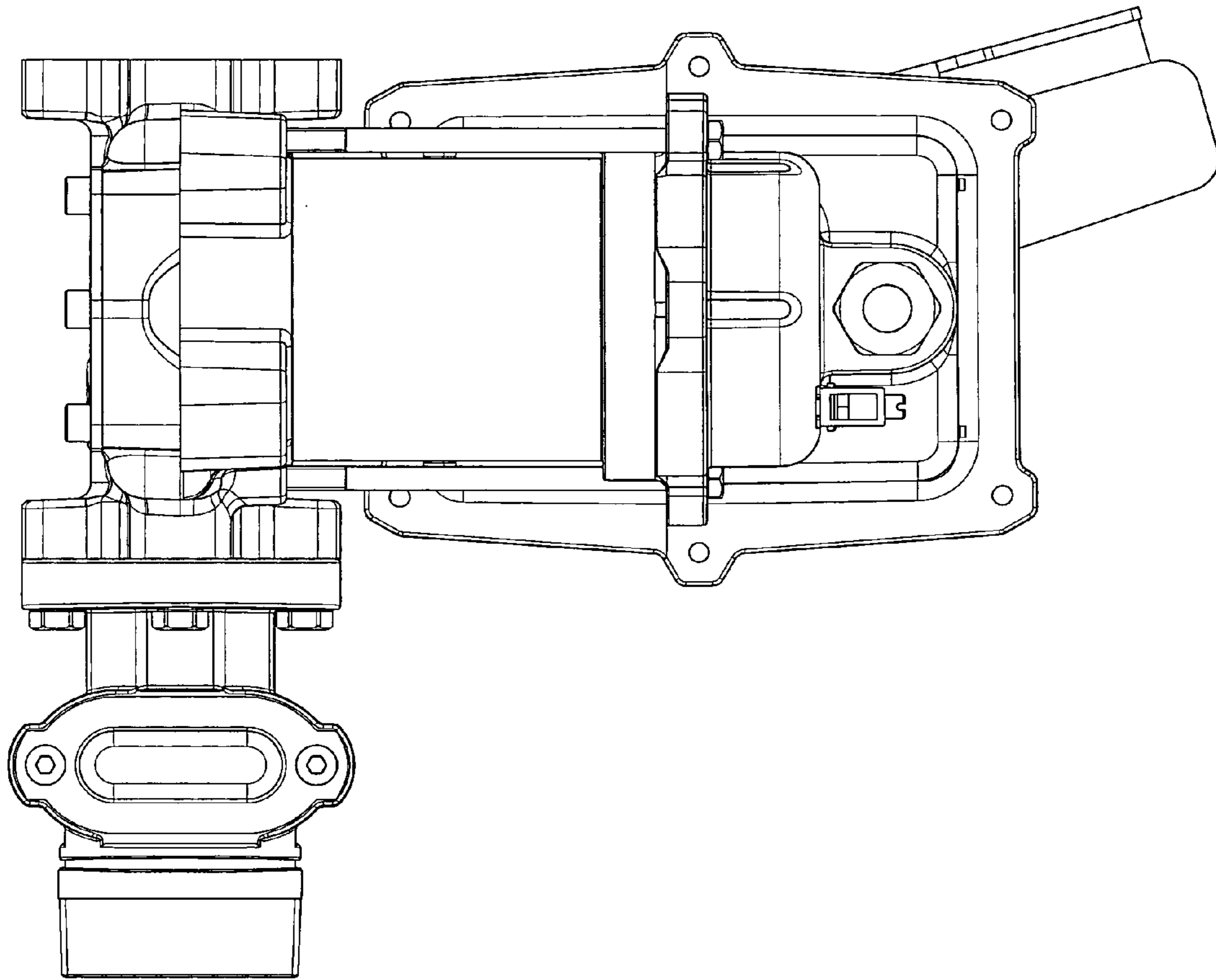


Fig. 10

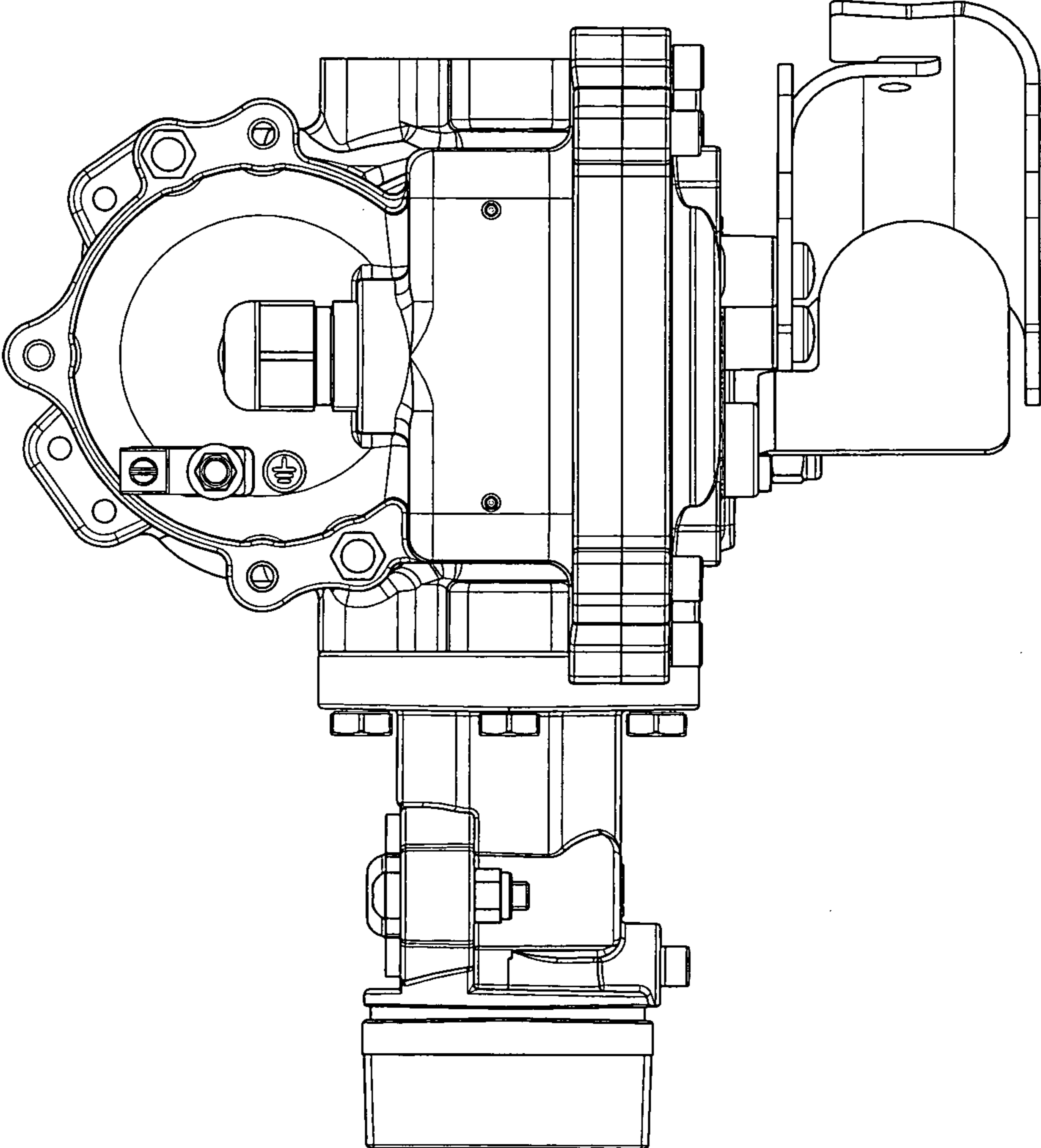


Fig. 11

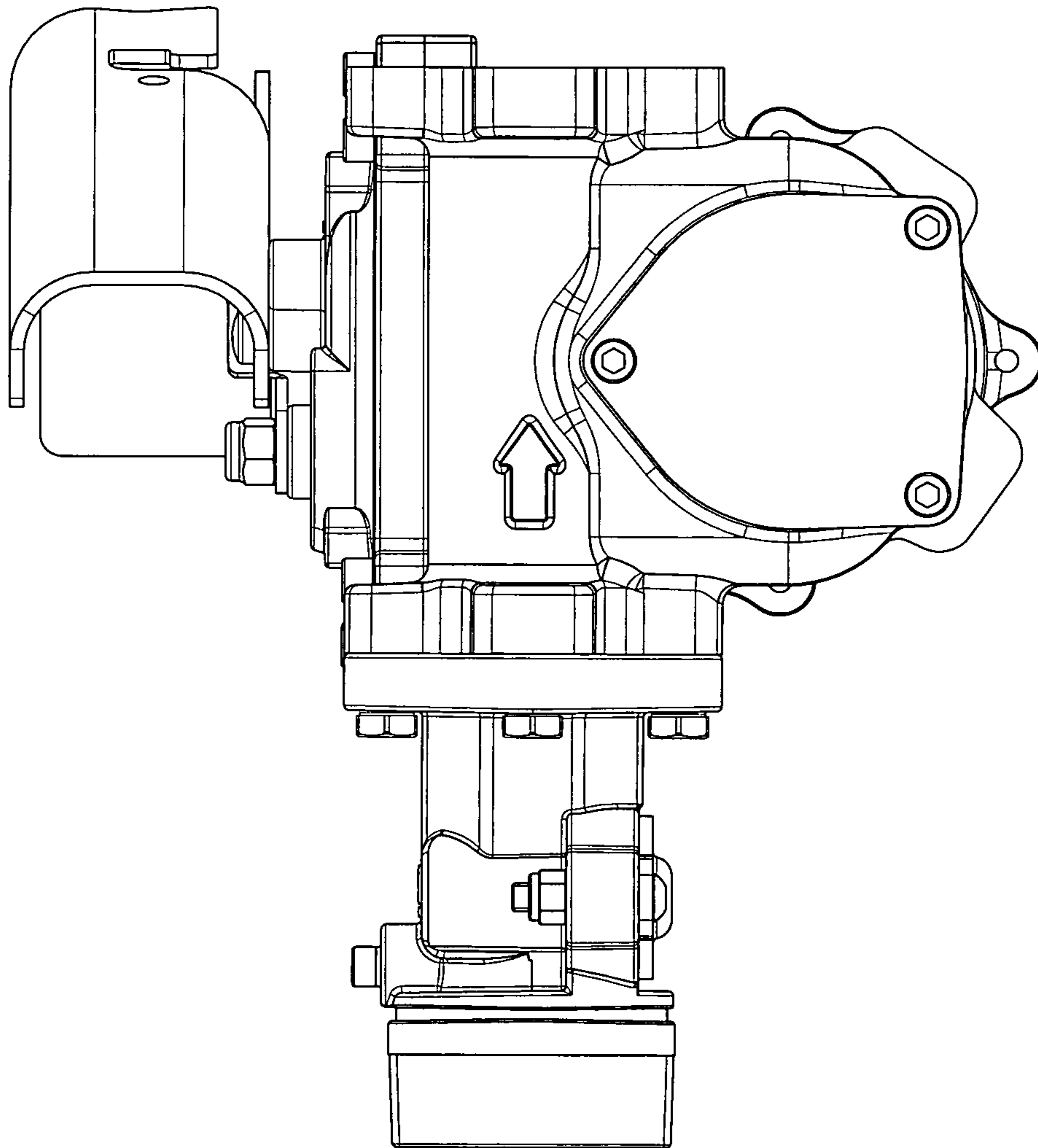


Fig. 12

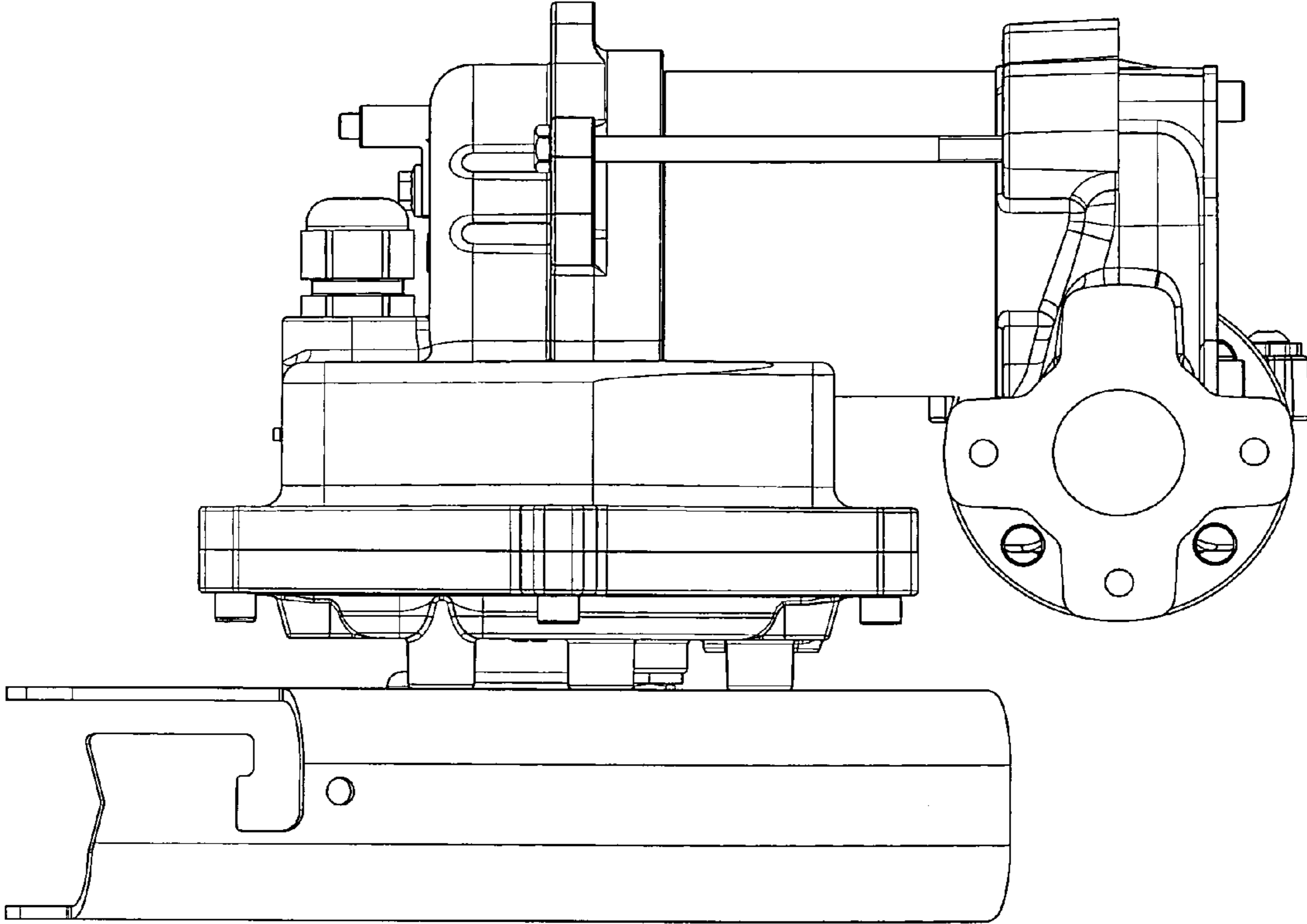


Fig. 13

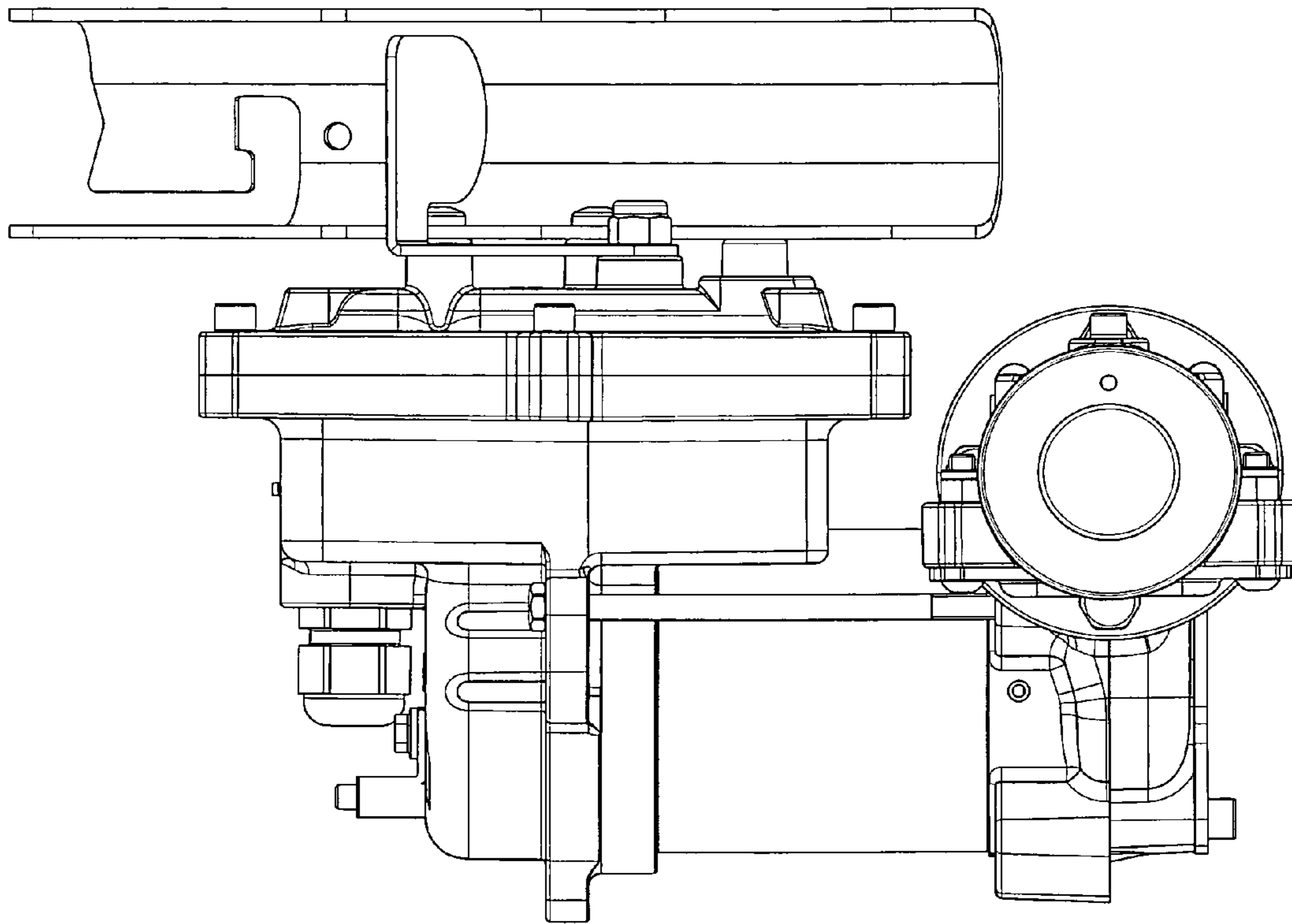


Fig. 14