



US00D682883S

(12) **United States Design Patent**  
**Turek**

(10) **Patent No.:** **US D682,883 S**

(45) **Date of Patent:** **\*\* \*May 21, 2013**

(54) **MOUNTING BRACKET FOR MARINE EQUIPMENT**

D520,022 S \* 5/2006 Nakamura et al. .... D15/4  
D533,877 S \* 12/2006 Nakamura et al. .... D15/4  
2010/0032545 A1\* 2/2010 Bernloehr et al. .... 248/640

(75) Inventor: **Craig E. Turek**, Good Thunder, MN (US)

(73) Assignee: **Johnson Outdoors Inc.**, Racine, WI (US)

(\* ) Notice: This patent is subject to a terminal disclaimer.

(\*\*) Term: **14 Years**

(21) Appl. No.: **29/423,436**

(22) Filed: **May 31, 2012**

(51) **LOC (9) Cl.** ..... **15-01**

(52) **U.S. Cl.**  
USPC ..... **D15/4**

(58) **Field of Classification Search** ..... D15/1-5;  
D12/300, 317; D8/349, 354, 363, 373, 380;  
248/640-643, 351, 352, 354.4, 637, 503,  
248/300; 440/49, 50, 62, 52-53, 64, 55,  
440/56, 58, 3, 4, 6, 7, 111, 900; 290/42,  
290/46, 54; 29/428

See application file for complete search history.

(56) **References Cited**

**U.S. PATENT DOCUMENTS**

D201,263 S \* 6/1965 Chambers ..... D8/354  
D272,359 S \* 1/1984 Hall et al. .... D15/4  
D520,021 S \* 5/2006 Nakamura et al. .... D15/4

**OTHER PUBLICATIONS**

U.S. Appl. No. 13/483,239, filed May 30, 2012, Craig E. Turek.  
U.S. Appl. No. 29/423,424, filed May 31, 2012, Craig E. Turek.  
U.S. Appl. No. 29/423,429, filed May 31, 2012, Craig E. Turek.

\* cited by examiner

*Primary Examiner* — T. Chase Nelson

*Assistant Examiner* — Ania Aman

(74) *Attorney, Agent, or Firm* — Reinhart Boerner Van Deuren P.C.

(57) **CLAIM**

I claim the ornamental design for the mounting bracket for marine equipment, as shown and described.

**DESCRIPTION**

FIG. 1 is a perspective view of the mounting bracket for marine equipment:

FIG. 2 is a front view thereof;

FIG. 3 is a back view thereof;

FIG. 4 is a top view thereof;

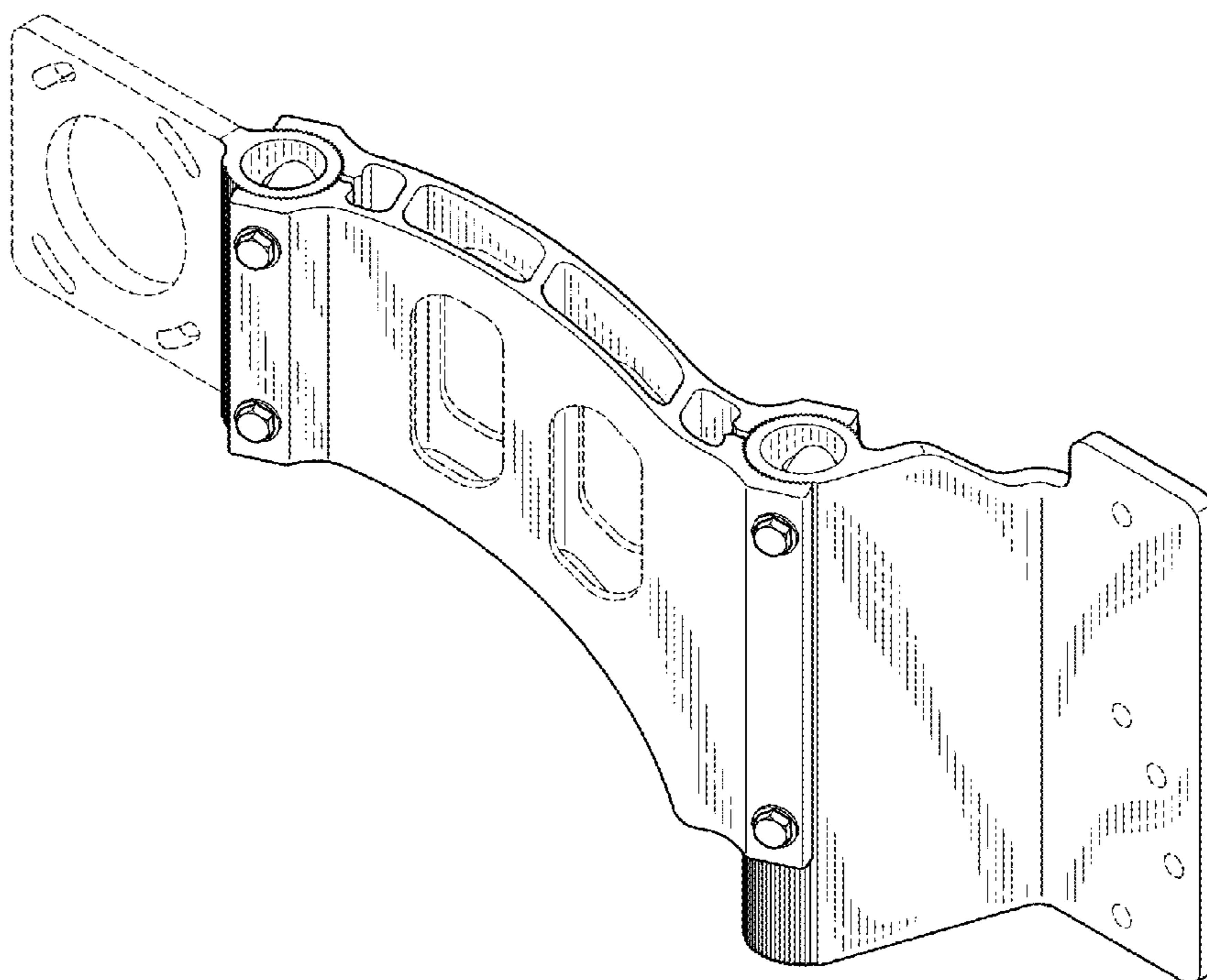
FIG. 5 is a bottom view thereof;

FIG. 6 is a side view thereof; and,

FIG. 7 is a side view thereof showing the side opposite that shown in FIG. 6.

The broken lines shown in the drawings are for the purpose of illustrating portions of the article that form no part of the claimed design.

**1 Claim, 4 Drawing Sheets**



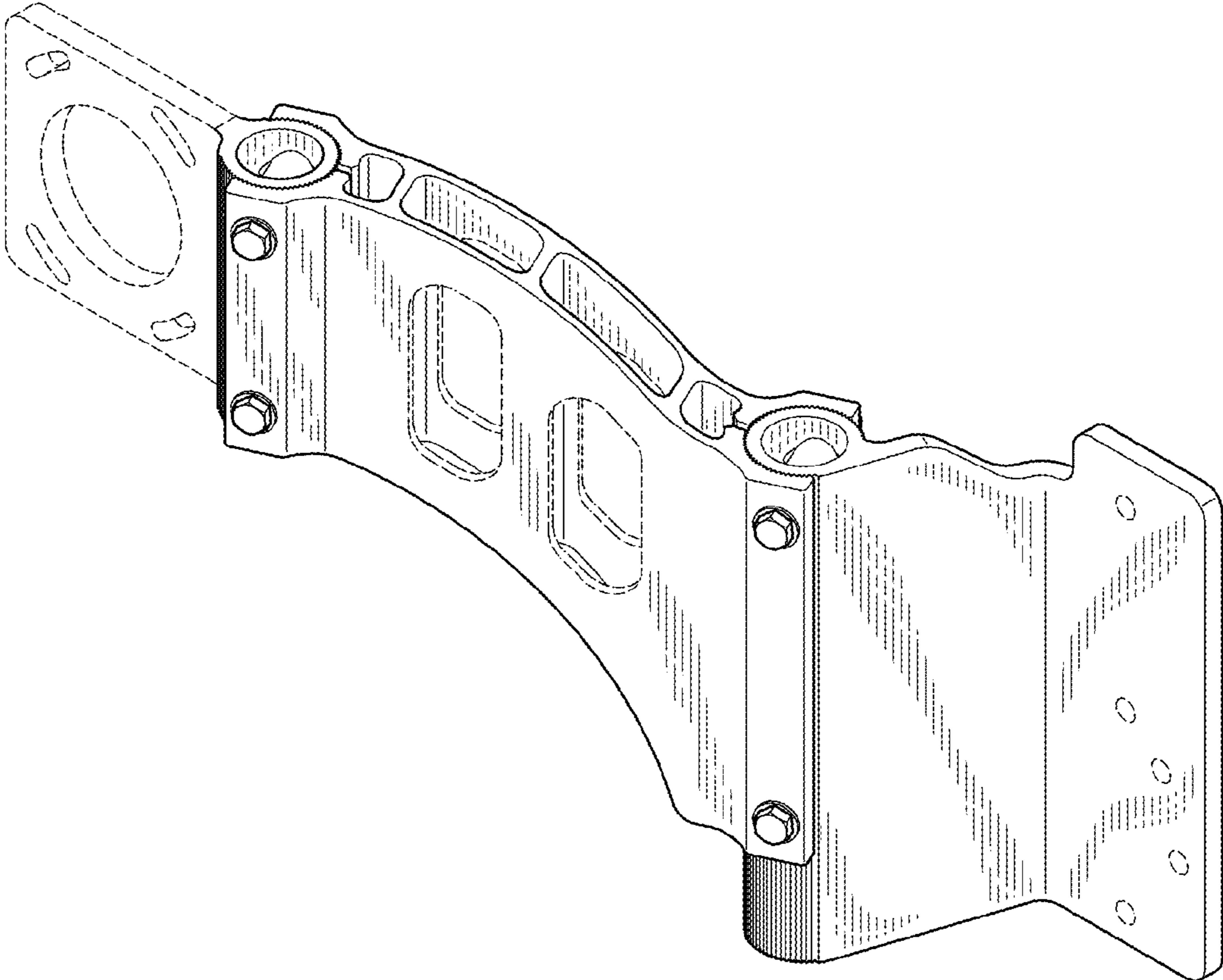


FIG. 1

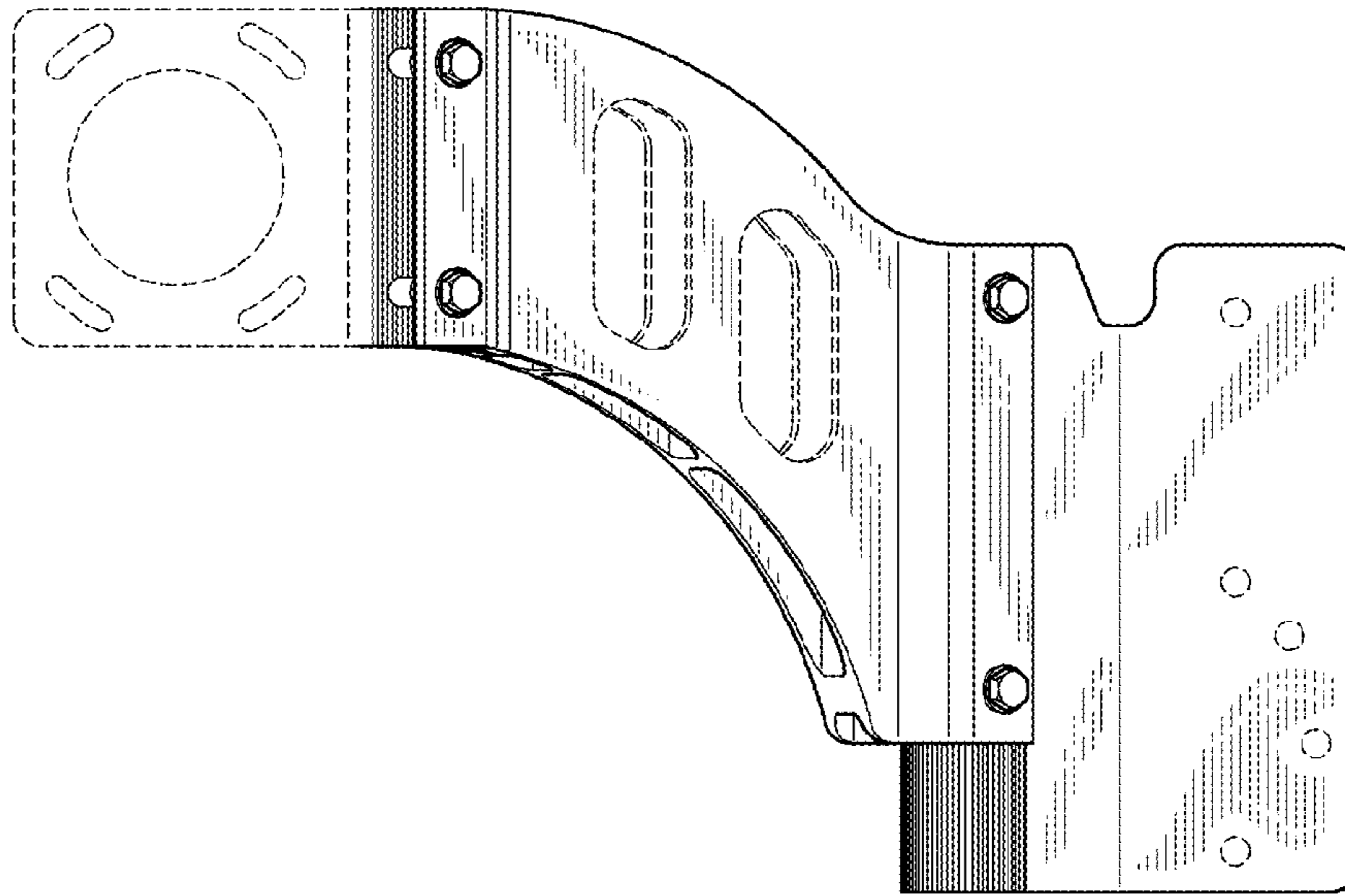


FIG. 2

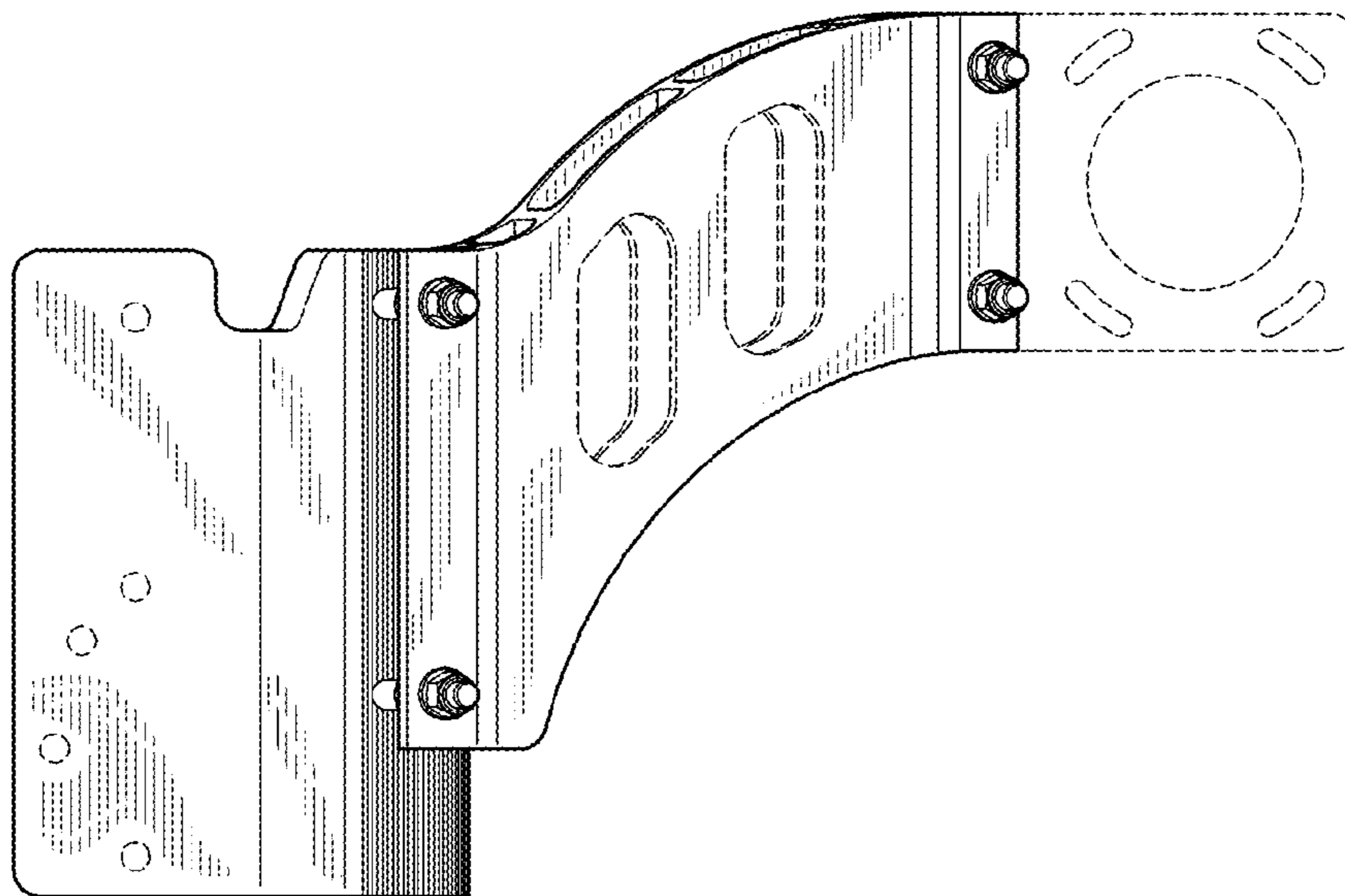


FIG. 3

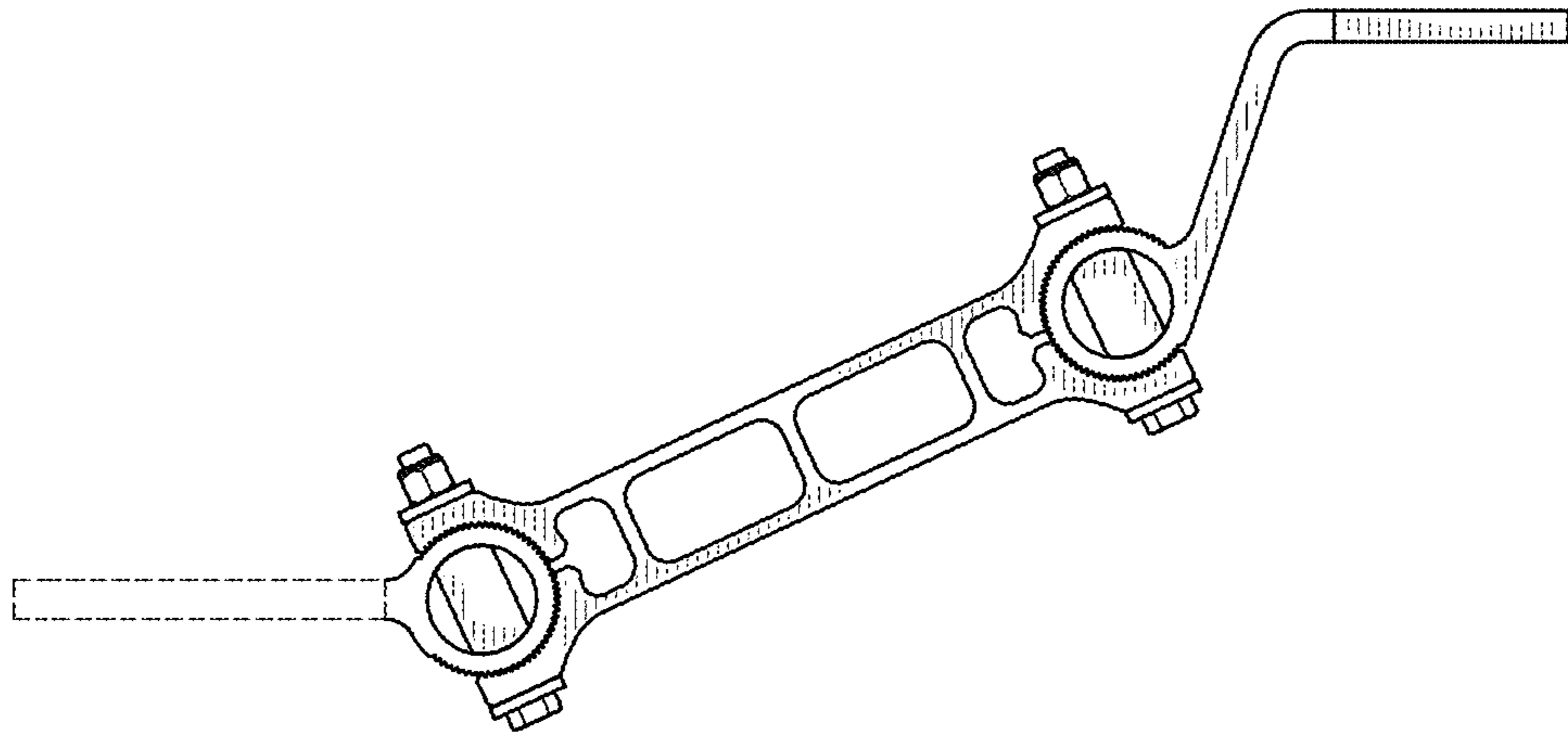


FIG. 4

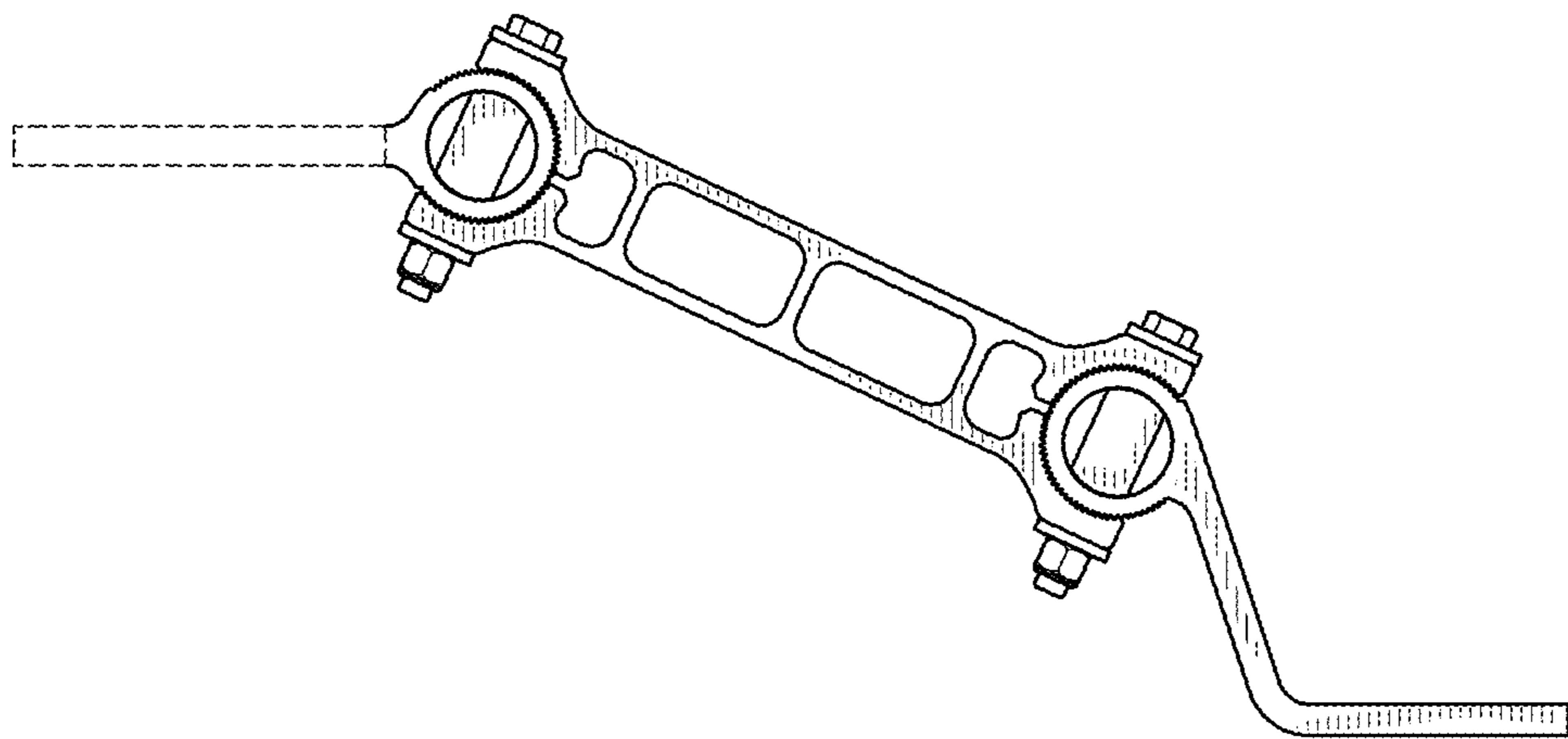


FIG. 5

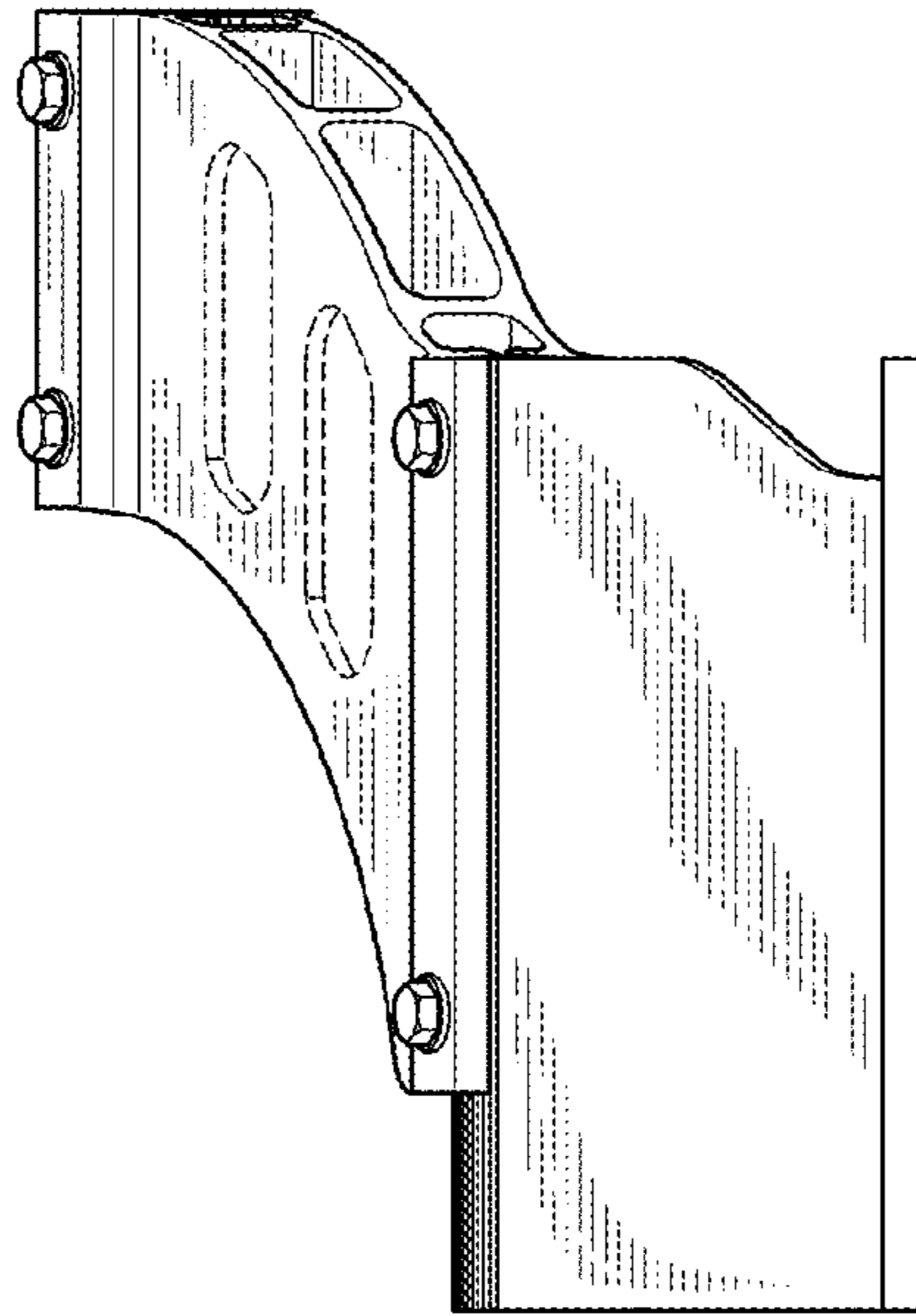


FIG. 6

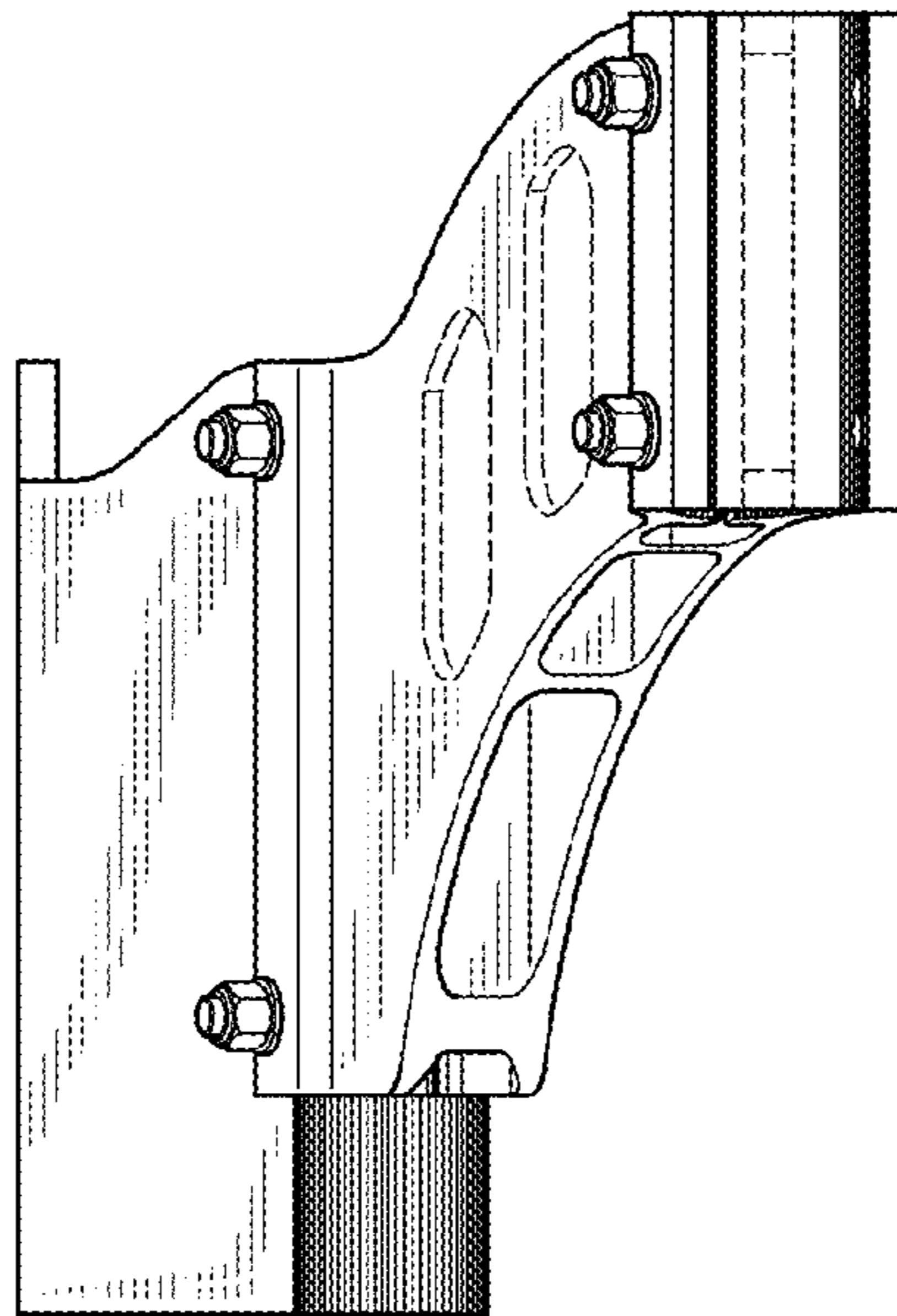


FIG. 7