



US00D682854S

(12) **United States Design Patent**  
**Kanalakis, Jr. et al.**

(10) **Patent No.:** **US D682,854 S**  
(45) **Date of Patent:** **\*\* \*May 21, 2013**

(54) **DISPLAY SCREEN FOR GRAPHICAL USER INTERFACE**

(75) Inventors: **John M. Kanalakis, Jr.**, San Jose, CA (US); **Beate Fritsch**, Oakland, CA (US); **Hal Rucker**, Hillsborough, CA (US); **Peter D. Andrea**, Oakland, CA (US)

(73) Assignee: **Cisco Technology, Inc.**, San Jose, CA (US)

(\*) Notice: This patent is subject to a terminal disclaimer.

(\*\*) Term: **14 Years**

(21) Appl. No.: **29/381,264**

(22) Filed: **Dec. 16, 2010**

(51) **LOC (9) Cl.** ..... **14-04**

(52) **U.S. Cl.**  
USPC ..... **D14/486**; D14/490; D14/492; D14/495

(58) **Field of Classification Search** ..... D14/485-488;  
715/751-753, 756, 758, 759, 772, 792, 808-809,  
715/817, 821-822, 825, 833-834, 840-841,  
715/843, 861, 864, 978; 348/14.03  
See application file for complete search history.

(56) **References Cited**

**U.S. PATENT DOCUMENTS**

2,911,462	A	11/1959	Brady	
D212,798	S	* 11/1968	Dreyfuss	..... D20/29
3,793,489	A	2/1974	Sank	
3,909,121	A	9/1975	De Mesquita Cardoso	
D270,271	S	8/1983	Steele	
4,400,724	A	8/1983	Fields	
4,473,285	A	9/1984	Winter	
4,494,144	A	1/1985	Brown	
4,750,123	A	6/1988	Christian	
4,815,132	A	3/1989	Minami	

(Continued)

**FOREIGN PATENT DOCUMENTS**

CN	101953158(A)	1/2011
CN	102067593	5/2011

(Continued)

**OTHER PUBLICATIONS**

EPO Nov. 3, 2011 Communication from European Application EP10710949.8; 2 pages.

(Continued)

*Primary Examiner* — Karen E Kearney

(74) *Attorney, Agent, or Firm* — Patent Capital Group

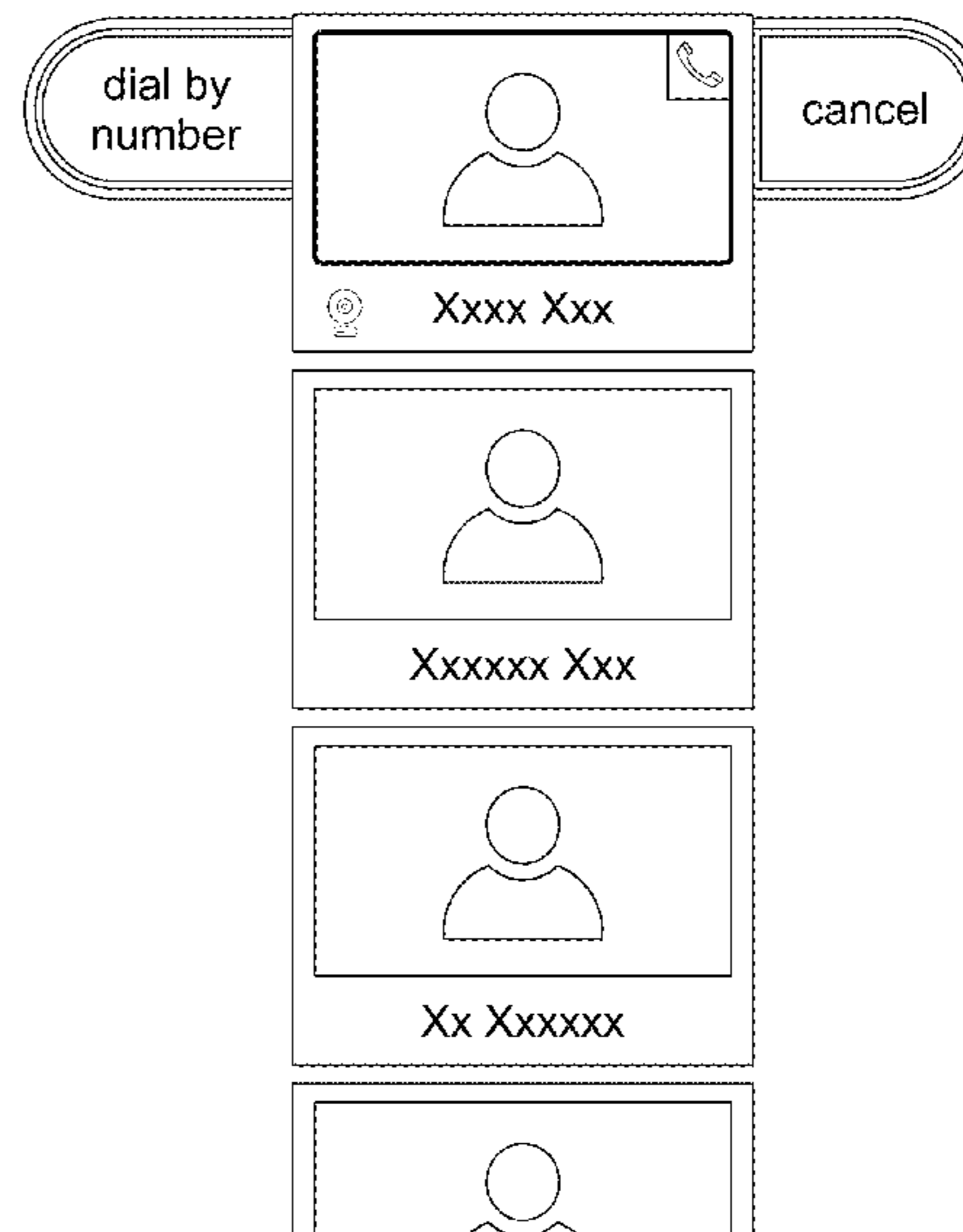
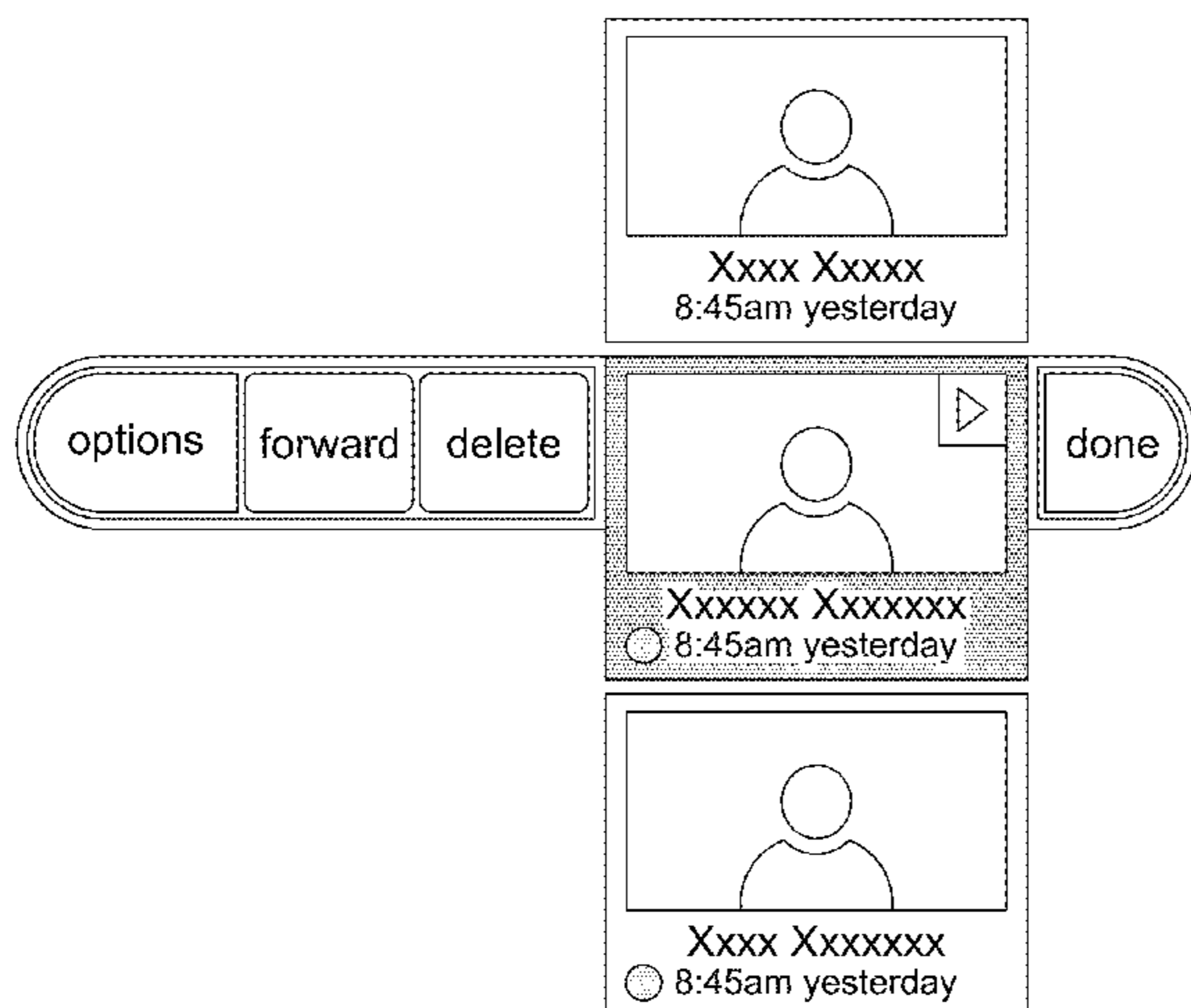
(57) **CLAIM**

The ornamental design for an display screen for graphical user interface, as shown and described.

**DESCRIPTION**

FIG. 1 is a perspective view of a display screen with graphical user interface showing the new design;  
 FIG. 2 is a front view thereof, the graphical user interface shown separate and enlarged for ease of illustration;  
 FIG. 3 is a perspective view of a display screen with graphical user interface, according to a second embodiment;  
 FIG. 4 is a front view of the second embodiment, the graphical user interface shown separate and enlarged for ease of illustration;  
 FIG. 5 is a perspective view of a display screen with graphical user interface, according to a third embodiment; and,  
 FIG. 6 is a front view of the third embodiment, the graphical user interface shown separate and enlarged for ease of illustration.  
 The broken line showings of the display screen in FIGS. 1, 3, and 5 are for the purpose of illustrating environmental structure and form no part of the claimed design.

**1 Claim, 6 Drawing Sheets**



# US D682,854 S

Page 2

U.S. PATENT DOCUMENTS					
4,827,253	A	5/1989 Maltz	6,148,092	A	11/2000 Qian
4,853,764	A	8/1989 Sutter	D435,561	S	12/2000 Pettigrew et al.
4,890,314	A	12/1989 Judd et al.	6,167,162	A	12/2000 Jacquin et al.
4,961,211	A	10/1990 Tsugane et al.	6,172,703	B1	1/2001 Lee
5,003,532	A	3/1991 Ashida et al.	6,173,069	B1	1/2001 Daly et al.
5,020,098	A	5/1991 Celli	D438,873	S	3/2001 Wang et al.
5,033,969	A	7/1991 Kamimura	D440,575	S	4/2001 Wang et al.
5,136,652	A	8/1992 Jibbe et al.	6,211,870	B1	4/2001 Foster
5,187,571	A	2/1993 Braun et al.	6,226,035	B1	5/2001 Korein et al.
5,200,818	A	4/1993 Neta et al.	6,243,130	B1	6/2001 McNelley et al.
5,243,697	A	9/1993 Hoeber et al.	6,249,318	B1	6/2001 Girod et al.
5,249,035	A	9/1993 Yamanaka	6,256,400	B1	7/2001 Takata et al.
5,255,211	A	10/1993 Redmond	6,259,469	B1	7/2001 Ejima et al.
D341,848	S *	11/1993 Bigelow et al. .... D18/27	6,266,082	B1 *	7/2001 Yonezawa et al. .... 348/159
5,268,734	A	12/1993 Parker et al.	6,266,098	B1	7/2001 Cove et al.
5,317,405	A	5/1994 Kuriki et al.	D446,790	S *	8/2001 Wang et al. .... D14/486
5,337,363	A	8/1994 Platt	6,285,392	B1	9/2001 Satoda et al.
5,347,363	A	9/1994 Yamanaka	6,292,188	B1 *	9/2001 Carlson et al. .... 715/854
5,359,362	A	10/1994 Lewis et al.	6,292,575	B1	9/2001 Bortolussi et al.
D357,468	S	4/1995 Rodd	D450,323	S *	11/2001 Moore et al. .... D14/485
5,406,326	A	4/1995 Mowry	D453,167	S	1/2002 Hasegawa et al.
5,423,554	A	6/1995 Davis	D454,574	S	3/2002 Wasko et al.
5,446,834	A	8/1995 Deering	6,356,589	B1	3/2002 Gebler et al.
5,448,287	A	9/1995 Hull	6,380,539	B1	4/2002 Edgar
5,467,401	A	11/1995 Nagamitsu et al.	6,396,514	B1	5/2002 Kohno
5,495,576	A	2/1996 Ritchey	6,424,377	B1	7/2002 Driscoll, Jr.
5,502,481	A	3/1996 Dentinger et al.	D461,191	S	8/2002 Hickey et al.
5,502,726	A	3/1996 Fischer	6,430,222	B1	8/2002 Okadia
5,532,737	A	7/1996 Braun	6,459,451	B2	10/2002 Driscoll et al.
5,541,639	A	7/1996 Takatsuki et al.	6,462,767	B1 *	10/2002 Obata et al. .... 348/14.08
5,541,773	A	7/1996 Kamo et al.	6,493,032	B1	12/2002 Wallerstein et al.
5,570,372	A	10/1996 Shaffer	D468,322	S	1/2003 Walker et al.
5,572,248	A	11/1996 Allen et al.	6,507,356	B1	1/2003 Jackel et al.
5,625,410	A	4/1997 Washino et al.	D470,153	S	2/2003 Billmaier et al.
5,666,153	A	9/1997 Copeland	6,515,695	B1	2/2003 Sato et al.
5,675,374	A	10/1997 Kohda	D474,194	S	5/2003 Kates et al.
5,689,663	A	11/1997 Williams	6,577,333	B2	6/2003 Tai et al.
5,708,787	A	1/1998 Nakano et al.	6,583,808	B2	6/2003 Boulanger et al.
5,713,033	A	1/1998 Sado	6,590,603	B2	7/2003 Sheldon et al.
5,715,377	A	2/1998 Fukushima et al.	6,591,314	B1	7/2003 Colbath
D391,558	S *	3/1998 Marshall et al. .... D14/486	6,593,955	B1	7/2003 Falcon
D391,935	S	3/1998 Sakaguchi et al.	6,593,956	B1	7/2003 Potts et al.
D392,269	S *	3/1998 Mason et al. .... D14/491	D478,090	S	8/2003 Nguyen et al.
5,729,471	A	3/1998 Jain et al.	D478,912	S	8/2003 Johnson
5,737,011	A	4/1998 Lukacs	6,611,281	B2	8/2003 Strubbe
5,745,116	A	4/1998 Pisutha-Arnond	D482,368	S	11/2003 den Toonder et al.
5,748,121	A	5/1998 Romriell	6,680,856	B2	1/2004 Schreiber
D395,292	S	6/1998 Vu	6,693,663	B1	2/2004 Harris
5,760,826	A	6/1998 Nayar	6,694,094	B2	2/2004 Partynski et al.
D396,455	S	7/1998 Bier	6,704,048	B1	3/2004 Malkin et al.
D396,456	S	7/1998 Bier	6,710,797	B1	3/2004 McNelley et al.
5,790,182	A	8/1998 Hilaire	6,751,106	B2	6/2004 Zhang et al.
5,796,724	A	8/1998 Rajamani et al.	D492,692	S	7/2004 Fallon et al.
D397,687	S	9/1998 Arora et al.	6,763,226	B1	7/2004 McZeal
D398,595	S *	9/1998 Baer et al. .... D14/486	6,768,722	B1	7/2004 Katseff et al.
5,815,196	A	9/1998 Alshawi	D494,186	S	8/2004 Johnson
D399,501	S	10/1998 Arora et al.	6,771,303	B2	8/2004 Zhang et al.
5,818,514	A	10/1998 Duttweiler et al.	6,774,927	B1	8/2004 Cohen et al.
5,821,985	A	10/1998 Iizawa	D495,715	S	9/2004 Gildred
5,825,362	A	10/1998 Retter	6,795,108	B2	9/2004 Jarboe et al.
D406,124	S *	2/1999 Newton et al. .... D14/491	6,795,558	B2	9/2004 Matsuo et al.
5,894,321	A	4/1999 Downs et al.	6,798,834	B1	9/2004 Murakami et al.
D409,243	S	5/1999 Lonergan	6,806,898	B1	10/2004 Toyama et al.
D410,447	S	6/1999 Chang	6,807,280	B1	10/2004 Stroud et al.
5,929,857	A	7/1999 Dinallo et al.	6,809,724	B1	10/2004 Shiraishi et al.
5,940,118	A	8/1999 Van Schyndel	6,844,990	B2	1/2005 Artonne et al.
5,940,530	A	8/1999 Fukushima et al.	6,853,398	B2	2/2005 Malzbender et al.
5,953,052	A	9/1999 McNelley et al.	6,867,798	B1	3/2005 Wada et al.
5,956,100	A	9/1999 Gorski	6,882,358	B1	4/2005 Schuster et al.
5,996,003	A	11/1999 Namikata et al.	6,888,358	B2	5/2005 Lechner et al.
D419,543	S	1/2000 Warren et al.	D506,208	S	6/2005 Jewitt et al.
D420,995	S	2/2000 Imamura et al.	6,909,438	B1	6/2005 White et al.
6,069,648	A *	5/2000 Suso et al. .... 348/14.02	6,911,995	B2	6/2005 Ivanov et al.
6,069,658	A	5/2000 Watanabe	6,917,271	B2	7/2005 Zhang et al.
6,097,390	A	8/2000 Marks	6,922,718	B2	7/2005 Chang
6,101,113	A	8/2000 Paice	6,925,613	B2	8/2005 Gibson
6,124,896	A	9/2000 Kurashige	6,963,653	B1	11/2005 Miles
6,137,485	A	10/2000 Kawai et al.	D512,723	S	12/2005 Wirz
			6,980,526	B2	12/2005 Jang et al.

# US D682,854 S

6,989,754 B2	1/2006	Kisacanin et al.	D591,306 S *	4/2009	Setiawan et al. ....	D14/486
6,989,836 B2	1/2006	Ramsey	7,518,051 B2	4/2009	Redmann	
6,989,856 B2	1/2006	Firestone et al.	D592,621 S	5/2009	Han	
6,990,086 B1	1/2006	Holur et al.	7,529,425 B2	5/2009	Kitamura et al.	
7,002,973 B2	2/2006	MeLampy et al.	7,532,230 B2	5/2009	Culbertson et al.	
7,028,092 B2	4/2006	MeLampy et al.	7,532,232 B2	5/2009	Shah et al.	
7,030,890 B1	4/2006	Jouet et al.	7,534,056 B2	5/2009	Cross et al.	
7,031,311 B2	4/2006	MeLampy et al.	7,545,761 B1	6/2009	Kalbag	
7,036,092 B2 *	4/2006	Sloo et al. ....	7,551,432 B1	6/2009	Bockheim et al.	
D521,521 S	5/2006	Jewitt et al.	7,555,141 B2	6/2009	Mori	
7,043,528 B2	5/2006	Schmitt et al.	D595,728 S	7/2009	Scheibe et al.	
7,046,862 B2	5/2006	Ishizaka et al.	D596,646 S	7/2009	Wani	
D522,559 S	6/2006	Naito et al.	7,575,537 B2	8/2009	Ellis	
7,057,636 B1	6/2006	Cohen-Solal et al.	D602,033 S *	10/2009	Vu et al. ....	D14/485
7,057,662 B2	6/2006	Malzbender	D602,453 S	10/2009	Ding et al.	
7,058,690 B2	6/2006	Maehiro	D602,495 S	10/2009	Um et al.	
7,061,896 B2	6/2006	Jabbari et al.	7,610,352 B2	10/2009	AlHusseini et al.	
D524,321 S	7/2006	Hally et al.	7,610,599 B1	10/2009	Nashida et al.	
7,072,504 B2	7/2006	Miyano et al.	7,616,226 B2	11/2009	Roessler et al.	
7,080,157 B2	7/2006	McCanne	D608,788 S	1/2010	Meziere	
7,092,002 B2	8/2006	Ferren et al.	7,646,419 B2	1/2010	Cernasov	
7,111,045 B2	9/2006	Kato et al.	D610,560 S	2/2010	Chen	
7,131,135 B1	10/2006	Virag et al.	7,661,075 B2 *	2/2010	Lahdesmaki ....	715/841
7,136,651 B2	11/2006	Kalavade	7,664,750 B2	2/2010	Frees et al.	
7,139,767 B1	11/2006	Taylor et al.	D612,394 S	3/2010	La et al.	
D533,525 S	12/2006	Arie	7,676,763 B2	3/2010	Rummel	
D533,852 S	12/2006	Ma	7,679,639 B2	3/2010	Harrell et al.	
D534,511 S	1/2007	Maeda et al.	7,692,680 B2	4/2010	Graham	
D535,954 S	1/2007	Hwang et al.	7,707,247 B2	4/2010	Dunn et al.	
D536,001 S	1/2007	Armstrong et al.	D615,514 S	5/2010	Mellingen et al.	
7,158,674 B2	1/2007	Suh	7,710,448 B2	5/2010	De Beer et al.	
7,161,942 B2	1/2007	Chen et al.	7,710,450 B2	5/2010	Dhuey et al.	
7,164,435 B2 *	1/2007	Wang et al. ....	7,715,657 B2	5/2010	Lin et al.	
D536,340 S	2/2007	Jost et al.	7,719,605 B2	5/2010	Hirasawa et al.	
D539,243 S	3/2007	Chiu et al.	7,719,662 B2	5/2010	Bamji et al.	
D540,336 S	4/2007	Kim et al.	7,720,277 B2	5/2010	Hattori	
D541,773 S	5/2007	Chong et al.	D617,806 S	6/2010	Christie et al.	
D542,247 S	5/2007	Kinoshita et al.	D619,608 S	7/2010	Meziere	
D544,494 S	6/2007	Cummins	D619,609 S	7/2010	Meziere	
D545,314 S	6/2007	Kim	D619,610 S	7/2010	Meziere	
D547,320 S	7/2007	Kim et al.	D619,611 S	7/2010	Meziere	
7,239,338 B2	7/2007	Krisbergh et al.	7,752,568 B2	7/2010	Park et al.	
7,246,118 B2	7/2007	Chastain et al.	D621,410 S	8/2010	Verfuert et al.	
D548,742 S *	8/2007	Fletcher ....	D626,102 S	10/2010	Buzzard et al.	
7,254,785 B2	8/2007	Reed	D626,103 S	10/2010	Buzzard et al.	
D550,635 S	9/2007	DeMaio et al.	D628,175 S	11/2010	Desai et al.	
D551,184 S	9/2007	Kanou et al.	7,839,434 B2	11/2010	Ciudad et al.	
D551,672 S	9/2007	Wirz	7,861,189 B2	12/2010	Watanabe et al.	
7,269,292 B2	9/2007	Steinberg	D631,891 S	2/2011	Vance et al.	
7,274,555 B2	9/2007	Kim et al.	D632,698 S *	2/2011	Judy et al. ....	D14/486
D554,664 S	11/2007	Van Dongen et al.	7,889,851 B2	2/2011	Shah et al.	
D555,610 S	11/2007	Yang et al.	7,890,888 B2 *	2/2011	Glasgow et al. ....	715/811
D559,265 S *	1/2008	Armstrong et al. ....	7,894,531 B1	2/2011	Cetin et al.	
D560,225 S	1/2008	Park et al.	D634,726 S	3/2011	Harden et al.	
D560,681 S *	1/2008	Fletcher ....	D634,753 S *	3/2011	Loretan et al. ....	D14/488
D561,130 S	2/2008	Won et al.	D635,569 S	4/2011	Park	
7,336,299 B2	2/2008	Kostrzewski	D635,975 S	4/2011	Seo et al.	
D563,965 S	3/2008	Van Dongen et al.	D637,199 S	5/2011	Brinda	
D564,530 S	3/2008	Kim et al.	D638,025 S	5/2011	Saft et al.	
D567,202 S	4/2008	Rieu Piquet	D638,850 S	5/2011	Woods et al.	
7,352,809 B2	4/2008	Wenger et al.	D638,853 S *	5/2011	Brinda ....	D14/488
7,353,279 B2	4/2008	Durvasula et al.	D640,268 S	6/2011	Jones et al.	
7,353,462 B2 *	4/2008	Caffarelli ....	D642,184 S	7/2011	Brouwers et al.	
7,359,731 B2	4/2008	Choksi	7,990,422 B2	8/2011	Ahiska et al.	
7,399,095 B2	7/2008	Rondinelli	7,996,775 B2	8/2011	Cole et al.	
D574,392 S	8/2008	Kwag et al.	8,000,559 B2	8/2011	Kwon	
7,411,975 B1	8/2008	Mohaban	D646,690 S *	10/2011	Thai et al. ....	D14/486
7,413,150 B1	8/2008	Hsu	D648,734 S	11/2011	Christie et al.	
7,428,000 B2	9/2008	Cutler et al.	D649,556 S *	11/2011	Judy et al. ....	D14/486
D578,496 S	10/2008	Leonard	8,077,857 B1	12/2011	Lambert	
7,440,615 B2	10/2008	Gong et al.	D652,050 S	1/2012	Chaudhri	
D580,451 S	11/2008	Steele et al.	D652,429 S	1/2012	Steele et al.	
7,471,320 B2	12/2008	Malkin et al.	D654,926 S	2/2012	Lipman et al.	
D585,453 S	1/2009	Chen et al.	D656,513 S *	3/2012	Thai et al. ....	D14/487
7,477,322 B2 *	1/2009	Hsieh ....	8,132,100 B2	3/2012	Seo et al.	
7,477,657 B1	1/2009	Murphy et al.	8,135,068 B1	3/2012	Alvarez	
7,480,870 B2	1/2009	Anzures et al.	D656,948 S	4/2012	Knudsen et al.	
D588,560 S	3/2009	Mellingen et al.	D660,313 S	5/2012	Williams et al.	
D589,053 S	3/2009	Steele et al.	8,179,419 B2	5/2012	Girish et al.	

# US D682,854 S

8,209,632 B2	6/2012	Reid et al.	2006/0104470 A1	5/2006	Akino
8,219,920 B2	7/2012	Langoulant et al.	2006/0120307 A1	6/2006	Sahashi
D664,985 S	8/2012	Tanghe et al.	2006/0120568 A1	6/2006	McConville et al.
D669,086 S *	10/2012	Boyer et al. .... D14/485	2006/0125691 A1	6/2006	Menache et al.
D669,088 S *	10/2012	Boyer et al. .... D14/486	2006/0126878 A1	6/2006	Takumai et al.
D669,913 S	10/2012	Maggiotto et al.	2006/0152489 A1	7/2006	Sweetser et al.
8,302,020 B2	10/2012	Louch et al.	2006/0152575 A1	7/2006	Amiel et al.
D670,723 S	11/2012	Khan et al.	2006/0158509 A1	7/2006	Kenoyer et al.
D671,136 S	11/2012	Barnett et al.	2006/0168302 A1	7/2006	Boskovic et al.
D671,141 S	11/2012	Peters et al.	2006/0170769 A1	8/2006	Zhou
8,339,499 B2	12/2012	Ohuchi	2006/0181607 A1	8/2006	McNelley et al.
2002/0047892 A1	4/2002	Gonsalves	2006/0200518 A1	9/2006	Sinclair et al.
2002/0106120 A1	8/2002	Brandenburg et al.	2006/0233120 A1	10/2006	Eshel et al.
2002/0108125 A1	8/2002	Joao	2006/0256187 A1	11/2006	Sheldon et al.
2002/0113827 A1	8/2002	Perlman et al.	2006/0284786 A1	12/2006	Takano et al.
2002/0118890 A1	8/2002	Rondinelli	2006/0289772 A1	12/2006	Johnson et al.
2002/0131608 A1	9/2002	Lobb et al.	2007/0022388 A1	1/2007	Jennings
2002/0140804 A1	10/2002	Colmenarez et al.	2007/0039030 A1	2/2007	Romanowich et al.
2002/0149672 A1	10/2002	Clapp et al.	2007/0040903 A1	2/2007	Kawaguchi
2002/0163538 A1	11/2002	Shteyn	2007/0070177 A1	3/2007	Christensen
2002/0186528 A1	12/2002	Huang	2007/0074123 A1*	3/2007	Omura et al. .... 715/753
2003/0017872 A1	1/2003	Oishi et al.	2007/0080845 A1	4/2007	Amand
2003/0048218 A1	3/2003	Milnes et al.	2007/0112966 A1	5/2007	Eftis et al.
2003/0072460 A1	4/2003	Gonopolskiy et al.	2007/0120971 A1	5/2007	Kennedy
2003/0149724 A1	8/2003	Chang	2007/0121353 A1	5/2007	Zhang et al.
2003/0160861 A1	8/2003	Barlow et al.	2007/0140337 A1	6/2007	Lim et al.
2003/0179285 A1	9/2003	Naito	2007/0153712 A1	7/2007	Fry et al.
2003/0185303 A1	10/2003	Hall et al.	2007/0157119 A1*	7/2007	Bishop ..... 715/810
2003/0197687 A1	10/2003	Shetter	2007/0159523 A1	7/2007	Hillis et al.
2004/0003411 A1	1/2004	Nakai et al.	2007/0162866 A1*	7/2007	Matthews et al. .... 715/769
2004/0032906 A1	2/2004	Lillig	2007/0183661 A1	8/2007	El-Maleh et al.
2004/0038169 A1	2/2004	Mandelkern et al.	2007/0188597 A1	8/2007	Kenoyer et al.
2004/0039778 A1	2/2004	Read et al.	2007/0192381 A1	8/2007	Padmanabhan
2004/0061787 A1	4/2004	Liu et al.	2007/0206091 A1	9/2007	Dunn et al.
2004/0091232 A1	5/2004	Appling, III	2007/0206556 A1	9/2007	Yegani et al.
2004/0118984 A1	6/2004	Kim et al.	2007/0217406 A1	9/2007	Riedel et al.
2004/0119814 A1	6/2004	Clisham et al.	2007/0217500 A1	9/2007	Gao et al.
2004/0164858 A1	8/2004	Lin	2007/0229250 A1	10/2007	Recker et al.
2004/0165060 A1	8/2004	McNelley et al.	2007/0240073 A1	10/2007	McCarthy et al.
2004/0178955 A1	9/2004	Menache et al.	2007/0247470 A1	10/2007	Dhuey et al.
2004/0189463 A1	9/2004	Wathen	2007/0250567 A1	10/2007	Graham et al.
2004/0189676 A1	9/2004	Dischert	2007/0250620 A1	10/2007	Shah et al.
2004/0196250 A1	10/2004	Mehrotra et al.	2007/0263079 A1	11/2007	Graham et al.
2004/0207718 A1	10/2004	Boyden et al.	2007/0279483 A1	12/2007	Beers et al.
2004/0218755 A1	11/2004	Marton et al.	2007/0279484 A1	12/2007	Derocher et al.
2004/0221243 A1	11/2004	Twerdahl et al.	2008/0046840 A1*	2/2008	Melton et al. .... 715/825
2004/0246962 A1	12/2004	Kopeikin et al.	2008/0077390 A1	3/2008	Nagao
2004/0254982 A1	12/2004	Hoffman et al.	2008/0077883 A1	3/2008	Kim et al.
2004/0260796 A1	12/2004	Sundqvist et al.	2008/0084429 A1	4/2008	Wissinger
2005/0007954 A1	1/2005	Sreemanthula et al.	2008/0119211 A1	5/2008	Paas et al.
2005/0022130 A1	1/2005	Fabritius	2008/0134098 A1	6/2008	Hoglund et al.
2005/0024484 A1	2/2005	Leonard	2008/0136896 A1	6/2008	Graham et al.
2005/0034084 A1*	2/2005	Ohtsuki et al. .... 715/864	2008/0148187 A1	6/2008	Miyata et al.
2005/0039142 A1	2/2005	Jalon et al.	2008/0151038 A1	6/2008	Khouri et al.
2005/0050246 A1	3/2005	Lakkakorpi et al.	2008/0167078 A1	7/2008	Elbye
2005/0081160 A1	4/2005	Wee et al.	2008/0208444 A1	8/2008	Ruckart
2005/0099492 A1*	5/2005	Orr ..... 348/14.08	2008/0212677 A1	9/2008	Chen et al.
2005/0110867 A1	5/2005	Schulz	2008/0215974 A1	9/2008	Harrison et al.
2005/0117022 A1	6/2005	Marchant	2008/0215993 A1*	9/2008	Rossman ..... 715/753
2005/0129325 A1	6/2005	Wu	2008/0218582 A1	9/2008	Buckler
2005/0147257 A1	7/2005	Melchior et al.	2008/0232692 A1	9/2008	Kaku
2005/0149872 A1*	7/2005	Fong et al. .... 715/727	2008/0240237 A1	10/2008	Tian et al.
2005/0154988 A1*	7/2005	Proehl et al. .... 715/720	2008/0240571 A1	10/2008	Tian et al.
2005/0223069 A1*	10/2005	Cooperman et al. .... 709/206	2008/0246833 A1	10/2008	Yasui et al.
2005/0235209 A1*	10/2005	Morita et al. .... 715/716	2008/0256474 A1	10/2008	Chakra et al.
2005/0248652 A1	11/2005	Firestone et al.	2008/0261569 A1	10/2008	Britt et al.
2005/0251760 A1	11/2005	Sato et al.	2008/0266380 A1	10/2008	Gorzynski et al.
2005/0268823 A1	12/2005	Bakker et al.	2008/0267282 A1	10/2008	Kalipatnapu et al.
2006/0013495 A1	1/2006	Duan et al.	2008/0276184 A1	11/2008	Buffet et al.
2006/0017807 A1	1/2006	Lee et al.	2008/0297586 A1	12/2008	Kurtz et al.
2006/0028983 A1	2/2006	Wright	2008/0298571 A1	12/2008	Kurtz et al.
2006/0038878 A1	2/2006	Takashima et al.	2008/0303901 A1	12/2008	Variyath et al.
2006/0048070 A1*	3/2006	Taylor et al. .... 715/773	2009/0009593 A1	1/2009	Cameron et al.
2006/0056056 A1	3/2006	Ahiska et al.	2009/0012633 A1*	1/2009	Liu et al. .... 700/90
2006/0066717 A1	3/2006	Miceli	2009/0037827 A1*	2/2009	Bennetts ..... 715/753
2006/0072813 A1	4/2006	Matsumoto et al.	2009/0051756 A1	2/2009	Trachtenberg
2006/0082643 A1	4/2006	Richards	2009/0115723 A1	5/2009	Henty
2006/0093128 A1	5/2006	Oxford	2009/0119603 A1	5/2009	Stackpole
2006/0100004 A1	5/2006	Kim et al.	2009/0122867 A1	5/2009	Mauchly et al.

2009/0172596	A1*	7/2009	Yamashita .....	715/834
2009/0174764	A1	7/2009	Chadha et al.	
2009/0183122	A1	7/2009	Webb et al.	
2009/0193345	A1*	7/2009	Wensley et al. ....	715/756
2009/0204538	A1	8/2009	Ley et al.	
2009/0207233	A1	8/2009	Mauchly et al.	
2009/0207234	A1	8/2009	Chen et al.	
2009/0217199	A1	8/2009	Hara et al.	
2009/0228807	A1	9/2009	Lemay	
2009/0244257	A1	10/2009	MacDonald et al.	
2009/0256901	A1	10/2009	Mauchly et al.	
2009/0260060	A1	10/2009	Smith et al.	
2009/0265628	A1	10/2009	Bamford et al.	
2009/0279476	A1	11/2009	Li et al.	
2009/0322082	A1	12/2009	Wagoner	
2009/0324023	A1	12/2009	Tian et al.	
2010/0005419	A1*	1/2010	Miichi et al. ....	715/828
2010/0027907	A1	2/2010	Cherna et al.	
2010/0030389	A1*	2/2010	Palmer et al. ....	700/284
2010/0049542	A1*	2/2010	Benjamin et al. ....	705/2
2010/0082557	A1	4/2010	Gao et al.	
2010/0118112	A1	5/2010	Nimri et al.	
2010/0123770	A1	5/2010	Friel et al.	
2010/0171807	A1	7/2010	Tysso	
2010/0171808	A1	7/2010	Harrell et al.	
2010/0183199	A1	7/2010	Smith et al.	
2010/0199228	A1	8/2010	Latta et al.	
2010/0201823	A1	8/2010	Zhang et al.	
2010/0205281	A1	8/2010	Porter et al.	
2010/0205543	A1*	8/2010	Von Werther et al. ....	715/753
2010/0208078	A1	8/2010	Tian et al.	
2010/0225732	A1	9/2010	De Beer et al.	
2010/0225735	A1	9/2010	Shaffer et al.	
2010/0259619	A1	10/2010	Nicholson	
2010/0262367	A1	10/2010	Riggins et al.	
2010/0277563	A1	11/2010	Gupta et al.	
2010/0283829	A1	11/2010	De Beer et al.	
2010/0306703	A1	12/2010	Bourganel et al.	
2010/0313148	A1	12/2010	Hochendoner et al.	
2010/0316232	A1	12/2010	Acerro et al.	
2010/0325547	A1	12/2010	Keng et al.	
2011/0008017	A1	1/2011	Gausereide	
2011/0029868	A1	2/2011	Moran et al.	
2011/0063467	A1	3/2011	Tanaka	
2011/0082808	A1	4/2011	Beykpour et al.	
2011/0085016	A1	4/2011	Kristiansen et al.	
2011/0113348	A1*	5/2011	Twiss et al. ....	715/753
2011/0164106	A1	7/2011	Kim	
2011/0202878	A1	8/2011	Park et al.	
2011/0225534	A1	9/2011	Wala	
2011/0242266	A1	10/2011	Blackburn et al.	
2011/0249081	A1	10/2011	Kay et al.	
2011/0249086	A1	10/2011	Guo et al.	
2011/0276901	A1	11/2011	Zambetti et al.	
2011/0279627	A1*	11/2011	Shyu .....	348/14.03
2011/0319885	A1	12/2011	Skwarek et al.	
2012/0026278	A1	2/2012	Goodman et al.	
2012/0038742	A1	2/2012	Robinson et al.	
2012/0120181	A1*	5/2012	Kanalakis et al. ....	348/14.03
2012/0226997	A1*	9/2012	Pang .....	715/753
2012/0266082	A1	10/2012	Webber	
2012/0297342	A1*	11/2012	Jang et al. ....	715/823
2012/0327173	A1	12/2012	Couse et al.	

FOREIGN PATENT DOCUMENTS

EP	502600	A2	9/1992
EP	0 650 299		10/1994
EP	0 714 081		11/1995
EP	0 740 177		4/1996
EP	143745	A2	10/2001
EP	1 178 352	A1	6/2002
EP	1 589 758	A1	10/2005
EP	1701308	A2	9/2006
EP	1768058	A2	3/2007
EP	2073543	A1	6/2009
EP	2255531		12/2010
EP	22777308		1/2011
GB	2 294 605	A	5/1996
GB	2336266		10/1999

GB	2355876	A	5/2001
WO	WO 94/16517		7/1994
WO	WO 96/21321		7/1996
WO	WO 97/08896		3/1997
WO	WO 98/047291		10/1998
WO	WO 99/059026		11/1999
WO	WO 2001/33840		5/2001
WO	WO 2005/013001	A2	2/2005
WO	WO 2005/031001	A3	2/2005
WO	WO 2006/072755		7/2006
WO	WO2007/106157		9/2007
WO	WO2007/123946		11/2007
WO	WO 2007/123960	A2	11/2007
WO	WO 2007/123960	A3	11/2007
WO	WO2008/039371		4/2008
WO	WO 2008/040258		4/2008
WO	WO 2008/101117	A1	8/2008
WO	WO 2008/118887	A2	10/2008
WO	WO 2008/118887	A3	10/2008
WO	WO 2009/102503	A2	8/2009
WO	WO 2009/102503	A3	8/2009
WO	WO 2009/120814	A2	10/2009
WO	WO 2009/120814	A3	10/2009
WO	WO 2010/132271		1/2010
WO	WO 2010/059481		5/2010
WO	WO2010/096342		8/2010
WO	WO 2010/104765		9/2010
WO	WO2012/033716		3/2012
WO	WO2012/068008		5/2012
WO	WO2012/068010		5/2012
WO	WO2012/068485		5/2012

OTHER PUBLICATIONS

EPO Mar. 12, 2012 Response to EP Communication dated Nov. 2, 2011 from European Application EP10710949.8; 15 pages.

EPO Mar. 20, 2012 Communication from European Application 09725288.6; 6 pages.

Design U.S. Appl. No. 29/389,651, filed Apr. 14, 2011, entitled "Video Unit With Integrated Features," Inventor(s): Kyle A. Buzzard et al.

Design U.S. Appl. No. 29/389,654, filed Apr. 14, 2011, entitled "Video Unit With Integrated Features," Inventor(s): Kyle A. Buzzard et al.

Boros, S., "Policy-Based Network Management with SNMP," Proceedings of the EUNICE 2000 Summer School Sep. 13-15, 2000, p. 3.

U.S. Appl. No. 13/096,772, filed Apr. 28, 2011, entitled "System and Method for Providing Enhanced Eye Gaze in a Video Conferencing Environment," Inventor(s): Charles C. Byers.

U.S. Appl. No. 13/106,002, filed May 12, 2011, entitled "System and Method for Video Coding in a Dynamic Environment," Inventors: Dihong Tian et al.

U.S. Appl. No. 13/098,430, filed Apr. 30, 2011, entitled "System and Method for Transferring Transparency Information in a Video Environment," Inventors: Eddie Collins et al.

U.S. Appl. No. 13/096,795, filed Apr. 28, 2011, entitled "System and Method for Providing Enhanced Eye Gaze in a Video Conferencing Environment," Inventors: Charles C. Byers.

EPO Feb. 25, 2011 Communication for EP09725288.6; 4 pages.

Cumming, Jonathan, "Session Border Control in IMS, An Analysis of the Requirements for Session Border Control in IMS Networks," Sections 1.1, 1.1.1, 1.1.3, 1.1.4, 2.1.1, 3.2, 3.3.1, 5.2.3 and pp. 7-8, Data Connection, 2005.

Jong-Gook Ko et al., "Facial Feature Tracking and Head Orientation-Based Gaze Tracking," ITC-CSCC 2000, International Technical Conference on Circuits/Systems, Jul. 11-13, 2000, 4 pages <http://www.umiacs.umd.edu/~knkim/paper/itc-cscc-2000-jgko.pdf>.

Veratech Corp., "Phantom Sentinel," © VeratechAero 2006, 1 page; <http://www.veratechcorp.com/phantom.html>.

"Eye Tracking," from Wikipedia, (printed on Aug. 31, 2011) 12 pages; [http://en.wikipedia.org/wiki/Eye\\_tracker](http://en.wikipedia.org/wiki/Eye_tracker).

"RoundTable, 360 Degrees Video Conferencing Camera unveiled by Microsoft," TechShout, Jun. 30, 2006, 1 page; <http://www.techshout.com/gadgets/2006/30/roundtable-360-degrees-video-conferencing-camera-unveiled-by-microsoft/#>.

- Dornaika F., et al., "Head and Facial Animation Tracking Using Appearance-Adaptive Models and Particle Filters," 20040627; 20040627-20040602, Jun. 27, 2004, 22 pages; HEUDAISY Research Lab, [http://eprints.pascal-network.org/archive/00001231/01/rtvhci\\_chapter8.pdf](http://eprints.pascal-network.org/archive/00001231/01/rtvhci_chapter8.pdf).
- Eisert, Peter, "Immersive 3-D Video Conferencing: Challenges, Concepts and Implementations," Proceedings of SPIE Visual Communications and Image Processing (VCIP), Lugano, Switzerland, Jul. 2003; 11 pages; <http://iphome.hhi.de/eisert/papers/vcip03.pdf>.
- EPO Aug. 15, 2011 Response to EPO Communication mailed Feb. 25, 2011 from European Patent Application No. 09725288.6; 15 pages.
- Geys et al., "Fast Interpolated Cameras by Combining a GPU Based Plane Sweep With a Max-Flow Regularisation Algorithm," Sep. 9, 2004; 3D Data Processing, Visualization and Transmission 2004, pp. 534-541.
- Hammadi, Nait Charif et al., "Tracking the Activity of Participants in a Meeting," Machine Vision and Applications, Springer, Berlin, De LnkD-DOI:10.1007/S00138-006-0015-5, vol. 17, No. 2, May 1, 2006, pp. 83-93, XP019323925 <http://citeseerx.ist.psu.edu/viewdoc/summary?doi=10.1.1.106.9832>.
- Kwolek, B., "Model Based Facial Pose Tracking Using a Particle Filter," Geometric Modeling and Imaging—New Trends, 2006 London, England Jul. 5-6, 2005, Piscataway, NJ, USA, IEEE LNKD-DOI: 10.1109/GMAI.2006.34 Jul. 5, 2006, pp. 203-208; XP010927285 [Abstract Only].
- PCT Sep. 25, 2007 Notification of Transmittal of the International Search Report from PCT/US06/45895.
- PCT Sep. 2, 2008 International Preliminary Report on Patentability (1 page) and the Written Opinion of the ISA (4 pages) from PCT/US2006/045895.
- PCT Sep 11, 2008 Notification of Transmittal of the International Search Report from PCT/US07/09469.
- PCT Nov. 4, 2008 International Preliminary Report on Patentability (1 page) and the Written Opinion of the ISA (8 page) from PCT/US2007/009469.
- PCT May 11, 2010 International Search Report from PCT/US2010/024059; 4 pages.
- PCT Aug. 23, 2011 International Preliminary Report on Patentability and Written Opinion of the ISA from PCT/US2010/024059; 6 pages.
- Andreopoulos, Yiannis, et al., "In-Band Motion Compensated Temporal Filtering," Signal Processing: Image Communication 19 (2004) 653-673, 21 pages <http://medianetlab.ee.ucla.edu/papers/011.pdf>.
- Arulampalam, M. Sanjeev, et al., "A Tutorial on Particle Filters for Online Nonlinear/Non-Gaussian Bayesian Tracking," IEEE Transactions on Signal Processing, vol. 50, No. 2, Feb. 2002, 15 pages <http://www.cs.ubc.ca/~murphyk/Software/Kalman/ParticleFilterTutorial.pdf>.
- Garg, Ashutosh, et al., "Audio-Visual ISpeaker Detection Using Dynamic Bayesian Networks," IEEE International Conference on Automatic Face and Gesture Recognition, 2000 Proceedings, 7 pages <http://www.ifp.illinois.edu/~ashutosh/papers/FG00.pdf> Lambert.
- Lambert, "Polycom Video Communications," ©2004 Polycom, Inc., Jun. 20, 2004 [http://www.polycom.com/global/documents/whitepapers/video\\_communications\\_h.239\\_people\\_content\\_polycom\\_patented\\_technology.pdf](http://www.polycom.com/global/documents/whitepapers/video_communications_h.239_people_content_polycom_patented_technology.pdf).
- Liu, Shan, et al., "Bit-Depth Scalable Coding for High Dynamic Range Video," SPIE Conference on Visual Communications and Image Processing, Jan. 2008; 12 pages <http://www.merl.com/papers/docs/TR2007-078.pdf>.
- Nakaya, Y., et al. "Motion Compensation Based on Spatial Transformations," IEEE Transactions on Circuits and Systems for Video Technology, Jun. 1994, Abstract Only <http://ieeexplore.ieee.org/Xplore/login.jsp?url=http%3A%2F%2Fieeexplore.ieee.org%2Fiel5%2F76%2F7495%2F00305878.pdf%3Farnumber%3D305878&authDecision=-203>.
- U.S. Appl. No. 13/036,925, filed Feb. 28, 2011, entitled "System and Method for Selection of Video Data in a Video Conference Environment," Inventor(s) Sylvia Olayinka Aya Mania N'guessan.
- Gussenhoven, Carlos, "Chapter 5: Transcription of Dutch Intonation," 33 pages, Nov. 9, 2003; <http://www.ru.nl/publish/pages/516003/todisun-ah.pdf>.
- Hock, Hans Henrich, "Prosody vs. Syntax: Prosodic rebracketing of final vocatives in English," 4 pages; [retrieved and printed on Mar. 3, 2011] <http://speechprosody2010.illinois.edu/papers/100931.pdf>.
- "Vocative Case," from Wikipedia, [retrieved and printed on Mar. 3, 2011] 11 pages; [http://en.wikipedia.org/wiki/Vocative\\_case](http://en.wikipedia.org/wiki/Vocative_case).
- PCT Jan. 23, 2012 International Search Report and Written Opinion of the ISA from International Application Serial No. PCT/US2011/060579; 10 pages.
- PCT Jan. 23, 2012 International Search Report and Written Opinion of the ISA from International Application Serial No. PCT/US2011/060584; 11 pages.
- PCT Feb. 20, 2012 International Search Report and Written Opinion of the ISA from International Application Serial No. PCT/US2011/061442; 12 pages.
- U.S. Appl. No. 13/298,022, filed Nov. 16, 2011, entitled "System and Method for Alerting a Participant in a Video Conference," Inventor(s): TiongHu Lian, et al.
- "Eye Gaze Response Interface Computer Aid (Erica) tracks Eye movement to enable hands-free computer operation," UMD Communication Sciences and Disorders Tests New Technology, University of Minnesota Duluth, posted Jan. 19, 2005; 4 pages <http://www.d.umn.edu/unirel/homepage/05/eyegaze.html>.
- Gvili, Ronen et al., "Depth Keying," 3DV System Ltd., [Retrieved and printed on Dec. 5, 2011] 11 pages; <http://research.microsoft.com/en-us/um/people/eyalofek/Depth%20Key/DepthKey.pdf>.
- PCT Nov. 24, 2011 International Preliminary Report on Patentability from International Application Serial No. PCT/US2010/033880; 6 pages.
- PCT Sep. 13, 2011 International Preliminary Report on Patentability and the Written Opinion of the ISA from PCT/US2010/026456; 5 pages.
- PCT Dec. 12, 2011 International Search Report and Written Opinion of the ISA from PCT/US2011/050380.
- Patterson, E.K., et al., "Moving-Talker, Speaker-Independent Feature Study and Baseline Results Using the CUAVE Multimodal Speech Corpus," EURASIP Journal on Applied Signal Processing, vol. 11, Oct. 2002, 15 pages [http://www.clemson.edu/ces/speech/papers/CUAVE\\_Eurasip2002.pdf](http://www.clemson.edu/ces/speech/papers/CUAVE_Eurasip2002.pdf).
- Perez, Patrick, et al., "Data Fusion for Visual Tracking with Particles," Proceedings of the IEEE, vol. XX, No. XX, Feb. 2004, 18 pages <http://citeseer.ist.psu.edu/viewdoc/summary?doi=10.1.1.6.2480>.
- Potamianos, G., et a., "An Image Transform Approach for HMM Based Automatic Lipreading," in Proceedings of IEEE ICIP, vol. 3, 1998, 5 pages <http://citeseerx.ist.psu.edu/viewdoc/summary?doi=10.1.1.13.6802>.
- Rikert, T.D., et al., "Gaze Estimation using Morphable models," IEEE International Conference on Automatic Face and Gesture Recognition, Apr. 1998; 7 pgs <http://citeseer.ist.psu.edu/viewdoc/summary?doi=10.1.1.30.9472>.
- Tan, Kar-Han, et al., "Appearance-Based Eye Gaze Estimation," In Proceedings IEEE WACV'02, 2002, 5 pages <http://citeseer.ist.psu.edu/viewdoc/summary?doi=10.1.1.19.8921>.
- Vertegaal, Roel, et al., "GAZE-2: Conveying Eye Contact in Group Video Conferencing Using Eye-Controlled Camera Direction," CHI 2003, Apr. 5-10, 2003, Fort Lauderdale, FL; Copyright 2003 ACM 1-58113-630-7/03/0004; 8 pages; <http://www.hml.queensu.ca/papers/vertegaalchi0403.pdf>.
- Weinstein et al., "Emerging Technologies for Teleconferencing and Telepresence," Wainhouse Research 2005 <http://www.ivci.com/pdf/whitepaper-emerging-technologies-for-teleconferencing-and-telepresence.pdf>.
- U.S. Appl. No. 12/950,786, filed Nov. 19, 2010, entitled "System and Method for Providing Enhanced Video Processing in a Network Environment," Inventor[s]; David J. Mackie.
- Design U.S. Appl. No. 29/381,245, filed Dec. 16, 2010, entitled "Interface Element," Inventor(s): John M. Kanalakis, Jr., et al.
- Design U.S. Appl. No. 29/381,250, filed Dec. 16, 2010, entitled "Interface Element," inventor(s): John M. Kanalakis, Jr., et al.
- Design U.S. Appl. No. 29/381,254, filed Dec. 16, 2010, entitled "Interface Element," Inventor(s): John M. Kanalakis, Jr., et al.
- Design U.S. Appl. No. 29/381,256, filed Dec. 16, 2010, entitled "Interface Element," Inventor(s): John M. Kanalakis, Jr., et al.

- Design U.S. Appl. No. 29/381,259, filed Dec. 16, 2010, entitled "Interface Element," Inventor(s): John M. Kanalakakis, Jr., et al.
- Design U.S. Appl. No. 29/381,260, filed Dec. 16, 2010, entitled "Interface Element" Inventor(s): John M. Kanalakakis, Jr., et al.
- Design U.S. Appl. No. 29/381,262, filed Dec. 16, 2010, entitled "Interface Element," Inventor(s): John M. Kanalakakis, Jr., et al.
- active8-3D—Holographic Projection—3D Hologram Retail Display & Video Project, [retrieved and printed on Feb. 24, 2009], [http://www.activ8-3d.co.uk/3d\\_holocubes](http://www.activ8-3d.co.uk/3d_holocubes); 1 page.
- Andersson, L., et al., "LDP Specification," Network Working Group, RFC 3036, Jan. 2001, 133 pages; <http://tools.ietf.org/html/rfc3036>.
- Arrington, Michael, "eJamming—Distributed Jamming," TechCrunch; Mar. 16, 2006; <http://www.techcrunch.com/2006/03/16/ejamming-distributed-jamming>; 1 page.
- Avrithis, Y., et al., "Color-Based Retrieval of Facial Images," European Signal Processing Conference (EUSIPCO '00), Tampere, Finland; Sep. 2000; <http://www.image.ece.ntua.gr/~ntsap/presentations/eusipco00.ppt#256>; 18 pages.
- Awduche, D., et al., "Requirements for Traffic Engineering over MPLS," Network Working Group, RFC 2702, Sep. 1999, 30 pages; <http://tools.ietf.org/pdf/rfc2702.pdf>.
- Bakstein, Hynek, et al., "Visual Fidelity of Image Based Rendering," Center for Machine Perception, Czech Technical University, Proceedings of the Computer Vision, Winter 2004, <http://www.benogo.dk/publications/Bakstein-Pajdla-CVWW04.pdf>; 10 pages.
- Beesley, S.T.C., et al., "Active Macroblock Skipping in the H.264 Video Coding Standard," in Proceedings of 2005 Conference on Visualization, Imaging, and Image Processing—VIIP 2005, Sep. 7-9, 2005, Benidorm, Spain, Paper 480-261. ACTA Press, ISBN: 0-88986-528-0; 5 pages.
- Berzin, O., et al., "Mobility Support Using MPLS and MP-BGP Signaling," Network Working Group, Apr. 28, 2008, 60 pages; <http://www.potaroo.net/ietf/all-ids/draft-berzin-malis-mpls-mobility-01.txt>.
- Boccaccio, Jeff; CEPro, "Inside HDMI CEC: The Little-Known Control Feature," Dec. 28, 2007; [http://www.cepro.com/article/print/inside\\_hdmi\\_cec\\_the\\_little\\_known\\_control\\_feature](http://www.cepro.com/article/print/inside_hdmi_cec_the_little_known_control_feature); 2 pages.
- Bücken R: "Bildfernsprechen: Videokonferenz vom Arbeitsplatz aus" Funkschau, Weka Fachzeitschriften Verlag, Poing, DE, No. 17, Aug. 14, 1986, pp. 41-43, XP002537729; ISSN: 0016-2841, p. 43, left-hand column, line 34-middle column, line 24.
- Chan, Eric, et al., "Experiments on block-matching techniques for video coding," Multimedia Systems; 9 Springer-Verlag 1994, Multimedia Systems (1994) 2 pages.
- Chen et al., "Toward a Compelling Sensation of Telepresence: Demonstrating a Portal to a Distant (Static) Office," Proceedings Visualization 2000; VIS 2000; Salt Lake City, UT, Oct. 8-13, 2000; Annual IEEE Conference on Visualization, Los Alamitos, CA; IEEE Comp. Soc., US, Jan. 1, 2000, pp. 327-333; <http://citeseerx.ist.psu.edu/viewdoc/summary?doi=10.1.1.35.1287>.
- Chen, Jason, "iBluetooth Lets iPhone Users Send and Receive Files Over Bluetooth," Mar. 13, 2009; <http://i.gizmodo.com/5169545/ibluetooth-lets-iphone-users-send-and-receive-files-over-bluetooth>; 1 page.
- Chen, Qing, et al., "Real-time Vision-based Hand Gesture Recognition Using Haar-like Features," Instrumentation and Measurement Technology Conference, Warsaw, Poland, May 1-3, 2007, 6 pages; <http://www.google.com/url?sa=t&source=web&cd=1&ved=0CB4QFjAA&uri=http%3A%2F%2Fciteseerx.ist.psu.edu%2Fviewdoc%2Fdownload%3Fdoi%3D10.1.1.93.103%26rep%3Drep1%26type%3Dpdf&ei=A28RTLKRDeftnQeXzZGRaw&usq=AFQjCNHpwj5MwjgGp-3goVzSWad6CO-Jzw>.
- "Cisco Expo Germany 2009 Opening," Posted on YouTube on May 4, 2009; <http://www.youtube.com/watch?v=SDKsaSlz4MK>; 2 pages.
- Cisco: Bill Mauchly and Mod Marathe; UNC: Henry Fuchs, et al., "Depth-Dependent Perspective Rendering," Apr. 15, 2008; 6 pages.
- Costa, Cristina, et al., "Quality Evaluation and Nonuniform Compression of Geometrically Distorted Images Using the Quadtree Distortion Map," EURASIP Journal on Applied Signal Processing, Jan. 7, 2004, vol. 2004, No. 12; © 2004 Hindawi Publishing Corp.; XP002536356; ISSN: 1110-8657; pp. 1899-1911; <http://downloads.hindawi.com/journals/asp/2004/470826.pdf>.
- Criminisi, A., et al., "Efficient Dense-Stereo and Novel-view Synthesis for Gaze Manipulation in One-to-one Teleconferencing" Technical Rpt MSR-TR-2003-59, Sep. 2003 [retrieved and printed on Feb. 26, 2009], [http://research.microsoft.com/pubs/67266/criminisi\\_techrep2003-59.pdf](http://research.microsoft.com/pubs/67266/criminisi_techrep2003-59.pdf), 41 pages.
- "Custom 3D Depth Sensing Prototype System for Gesture Control," 3D Depth Sensing, GestureTek, 3 pages; [Retrieved and printed on Dec. 1, 2010] <http://www.gesturetek.com/3ddepth/introduction.php>.
- Daly, S., et al., "Face-based visually-optimized image sequence coding," Image Processing, 1998. ICIP 98. Proceedings; 1998 International Conference on Chicago, IL; Oct. 4-7, 1993, Los Alamitos; IEEE Computing; vol. 3, Oct. 4, 1998; ISBN: 978-0-8186-8821-8; XP010586786; pp. 443-447.
- Diaz, Jesus, "Zcam 3D Camera is Like Wii Without Wiimote and Minority Report Without Gloves," Dec. 15, 2007; <http://gizmodo.com/gadgets/zcam-depth-camera-could-be-wii-challenger/zcam-3d-camera-is-like-wii-without-wiimote-and-minority-report-without-gloves-334426.php>; 3 pages.
- Diaz, Jesus, iPhone Bluetooth File Transfer Coming Soon (Yes!); Jan. 26, 2009; <http://i.gizmodo.com/5138797/iphone-bluetooth-file-transfer-coming-soon-yes>; 1 page.
- DVE Digital Video Enterprises, "DVE Tele-Immersion Room," [retrieved and printed on Feb. 5, 2009] [http://www.dvetelepresence.com/products/immersion\\_room.asp](http://www.dvetelepresence.com/products/immersion_room.asp); 2 pages.
- "Dynamic Displays," copyright 2005-2008 [retrieved and printed on Feb. 24, 2009] [http://www.zebraimaging.com/html/lighting\\_display.html](http://www.zebraimaging.com/html/lighting_display.html), 2 pages.
- ECmag.com, "IBS Products," Published Apr. 2009; <http://www.ecmag.com/index.cfm?fa=article&articleID=10065>; 2 pages.
- eJamming Audio, Learn More; [retrieved and printed on May 27, 2010] <http://www.ejamming.com/learnmore/>; 4 pages.
- Electrophysics Glossary, "Infrared Cameras, Thermal Imaging, Night Vision, Roof Moisture Detection," [retrieved and printed on Mar. 18, 2010] [http://www.electrophysics.com/Browse/Brw\\_Glossary.asp](http://www.electrophysics.com/Browse/Brw_Glossary.asp); 11 pages.
- Farrukh, A., et al., Automated Segmentation of Skin-Tone Regions in Video Sequences, Proceedings IEEE Students Conference, ISCON\_02; Aug. 16-17, 2002; pp. 122-128.
- Fiala, Mark, "Automatic Projector Calibration Using Self-Identifying Patterns," National Research Council of Canada, Jun. 20-26, 2005; <http://www.procams.org/procams2005/papers/procams05-36.pdf>; 6 pages.
- Foote, J., et al., "Flycam: Practical Panoramic Video and Automatic Camera Control," in Proceedings of IEEE International Conference on Multimedia and Expo, vol. III, Jul. 30, 2000; pp. 1419-1422; <http://citeseerx.ist.psu.edu/viewdoc/versions?doi=10.1.1.138.8686>.
- Freeman, Professor Wilson T., Computer Vision Lecture Slides, "6.869 Advances in Computer Vision: Learning and Interfaces," Spring 2005; 21 pages.
- Gemmell, Jim, et al., "Gaze Awareness for Video-conferencing: A Software Approach," IEEE MultiMedia, Oct.-Dec. 2000; vol. 7, No. 4, pp. 26-35.
- Gotchev, Atanas, "Computer Technologies for 3D Video Delivery for Home Entertainment," International Conference on Computer Systems and Technologies; CompSysTech, Jun. 12-13, 2008; <http://ecet.ecs.ru.acad.bg/cst08/docs/cp/Plenary/P.1.pdf>; 6 pages.
- Gries, Dan, "3D Particles Experiments in AS3 and Flash CS3, Dan's Comments," [retrieved and printed on May 24, 2010] <http://www.flashandmath.com/advanced/fourparticles/notes.html>; 3 pages.
- Guernsey, Lisa, "Toward Better Communication Across the Language Barrier," Jul. 29, 1999; <http://www.nytimes.com/1999/07/29/technology/toward-better-communication-across-the-language-barrier.html>; 2 pages.
- Guili, D., et al., "Orchestral: A Distributed Platform for Virtual Musical Groups and Music Distance Learning over the Internet in Java™ Technology"; [retrieved and printed on Jun. 6, 2010] <http://ieeexplore.ieee.org/stamp/stamp.jsp?tp.&arnumber=778626>; 2 pages.
- Gundavelli, S., et al., "Proxy Mobile IPv6," Network Working Group, RFC 5213, Aug. 2008, 93 pages; <http://tools.ietf.org/pdf/rfc5213.pdf>.

- Habili, Nariman, et al., "Segmentation of the Face and Hands in Sign Language Video Sequences Using Color and Motion Cues" IEEE Transaction on Circuits and Systems for Video Technology, IEEE Service Center, vol. 14, No. 8, Aug. 1, 2004; ISSN: 1051-8215; XP011115755; pp. 1086-1097.
- He L., et al., "The Virtual Cinematographer: A Paradigm for Automatic Real-Time Camera Control and Directing," Proc. SIGGRAPH, © 1996; <http://research.microsoft.com/en-us/um/people/lhe/papers/siggraph96.vc.pdf>; 8 pages.
- Hepper, D., "Efficiency Analysis and Application of Uncovered Background Prediction in a Low BitRate Image Coder," IEEE Transactions on Communications, vol. 38, No. 9, pp. 1578-1584, Sep. 1990.
- Holographic Imaging, "Dynamic Holography for scientific uses, military heads up display and even someday HoloTV Using TI's DMD," [retrieved and printed on Feb. 26, 2009] [http://innovation.swmed.edu/research/instrumentation/res\\_inst\\_dev3d.html](http://innovation.swmed.edu/research/instrumentation/res_inst_dev3d.html); 5 pages.
- Hornbeck, Larry J., "Digital Light Processing™: A New MEMS-Based Display Technology," [retrieved and printed on Feb. 26, 2009] [http://focus.ti.com/pdfs/dlpdmd/17\\_Digital\\_Light\\_Processing\\_MEMS\\_display\\_technology.pdf](http://focus.ti.com/pdfs/dlpdmd/17_Digital_Light_Processing_MEMS_display_technology.pdf); 22 pages.
- "Infrared Cameras TVS-200-EX," [retrieved and printed on May 24, 2010] [http://www.electrophysics.com/Browse/Brw\\_ProductLineCategory.asp?CategoryID=184&Area=IS](http://www.electrophysics.com/Browse/Brw_ProductLineCategory.asp?CategoryID=184&Area=IS); 2 pages.
- IR Distribution Category @ Envious Technology, "IR Distribution Category," [retrieved and printed on Apr. 22, 2009] <http://www.envioustechnology.com.au/products/product-list.php?CID=305>; 2 pages.
- IR Trans—Products and Orders—Ethernet Devices, [retrieved and printed on Apr. 22, 2009] <http://www.irtrans.de/en/shop/lan.php>; 2 pages.
- Isgro, Francesco et al., "Three-Dimensional Image Processing in the Future of Immersive Media," IEEE Transactions on Circuits and Systems for Video Technology, vol. 14, No. 3; XP011108796; ISSN: 1051-8215; Mar. 1, 2004; pp. 288-303.
- Itoh, Hiroyasu, et al., "Use of a gain modulating framing camera for time-resolved imaging of cellular phenomena," SPIE vol. 2979, 1997, pp. 733-740.
- Jamoussi, Bamil, "Constraint-Based LSP Setup Using LDP," MPLS Working Group, Sep. 1999, 34 pages; <http://tools.ietf.org/html/draft-ietf-mpls-cr-ldp-03>.
- Jeyatharan, M., et al., "3GPP TFT Reference for Flow Binding," MEXT Working Group, Mar. 2, 2010, 11 pages; <http://www.ietf.org/id/draft-jeyatharan-mext-flow-tftemp-reference-00.txt>.
- Jiang, Minqiang, et al., "On Lagrange Multiplier and Quantizer Adjustment for H.264 Frame-layer Video Rate Control," IEEE Transactions on Circuits and Systems for Video Technology, vol. 16, Issue 5, May 2006, pp. 663-669.
- Kannangara, C.S., et al., "Complexity Reduction of H.264 Using Lagrange Multiplier Methods," IEEE Int. Conf. on Visual Information Engineering, Apr. 2005; [www.rgu.ac.uk/files/h264\\_complexity\\_kannangara.pdf](http://www.rgu.ac.uk/files/h264_complexity_kannangara.pdf); 6 pages.
- Kannangara, C.S. et al., "Low Complexity Skip Prediction for H.264 through Lagrangian Cost Estimation," IEEE Transactions on Circuits and Systems for Video Technology, vol. 16, No. 2, Feb. 2006; [www.rgu.ac.uk/files/h264\\_skippredict\\_richardson\\_final.pdf](http://www.rgu.ac.uk/files/h264_skippredict_richardson_final.pdf); 20 pages.
- Kauff, Peter, et al., "An Immersive 3D Video-Conferencing System Using Shared Virtual Team User Environments," Proceedings of the 4th International Conference on Collaborative Virtual Environments, XP040139458; Sep. 30, 2002; [http://ip.hhi.de/imedia\\_G3/assets/pdfs/CVE02.pdf](http://ip.hhi.de/imedia_G3/assets/pdfs/CVE02.pdf); 8 pages.
- Kazutake, Uehira, "Simulation of 3D image depth perception in a 3D display using two stereoscopic displays at different depths," Jan. 30, 2006; <http://adsabs.harvard.edu/abs/2006SPIE.6055.408U>; 2 pages.
- Keijser, Jeroen, et al., "Exploring 3D Interaction in Alternate Control-Display Space Mappings," IEEE Symposium on 3D User Interfaces, Mar. 10-11, 2007, pp. 17-24.
- Kim, Y.H., et al., "Adaptive mode decision for H.264 encoder," Electronics letters, vol. 40, Issue 19, pp. 1172-1173, Sep. 2004; 2 pages.
- Klint, Josh, "Deferred Rendering in Leadwerks Engine," Copyright Leadwerks Corporation © 2008; [http://www.leadwerks.com/files/Deferred\\_Rendering\\_in\\_Leadwerks\\_Engine.pdf](http://www.leadwerks.com/files/Deferred_Rendering_in_Leadwerks_Engine.pdf); 10 pages.
- Koisch, Mathias, "Vision Based Hand Gesture Interfaces for Wearable Computing and Virtual Environments," A Dissertation submitted in partial satisfaction of the requirements for the degree of Doctor of Philosophy in Computer Science, University of California, Santa Barbara, Nov. 2004, 288 pages; <http://fulfilment.umi.com/dissertations/b7afbcb56ba72fdb14d26dfccc6b470f1291487062/3143800.pdf>.
- Koyama, S., et al. "A Day and Night Vision MOS Imager with Robust Photonic-Crystal-Based RGB-and-IR," Mar. 2008, pp. 754-759; ISSN: 0018-9383; IEE Transactions on Electron Devices, vol. 55, No. 3; <http://ieeexplore.ieee.org/stamp/stamp.jsp?tp=&arnumber=4455782&isnumber=4455723>.
- Lawson, S., "Cisco Plans TelePresence Translation Next Year," Dec. 9, 2008; [http://www.pcworld.com/article/155237/.html?tk=rss\\_news](http://www.pcworld.com/article/155237/.html?tk=rss_news); 2 pages.
- Lee, J. and Jeon, B., "Fast Mode Decision for H.264," ISO/IEC MPEG and ITU-T VCEG Joint Video Team, Doc. JVT-J033, Dec. 2003; [http://media.skku.ac.kr/publications/paper/IntC/Ijy\\_ICME2004.pdf](http://media.skku.ac.kr/publications/paper/IntC/Ijy_ICME2004.pdf); 4 pages.
- Liu, Z., "Head-Size Equalization for Better Visual Perception of Video Conferencing," Proceedings, IEEE International Conference on Multimedia & Expo (ICME2005), Jul. 6-8, 2005, Amsterdam, The Netherlands; <http://research.microsoft.com/users/cohen/HeadSizeEqualizationICME2005.pdf>; 4 pages.
- Mann, S., et al., "Virtual Bellows: Constructing High Quality Still from Video," Proceedings, First IEEE International Conference on Image Processing ICIP-94, Nov. 13-16, 1994, Austin, TX; <http://citeseerx.ist.psu.edu/viewdoc/summary?doi=10.1.1.50.8405>; 5 pages.
- Marvin Imaging Processing Framework, "Skin-colored pixels detection using Marvin Framework," video clip, YouTube, posted Feb. 9, 2010 by marvinproject, 1 page; <http://www.youtube.com/user/marvinproject#p/a/u/0/3ZuQHYNlcr>.
- Miller, Gregor, et al., "Interactive Free-Viewpoint Video," Centre for Vision, Speech and Signal Processing, [retrieved and printed on Feb. 26, 2009], <http://www.ee.surrey.ac.uk/CVSSP/VMRG/Publications/miller05cvmp.pdf>, 10 pages.
- Miller, Paul, "Microsoft Research patents controller-free computer input via EMG muscle sensors," Engadget.com, Jan. 3, 2010, 1 page; <http://www.engadget.com/2010/01/03/microsoft-research-patents-controller-free-computer-input-via-em/>.
- "Minoru from Novo is the worlds first consumer 3D Webcam," Dec. 11, 2008; <http://www.minoru3d.com>; 4 pages.
- Mitsubishi Electric Research Laboratories, copyright 2009 [retrieved and printed on Feb. 26, 2009], <http://www.merl.com/projects/3dvt>, 2 pages.
- National Training Systems Association Home—Main, Interservice/Industry Training, Simulation & Education Conference; Dec. 1-4, 2008; <http://ntsa.metapress.com/app/home/main.asp?referrer=default>; 1 page.
- Oh, Hwang-Seok, et al., "Block-Matching Algorithm Based on Dynamic Search Window Adjustment," Dept. of CS, KAIST, 1997, 6 pages; <http://citeseerx.ist.psu.edu/viewdoc/similar?doi=10.1.1.29.8621&type=ab>.
- Opera Over Cisco TelePresence at Cisco Expo 2009, in Hannover Germany—Apr. 28, 29, posted on YouTube on May 5, 2009; <http://www.youtube.com/watch?v=xN5jNH5E-38>; 1 page.
- OptoIQ, "Vision + Automation Products—VideometerLab 2," [retrieved and printed on Mar. 18, 2010], <http://www.optoiq.com/optoiq-2/en-us/index/machine-vision-imaging-processing/display/vsd-articles-tools-template.articles.vision-systems-design.volume-11.issue-10.departments.new-products.vision-automation-products.htmlhtml>; 11 pages.
- OptoIQ, "Anti-Speckle Techniques Uses Dynamic Optics," Jun. 1, 2009; <http://www.optoiq.com/index/photronics-technologies-applications/Ifw-display/Ifw-article-display/363444/articles/optoiq2/photronics-technologies/technology-products/optical-components/optical-mems/2009/12/anti-speckle-technique-uses-dynamic-optics/QP129867/cmpid=EniOptoLFWJanuary132010.html>; 2 pages.
- OptoIQ, "Smart Camera Supports Multiple Interfaces," Jan. 22, 2009; <http://www.optoiq.com/index/machine-vision-imaging-pro>



- cessing/display/vsd-article-display/350639/articles/vision-systems-design/daily-product-2/2009/01/smart-camera-supports-multiple-interfaces.html; 2 pages.
- OptoIQ, "Vision Systems Design—Machine Vision and Image Processing Technology," [retrieved and printed on Mar. 18, 2010], <http://www.optoiq.com/index/machine-vision-imaging-processing.html>; 2 pages.
- Payatagool, Chris, "Orchestral Manoeuvres in the Light of Telepresence," Telepresence Options, Nov. 12, 2008; [http://www.telepresenceoptions.com/2008/11/orchestral\\_manoeuvres](http://www.telepresenceoptions.com/2008/11/orchestral_manoeuvres); 2 pages.
- PCT International Preliminary Report on Patentability mailed Aug. 26, 2010 for PCT/U62009/001070; 10 pages.
- PCT International Report of Patentability dated May 15, 2006, for PCT International Application PCT/US2004/021585, 6 pages.
- PCT International Search Report mailed Aug. 24, 2010 for PCT/US2010033880; 4 pages.
- PCT Notification of Transmittal of the International Search Report and the Written Opinion of the International Searching Authority, or the Declaration for PCT/US2009/064061 mailed Feb. 23, 2010; 14 pages.
- Pixel Tools "Rate Control and H.264: H.264 rate control algorithm dynamically adjusts encoder parameters," [retrieved and printed on Jun. 10, 2010] [http://www.pixeitools.com/rate\\_control\\_paper.html](http://www.pixeitools.com/rate_control_paper.html); 7 pages.
- Radhika, N., et al., "Mobile Dynamic reconfigurable Context aware middleware for Adhoc smart spaces," vol. 22, 2008; <http://www.acadjournal.com/2008/V22/part6/p7>; 3 pages.
- Rayvel Business-to-Business Products, copyright 2004 [retrieved and printed on Feb. 24, 2009], <http://www.rayvel.com/b2b.html>; 2 pages.
- "Real-time Hand Motion/Gesture Detection for HCI-Demo 2," video clip, YouTube, posted Dec. 17, 2008 by smmy0705, 1 page; [www.youtube.com/watch?v=mLT4CFLi8A&feature=related](http://www.youtube.com/watch?v=mLT4CFLi8A&feature=related).
- Richardson, I.E.G., et al., "Fast H.264 Skip Mode Selection Using and Estimation Framework," Picture Coding Symposium, (Beijing, China), Apr. 2006; [www.rgu.ac.uk/files/richardson\\_fast\\_skip\\_estimation\\_pcs06.pdf](http://www.rgu.ac.uk/files/richardson_fast_skip_estimation_pcs06.pdf); 6 pages.
- Richardson, Iain, et al., "Video Encoder Complexity Reduction by Estimating Skip Mode Distortion," Image Communication Technology Group; [Retrieved and printed Oct. 21, 2010] 4 pages; [http://www4.rgu.ac.uk/files/ICIP04\\_richardson\\_zhao\\_final.pdf](http://www4.rgu.ac.uk/files/ICIP04_richardson_zhao_final.pdf).
- "Robust Face Localisation Using Motion, Colour & Fusion"; Proc. VIIth Digital Image Computing: Techniques and Applications, Sun C. et al. (Eds.), Sydney; XP007905630; pp. 899-908; Dec. 10, 2003; <http://www.cmis.csiro.au/Hugues.Talbot/dicta2003/cdrom/pdf/0899.pdf>.
- Satoh, Kiyohide et al., "Passive Depth Acquisition for 3D image Displays", IEICE Transactions on Information and Systems, Information Systems Society, Tokyo, JP, Sep. 1, 1994, vol. E77-D, No. 9, pp. 949-957.
- School of Computing, "Bluetooth over IP for Mobile Phones," 2005; [http://www.computing.dcu.ie/wwwadmin/fyp-abstract/list/fyp\\_details05.jsp?year=2005&number=51470574](http://www.computing.dcu.ie/wwwadmin/fyp-abstract/list/fyp_details05.jsp?year=2005&number=51470574); 1 page.
- Schroeder, Erica, "The Next Top Model—Collaboration," Collaboration, The Workspace: A New World of Communications and Collaboration, Mar. 9, 2009; [http://blogs.cisco.com/collaboration/comments/the\\_next\\_top\\_model](http://blogs.cisco.com/collaboration/comments/the_next_top_model); 3 pages.
- SENA, "Industrial Bluetooth," [retrieved and printed on Apr. 22, 2009] [http://www.sena.com/products/industrial\\_bluetooth](http://www.sena.com/products/industrial_bluetooth); 1 page.
- Shaffer, Shmuel, "Translation—State of the Art" presentation; Jan. 15, 2009; 22 pages.
- Shi, C. et al., "Automatic Image Quality Improvement for Videoconferencing," IEEE ICASSP May 2004; <http://research.microsoft.com/pubs/69079/0300701.pdf>; 4 pages.
- Shum, H.-Y., et al., "A Review of Image-Based Rendering Techniques," in SPIE Proceedings vol. 4067(3); Proceedings of the Conference on Visual Communications and Image Processing 2000, Jun. 20-23, 2000, Perth, Australia; pp. 2-13; [https://research.microsoft.com/pubs/68826/review\\_image\\_rendering.pdf](https://research.microsoft.com/pubs/68826/review_image_rendering.pdf).
- "Simple Hand Gesture Recognition," video clip, YouTube, posted Aug. 25, 2008 by pooh8210, 1 page; <http://www.youtube.com/watch?v=F8GVeV0dYLM&feature=related>.
- Smarthome, "IR Extender Expands Your IR Capabilities," [retrieved and printed on Apr. 22, 2009], <http://www.smarthome.com/8121.html>; 3 pages.
- Soliman, H., et al., "Flow Bindings in Mobile IPv6 and NEMO Basic Support," IETF MEXT Working Group, Nov. 9, 2009, 38 pages; <http://tools.ietf.org/html/draft-ietf-mext-flow-binding-04>.
- Sonoma Wireworks Forums, "Jammin on RiffLink," [retrieved and printed on May 27, 2010] <http://www.sonomawireworks.com/forums/viewtopic.php?id=2659>; 5 pages.
- Sonoma Wireworks RiffLink, [retrieved and printed on Jun. 2, 2010] <http://www.sonomawireworks.com/rifflink.php>; 3 pages.
- Soochuan, Kim, et al., "Block-based face detection scheme using face color and motion estimation," Real-Time Imaging VIII; Jan. 20-22, 2004, San Jose, CA; vol. 5297, No. 1; Proceedings of the SPIE—The International Society for Optical Engineering SPIE—Int. Soc. Opt. Eng USA ISSN: 0277-786X; XP007905596; pp. 78-88.
- Sudan, Ranjeet, "Signaling in MPLS Networks with RSVP-TE-Technology Information," Telecommunications, Nov. 2000, 3 pages; [http://findarticles.com/p/articles/mi\\_mOTLC/is\\_11\\_34/ai\\_67447072/](http://findarticles.com/p/articles/mi_mOTLC/is_11_34/ai_67447072/).
- Sullivan, Gary J., et al., "Video Compression—From Concepts to the H.264/AVC Standard," Proceedings IEEE, vol. 93, No. 1, Jan. 2005; [http://ip.hhi.de/imagecom\\_G1/assets/pdfs/piece\\_sullivan\\_wiegand\\_2005.pdf](http://ip.hhi.de/imagecom_G1/assets/pdfs/piece_sullivan_wiegand_2005.pdf); 14 pages.
- Sun, X., et al., "Region of Interest Extraction and Virtual Camera Control Based on Panoramic Video Capturing," IEEE Trans. Multimedia, Oct. 27 2003; <http://vision.ece.ucsb.edu/publications/04mmXdsun.pdf>; 14 pages.
- Super Home Inspectors or Super Inspectors, [retrieved and printed on Mar. 18, 2010] <http://www.umrt.com/PageManager/Default.aspx/PageID=2120325>; 3 pages.
- Total immersion, Video Gallery, copyright 2008-2009 [retrieved and printed on Feb. 26, 2009], <http://www.t-immersion.com/en,video-gallery,36.html>, 1 page.
- Trucco, E., et al., "Real-Time Disparity Maps for Immersive 3-D Teleconferencing by Hybrid Recursive Matching and Census Transform," [retrieved and printed on May 4, 2010] <http://server.cs.ucf.edu/~vision/papers/VidReg-final.pdf>; 9 pages.
- Tsapatsoulis, N., et al., "Face Detection for Multimedia Applications," Proceedings of the ICIP Sep. 10-13 2000, Vancouver, BC, Canada; vol. 2, pp. 247-250.
- Tsapatsoulis, N., et al., "Face Detection in Color Images and Video Sequences," 10th Mediterranean Electrotechnical Conference (MELECON), May 29-31, 2000; vol. 2; pp. 498-502.
- Wachs, J., et al., "A Real-time Hand Gesture System Based on Evolutionary Search," Vision, 3<sup>rd</sup> Quarter 2006, vol. 22, No. 3, 18 pages; <http://web.ics.purdue.edu/~jpwachs/papers/3q06vi.pdf>.
- Wang, Hualu, et al., "A Highly Efficient System for Automatic Face Region Detection in MPEG Video," IEEE Transactions on Circuits and Systems for Video Technology; vol. 7, Issue 4; 1977 pp. 615-628.
- Wang, Robert and Jovan Popovic, "Real-Time Hand-Tracking with a Color Glove, ACM Transaction on Graphics" (SIGGRAPH 2009), 28(3), Aug. 2009; 8 pages <http://people.csail.mit.edu/rywang/handtracking/s09-hand-tracking.pdf>.
- Wang, Robert and Jovan Popovic, "Real-Time Hand-Tracking with a Color Glove, ACM Transaction on Graphics," 4 pages, [Retrieved and printed on Dec. 1, 2010] <http://people.csail.mit.edu/rywang/hand>.
- Wang, Robert and Jovan Popovic, "Gestural user input," video clip, YouTube, posted by rkeltset on May 19, 2010, 1 page; <http://www.youtube.com/watch?v=3JWYTtBjdTE>.
- Wang, Robert and Jovan Popovic, "Tracking the 3D pose and configuration of the hand," video clip, YouTube, posted by rkeltset on Mar. 31, 2010, 1 page; <http://www.youtube.com/watch?v=JOXwjkWP6Sw>.
- Wang Robert and Jovan Popovic, "Desktop virtual reality," video clip, YouTube, posted by rkeltset on Apr. 8, 2010, 1 page; <http://www.youtube.com/watch?v=9rBtm62Lkfk>.
- Wang, Robert and Jovan Popovic, "Bimanual rotation and scaling," video clip, YouTube, posted by rkeltset on Apr. 14, 2010, 1 page; <http://www.youtube.com/watch?v=7TPFSCX79U>.

- Wang, Robert and Jovan Popovic, "Manipulating a virtual yoke," video clip, YouTube, posted by rkeltset on Jun. 8, 2010, 1 page; <http://www.youtube.com/watch?v=UfgGOO2uM>.
- Westerink, P.H., et al., "Two-pass MPEG-2 variable-bitrate encoding," IBM Journal of Research and Development, Jul. 1991, vol. 43, No. 4; <http://citeseerx.ist.psu.edu/viewdoc/summary?doi=10.1.1.128.421>; 18 pages.
- Wiegand, T., et al., "Efficient mode selection for block-based motion compensated video coding," Proceedings, 2005 International Conference on Image Processing IIP 2005, pp. 2559-2562; [citeseer.ist.psu.edu/wiegand95efficient.html](http://citeseer.ist.psu.edu/wiegand95efficient.html).
- Wiegand, T., et al., "Rate-distortion optimized mode selection for very low bit rate video coding and the emerging H.263 standard," IEEE Trans. Circuits Syst. Video Technol., Apr. 1996, vol. 6, No. 2, pp. 182-190.
- Wi-Fi Protected Setup, from Wikipedia, Sep. 2, 2010, 3 pages [http://en.wikipedia.org/wiki/Wi-Fi\\_Protected\\_Setup](http://en.wikipedia.org/wiki/Wi-Fi_Protected_Setup).
- Wilson, Mark, "Dreamoc 3D Display Turns Any Phone Into Hologram Machine," Oct. 30, 2008; <http://gizmodo.com/5070906/dreamoc-3d-display-turns-any-phone-into-hologram-machine>; 2 pages.
- WirelessDevNet, Melody Launches Bluetooth Over IP, [retrieved and printed on Jun. 5, 2010] <http://www.wirelessdevnet.com/news/2001/155/news5.html>; 2 pages.
- Xia, F., et al., "Home Agent Initiated Flow Binding for Mobile IPv6," Network Working Group, Oct. 19, 2009, 15 pages; <http://tools.ietf.org/html/draft-xia-mext-ha-init-flow-binding-01.txt>.
- Xin, Jun, et al., "Efficient macroblock coding-mode decision for H.264/AVC video coding," Technical Report MERL 2004-079, Mitsubishi Electric Research Laboratories, Jan. 2004; [www.merl.com/publications/TR2004-079/](http://www.merl.com/publications/TR2004-079/); 12 pages.
- Yang, Jie, et al., "A Real-Time Face Tracker," Proceedings 3rd IEEE Workshop on Applications of Computer Vision; 1996; Dec. 2-4, 1996; pp. 142-147; [http://www.ri.cmu.edu/pub\\_files/pub1/yang\\_jie\\_1996\\_1/yang\\_jie\\_1996\\_1.pdf](http://www.ri.cmu.edu/pub_files/pub1/yang_jie_1996_1/yang_jie_1996_1.pdf).
- Yang, Ming-Hsuan, et al., "Detecting Faces in Images: A Survey," vol. 24, No. 1; Jan. 2002; pp. 34-58; <http://vision.ai.uiuc.edu/mhyang/papers/pami02a.pdf>.
- Yaug, Ruigang, et al., "Real-Time Consensus-Based Scene Reconstruction using Commodity Graphics Hardware," Department of Computer Science, University of North Carolina at Chapel Hill; 2002; <http://www.cs.unc.edu/Research/stc/publications/yaug...pacigra2002.pdf>; 10 pages.
- Yang, Xiaokang, et al., Rate Control for H.264 with Two-Step Quantization Parameter Determination but Single-Pass Encoding, EURASIP Journal on Applied Signal Processing, Jun. 2006; <http://downloads.hindawi.com/journals/asp/2006/063409.pdf>; 13 pages.
- Yegani, P. et al., "GRE Key Extension for Mobile IPv4," Network Working Group, Feb. 2006, 11 pages; <http://tools.ietf.org/pdf/draft-yegani-gre-key-extension-01.pdf>.
- Yoo, Byounghun, et al., "Image-Based Modeling of Urban Buildings Using Aerial Photographs and Digital Maps," Transactions in GIS, 2006, 10(3): pp. 377-394.
- Zhong, Ren, et al., "Integration of Mobile IP and MPLS," Network Working Group, Jul. 2000, 15 pages; <http://tools.ietf.org/html/draft-zhong-mobile-ip-mpls-01>.
- "Oblong Industries is the developer of the g-speak spatial operation environment," Oblong Industries Information Page, 2 pages, [Retrieved and printed on Dec. 1, 2010] <http://oblong.com>.
- Underkoffler, John, "G-Speak Overview 1828121108," video clip, Vimeo.com, 1 page, [Retrieved and printed on Dec. 1, 2010] <http://vimeo.com/2229299>.
- Kramer, Kwindla, "Mary Ann de Lares Norris at Thinking Digital," Oblong Industries, Inc. Web Log, Aug. 24, 2010; 1 page; <http://oblong.com/articles/0BS6hEeJmoHoCwgJ.html>.
- "Mary Ann de Lares Norris," video clip, Thinking Digital 2010 Day Two, Thinking Digital Videos, May 27, 2010, 3 pages; <http://videos.thinkingdigital.co.uk/2010/05/mary-ann-de-lares-norris-oblong/>.
- Kramer, Kwindla, "Oblong at TED," Oblong Industries, Inc. Web Log, Jun. 6, 2010, 1 page; <http://oblong.com/article/0B22LFIS1NVyrOmR.html>.
- "John Underkoffler points to the future of UI," video clip and interactive transcript, Video on TED.com, Jun. 2010, 6 pages; [http://www.ted.com/talks/john\\_underkoffler\\_drive\\_3d\\_data\\_with\\_a\\_gesture.html](http://www.ted.com/talks/john_underkoffler_drive_3d_data_with_a_gesture.html).
- Kramer, Kwindla, "Oblong on Bloomberg TV," Oblong Industries, Inc. Web Log, Jan. 28, 2010, 1 page; [http://oblong.com/article/0AN\\_1KD9q990PEnw.html](http://oblong.com/article/0AN_1KD9q990PEnw.html).
- Kramer, Kwindla, "g-speak at RISD, Fall 2009," Oblong Industries, Inc. Web Log, Oct. 29, 2009, 1 page; <http://oblong.com/article/09uW060q6xRIZYvm.html>.
- Kramer, Kwindla, "g-speak + TMG," Oblong Industries, Inc. Web Log, Mar. 24, 2009, 1 page; <http://oblong.com/article/08mM77zpYMm7kFtv.html>.
- "g-stalt version 1," video clip, YouTube.com, posted by ziggles on Mar. 15, 2009, 1 page; <http://youtube.com/watch?v=k82AqI4mdvk>.
- Underkoffler, John, "Carlton Sparrell speaks at MIT," Oblong Industries, Inc. Web Log, Oct. 30, 2009, 1 page; <http://oblong.com/article/09usAB411Ukb6CPw.html>.
- Underkoffler, John, "Carlton Sparred at MIT Media Lab," video clip, Vimeo.com, 1 page, [Retrieved and printed Dec. 1, 2010] <http://vimeo.com/7355992>.
- Underkoffler, John, "Oblong at Altitude: Sundance 2009," Oblong Industries, Inc. Web Log, Jan. 20, 2009, 1 page; [http://oblong.com/article/08Sr62ron\\_2akg0D.html](http://oblong.com/article/08Sr62ron_2akg0D.html).
- Underkoffler, John, "Oblong's tamper system 1801011309," video clip, Vimeo.com, 1 page, [Retrieved and printed Dec. 1, 2010] <http://vimeo.com/2821182>.
- Feld, Brad, "Science Fact," Oblong Industries, Inc. Web Log, Nov. 13, 2008, 2 pages, <http://oblong.com/article/084H-PKI5Tb9I4Ti.html>.
- Kwindla Kramer, "g-speak in slices," Oblong Industries, Inc. Web Log, Nov. 13, 2008, 6 pages; <http://oblong.com/article/0866JqfNrFg1NeuK.html>.
- Underkoffler, John, "Origins: arriving here," Oblong Industries, Inc. Web Log, Nov. 13, 2008, 5 pages; <http://oblong.com/article/085zBpRSY9JeLv2z.html>.
- Rishel, Christian, "Commercial overview: Platform and Products," Oblong Industries, Inc., Nov. 13, 2008, 3 pages; <http://oblong.com/article/086E19gPvDcktAf9.html>.
- U.S. Appl. No. 12/234,291, filed Sep. 19, 2008, entitled "System and Method for Enabling Communication Sessions in a Network Environment," Inventors: Yifan Gao et al.
- U.S. Appl. No. 12/366,593, filed Feb. 5, 2009, entitled "System and Method for Depth Perspective Image Rendering," Inventors: J. William Mauchly et al.
- U.S. Appl. No. 12/475,075, filed May 29, 2009, entitled "System and Method for Extending Communications Between Participants in a Conferencing Environment," Inventors: Brian J. Baldino et al.
- U.S. Appl. No. 12/400,540, filed Mar. 9, 2009, entitled "System and Method for Providing Three Dimensional Video Conferencing in a Network Environment," Inventors: Karthik Dakshinamoorthy et al.
- U.S. Appl. No. 12/400,582, filed Mar. 9, 2009, entitled "System and Method for Providing Three Dimensional Imaging in a Network Environment," Inventors: Shmuel Shaffer et al.
- U.S. Appl. No. 12/539,461, filed Aug. 11, 2009, entitled "System and Method for Verifying Parameters in an Audiovisual Environment," Inventor: James M. Alexander.
- U.S. Appl. No. 12/463,505, filed May 11, 2009, entitled "System and Method for Translating Communications Between Participants in a Conferencing Environment," Inventors: Marthinus F. De Beer et al.
- U.S. Appl. No. 12/727,089, filed Mar. 18, 2010, entitled "System and Method for Enhancing Video Images in a Conferencing Environment," Inventors: Joseph T. Friel.
- U.S. Appl. No. 12/781,722, filed May 17, 2010, entitled "System and Method for Providing Retracting Optics in a Video Conferencing Environment," Inventor(s): Joseph T. Friel, et al.
- U.S. Appl. No. 12/877,833, filed Sep. 8, 2010, entitled "System and Method for Skip Coding During Video Conferencing in a Network Environment," Inventors: Dihong Tian et al.
- U.S. Appl. No. 12/870,687, filed Aug. 27, 2010, entitled "System and Method for Producing a Performance Via Video Conferencing in a Network Environment," Inventors: Michael A. Arnao et al.

- U.S. Appl. No. 12/912,556, filed Oct. 26, 2010, entitled "System and Method for Provisioning Flows in a Mobile Network Environment," Inventors: Balaji Vankat Vankataswami, et al.
- U.S. Appl. No. 12/949,614, filed Nov. 18, 2010, entitled "System and Method for Managing Optics in a Video Environment," Inventors: Torence Lu, et al.
- U.S. Appl. No. 12/873,100, filed Aug. 31, 2010, entitled "System and Method for Providing Depth Adaptive Video Conferencing," Inventors: J. William Mauchly et al.
- U.S. Appl. No. 12/946,679, filed Nov. 15, 2010, entitled "System and Method for Providing Camera Functions in a Video Environment," Inventors: Peter A.J. Fornell, et al.
- U.S. Appl. No. 12/946,695, filed Nov. 15, 2010, entitled "System and Method for Providing Enhanced Audio in a Video Environment," Inventors: Wei Li, et al.
- U.S. Appl. No. 12/907,914, filed Oct. 19, 2010, entitled "System and Method for Providing Videomail in a Network Environment," Inventors: David J. Mackie et al.
- U.S. Appl. No. 12/907,919, filed Oct. 19, 2010, entitled "System and Method for Providing Connectivity in a Network Environment," Inventors: David J. Mackie et al.
- U.S. Appl. No. 12/946,704, filed Nov. 15, 2010, entitled "System and Method for Providing Enhanced Graphics in a Video Environment," Inventors: John M. Kanalakis, Jr., et al.
- U.S. Appl. No. 12/957,116, filed Nov. 30, 2010, entitled "System and Method for Gesture Interface Control," Inventors: Shuan K. Kirby, et al.
- U.S. Appl. No. 12/907,925, filed Oct. 19, 2010, entitled "System and Method for Providing a Pairing Mechanism in a Video Environment," Inventors: Gangfeng Kong et al.
- U.S. Appl. No. 12/939,037, filed Nov. 3, 2010, entitled "System and Method for Managing Flows in a Mobile Network Environment," Inventors: Balaji Venkat Venkataswami et al.
- U.S. Appl. No. 12/946,709, filed Nov. 15, 2010, entitled "System and Method for Providing Enhanced Graphics in a Video Environment," Inventors: John M. Kanalakis, Jr., et al.
- U.S. Appl. No. 12/784,257, filed May 20, 2010, entitled "Implementing Selective Image Enhancement," Inventors: Dihong Tian et al.
- Design U.S. Appl. No. 29/375,624, filed Sep. 24, 2010, entitled "Mounted Video Unit," Inventor(s): Ashok T. Desai et al.
- Design U.S. Appl. No. 29/375,627, filed Sep. 24, 2010, entitled "Mounted Video Unit," Inventor(s): Ashok T. Desai et al.
- Design U.S. Appl. No. 29/369,951, filed Sep. 15, 2010, entitled "Video Unit With Integrated Features," Inventor(s): Kyle A. Buzzard et al.
- Design U.S. Appl. No. 29/375,458, filed Sep. 22, 2010, entitled "Video Unit With Integrated Features," Inventor(s): Kyle A. Buzzard et al.
- Design U.S. Appl. No. 29/358,009, filed Mar. 21, 2010, entitled "Free-Standing Video Unit," Inventor(s): Ashok T. Desai et al.
- Design U.S. Appl. No. 29/375,619, filed Sep. 24, 2010, entitled "Freestanding Video Unit," Inventor(s): Ashok T. Desai et al.
- PCT "International Search Report and the Written Opinion of the International Searching Authority, or the Declaration," PCT/US2010/026456, dated Jun. 29, 2010; 11 pages.
- PCT "Notification of Transmittal of the International Search Report and the Written Opinion of the International Searching Authority, or the Declaration," PCT/US2009/001070, dated Apr. 4, 2009; 14 pages.
- PCT "Notification of Transmittal of the International Search Report and the Written Opinion of the International Searching Authority, or the Declaration," PCT/US2009/038310; dated Oct. 10, 2009; 17 pages.
- PCT "International Preliminary Report on Patentability and Written Opinion of the International Searching Authority," PCT/US2009/038310; dated Sep. 28, 2010; 10 pages.
- PCT "International Preliminary Report on Patentability dated Sep. 29, 2009, International Search Report, and Written Opinion," for PCT International Application PCT/US2008/058079; dated Sep. 18, 2008, 10 pages.
- "3D Particles Experiments in AS3 and Flash CS3," [retrieved and printed on Mar. 18, 2010]; 2 pages; <http://www.flashandmath.com/advanced/fourparticles/notes.html>.
- 3G, "World's First 3G Video Conference Service with New TV Commercial," Apr. 28, 2005, 4 pages; <http://www.3g.co.uk/PR/April2005/1383.htm>.
- Digital Video Enterprises, "DVE Eye Contact Silhouette," 1 page, © DVE 2008; <http://www.dvetelepresence.com/products/eyeContactSilhouette.asp>.
- France Telecom R&D, "France Telecom's Magic Telepresence Wall—Human Productivity Lab," 5 pages, retrieved and printed on May 17, 2010; [http://www.humanproductivitylab.com/archive\\_blogs/2006/07/11/france\\_telecoms\\_magic\\_telepres\\_1.php](http://www.humanproductivitylab.com/archive_blogs/2006/07/11/france_telecoms_magic_telepres_1.php).
- Joshua Gluckman and S.K. Nayar, "Rectified Catadioptric Stereo Sensors," 8 pages, retrieved and printed on May 17, 2010; <http://cis.poly.edu/~gluckman/papers/cypr00.pdf>.
- R.V. Kollarits, et al., "34.3: An Eye Contact Camera/Display System for Videophone Applications Using a Conventional Direct-View LCD," © 1995 SID, ISSN0097-0966X/95/2601, pp. 765-768; <http://citeseerx.ist.psu.edu/viewdoc/download;jsessionid=47A1E7E028C26503975E633895D114EC?doi=10.1.1.42.1772&rep=rep1&type=pdf>.
- Trevor Darrell, "A Real-Time Virtual Mirror Display," 1 page, Sep. 9, 1998; <http://people.csail.mit.edu/trevor/papers/1998-021/node6.html>.
- Video on TED.com, Pranav Mistry: the Thrilling Potential of SixthSense Technology (5 pages) and Interactive Transcript (5 pages), retrieved and printed on Nov. 30, 2010; [http://www.ted.com/talks/pranav\\_mistry\\_the\\_thrilling\\_potential\\_of\\_sixthsense\\_technology.html](http://www.ted.com/talks/pranav_mistry_the_thrilling_potential_of_sixthsense_technology.html).
- Chien et al., "Efficient moving Object Segmentation Algorithm Using Background Registration Technique," IEEE Transactions on Circuits and Systems for Video Technology, vol. 12, No. 7, Jul. 2002, 10 pages.
- EPO Jul. 10, 2012 Response to EP Communication from European Application EP10723445.2.
- EPO Sep. 24, 2012 Response to Mar. 20, 2012 EP Communication from European Application EP09725288.6.
- PRC Aug. 3, 2012 SIPO First Office Action from Chinese Application No. 200980119121.5; 16 pages.

\* cited by examiner

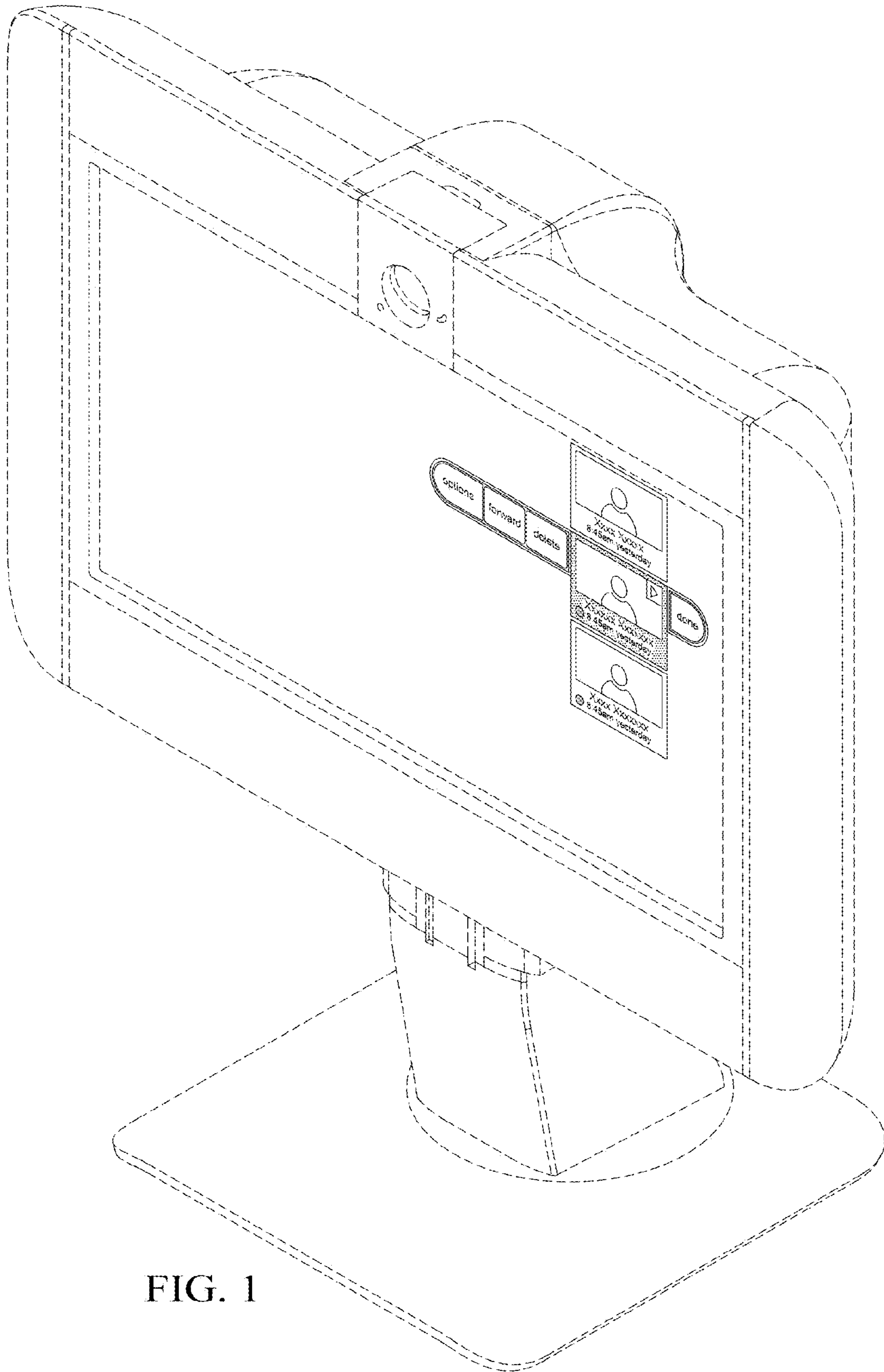


FIG. 1

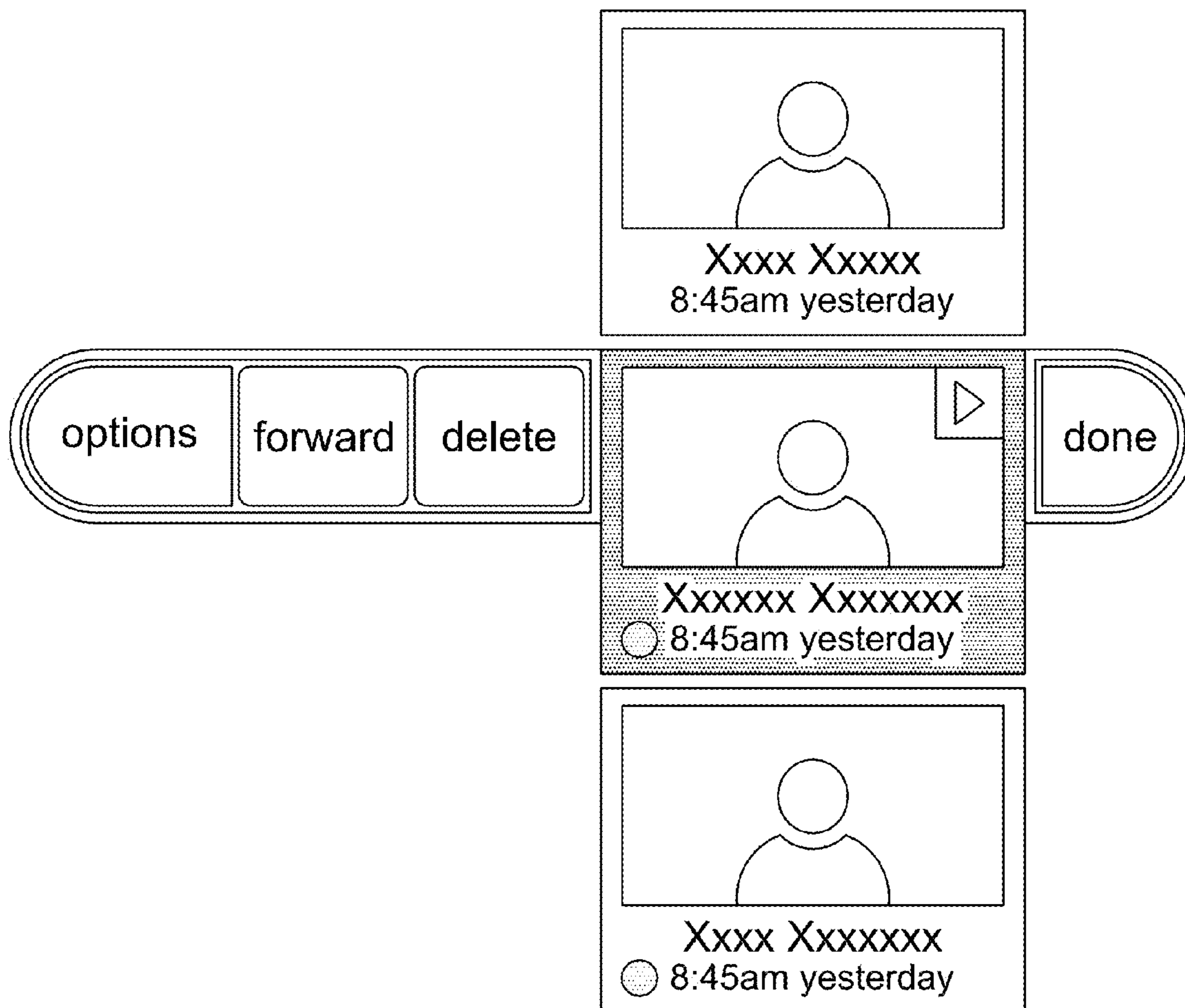


FIG. 2

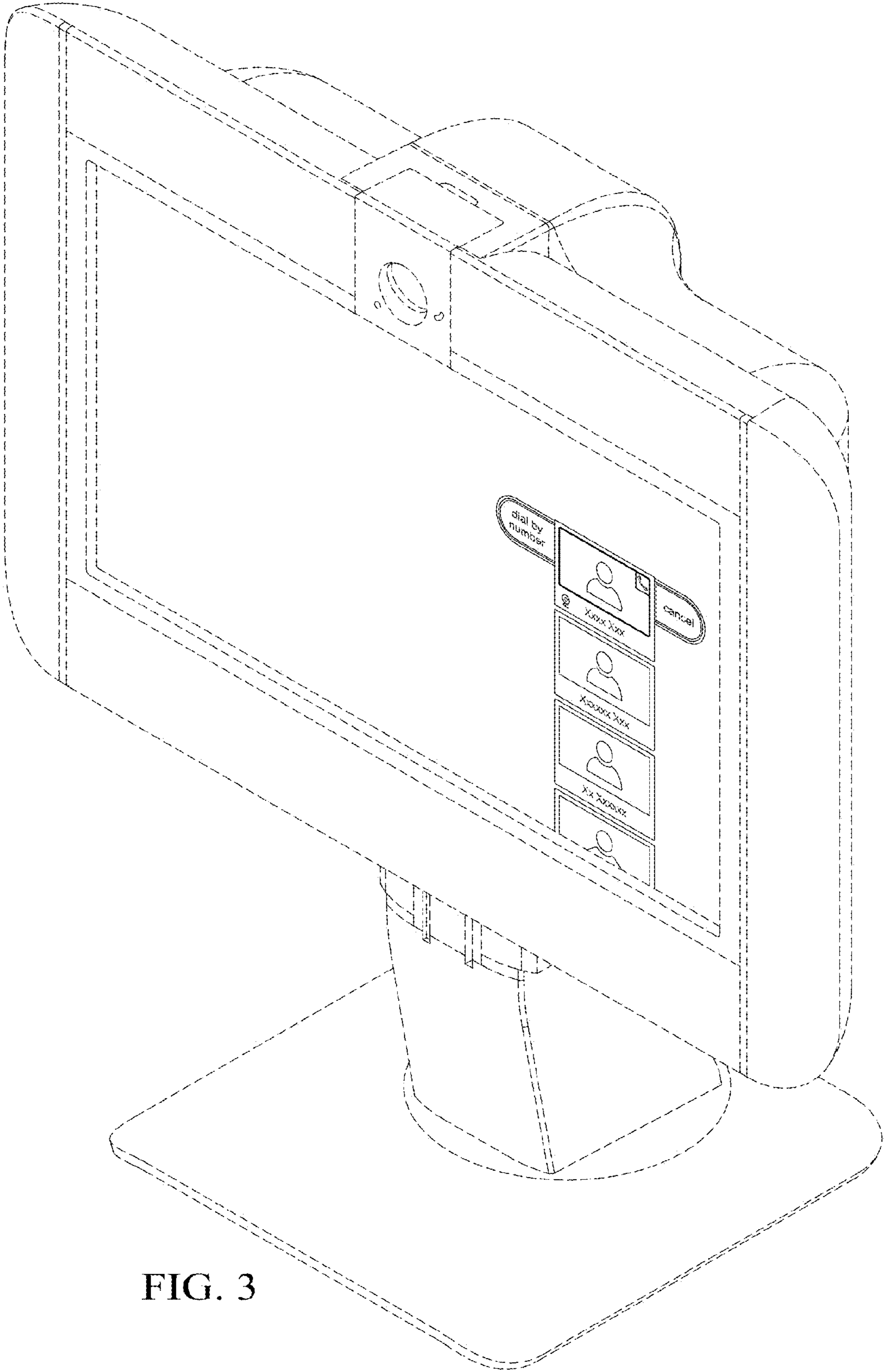


FIG. 3

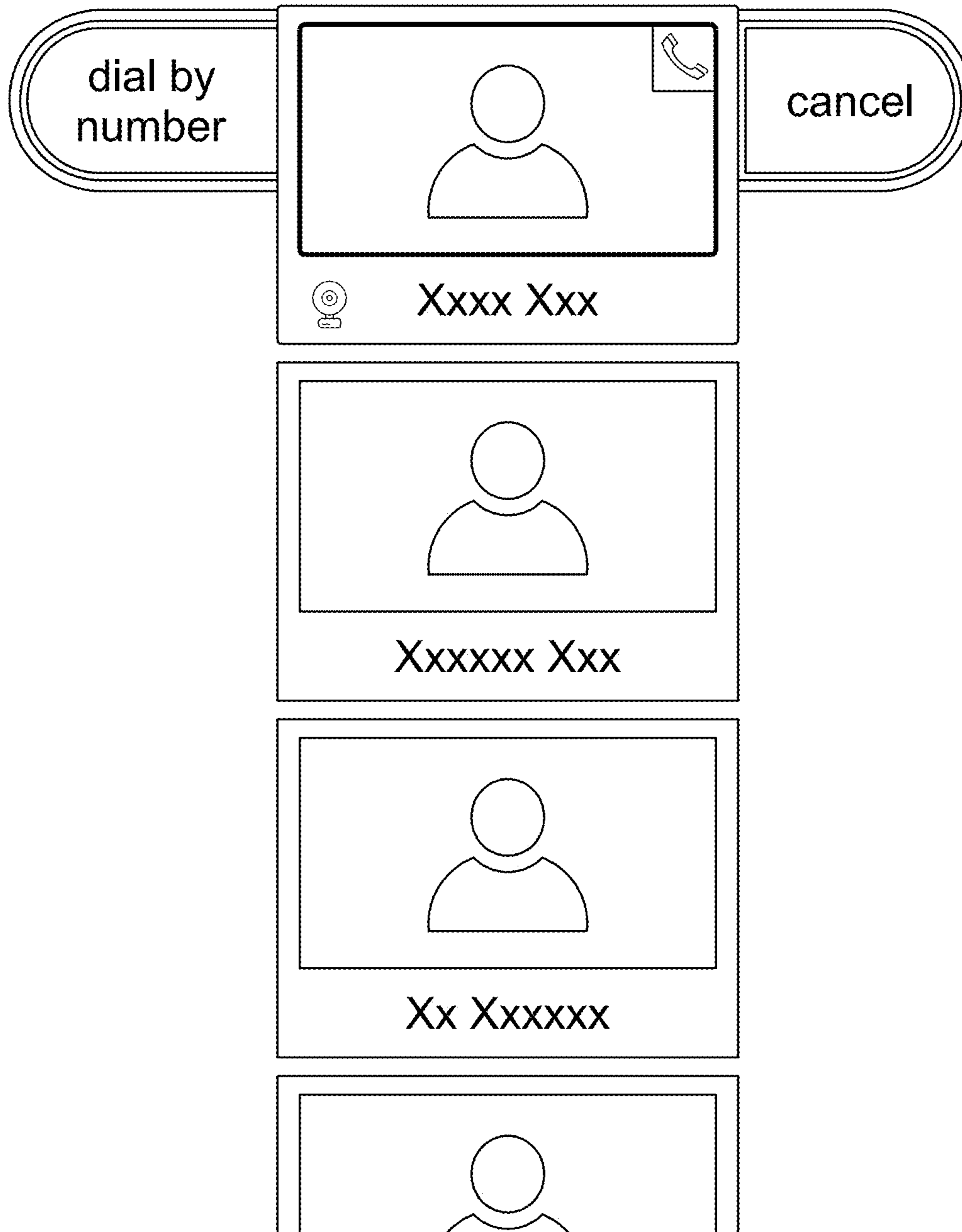


FIG. 4

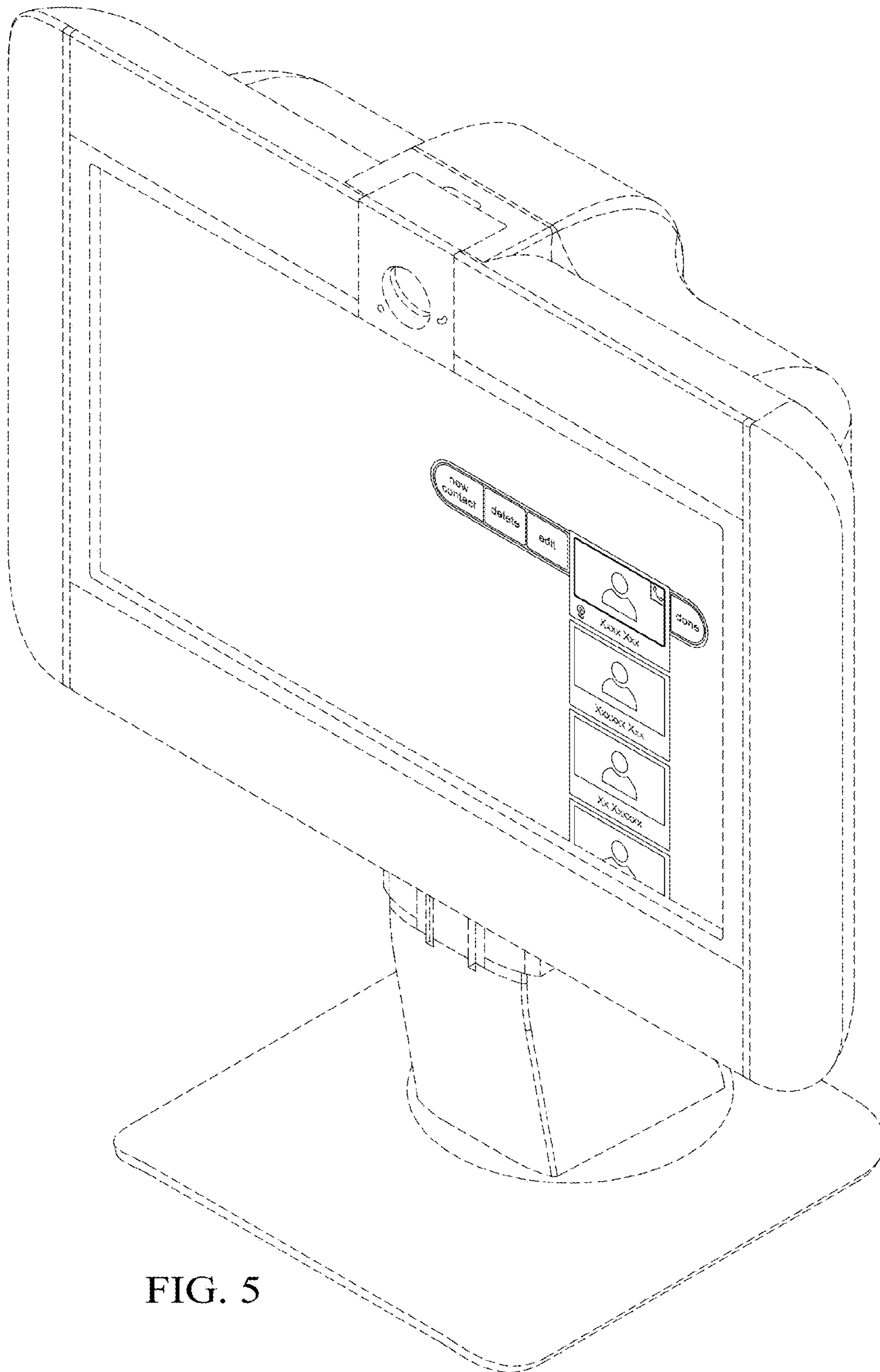


FIG. 5



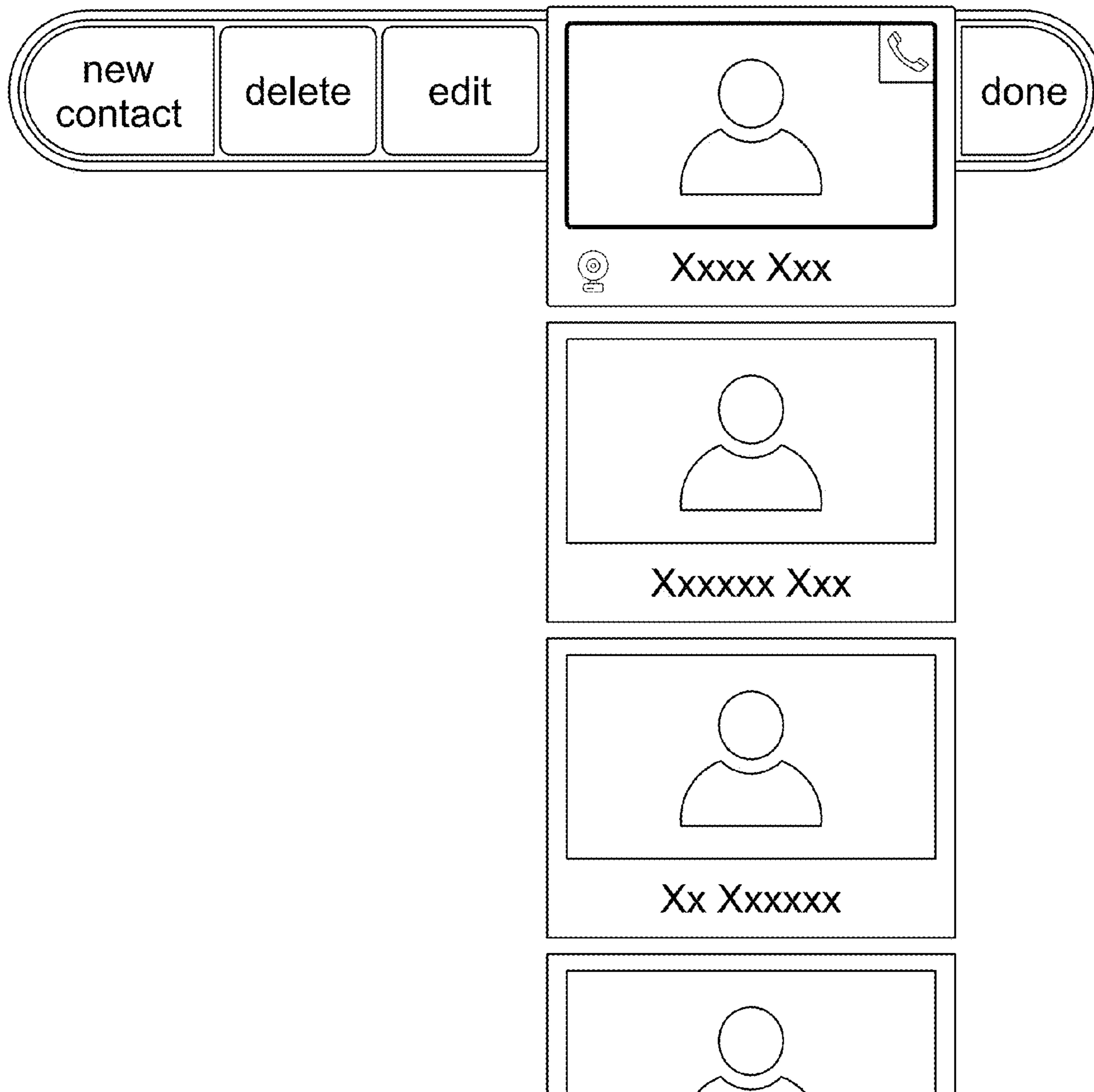


FIG. 6