



US00D682841S

(12) **United States Design Patent**
Suetake et al.

(10) **Patent No.:** **US D682,841 S**
(45) **Date of Patent:** **** May 21, 2013**

(54) **INFORMATION RECORDING MEDIUM**

(75) Inventors: **Fumiyoshi Suetake**, Kyoto (JP);
Toshiaki Iwao, Kyoto (JP); **Masato Ibuki**, Kyoto (JP); **Yasuhisa Kitano**, Kyoto (JP)

(73) Assignee: **Nintendo Co., Ltd.**, Kyoto (JP)

(**) Term: **14 Years**

(21) Appl. No.: **29/429,322**

(22) Filed: **Aug. 9, 2012**

(30) **Foreign Application Priority Data**

Feb. 9, 2012 (JP) 2012-002738

(51) **LOC (9) Cl.** **14-02**

(52) **U.S. Cl.**
USPC **D14/480.1**

(58) **Field of Classification Search** D14/411,
D14/433, 435.1, 436, 480.1–480.7, 484.1,
D14/137, 155, 203.1–203.8, 24, 218; D13/133,
D13/154; 361/679.31, 679.33, 679.4, 752;
439/131, 135–147; 710/300, 301; 711/100,
711/115

See application file for complete search history.

(56) **References Cited**

U.S. PATENT DOCUMENTS

D269,088 S * 5/1983 Genaro et al. D14/137
D297,518 S * 9/1988 Yuen D10/106.1
D325,049 S * 3/1992 Cordell D21/333
D449,615 S * 10/2001 Lloyd D14/435.1
D463,426 S * 9/2002 Cheng D14/480.1
7,074,052 B1 * 7/2006 Ni et al. 439/76.1
D525,977 S * 8/2006 Yao D14/436
D531,228 S * 10/2006 Ashida et al. D21/332
D536,382 S 2/2007 Sugino et al.

D559,178 S * 1/2008 Ashida et al. D13/110
D576,686 S * 9/2008 Ashida et al. D21/332
D610,156 S * 2/2010 Mudrick D14/480.5
D619,128 S * 7/2010 Tong et al. D14/240
D623,753 S * 9/2010 Saffer et al. D24/186
D627,400 S * 11/2010 Suetake et al. D21/332
7,896,664 B1 * 3/2011 Chou et al. 439/131
D647,099 S * 10/2011 Boucard D14/480.7
D652,046 S * 1/2012 Belan D14/480.6
D656,144 S * 3/2012 Schlosstein D14/480.1
8,382,495 B1 * 2/2013 Ma 439/131
2006/0056145 A1 * 3/2006 Wu et al. 361/684
2011/0157846 A1 * 6/2011 Xiao et al. 361/752
2011/0272308 A1 * 11/2011 Andre 206/320

OTHER PUBLICATIONS

Official Nintendo USB Memory Ain't Cheap, [online] posted Jul. 26, 2012 [retrieved on Mar. 22, 2013]. Retrieved from the Internet <URL: <http://kotaku.com/5929193/official-nintendo-usb-memory-aint-cheap>>.*

* cited by examiner

Primary Examiner — Karen E Kearney

(74) *Attorney, Agent, or Firm* — Nixon & Vanderhye, P.C.

(57) **CLAIM**

The ornamental design for an information recording medium, as shown and described.

DESCRIPTION

FIG. 1 is a front, left and bottom perspective view of an information recording medium showing our new design; FIG. 2 is a rear, right and top perspective view thereof; FIG. 3 is a front view thereof; FIG. 4 is a rear view thereof; FIG. 5 is a top plan view thereof; FIG. 6 is a bottom pan view thereof; FIG. 7 is a left side view thereof; and, FIG. 8 is a right side view thereof.

1 Claim, 3 Drawing Sheets

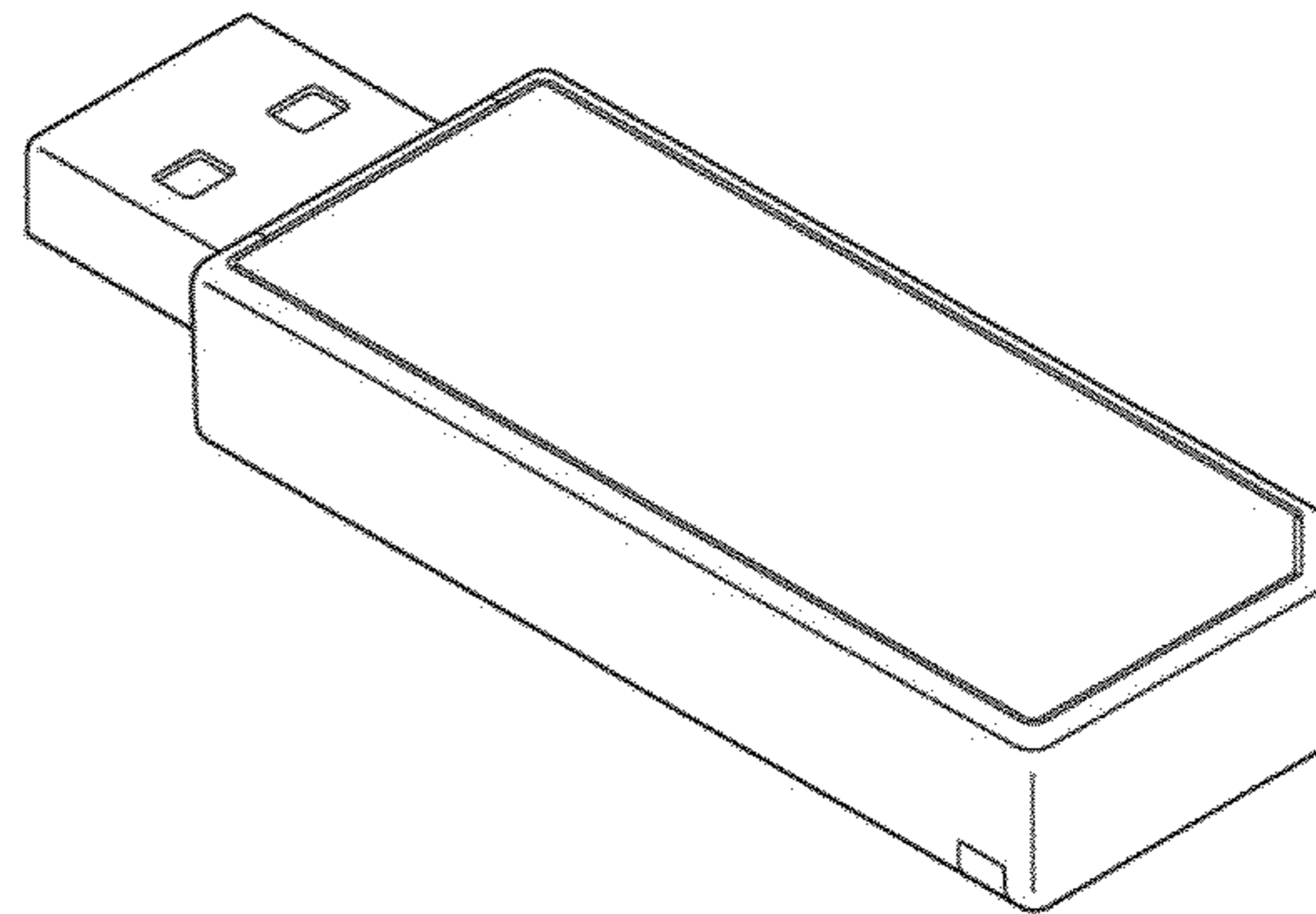
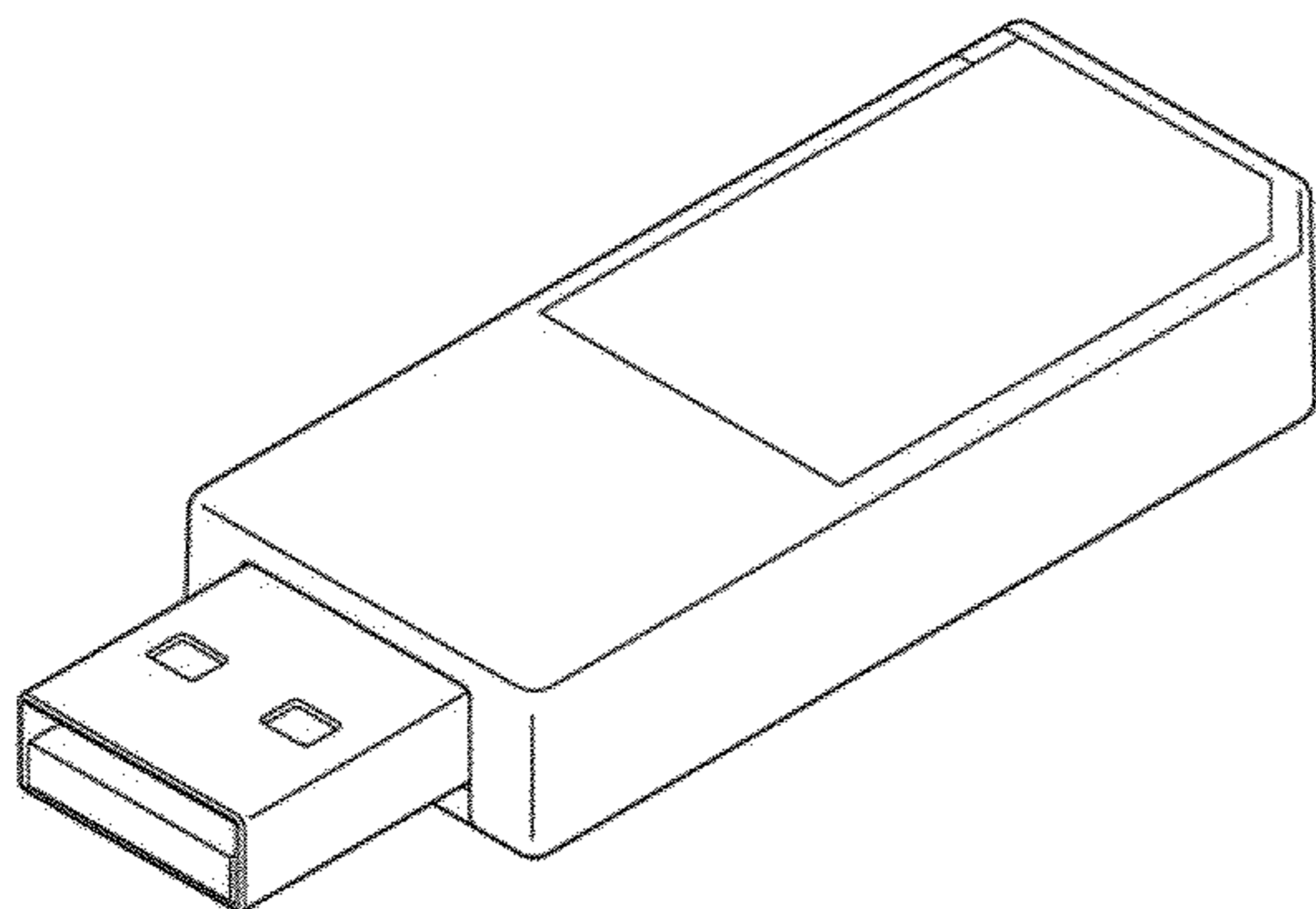


FIG. 1

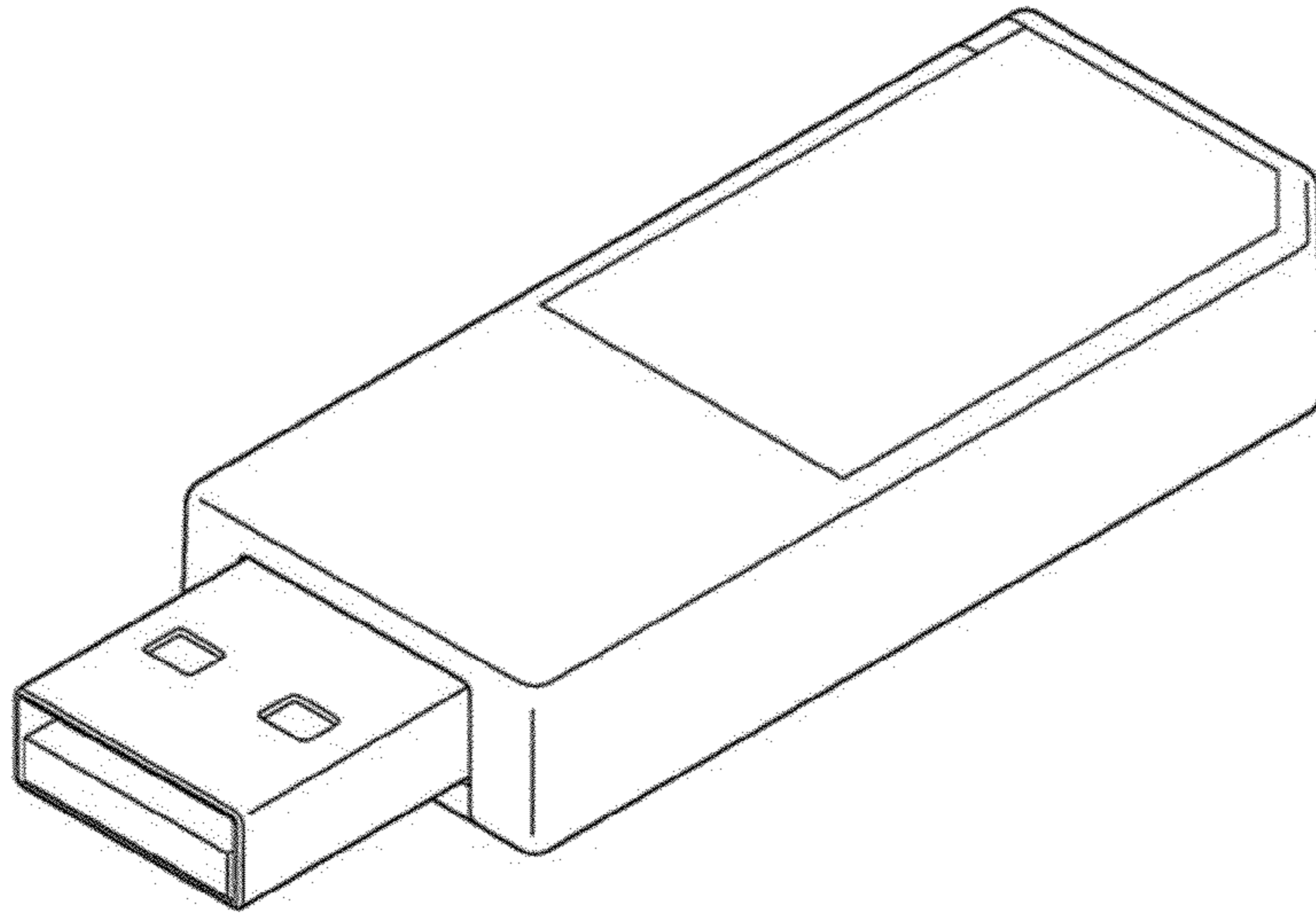


FIG. 2

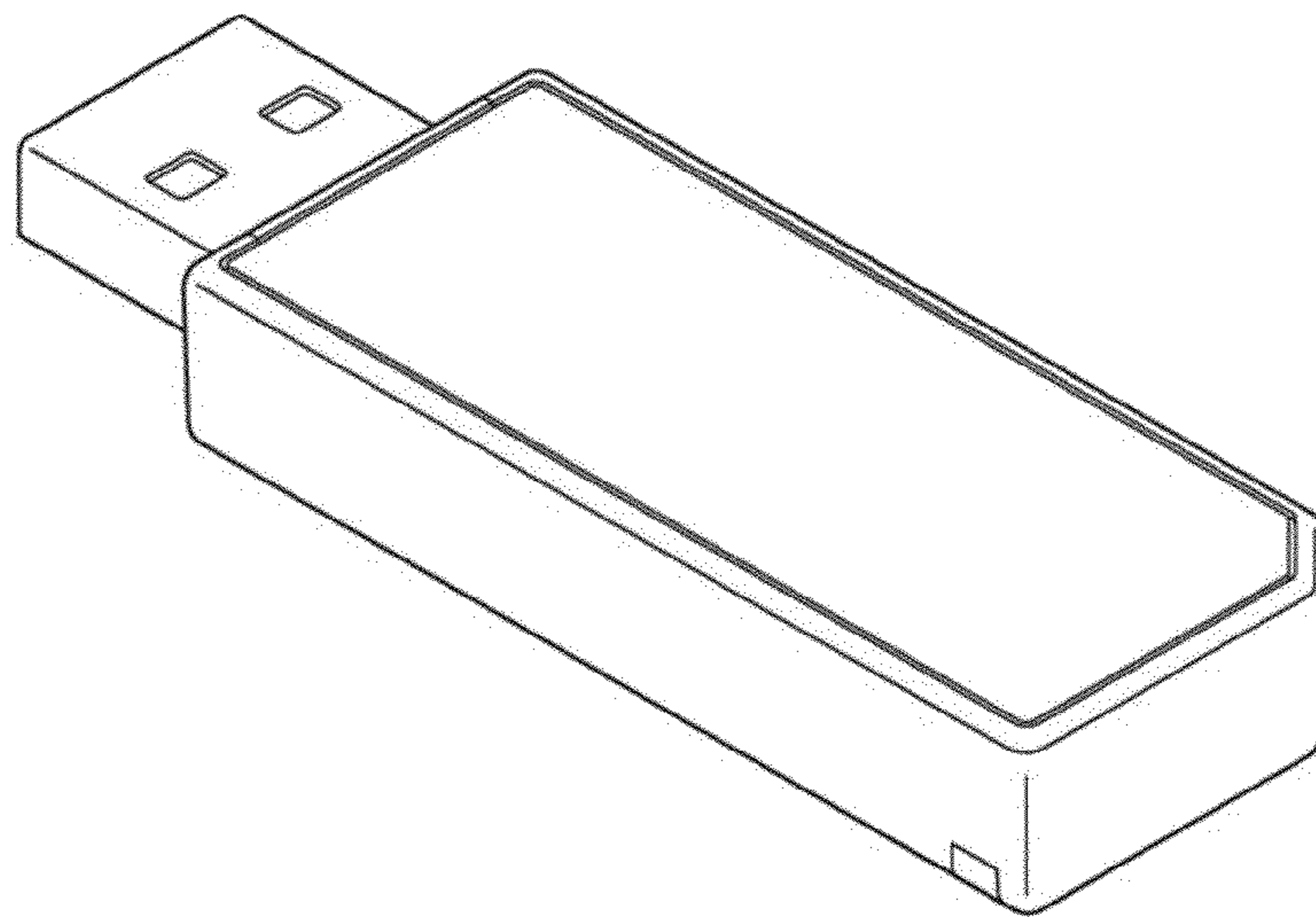


FIG. 3

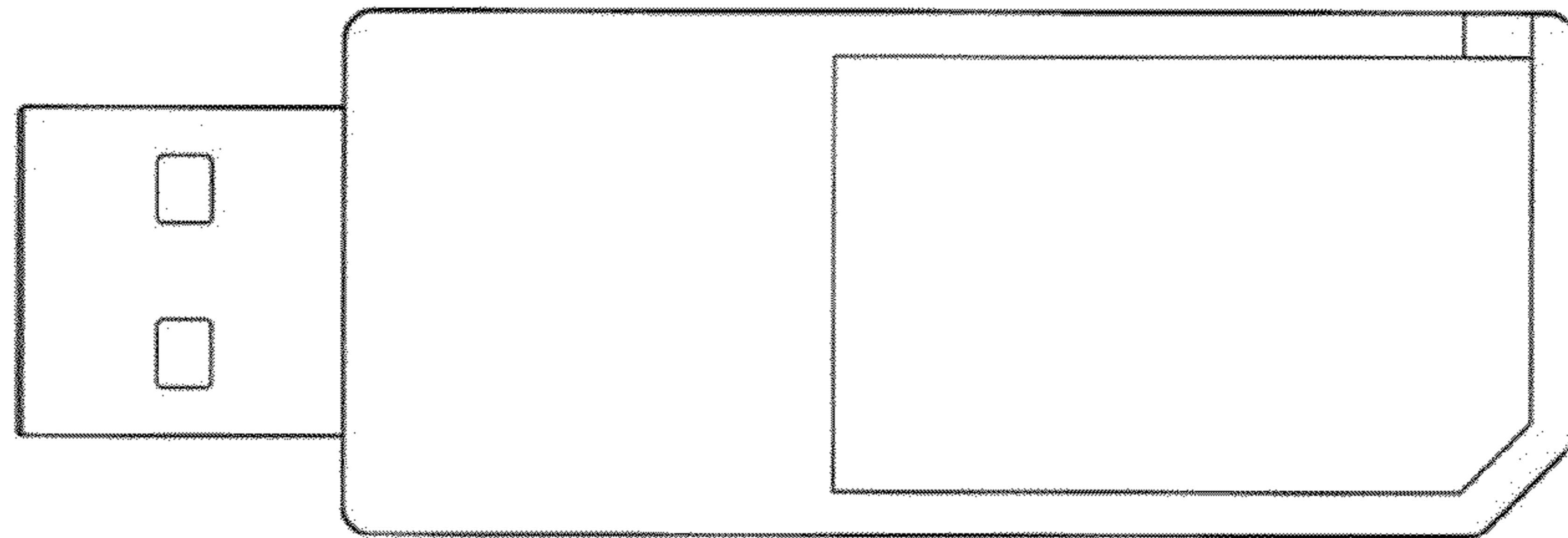


FIG. 4

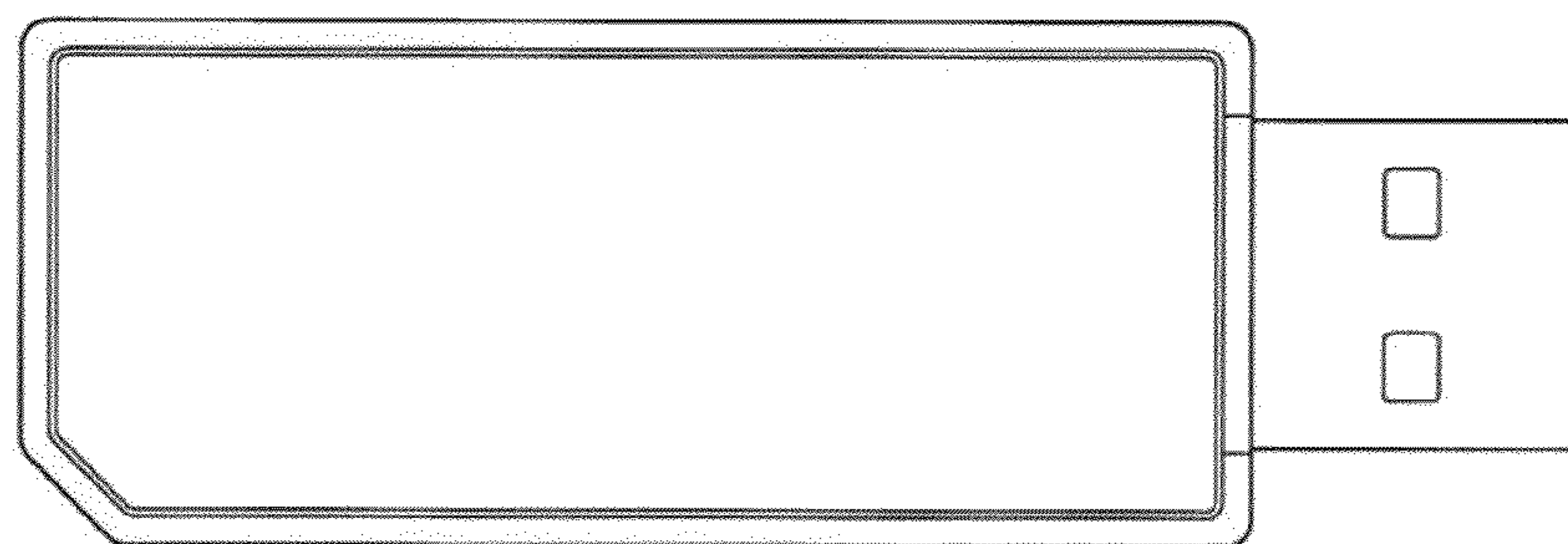


FIG. 5

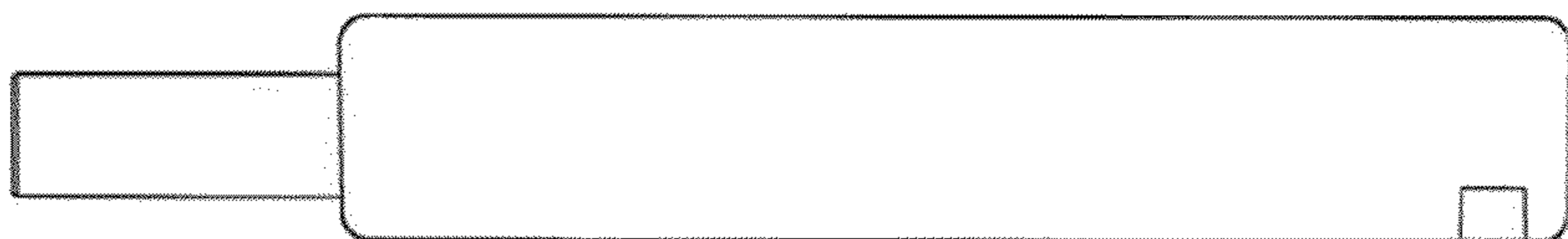


FIG. 6



FIG. 7

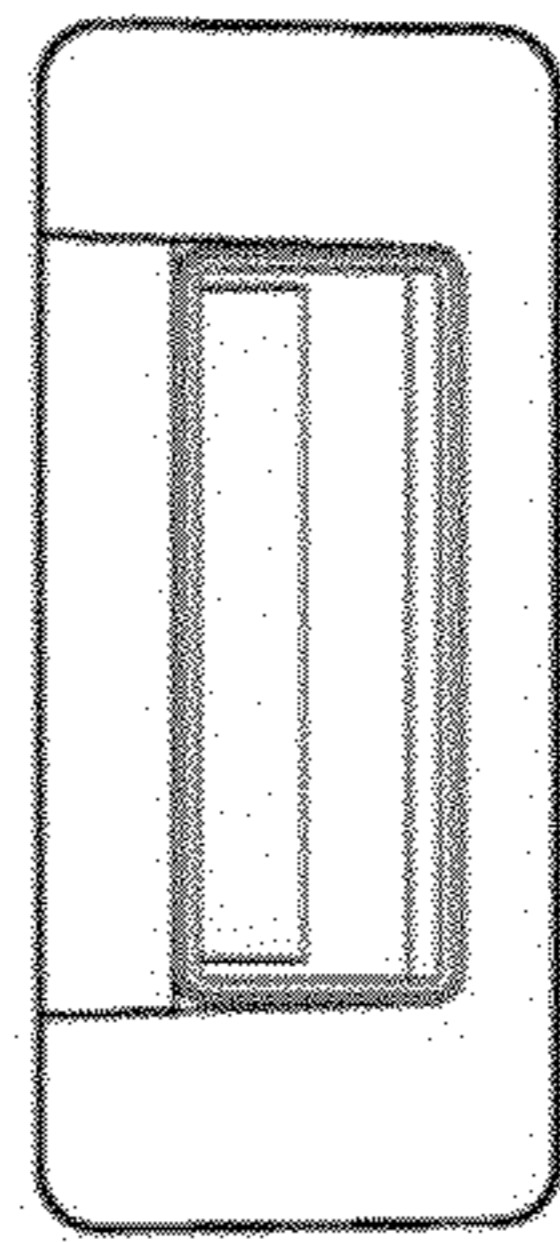


FIG. 8

