



US00D682838S

(12) **United States Design Patent**
Akana et al.

(10) **Patent No.:** **US D682,838 S**
(45) **Date of Patent:** **** May 21, 2013**

(54) **COVER**

(75) Inventors: **Jody Akana**, San Francisco, CA (US);
Bartley K. Andre, Menlo Park, CA (US);
Jeremy Bataillou, San Francisco, CA (US);
Daniel J. Coster, San Francisco, CA (US);
Daniele De Iuliis, San Francisco, CA (US);
Evans Hankey, San Francisco, CA (US);
Julian Hoenig, San Francisco, CA (US);
Richard P. Howarth, San Francisco, CA (US);
Jonathan P. Ive, San Francisco, CA (US);
Duncan Robert Kerr, San Francisco, CA (US);
Shin Nishibori, Kailua, HI (US);
Matthew Dean Rohrbach, San Francisco, CA (US);
Peter Russell-Clarke, San Francisco, CA (US);
Christopher J. Stringer, Woodside, CA (US);
Eugene Antony Whang, San Francisco, CA (US);
Rico Zorkendorfer, San Francisco, CA (US)

D3/276, 294, 301, 319, 203.1, 323, 227;
224/929; 708/110; 190/109, 100, 119, 901;
361/683, 725, 681, 686, 679; 229/87.5, 67.1,
229/800; 220/522, 4.23; 345/169, 104, 156,
345/168, 173, 179, 672, 174; 150/147, 135;
402/2, 70-79, 500-502; 281/45, 38, 31,
281/29, 19.1, 34; D19/3, 26, 27, 33, 75,
D19/86, 22, 90, 59, 60, 78, 83; D18/7, 17,
D18/18; 383/97, 4, 110; 178/18.03, 18.01;
349/12; 428/332; D6/632, 407, 596, 601,
D6/310, 611, 502, 583, 582, 595; 248/458;
D13/102, 184; D20/18, 27, 42; 40/654.01,
40/536; D15/122; D21/480, 690; D25/48;
D12/401, 182, 203, 400, 191; D24/205,
D24/206, 200, 188, 207, 212, 215; 280/808;
112/420; 5/420; 604/308; 601/15, 108,
601/112, 60, 64, 70, 71; 160/370.23, 370.21;
D7/629, 392.1; D28/7, 8, 83, 84, 82; 15/118;
D32/40; 424/443; 442/123; D23/304; D9/435
See application file for complete search history.

(73) Assignee: **Apple Inc.**, Cupertino, CA (US)

(**) Term: **14 Years**

(21) Appl. No.: **29/432,296**

(22) Filed: **Sep. 14, 2012**

Related U.S. Application Data

(63) Continuation of application No. 29/418,778, filed on Apr. 20, 2012, now Pat. No. Des. 671,948, which is a continuation of application No. 29/375,197, filed on Sep. 17, 2010, now Pat. No. Des. 658,186.

(51) **LOC (9) Cl.** **14-02**

(52) **U.S. Cl.**
USPC **D14/440**

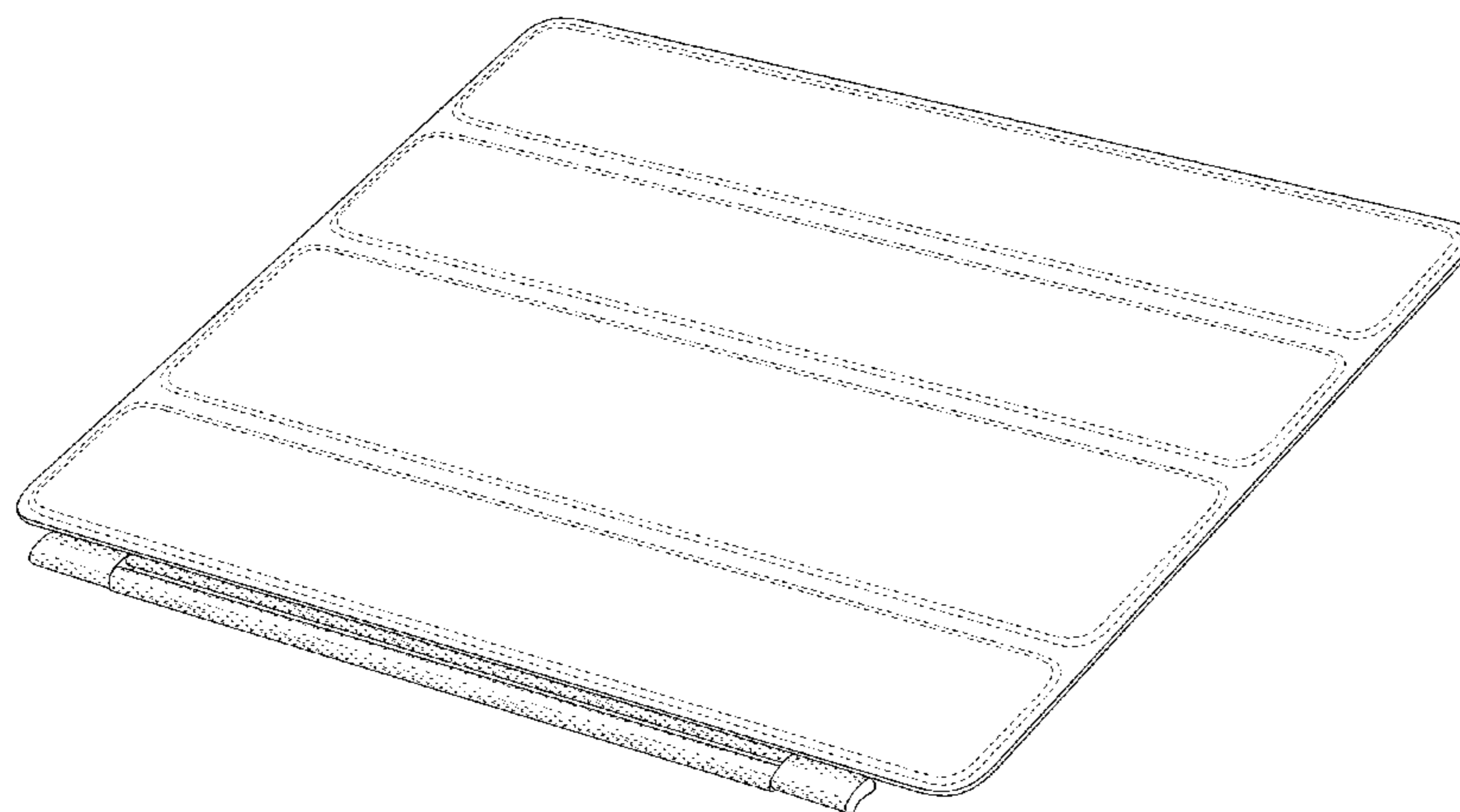
(58) **Field of Classification Search** D14/439,
D14/440, 345, 341-344, 346, 371, 125-129,
D14/327, 248; 206/320, 576, 305, 215, 232,
206/524, 425, 472, 224, 312, 387.13, 307,
206/3, 87.1, 756; D3/286, 283, 295, 273,
D3/303, 247, 215, 245, 232, 900, 249, 201,

(56)

References Cited

U.S. PATENT DOCUMENTS

144,315 A	11/1873	Cooper
1,347,839 A	7/1920	Coons
1,356,593 A	10/1920	Bettiker
1,659,395 A	2/1928	Douglas
D104,699 S	5/1937	Pilliod
D123,984 S	12/1940	Pichel
2,279,164 A	4/1942	Gettleman
D137,864 S	5/1944	Jolles
D164,628 S	9/1951	Davis
D167,065 S	6/1952	Bohanan
D167,743 S	6/1952	Dorfman
2,631,046 A	3/1953	Stephens
2,834,703 A	5/1958	Atkinson
2,983,431 A	5/1961	Turan
3,015,834 A	1/1962	Marrinson et al.
3,257,128 A	6/1966	Schneider
3,336,610 A	8/1967	Geddings
3,460,744 A	8/1969	Turkenkopf
3,587,578 A	6/1971	Walker
3,735,516 A	5/1973	Wenstrom
3,758,065 A	9/1973	Ranseen
3,797,146 A	3/1974	Holes
D232,825 S	9/1974	Gerber
3,970,332 A	7/1976	Alford, Jr.



US D682,838 S

D245,458 S	8/1977	Hauss et al.	D442,321 S	5/2001	Cheng
4,044,942 A	8/1977	Sherwood	D445,744 S	7/2001	Hsing
D251,082 S	2/1979	Petrie	D446,982 S	8/2001	Block
D255,523 S	6/1980	Yarabinec	6,289,968 B1	9/2001	Karten et al.
D255,524 S	6/1980	Yarabinec	D449,927 S	11/2001	Dorizas
D258,723 S	3/1981	Cornou	6,388,872 B1 *	5/2002	Liao et al. 361/679.34
4,310,117 A	1/1982	Gullett	6,427,371 B2	8/2002	Olson et al.
D265,561 S *	7/1982	Cottrell D14/448	6,493,969 B2	12/2002	Devos
4,416,375 A *	11/1983	Braverman et al. 206/534.1	D468,868 S	1/2003	Thorpe et al.
D274,493 S	7/1984	Dyby	6,527,330 B1	3/2003	Steffens et al.
D275,153 S	8/1984	Weinreb	D473,939 S	4/2003	Hantke et al.
4,566,720 A	1/1986	Goldman et al.	D473,940 S	4/2003	Hantke et al.
D283,231 S	4/1986	Bradenburger	6,539,653 B1	4/2003	Finke
4,592,358 A	6/1986	Westplate	6,568,005 B2	5/2003	Fleming et al.
4,621,729 A	11/1986	Jackson	D480,971 S	10/2003	DeLuca et al.
4,629,070 A	12/1986	Roberg	6,634,691 B2	10/2003	Henderson
4,643,544 A	2/1987	Loughran	D484,736 S	1/2004	Sarnoff
4,671,334 A	6/1987	Yadegar et al.	D485,837 S *	1/2004	Tseng et al. D14/345
4,693,495 A	9/1987	LaPointe	D487,521 S	3/2004	Link
D293,428 S	12/1987	Watts	D487,551 S	3/2004	Lee
D296,006 S	5/1988	Asche	6,702,359 B2	3/2004	Armstrong et al.
D297,228 S	8/1988	Harpaz et al.	6,763,942 B1	7/2004	Yeh
4,787,766 A	11/1988	Lorsch	D494,469 S	8/2004	Solowiejko
4,877,074 A	10/1989	Castellano	6,772,879 B1	8/2004	Domotor
D306,438 S *	3/1990	Garmon et al. D14/440	D496,322 S	9/2004	Farney et al.
D306,850 S	3/1990	Beedy	D498,308 S	11/2004	Mock
D308,760 S	6/1990	King	D505,041 S	5/2005	Lesosky
D310,987 S	10/1990	Law et al.	6,887,486 B2	5/2005	Gregoire
D311,688 S	10/1990	Hodge	D511,838 S	11/2005	Vedra
D312,130 S	11/1990	Jones	D521,553 S	5/2006	Sterman
D312,214 S	11/1990	Hodge	7,037,021 B2	5/2006	Raschke
D312,835 S	12/1990	Holm	D527,535 S	9/2006	Sturba et al.
D313,964 S	1/1991	Fuller	D533,347 S	12/2006	Andre et al.
5,000,319 A	3/1991	Mermelstein	D538,096 S	3/2007	Bartell et al.
D317,329 S	6/1991	Annand	D538,575 S	3/2007	Bartell et al.
D318,372 S	7/1991	Mackey	D544,922 S	6/2007	Shaffer
D319,016 S	8/1991	Kahl	7,227,741 B2 *	6/2007	Garel et al. 361/679.27
D320,274 S	9/1991	Douglas	7,236,357 B2 *	6/2007	Chen 361/679.55
D321,091 S	10/1991	Dickinson	D548,782 S	8/2007	Nash
D321,761 S	11/1991	Shimizu	D550,137 S	9/2007	Kraines
5,066,158 A	11/1991	Huang	D551,265 S	9/2007	Brinson
5,092,354 A	3/1992	Pacelli, Jr.	D553,410 S	10/2007	Kramer
D325,637 S	4/1992	O'Brien et al.	D557,347 S	12/2007	Nishimoto
D327,046 S	6/1992	Eskandry et al.	D560,383 S	1/2008	Woods
D329,747 S	9/1992	Embree	7,318,521 B2	1/2008	Lau
D331,191 S	11/1992	Ventola et al.	7,322,063 B2	1/2008	Esimai
5,179,944 A	1/1993	McSymytz	D564,223 S	3/2008	Messineo
5,207,958 A	5/1993	Tiegs	D565,196 S	3/2008	Mock et al.
D341,373 S	11/1993	Stern	D566,111 S	4/2008	Nakagawa
D345,014 S	3/1994	Huffman	D572,709 S	7/2008	Nakagawa et al.
D352,357 S	11/1994	Ashley	7,398,868 B2	7/2008	Morszeck
D356,120 S	3/1995	Allen	D574,385 S *	8/2008	Koh et al. D14/440
5,431,449 A	7/1995	Arimoto et al.	D574,836 S *	8/2008	Koh et al. D14/440
D360,778 S	8/1995	Apt, III et al.	D574,962 S	8/2008	Atkins et al.
5,439,101 A	8/1995	Brink	7,435,103 B2	10/2008	Ma
5,450,858 A	9/1995	Zablotsky et al.	D581,857 S	12/2008	Bogard
D364,191 S	11/1995	Allen	D581,859 S	12/2008	Bogard
5,480,192 A	1/1996	Angerbauer et al.	D581,865 S	12/2008	Koza
5,487,566 A	1/1996	Hedge, Jr.	D582,047 S	12/2008	Yim
D369,998 S	5/1996	Eskandry	D582,475 S	12/2008	Guest
D370,177 S	5/1996	Bankier	D583,479 S	12/2008	Yim
D370,650 S	6/1996	Eskandry	D583,959 S	12/2008	Yim
5,566,871 A	10/1996	Weintraub	D584,141 S	1/2009	Smith et al.
D383,213 S	9/1997	Ingram	D584,612 S	1/2009	Ianello
D389,509 S	1/1998	Yasoshima	D587,797 S	3/2009	Blanchard
D389,646 S	1/1998	Sankey et al.	D587,812 S	3/2009	Uchiyama et al.
D390,007 S	2/1998	Ahern, Jr.	D592,402 S	5/2009	Ahlgrim et al.
D391,298 S	2/1998	Johnson et al.	D595,052 S	6/2009	Rohrbach et al.
D405,200 S	2/1999	Hines	D596,305 S	7/2009	Usui et al.
D406,463 S	3/1999	Rutledge	D597,302 S	8/2009	Adams et al.
5,887,723 A	3/1999	Myles et al.	D599,286 S	9/2009	Horito et al.
5,902,256 A	5/1999	Benaron	D599,484 S	9/2009	Gray et al.
D411,353 S	6/1999	Dickinson et al.	D599,761 S	9/2009	Birsel et al.
5,996,778 A *	12/1999	Shih 206/45.2	D599,959 S	9/2009	Washington
D418,867 S	1/2000	Platte, III	D600,699 S	9/2009	Johnston et al.
6,122,785 A	9/2000	Bondie et al.	7,584,841 B2	9/2009	Chan et al.
D432,477 S	10/2000	Gorodetsky	D601,369 S	10/2009	Mock et al.
D435,171 S	12/2000	Anderson	D602,598 S	10/2009	Yim
D436,179 S	1/2001	Small	D603,906 S	11/2009	Miller et al.

D604,727 S	11/2009	Chu et al.	
D605,940 S	12/2009	Lin	
D606,119 S	12/2009	Miller et al.	
D606,120 S	12/2009	Miller et al.	
D606,121 S	12/2009	Miller et al.	
7,635,811 B2	12/2009	Chen et al.	
D607,253 S	1/2010	McCammon	
D607,255 S	1/2010	Sunseri	
7,643,274 B2	1/2010	Bekele	
D609,360 S	2/2010	Yim	
D609,912 S	2/2010	Kyono et al.	
D613,062 S	4/2010	Romero et al.	
D613,982 S	4/2010	Wilson et al.	
D616,930 S	6/2010	Engel et al.	
7,735,644 B2	6/2010	Sirichai et al.	
D620,122 S	7/2010	Cotton	
D620,877 S	8/2010	Rusher et al.	
D622,061 S	8/2010	Higginson	
D623,940 S	9/2010	Ianello	
D624,615 S	9/2010	Kusmierz	
D627,078 S	11/2010	Matsuo et al.	
D627,117 S	11/2010	Hale	
D627,775 S	11/2010	Li	
D628,004 S	11/2010	Moorefield	
D628,132 S	11/2010	Grzyb et al.	
D628,197 S	11/2010	Li	
D628,705 S	12/2010	Usui et al.	
D628,706 S	12/2010	Usui et al.	
D629,195 S	12/2010	Jusic	
D629,914 S	12/2010	Hunter	
D631,912 S	2/2011	Epstein	
D632,660 S	2/2011	Donowho et al.	
D633,388 S	3/2011	Andre et al.	
D633,673 S	3/2011	McKnight	
D633,879 S	3/2011	Heng et al.	
D635,135 S	3/2011	Li	
D635,564 S	4/2011	Li	
D637,399 S	5/2011	Romero et al.	
D637,814 S	5/2011	Akana et al.	
D638,526 S	5/2011	Newman	
D638,627 S	5/2011	Romero et al.	
D640,089 S	6/2011	Green et al.	
D641,720 S	7/2011	Heng et al.	
D643,433 S *	8/2011	Hsieh et al.	D14/440
D658,186 S *	4/2012	Akana et al.	D14/440
D658,187 S *	4/2012	Diebel	D14/440
D658,188 S *	4/2012	Diebel	D14/440
D662,100 S *	6/2012	Van Den Nieuwenhuizen et al.	D14/440
D663,304 S *	7/2012	Akana et al.	D14/440
D663,604 S	7/2012	Rohde et al.	
2003/0104036 A1 *	6/2003	Gregoire	424/443
2005/0001021 A1	1/2005	Hutchinson	
2005/0021114 A1	1/2005	Hidaka	
2005/0087274 A1 *	4/2005	Ouyang	150/154
2005/0246851 A1	11/2005	Cline	
2006/0103272 A1 *	5/2006	Chen et al.	312/223.2

2007/0014079 A1 *	1/2007	Chen	361/679
2007/0279855 A1 *	12/2007	Linsmeier et al.	361/683
2008/0167095 A1	7/2008	Kim et al.	
2008/0174946 A1 *	7/2008	Chen et al.	361/683
2009/0000169 A1	1/2009	Houssain et al.	
2009/0017883 A1	1/2009	Lin	
2009/0107858 A1	4/2009	Huang	
2009/0159763 A1 *	6/2009	Kim	248/174
2009/0194209 A1	8/2009	De Filippis et al.	
2010/0122924 A1	5/2010	Andrews	
2011/0162987 A1 *	7/2011	Bekele	206/320
2012/0147541 A1 *	6/2012	Chen et al.	361/679.21

OTHER PUBLICATIONS

Case-Parts, "Original Targus Folding Genuine Leather Case for Apple iPad with Built-in Holder," <http://www.case-parts.com/details/Original-Targus-Folding-Genuine-Leather-Case-for-Apple-iPad-with-Built-in-Holder-IPAD-570/photos.htm>, 3 pages, Mar. 2011.

Incase, "Introducing the Convertible Magazine Jacket for iPad," <http://goincase.com/blog/2010/11/23/introducing-the-convertible-magazine-jacket-for-ipad/>, posted Nov. 23, 2010, 7 pages.

* cited by examiner

Primary Examiner — Susan Moon Lee

(74) Attorney, Agent, or Firm — Sterne, Kessler, Goldstein & Fox PLLC

(57)

CLAIM

The ornamental design for a cover, as shown and described.

DESCRIPTION

FIG. 1 is a front perspective view of a cover showing our new design;

FIG. 2 is a rear perspective view thereof;

FIG. 3 is a front view thereof;

FIG. 4 is a rear view thereof;

FIG. 5 is a bottom view thereof;

FIG. 6 is a top view thereof; and,

FIG. 7 is a side view thereof, the opposite side being a mirror image thereof.

The broken lines and portions contained within broken line are not claimed.

The shade lines in the Figures show contour and not surface ornamentation.

1 Claim, 6 Drawing Sheets

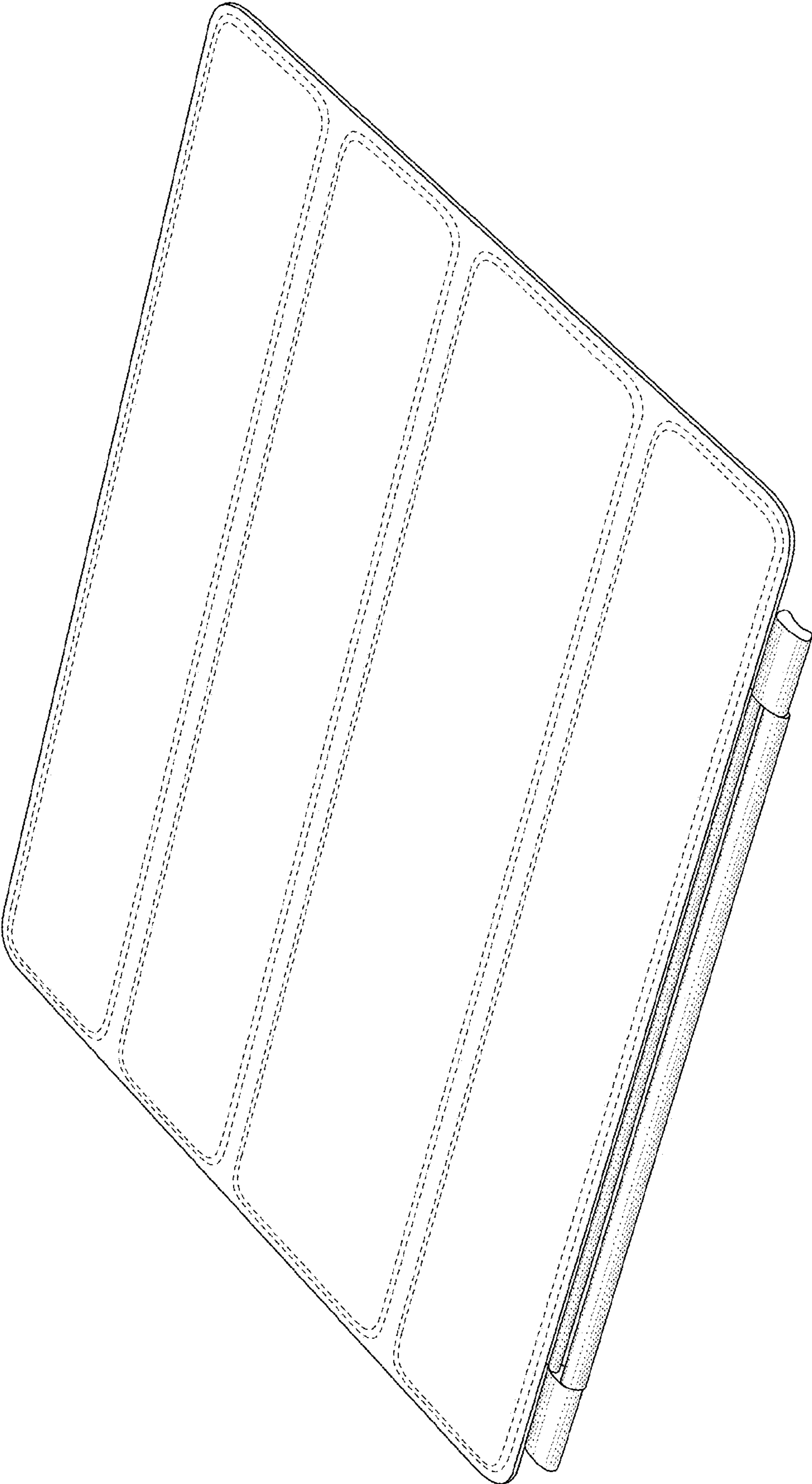


FIG. 1

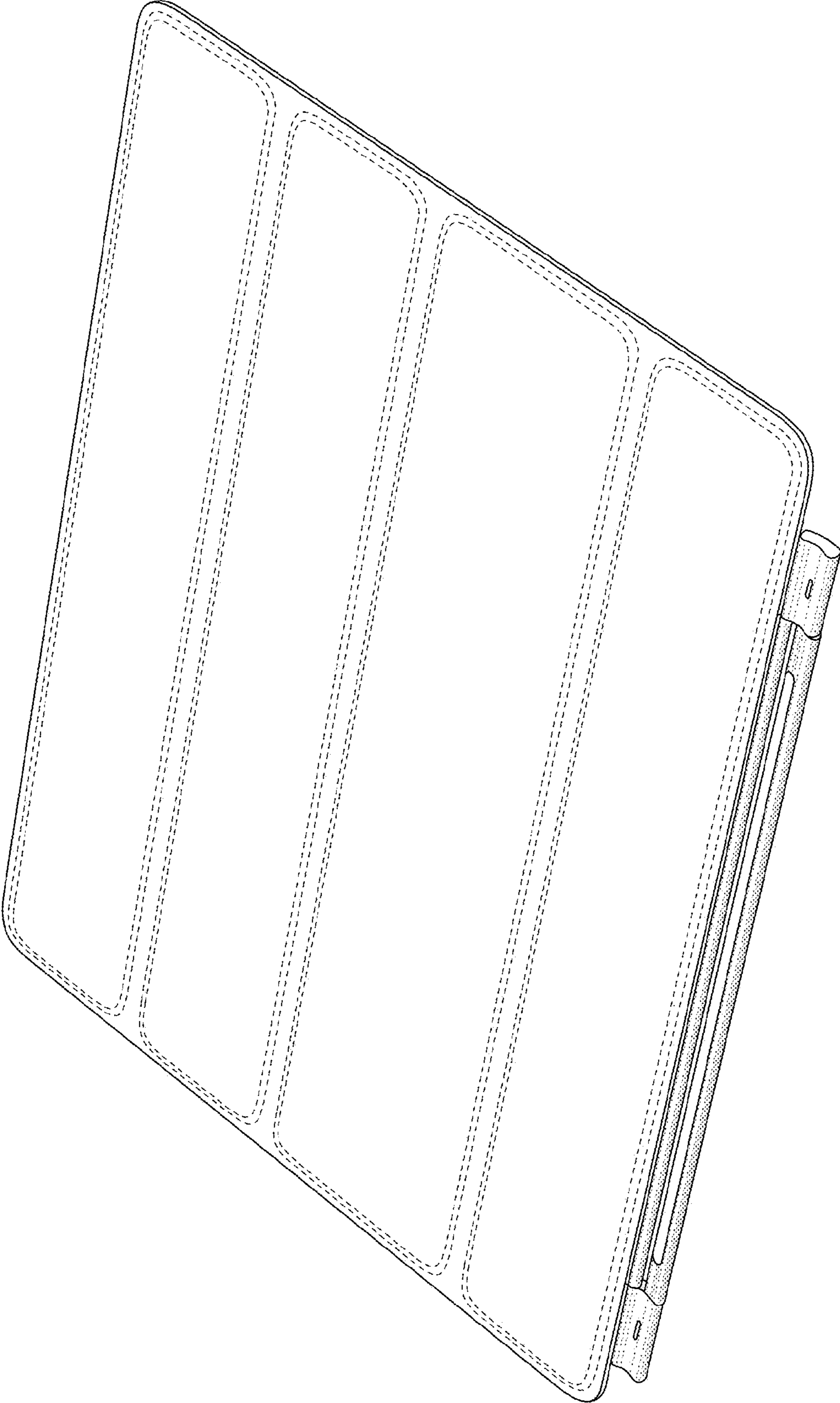


FIG. 2

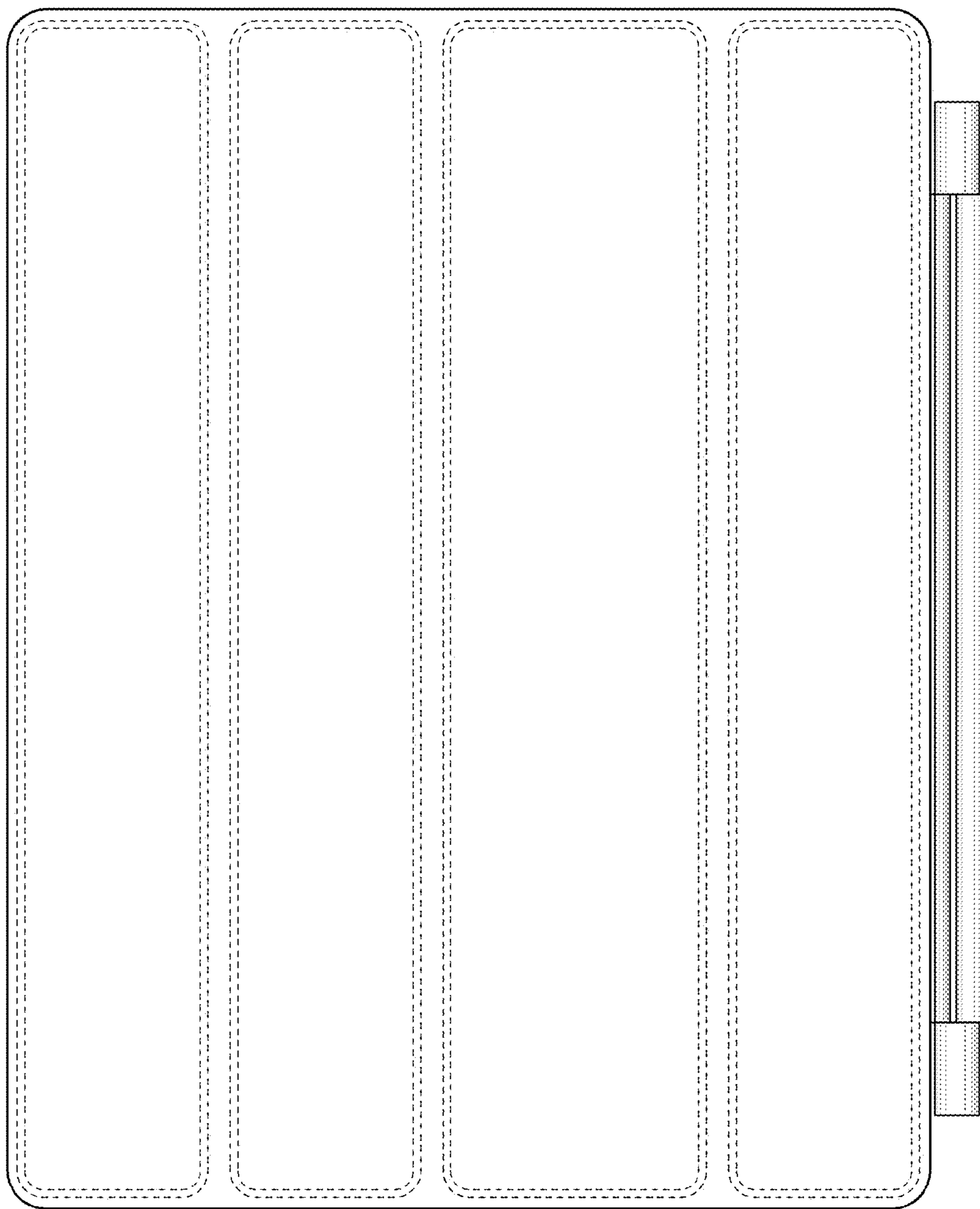


FIG. 3

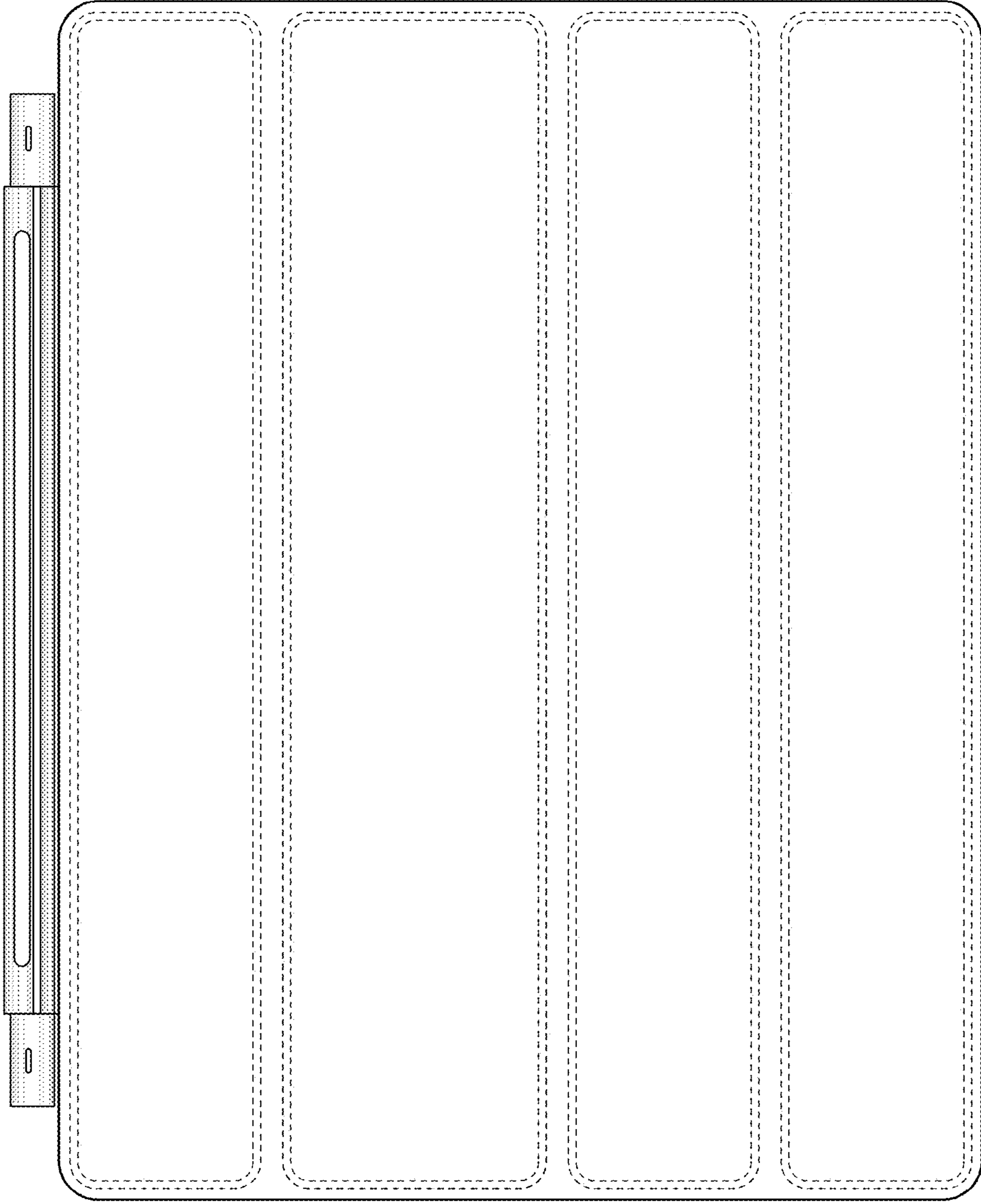


FIG. 4



FIG. 5



FIG. 6



FIG. 7