



US00D682837S

(12) **United States Design Patent**
Lee et al.

(10) **Patent No.:** **US D682,837 S**

(45) **Date of Patent:** **** *May 21, 2013**

(54) **CASE FOR A SLATE COMPUTER**

(75) Inventors: **Sang-Eun Lee**, Seoul (KR); **Ik-Sang Kim**, Seoul (KR)

(73) Assignee: **Samsung Electronics Co., Ltd.**, Suwon-si (KR)

(*) Notice: This patent is subject to a terminal disclaimer.

(**) Term: **14 Years**

(21) Appl. No.: **29/425,825**

(22) Filed: **Jun. 27, 2012**

(30) **Foreign Application Priority Data**

Jan. 9, 2012 (KR) 30-2012-0001217

(51) **LOC (9) Cl.** **14-02**

(52) **U.S. Cl.**
USPC **D14/440**

(58) **Field of Classification Search**
USPC D14/250, 251, 253, 240, 217, 496, D14/440, 203.3, 203.4, 203.5, 203.8, 432, D14/439, 300, 447; D3/218, 215, 201; 220/4.02; 248/309.1, 459; 361/679.56, 679.03; 379/426, 433.11, 455; 455/575.1, 575.8; 190/100; 206/305, 320
See application file for complete search history.

(56) **References Cited**

U.S. PATENT DOCUMENTS

2,354,782 A * 8/1944 Stradling et al. 281/16
4,259,568 A * 3/1981 Dynesen 235/1 D
4,703,160 A * 10/1987 Narishima et al. 235/1 D
4,718,550 A * 1/1988 Johnson 206/387.13
D306,583 S * 3/1990 Krolopp et al. D14/137
5,375,076 A * 12/1994 Goodrich et al. 361/679.17
D435,550 S * 12/2000 Chu et al. D14/345

D478,623 S * 8/2003 Wilburn D19/26
D546,878 S * 7/2007 Bharna D19/26
7,318,521 B2 * 1/2008 Lau 206/45.24
D579,975 S * 11/2008 Brown D19/26
7,542,052 B2 * 6/2009 Solomon et al. 345/659
D600,699 S * 9/2009 Johnston et al. D14/440
D639,806 S * 6/2011 Lee et al. D14/345
D641,348 S * 7/2011 Kim et al. D14/250

(Continued)

FOREIGN PATENT DOCUMENTS

KR 3020100027245 8/2011
KR 3020100055841 11/2011

(Continued)

OTHER PUBLICATIONS

U.S. Appl. No. 29/424,016, Applicant Kim, et al., filed Jun. 7, 2012 entitled Case for a Tablet Computer.

Primary Examiner — Cynthia Underwood

(74) *Attorney, Agent, or Firm* — Wood, Herron & Evans, LLP

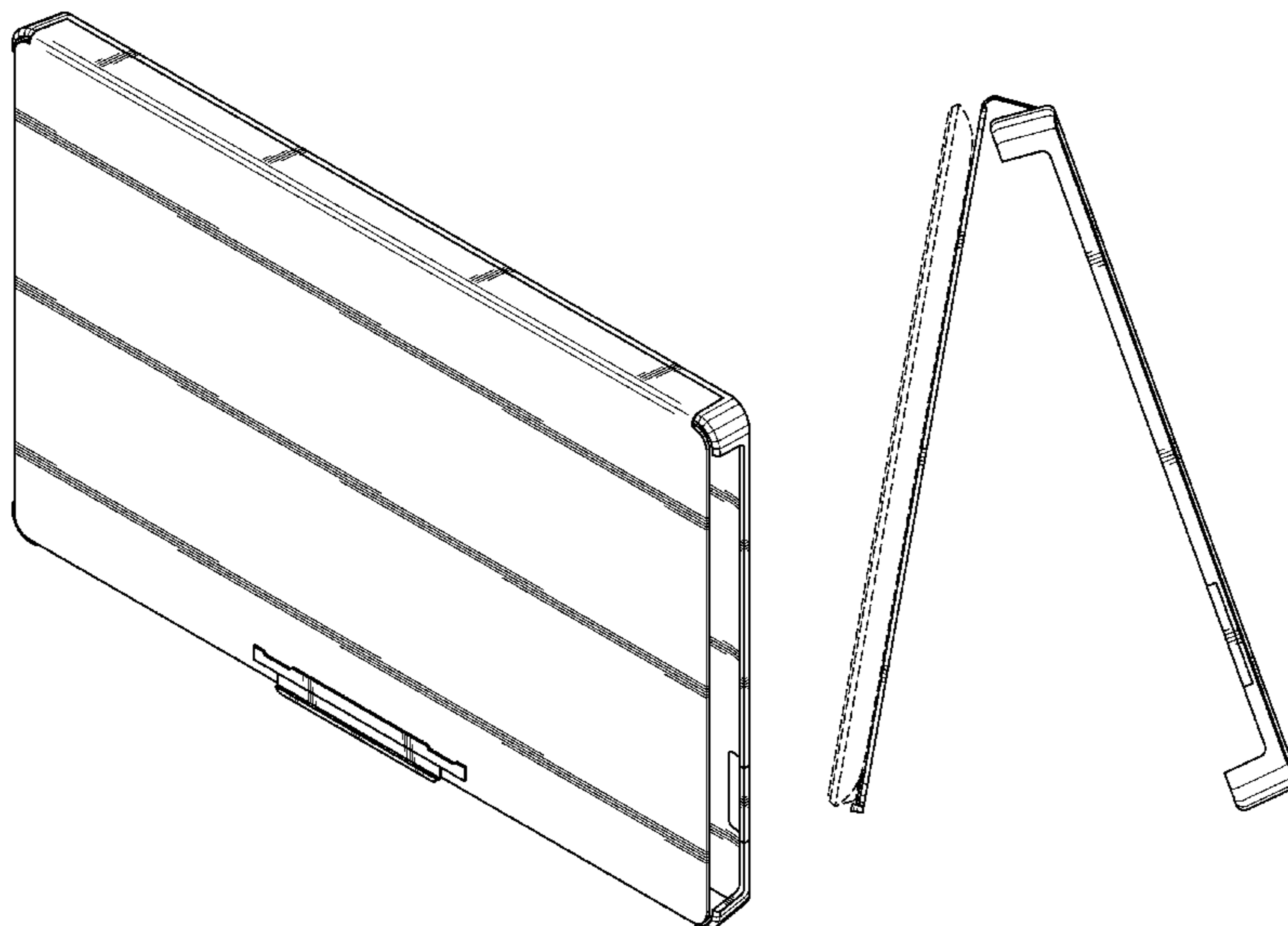
(57) **CLAIM**

The ornamental design for a case for a slate computer, as shown and described.

DESCRIPTION

FIG. 1 is a top front perspective view of a case for a slate computer showing our new design; FIG. 2 is a front elevational view thereof; FIG. 3 is a rear elevational view thereof; FIG. 4 is a left side elevational view thereof; FIG. 5 is a right side elevational view thereof; FIG. 6 is a top plan view thereof; FIG. 7 is a bottom plan view thereof; and, FIG. 8 is a right side view thereof shown unfolded. The broken lines are included for illustrative purposes and form no part of the claimed design.

1 Claim, 6 Drawing Sheets



US D682,837 S

Page 2

U.S. PATENT DOCUMENTS

D646,266 S * 10/2011 Kim et al. D14/250
D648,529 S * 11/2011 Brown D3/269
D652,831 S * 1/2012 Lee et al. D14/315
D657,354 S * 4/2012 Kim D14/250
D658,173 S * 4/2012 Kim D14/345
D659,139 S * 5/2012 Gengler D14/392
D662,100 S * 6/2012 Van Den Nieuwenhuizen
et al. D14/440
D664,538 S * 7/2012 Ryu et al. D14/327
8,230,992 B2 * 7/2012 Law et al. 206/320
D665,810 S * 8/2012 Jones et al. D14/440
8,235,208 B2 * 8/2012 Sirichai et al. 206/320
2001/0040561 A1 * 11/2001 Weinzierl et al. 345/169

2004/0202858 A1 * 10/2004 Lee 428/332
2009/0017883 A1 * 1/2009 Lin 455/575.8
2010/0294909 A1 * 11/2010 Hauser et al. 248/456
2010/0300909 A1 * 12/2010 Hung 206/320
2012/0043231 A1 * 2/2012 Perrier et al. 206/216
2012/0194448 A1 * 8/2012 Rothkopf 345/173

FOREIGN PATENT DOCUMENTS

KR 3020100048190 12/2011
KR 3020100048205 1/2012
KR 3020110019759 1/2012
KR 3020110036256 3/2012
KR 3020110053128 3/2012

* cited by examiner

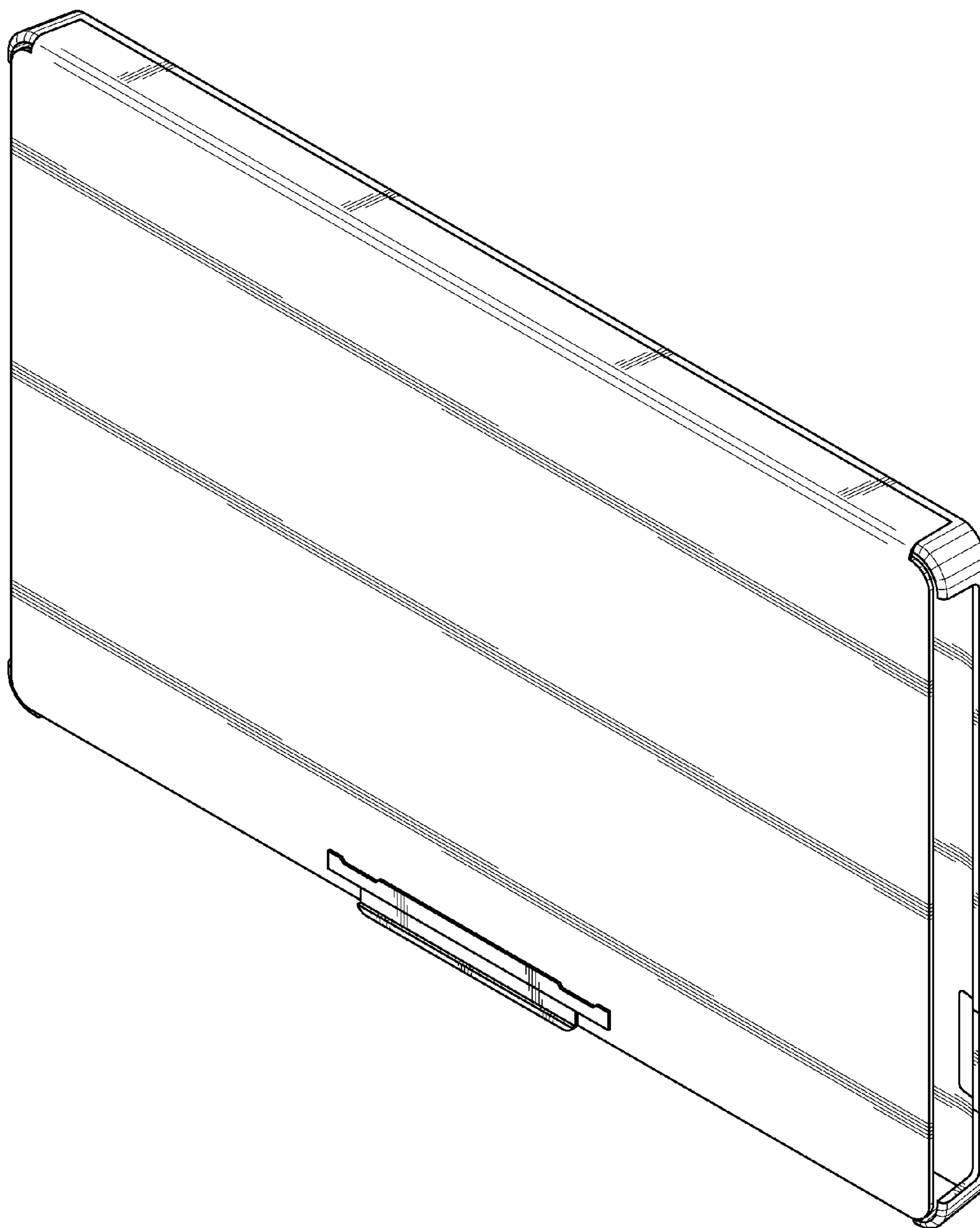


FIG.1

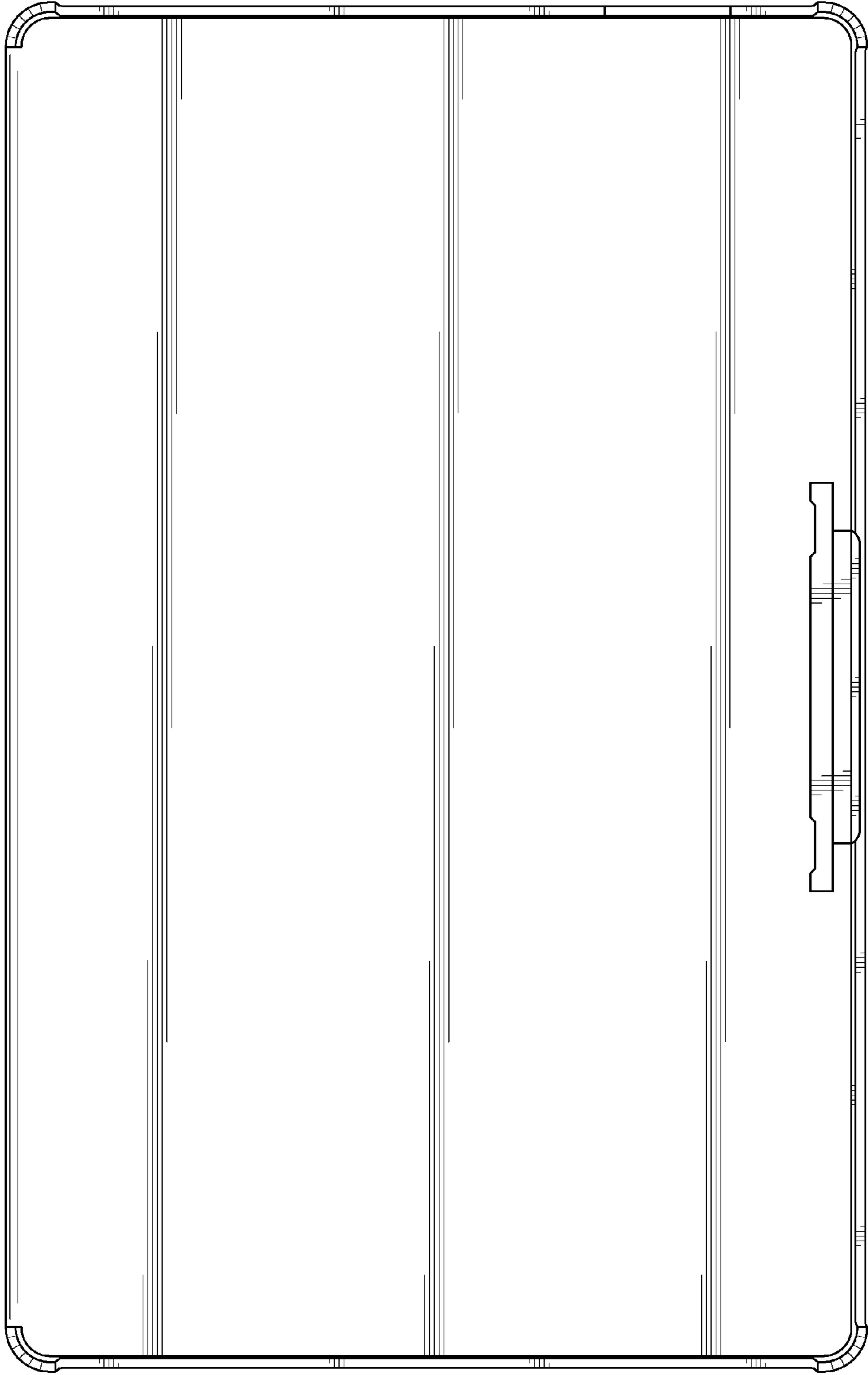


FIG.2

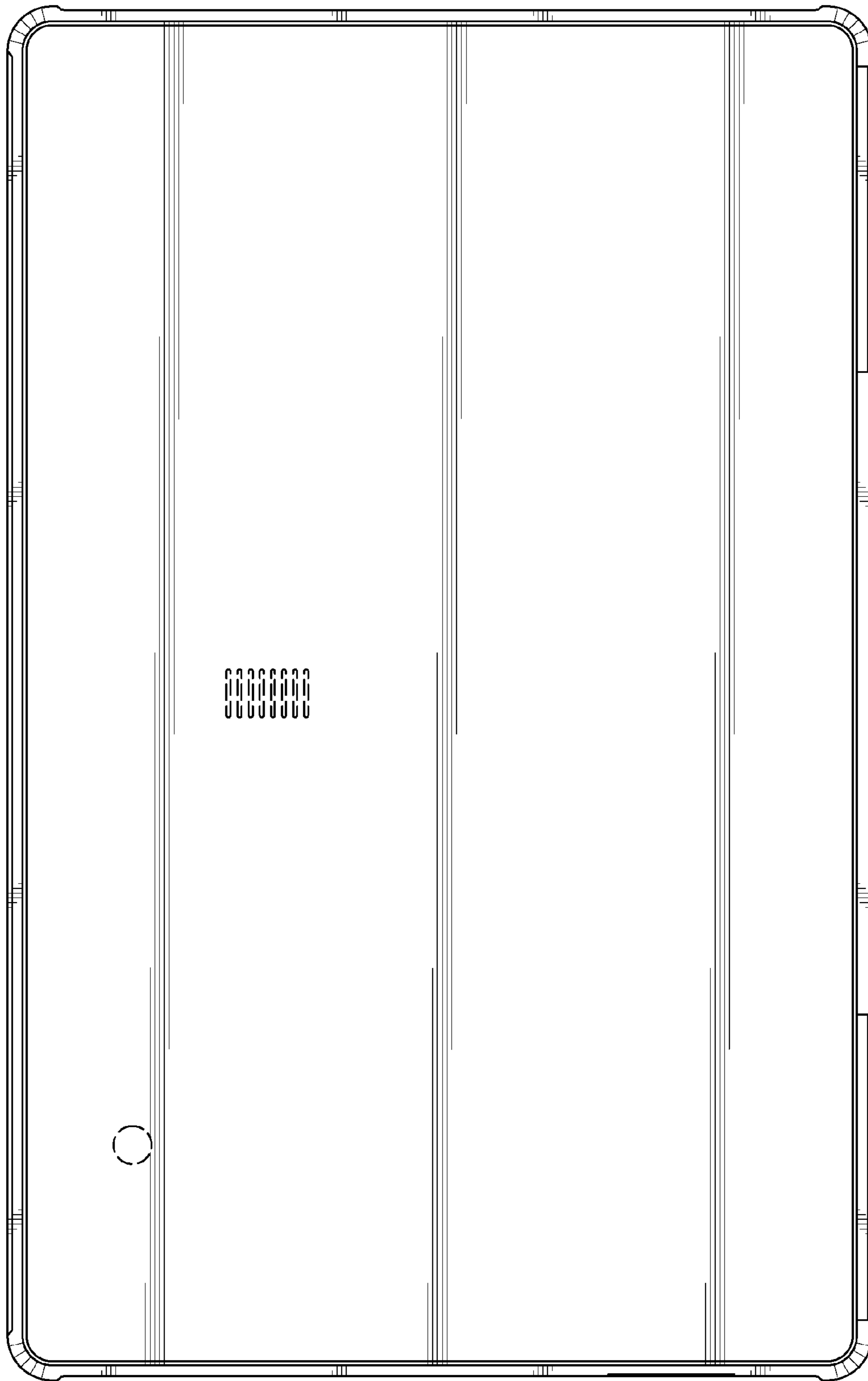


FIG.3

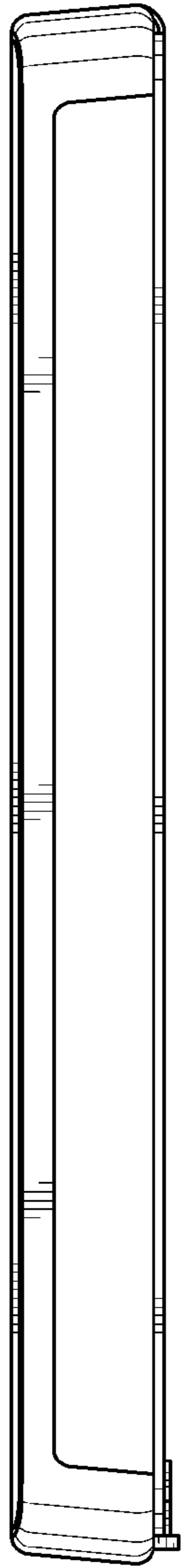


FIG. 4

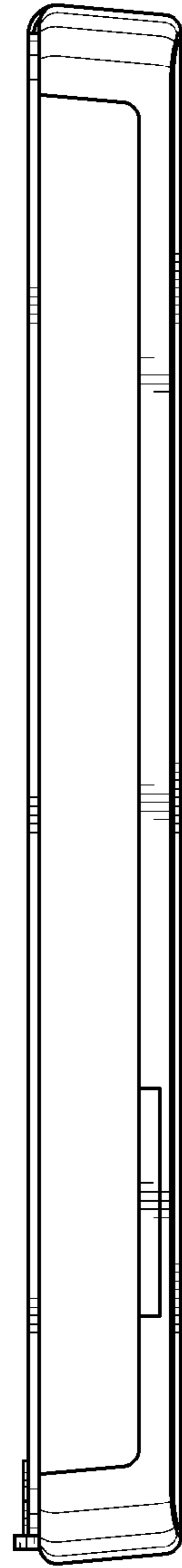


FIG. 5

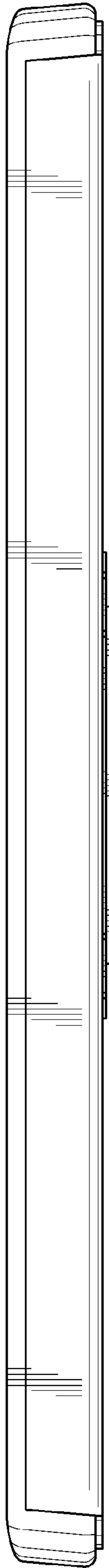


FIG. 6

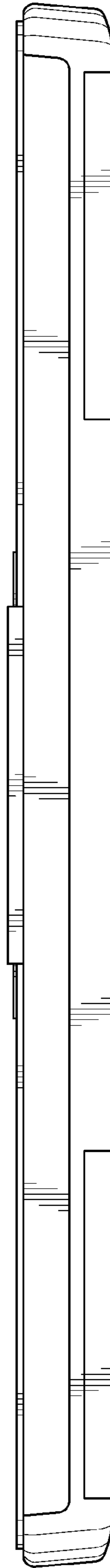


FIG. 7

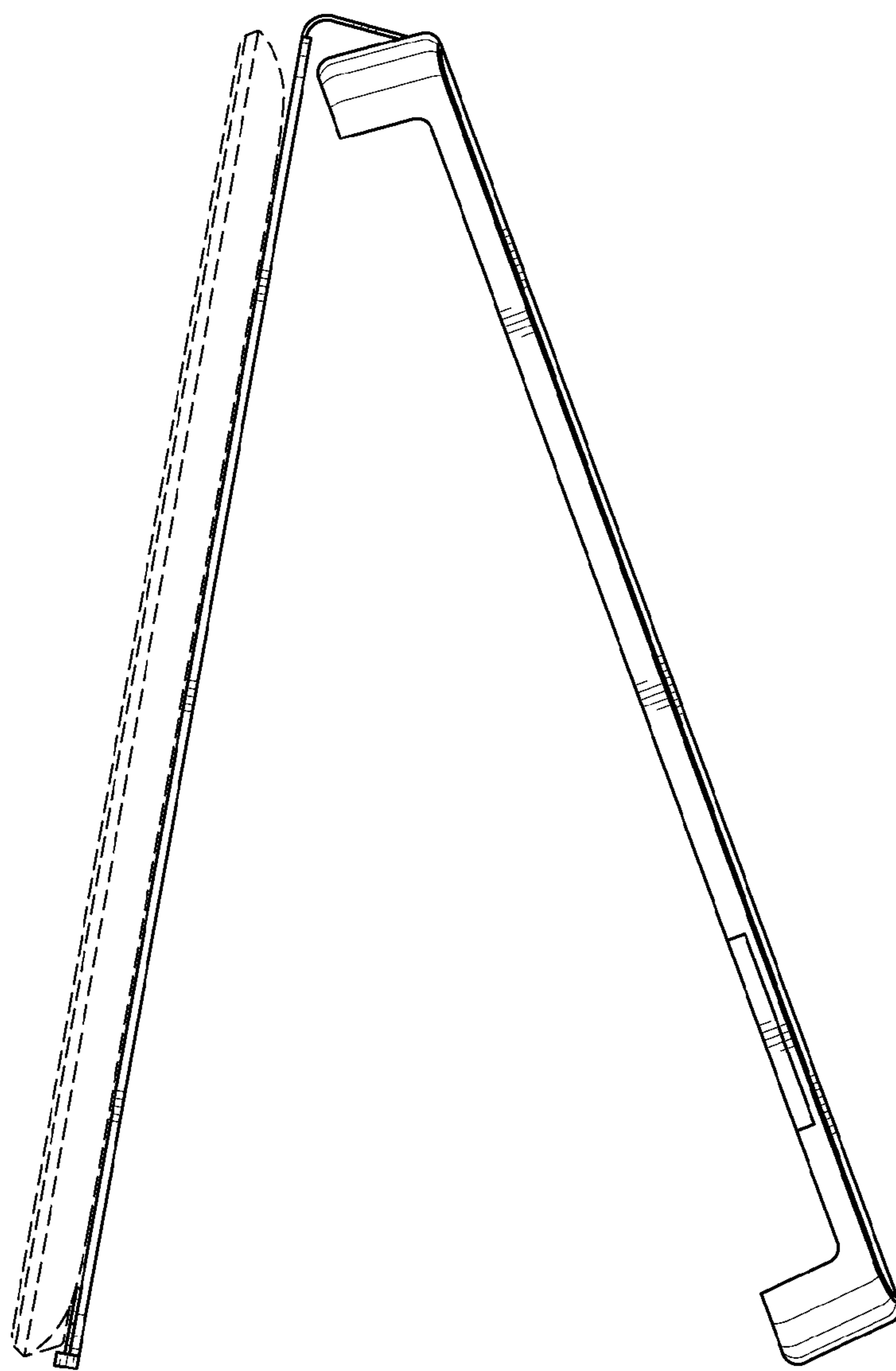


FIG.8