



US00D682836S

(12) **United States Design Patent**
Akana et al.

(10) **Patent No.:** **US D682,836 S**

(45) **Date of Patent:** **** May 21, 2013**

(54) **COVER**

(75) Inventors: **Jody Akana**, San Francisco, CA (US);
Bartley K. Andre, Menlo Park, CA (US);
Jeremy Bataillou, San Francisco, CA (US);
Daniel J. Coster, San Francisco, CA (US);
Daniele De Iuliis, San Francisco, CA (US);
Evans Hankey, San Francisco, CA (US);
Julian Hoenig, San Francisco, CA (US);
Richard P. Howarth, San Francisco, CA (US);
Jonathan P. Ive, San Francisco, CA (US);
Duncan Robert Kerr, San Francisco, CA (US);
Shin Nishibori, Kailua, HI (US);
Matthew Dean Rohrbach, San Francisco, CA (US);
Peter Russell-Clarke, San Francisco, CA (US);
Christopher J. Stringer, Woodside, CA (US);
Eugene Antony Whang, San Francisco, CA (US);
Rico Zorkendorfer, San Francisco, CA (US)

D3/276, 294, 301, 319, 203.1, 323, 227;
224/929; 708/110; 190/109, 100, 119, 901;
361/683, 725, 681, 686, 679; 229/87.5, 67.1,
229/800; 220/522, 4.23; 345/169, 104, 156,
345/168, 173, 179, 672, 174; 150/147, 135;
402/2, 70-79, 500-502; 281/45, 38, 31,
281/29, 19.1, 34; D19/3, 26, 27, 33, 75,
D19/86, 22, 90, 59, 60, 78, 83; D18/7, 17,
D18/18; 383/97, 4, 110; 178/18.03, 18.01;
349/12; 428/332; D6/632, 407, 596, 601,
D6/310, 611, 502, 583, 582, 595; 248/458;
D13/102, 184; D20/18, 27, 42; 40/654.01,
40/536; D15/122; D21/480, 690; D25/48;
D12/401, 182, 203, 400, 191; D24/205,
D24/206, 200, 188, 207, 212, 215; 280/808;
112/420; 5/420; 604/308; 601/15, 108,
601/112, 60, 64, 70, 71; 160/370.23, 370.21;
D7/629, 392.1; D28/7, 8, 83, 84, 82; 15/118;
D32/40; 424/443; 442/123; D23/304; D9/435
See application file for complete search history.

(73) Assignee: **Apple Inc.**, Cupertino, CA (US)

(**) Term: **14 Years**

(21) Appl. No.: **29/425,618**

(22) Filed: **Jun. 25, 2012**

Related U.S. Application Data

(63) Continuation of application No. 29/384,903, filed on Feb. 4, 2011, now Pat. No. Des. 663,304, which is a continuation-in-part of application No. 29/375,197, filed on Sep. 17, 2010, now Pat. No. Des. 658,186.

(51) **LOC (9) Cl.** **14-02**

(52) **U.S. Cl.**
USPC **D14/440**

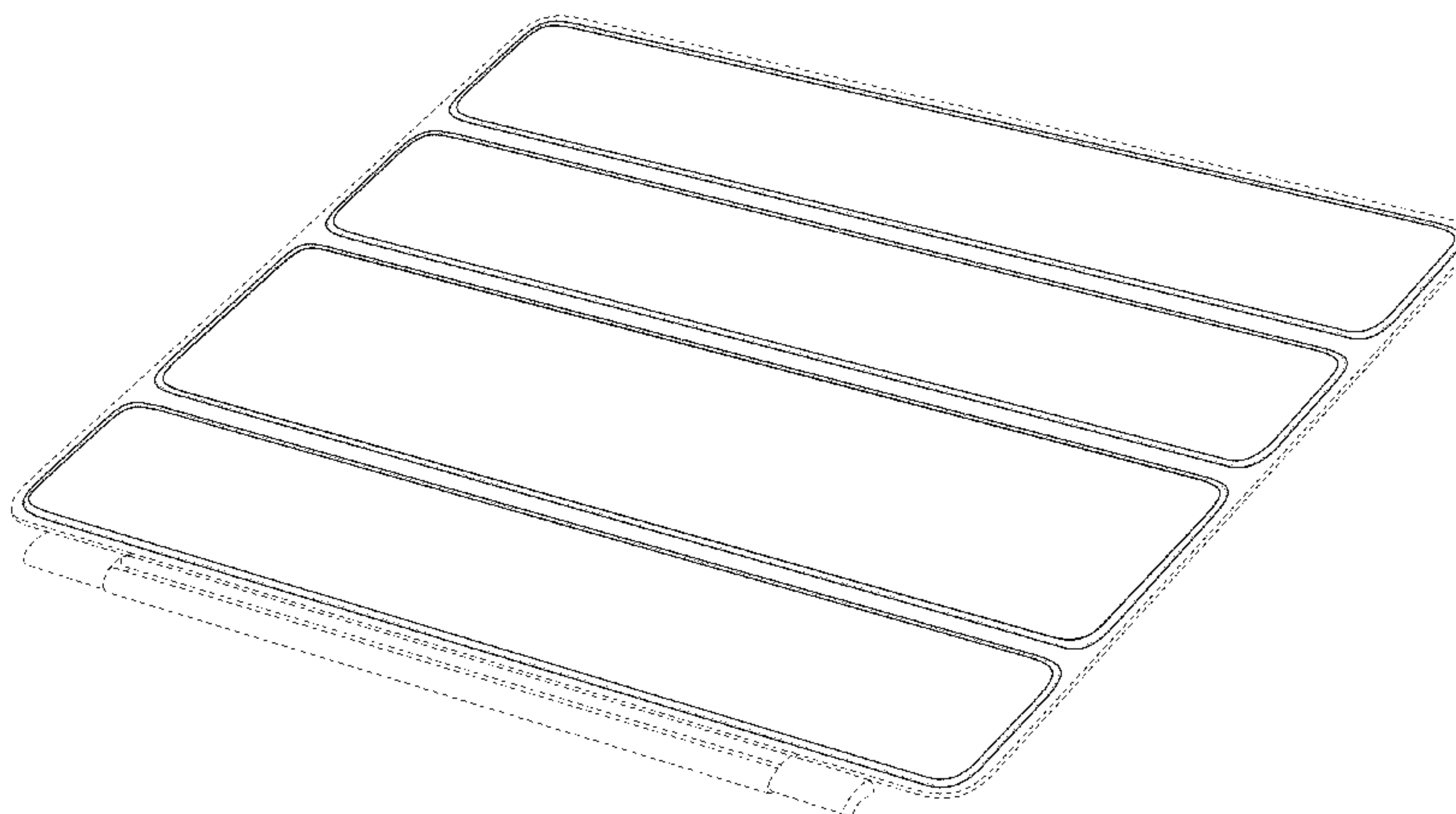
(58) **Field of Classification Search** D14/439,
D14/440, 345, 341-344, 346, 371, 125-129,
D14/327, 248; 206/320, 576, 305, 215, 232,
206/524, 425, 472, 224, 312, 387.13, 307,
206/387.1, 756; D3/286, 283, 295, 273,
D3/303, 247, 215, 245, 232, 900, 249, 201,

(56)

References Cited

U.S. PATENT DOCUMENTS

144,315 A	11/1873	Cooper
1,347,839 A	7/1920	Coons
1,356,593 A	10/1920	Bettiker
1,659,395 A	2/1928	Douglas
D104,699 S	5/1937	Pilliod
D123,984 S	12/1940	Pichel
2,279,164 A	4/1942	Gettleman
D137,864 S	5/1944	Jolles
2,354,782 A	8/1944	Stradling et al.
D164,628 S	9/1951	Davis
D167,065 S	6/1952	Bohanan
D167,743 S	9/1952	Dorfman
2,631,046 A	3/1953	Stephens
2,834,703 A	5/1958	Atkinson
2,983,431 A	5/1961	Turan
3,015,834 A	1/1962	Marrinson et al.
3,257,128 A	6/1966	Schneider
3,336,610 A	8/1967	Geddings
3,460,744 A	8/1969	Turkenkopf
3,587,578 A	6/1971	Walker
D222,602 S	11/1971	Petrie
3,735,516 A	5/1973	Wenstrom
3,758,065 A	9/1973	Ranseen
3,797,146 A	3/1974	Holes



US D682,836 S

D232,825 S	9/1974	Gerber	D418,867 S	1/2000	Platte, III
3,970,332 A	7/1976	Alford, Jr.	6,122,785 A	9/2000	Bondie et al.
D245,458 S	8/1977	Hauss et al.	D432,477 S	10/2000	Gorodetsky
4,044,942 A	8/1977	Sherwood	D435,171 S	12/2000	Anderson
D251,082 S	2/1979	Petrie	D436,179 S	1/2001	Small
D255,523 S	6/1980	Yarabinec	D442,321 S	5/2001	Cheng
D255,524 S	6/1980	Yarabinec	D445,744 S	7/2001	Hsing
D258,723 S	3/1981	Cornou	D446,982 S	8/2001	Block
4,310,117 A	1/1982	Gullett	6,289,968 B1	9/2001	Karten et al.
D274,493 S	7/1984	Dyby	D449,927 S	11/2001	Dorizas
D275,153 S	8/1984	Weinreb	6,427,371 B2	8/2002	Olson et al.
4,520,958 A	6/1985	Jones et al.	6,493,969 B2	12/2002	Devos
4,566,720 A	1/1986	Goldman et al.	D468,868 S	1/2003	Thorpe et al.
D283,231 S	4/1986	Bradenburger	6,527,330 B1	3/2003	Steffens et al.
4,592,358 A	6/1986	Westplate	D473,939 S	4/2003	Hantke et al.
4,621,729 A	11/1986	Jackson	D473,940 S	4/2003	Hantke et al.
4,629,070 A	12/1986	Roberg	6,539,653 B1	4/2003	Finke
4,643,544 A	2/1987	Loughran	6,568,005 B2	5/2003	Fleming et al.
4,671,334 A	6/1987	Yadegar et al.	D480,971 S	10/2003	DeLuca et al.
4,693,495 A	9/1987	LaPointe	6,634,691 B2	10/2003	Henderson
4,703,160 A	10/1987	Narishima et al.	6,646,672 B2	11/2003	Feierbach
D293,428 S	12/1987	Watts	D484,736 S	1/2004	Sarnoff
4,718,550 A	1/1988	Johnson	D487,521 S	3/2004	Link
D296,006 S	5/1988	Asche	D487,551 S	3/2004	Lee
D297,228 S	8/1988	Harpaz et al.	6,702,359 B2	3/2004	Armstrong et al.
4,787,766 A	11/1988	Lorsch	D493,288 S	7/2004	Van Diepen
4,877,074 A	10/1989	Castellano	6,763,942 B1	7/2004	Yeh
D306,850 S	3/1990	Beedy	D494,469 S	8/2004	Solowiejko
D308,760 S	6/1990	King	6,772,879 B1	8/2004	Domotor
D310,987 S	10/1990	Law et al.	D496,322 S	9/2004	Farney et al.
D311,688 S	10/1990	Hodge	D498,308 S	11/2004	Mock
D312,130 S	11/1990	Jones	D505,041 S	5/2005	Lesosky
D312,214 S	11/1990	Hodge	6,887,486 B2	5/2005	Gregoire
D312,835 S	12/1990	Holm	D511,838 S	11/2005	Vedra
D313,964 S	1/1991	Fuller	D521,553 S	5/2006	Sterman
5,000,319 A	3/1991	Mermelstein	7,037,021 B2	5/2006	Raschke
D317,329 S	6/1991	Annand	D527,535 S	9/2006	Sturba et al.
D318,372 S	7/1991	Mackey	D533,347 S	12/2006	Andre et al.
D319,016 S	8/1991	Kahl	D538,096 S	3/2007	Bartell et al.
D320,274 S	9/1991	Douglas	D538,575 S	3/2007	Bartell et al.
D321,091 S	10/1991	Dickinson	D544,922 S	6/2007	Shaffer
D321,761 S	11/1991	Shimizu	D548,782 S	8/2007	Nash
5,066,158 A	11/1991	Huang	D550,137 S	9/2007	Kraines et al.
5,092,354 A	3/1992	Pacelli, Jr.	D551,265 S	9/2007	Brinson
D325,637 S	4/1992	O'Brien et al.	D553,410 S	10/2007	Kramer
D327,046 S	6/1992	Eskandry et al.	D557,347 S	12/2007	Nishimoto
D329,747 S	9/1992	Embree	D560,383 S	1/2008	Woods
D331,191 S	11/1992	Ventola et al.	7,318,521 B2	1/2008	Lau
D332,697 S	1/1993	Schildkraut	7,322,063 B2 *	1/2008	Esimai 5/652.1
5,179,944 A	1/1993	McSymytz	D564,223 S	3/2008	Messineo
D341,373 S	11/1993	Stern	D565,196 S	3/2008	Mock et al.
D345,014 S	3/1994	Huffman	D566,111 S	4/2008	Nakagawa
D352,357 S	11/1994	Ashley	D572,709 S	7/2008	Nakagawa et al.
D356,120 S	3/1995	Allen	7,398,868 B2	7/2008	Morszeck
5,431,449 A	7/1995	Arimoto et al.	D574,962 S	8/2008	Atkins et al.
D360,778 S	8/1995	Apt, III et al.	7,435,103 B2	10/2008	Ma
5,439,101 A	8/1995	Brink et al.	D581,857 S	12/2008	Bogard
5,450,858 A	9/1995	Zablotsky et al.	D581,859 S	12/2008	Bogard
D364,191 S	11/1995	Allen	D581,865 S	12/2008	Koza
5,480,192 A	1/1996	Angerbauer et al.	D582,047 S	12/2008	Yim
5,487,566 A	1/1996	Hedge, Jr.	D582,475 S	12/2008	Guest
D369,998 S	5/1996	Eskandry	D583,479 S	12/2008	Yim
D370,177 S	5/1996	Bankier	D583,959 S	12/2008	Yim
D370,650 S	6/1996	Eskandry	D584,141 S	1/2009	Smith et al.
5,566,871 A	10/1996	Weintraub	D584,612 S	1/2009	Ianello
D383,213 S	9/1997	Ingram	D587,797 S	3/2009	Blanchard
D389,353 S	1/1998	Patel	D587,812 S	3/2009	Uchiyama et al.
D389,509 S	1/1998	Yasoshima	D592,402 S	5/2009	Ahlgrim et al.
D389,646 S	1/1998	Sankey et al.	7,542,052 B2	6/2009	Solomon et al.
D390,007 S	2/1998	Ahern, Jr.	D596,305 S	7/2009	Usui et al.
D391,298 S	2/1998	Johnson et al.	D597,302 S	8/2009	Adams et al.
D393,875 S	4/1998	Brooks	D599,286 S	9/2009	Horito et al.
D401,092 S	11/1998	Patel	D599,484 S	9/2009	Gray et al.
D405,200 S	2/1999	Hines	D599,761 S	9/2009	Birsel et al.
D406,463 S	3/1999	Rutledge	D599,959 S	9/2009	Washington
5,887,723 A	3/1999	Myles et al.	D600,699 S	9/2009	Johnston et al.
5,902,256 A	5/1999	Benaron	7,584,841 B2	9/2009	Chan et al.
D411,353 S	6/1999	Dickinson et al.	D601,369 S	10/2009	Mock et al.
5,996,778 A	12/1999	Shih	D602,598 S	10/2009	Yim

D603,906 S 11/2009 Miller et al.
D604,727 S 11/2009 Chu et al.
D605,940 S 12/2009 Lin
D606,119 S 12/2009 Miller et al.
D606,120 S 12/2009 Miller et al.
D606,121 S 12/2009 Miller et al.
D607,253 S 1/2010 McCammon
D607,255 S 1/2010 Sunseri
7,643,274 B2 1/2010 Bekele
D609,360 S 2/2010 Yim
D609,912 S 2/2010 Kyono et al.
D613,062 S 4/2010 Romero et al.
D613,982 S 4/2010 Wilson et al.
D616,930 S 6/2010 Engel et al.
7,735,644 B2 6/2010 Sirichai et al.
D620,122 S 7/2010 Cotton
D620,877 S 8/2010 Rusher et al.
D622,061 S 8/2010 Higginson
D623,940 S 9/2010 Ianello
D624,615 S 9/2010 Kusmierz
D627,078 S 11/2010 Matsuo et al.
D627,117 S 11/2010 Hale
D627,775 S 11/2010 Li
D628,004 S 11/2010 Moorefield
D628,132 S 11/2010 Grzyb et al.
D628,197 S 11/2010 Li
D628,705 S 12/2010 Usui et al.
D628,706 S 12/2010 Usui et al.
D629,195 S 12/2010 Jusic
D629,914 S 12/2010 Hunter
D631,912 S 2/2011 Epstein
D632,660 S 2/2011 Donowho et al.
D633,388 S 3/2011 Andre et al.
D633,673 S 3/2011 McKnight
D633,879 S 3/2011 Heng et al.
D635,135 S 3/2011 Li
D635,564 S * 4/2011 Li D14/315
D637,399 S 5/2011 Romero et al.
D638,526 S 5/2011 Newman
D638,627 S 5/2011 Romero et al.
D640,089 S 6/2011 Green et al.
D641,720 S 7/2011 Heng et al.
D658,186 S * 4/2012 Akana et al. D14/440
D658,187 S 4/2012 Diebel
D658,188 S 4/2012 Diebel
D659,139 S 5/2012 Gengler
D662,100 S 6/2012 Van Den Nieuwenhuizen et al.
D662,503 S 6/2012 Akana et al.
D663,304 S 7/2012 Akana et al.
D665,809 S 8/2012 Wang et al.
D671,948 S * 12/2012 Akana et al. D14/440
D672,781 S * 12/2012 Lu D14/440
2005/0001021 A1 1/2005 Hutchinson
2005/0021114 A1 1/2005 Hidaka
2005/0125889 A1* 6/2005 Lin 4/541.5
2005/0246851 A1 11/2005 Cline

2008/0167095 A1 7/2008 Kim et al.
2009/0000169 A1 1/2009 Houssain et al.
2009/0017883 A1 1/2009 Lin
2009/0107858 A1 4/2009 Huang
2009/0159763 A1 6/2009 Kim
2009/0194209 A1 8/2009 De Filippis et al.
2010/0122924 A1 5/2010 Andrews
2012/0194448 A1* 8/2012 Rothkopf 345/173
2012/0211613 A1* 8/2012 Yang et al. 248/174

FOREIGN PATENT DOCUMENTS

GB 2033244 8/1993

OTHER PUBLICATIONS

Case-Parts, "Original Targus Folding Genuine Leather Case for Apple iPad with Built-in Holder," <http://www.case-parts.com/details/Original-Targus-Folding-Geniune-Leather-Case-for-Apple-iPad-with-Built-in-Holder-IPAD-570/photos.htm>, 3 pages.
Incase, "Introducing the Convertible Magazine Jacket for iPad," <http://goincase.com/blog/2010/11/23/introducing-the-convertible-magazine-jacket-for-ipad/>, posted Nov. 23, 2010, 7 pages.

* cited by examiner

Primary Examiner — Susan Moon Lee
(74) *Attorney, Agent, or Firm* — Sterne, Kessler, Goldstein & Fox PLLC

(57) CLAIM

The ornamental design for a cover, as shown and described.

DESCRIPTION

FIG. 1 is a front perspective view of a cover showing our new design;
FIG. 2 is a rear perspective view thereof;
FIG. 3 is a front view thereof;
FIG. 4 is a rear view thereof;
FIG. 5 is a bottom view thereof;
FIG. 6 is a top view thereof; and,
FIG. 7 is a side view thereof, the opposite side being a mirror image thereof.
Broken lines and portions contained within broken lines are not claimed.
Solid lines and the portions contained within solid lines comprise the claim.

1 Claim, 6 Drawing Sheets

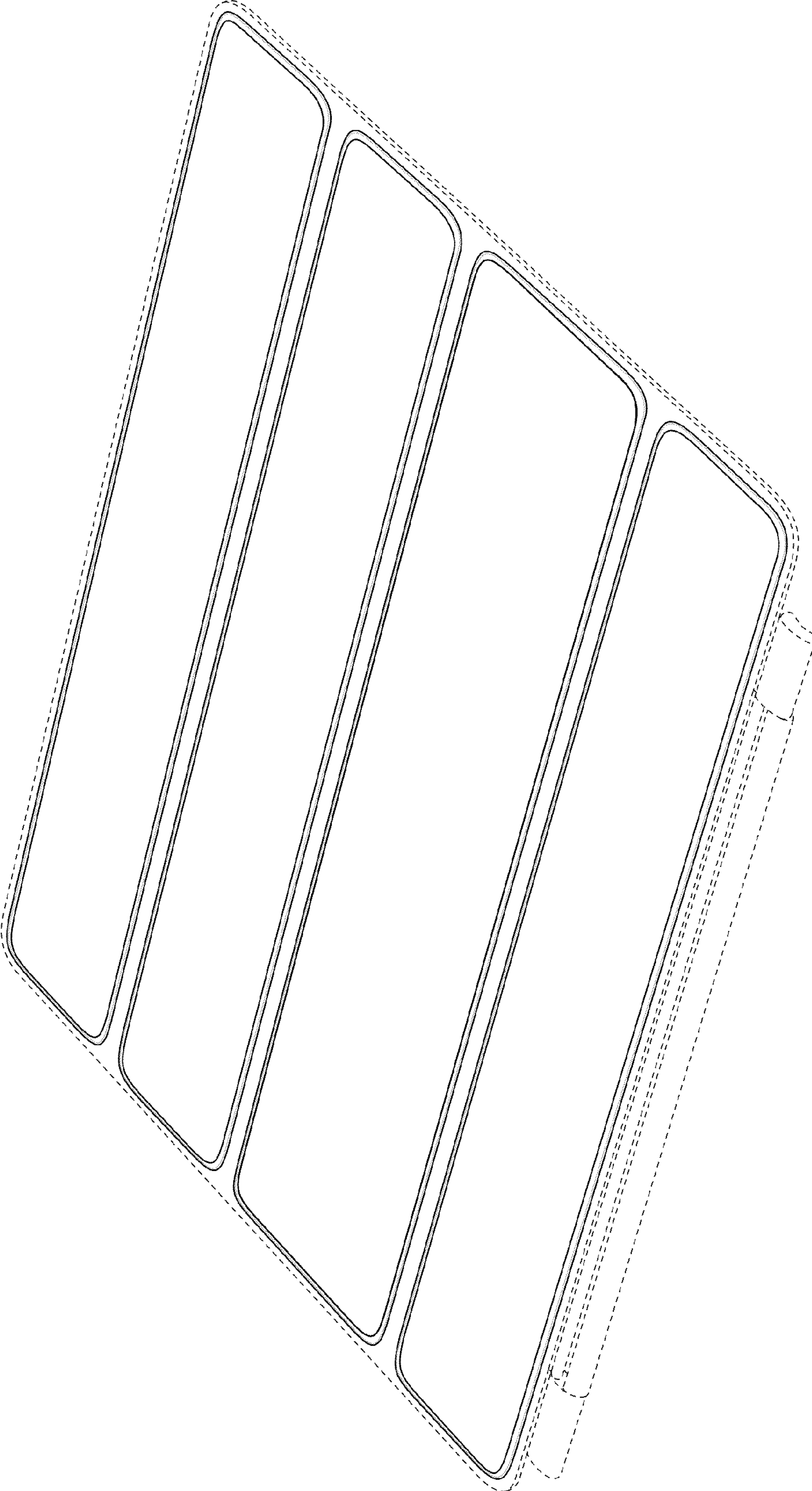


Fig. 1

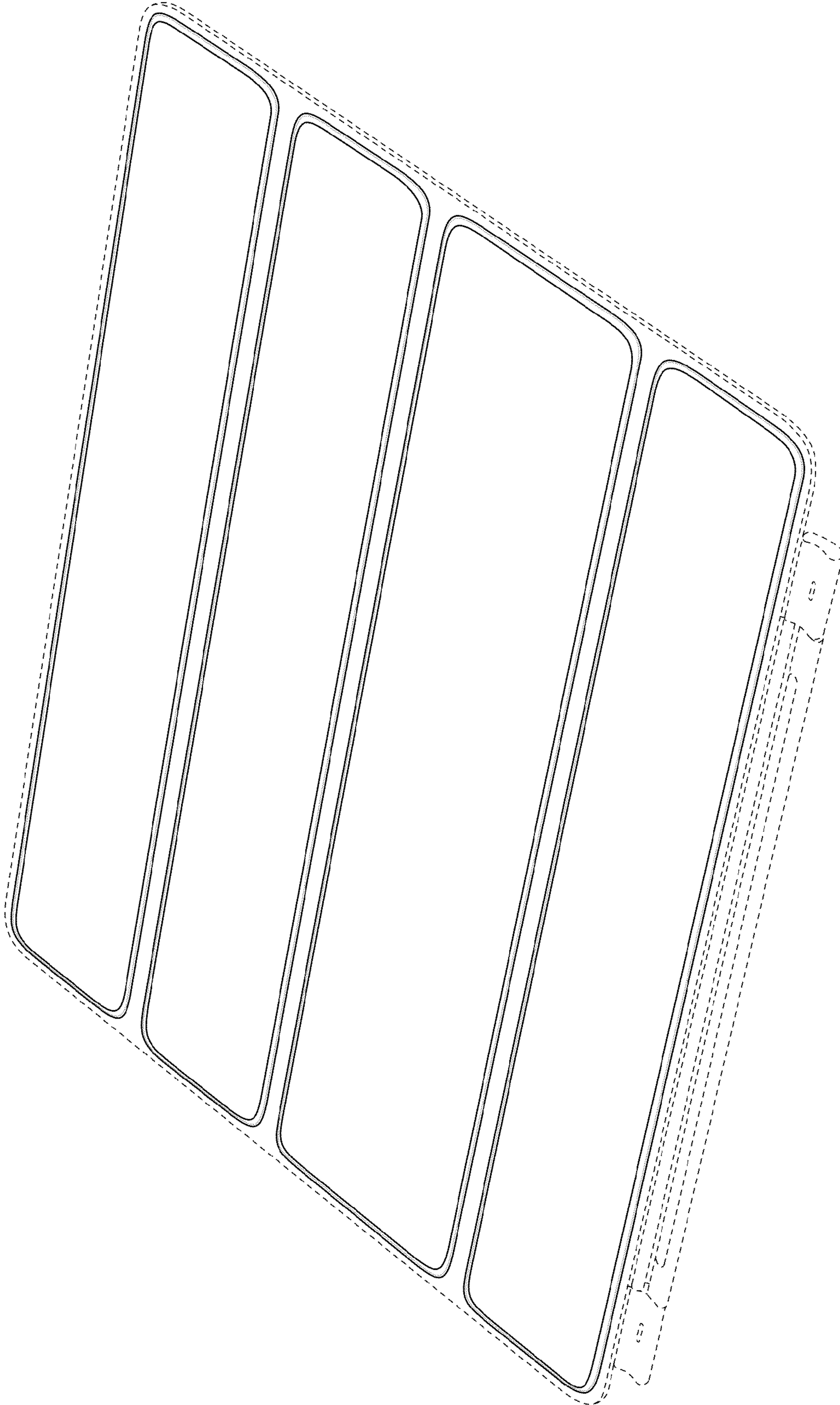


Fig. 2

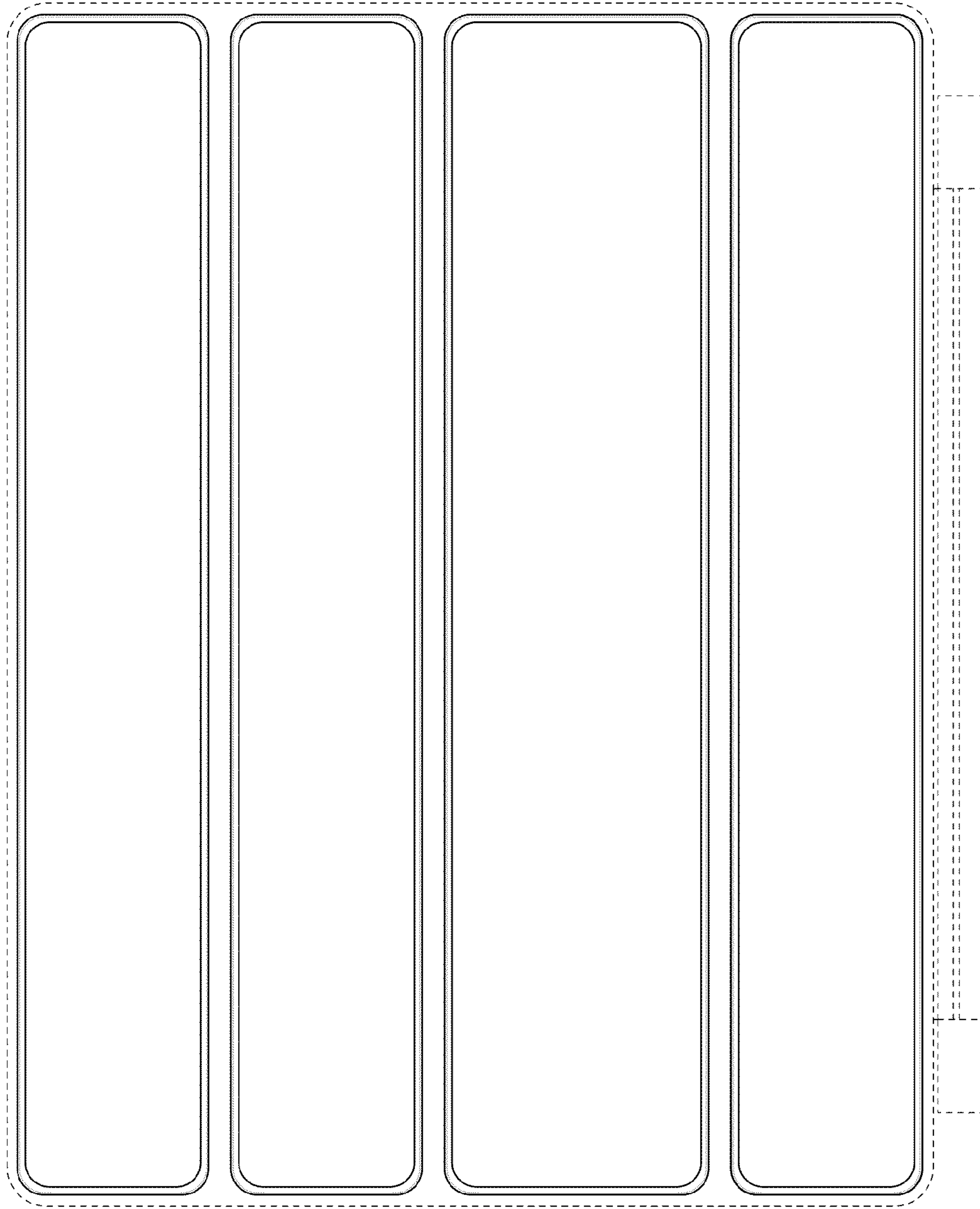


Fig. 3

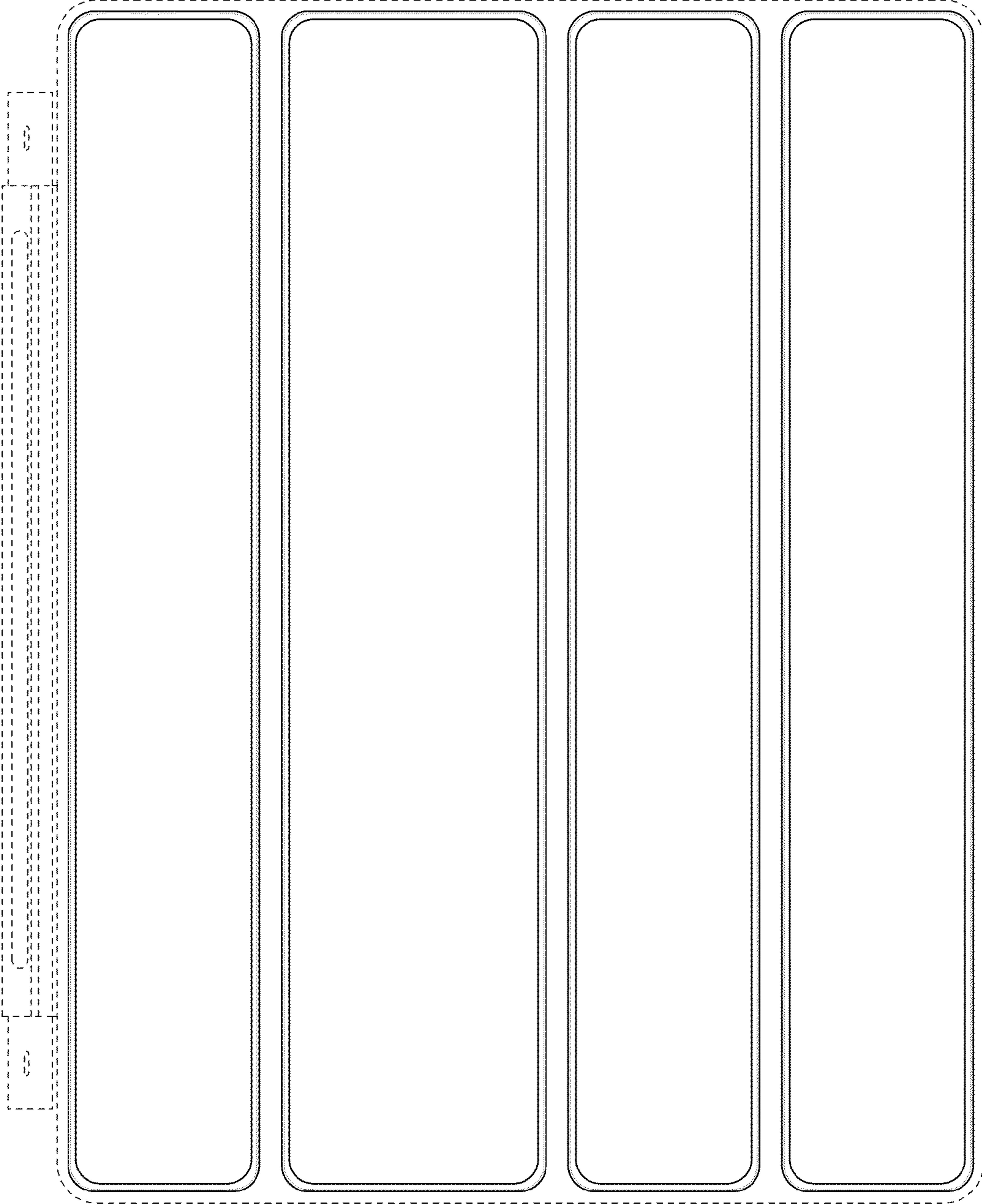


Fig. 4

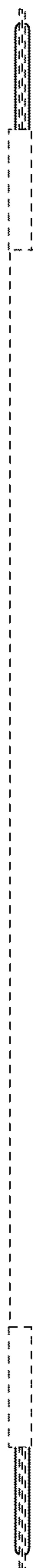


Fig. 5



Fig. 6



Fig. 7