



US00D682834S

(12) **United States Design Patent**
Ishikawa et al.

(10) **Patent No.:** **US D682,834 S**
(45) **Date of Patent:** **** May 21, 2013**

(54) **SCANNER**

(75) Inventors: **Tetsurou Ishikawa**, Tokyo (JP); **Tatsuya Nishi**, Narashino (JP); **Teruhiko Kitamura**, Tokyo (JP)

(73) Assignee: **Canon Denshi Kabushiki Kaisha**, Chichibu-shi, Saitama-ken (JP)

(**) Term: **14 Years**

(21) Appl. No.: **29/416,372**

(22) Filed: **Mar. 21, 2012**

(30) **Foreign Application Priority Data**

Sep. 21, 2011 (JP) 2011-021551

(51) **LOC (9) Cl.** **14-02**

(52) **U.S. Cl.**
USPC **D14/422**

(58) **Field of Classification Search** D14/420, D14/422, 425, 462-470, 424, 389, 125, 399; D18/54, 55, 50, 53, 36-39, 14, 18-21, 49, D18/46, 52, 56, 51, 54.4; D13/164, 168; 358/400, 401, 448, 474, 486-488, 496, 497, 358/494, 473, 302, 468, 498; 382/312, 317, 382/321, 315; 400/613, 613.1-613.4, 690.1-690.4, 400/691-694, 88, 175; 399/107, 379, 380, 399/211, 212; 235/462.11, 462.41, 472.01, 235/470, 462.43; 361/680, 681; 378/177, 378/187, 188; 101/93.4, 269; 355/78; D24/165, D24/169, 186; 600/502, 503, 499, 494, 490, 600/485, 500, 492, 480, 493, 495, 479; 128/900; 16/286; 347/104, 109, 5; 271/186, 225, 271/126, 121, 137, 138

See application file for complete search history.

(56) **References Cited**

U.S. PATENT DOCUMENTS

D231,539	S	*	4/1974	MacConkey et al.	D14/462
D286,640	S	*	11/1986	Miyazaki	D18/54
D293,578	S	*	1/1988	Matsumoto et al.	D18/55
D295,416	S	*	4/1988	Glaberson	D14/422
D302,812	S	*	8/1989	Hiroki	D14/422
4,904,100	A	*	2/1990	Enix	400/613
D317,014	S	*	5/1991	Oyamada et al.	D18/54
D321,898	S	*	11/1991	Kasee et al.	D18/55
D322,982	S	*	1/1992	Tashiro	D18/54
5,106,220	A	*	4/1992	Ricca et al.	400/693
D329,862	S	*	9/1992	Watanabe et al.	D16/208
5,236,265	A	*	8/1993	Saito et al.	400/88
D339,372	S	*	9/1993	Kando	D18/50
D339,576	S	*	9/1993	Sawada et al.	D14/462
D340,065	S	*	10/1993	Fukuda	D18/50
D340,232	S	*	10/1993	Yoshida	D14/422
D343,637	S	*	1/1994	Umino et al.	D18/55
D345,353	S	*	3/1994	Dietrich	D14/462
D352,731	S	*	11/1994	Sugimoto	D18/50
5,423,529	A	*	6/1995	Saito et al.	271/127
D361,084	S	*	8/1995	Yamanaka et al.	D18/50
D361,554	S	*	8/1995	Mochizuki et al.	D14/422
D362,267	S	*	9/1995	Yamanaka et al.	D18/50

(Continued)

Primary Examiner — Susan Moon Lee

(74) *Attorney, Agent, or Firm* — Fitzpatrick, Cella, Harper & Scinto

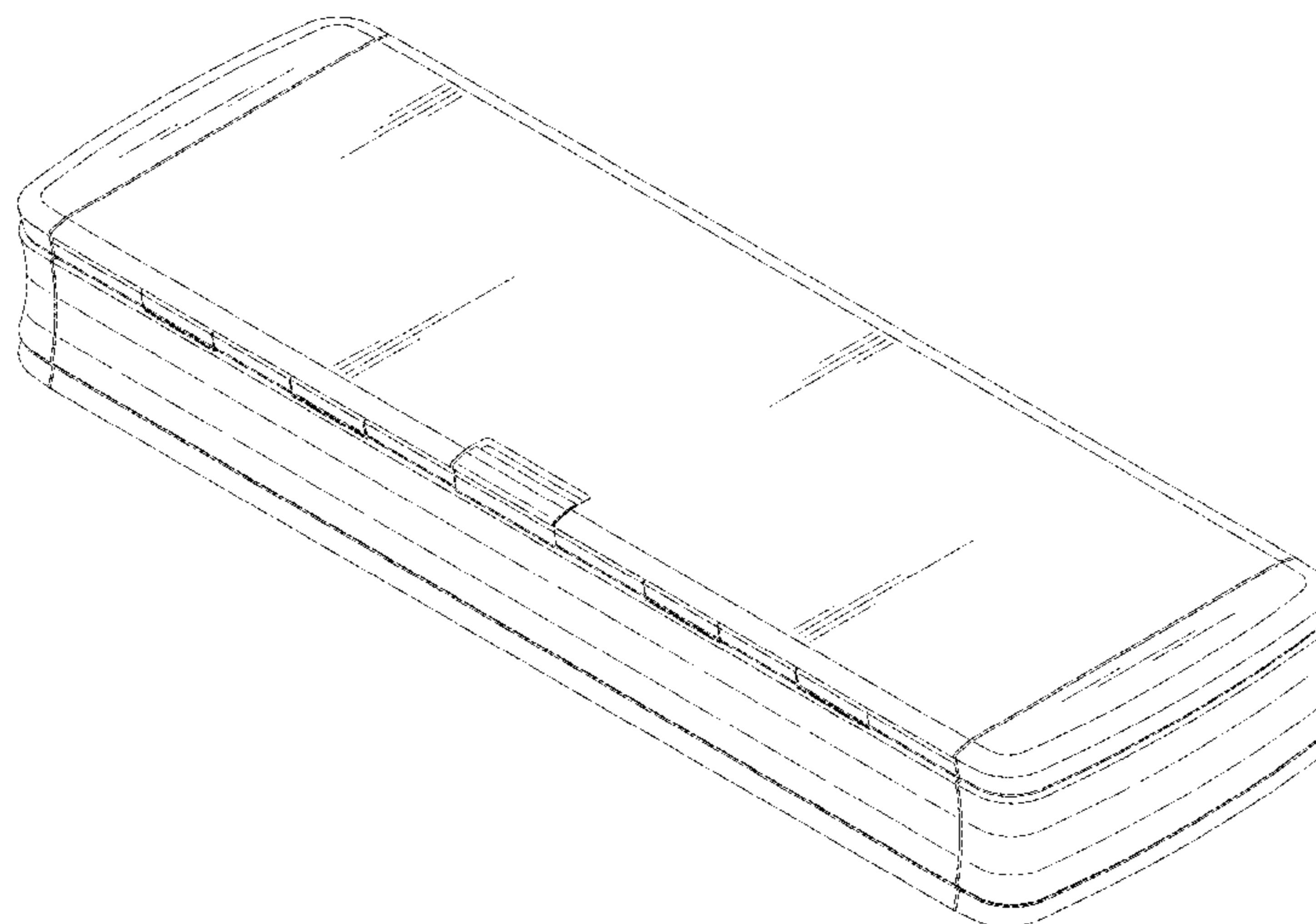
(57) **CLAIM**

The ornamental design for a scanner, as shown and described.

DESCRIPTION

FIG. 1 is a perspective view of a scanner showing our new design;
FIG. 2 is a front view thereof;
FIG. 3 is a rear view thereof;
FIG. 4 is a left side view thereof;
FIG. 5 is a right side view thereof;
FIG. 6 is a plan view thereof; and,
FIG. 7 is a bottom view thereof.

1 Claim, 5 Drawing Sheets



US D682,834 S

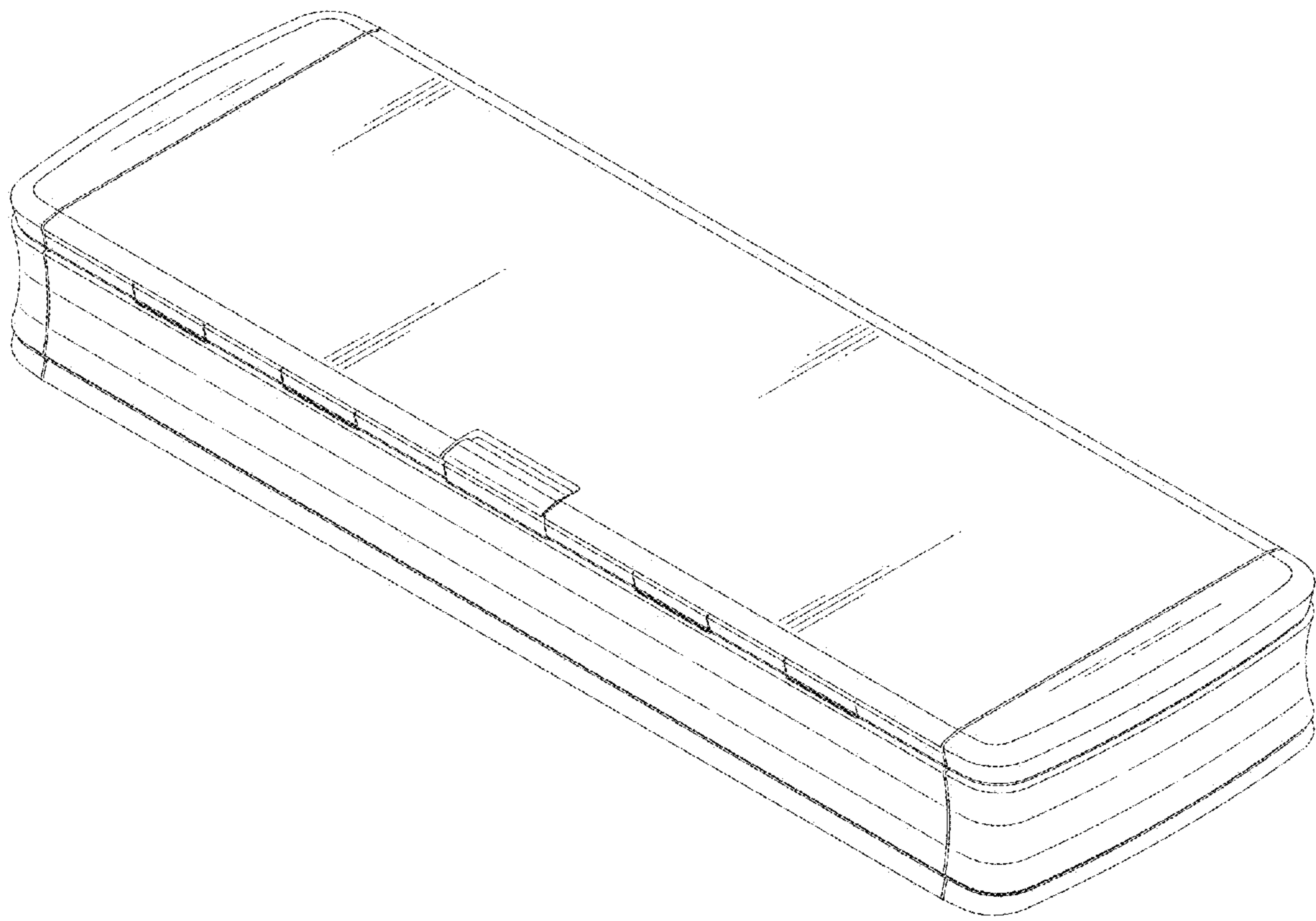
Page 2

U.S. PATENT DOCUMENTS

D363,733	S *	10/1995	Sugimoto	D18/50	6,962,412	B2 *	11/2005	Koike et al.	347/108
D364,639	S *	11/1995	Tashiro	D18/50	D514,161	S *	1/2006	Wong et al.	D18/55
5,531,431	A *	7/1996	Saito et al.	271/4.01	6,991,331	B2 *	1/2006	Kagami et al.	347/108
D374,888	S *	10/1996	Udagawa	D18/50	D516,620	S *	3/2006	Wong	D18/55
D384,945	S *	10/1997	Takada et al.	D14/420	7,029,113	B2 *	4/2006	Hwang	347/108
D401,614	S *	11/1998	Moriyama	D18/36	D523,469	S *	6/2006	Hwang et al.	D18/50
D409,233	S *	5/1999	Kondo	D18/54	D524,851	S *	7/2006	Wong et al.	D18/55
D415,128	S *	10/1999	Kitera	D14/422	D536,731	S *	2/2007	Tate et al.	D18/50
D420,446	S *	2/2000	Kehr et al.	D24/186	7,265,869	B2 *	9/2007	Silverbrook et al.	358/1.3
D428,623	S *	7/2000	Igarashi	D18/54	D563,413	S *	3/2008	Kuroda et al.	D14/422
D435,849	S *	1/2001	Tasi	D14/422	D564,519	S *	3/2008	Genatossio et al.	D14/422
D439,607	S *	3/2001	Inoue et al.	D18/54	D579,938	S *	11/2008	Romanoff et al.	D14/422
6,200,043	B1 *	3/2001	Inoue et al.	400/88	D620,492	S *	7/2010	Tang et al.	D14/422
D440,246	S *	4/2001	Yin	D18/50	D624,544	S *	9/2010	Kuroda et al.	D14/422
6,250,827	B1 *	6/2001	Nojima et al.	400/691	D624,545	S *	9/2010	Kuroda et al.	D14/422
6,382,761	B1 *	5/2002	Asano et al.	347/19	D624,546	S *	9/2010	Kuroda et al.	D14/422
6,382,858	B1 *	5/2002	Nojima et al.	400/691	D624,547	S *	9/2010	Kuroda et al.	D14/422
D459,389	S *	6/2002	Kaseno	D18/50	D631,479	S *	1/2011	Komuro et al.	D14/422
D466,921	S *	12/2002	Senshiki	D18/54	D636,776	S *	4/2011	Kuroda et al.	D14/422
6,556,314	B1 *	4/2003	Shiraishi et al.	358/471	D638,018	S *	5/2011	Kuroda et al.	D14/422
D483,059	S *	12/2003	Goh et al.	D18/50	D643,039	S *	8/2011	Wilday et al.	D14/422
D486,178	S *	2/2004	Wong et al.	D18/55	D644,265	S *	8/2011	Inada et al.	D18/50
D489,401	S *	5/2004	Senshiki et al.	D18/54	D667,051	S *	9/2012	Sato	D18/50
D490,845	S *	6/2004	Fukushima	D18/50	D675,673	S *	2/2013	Sato	D18/50
D497,940	S *	11/2004	Hwang et al.	D18/50	D675,674	S *	2/2013	Sato	D18/50
D499,444	S *	12/2004	Hwang	D18/50	2004/0067089	A1 *	4/2004	Tanaami et al.	400/693

* cited by examiner

Fig. 1



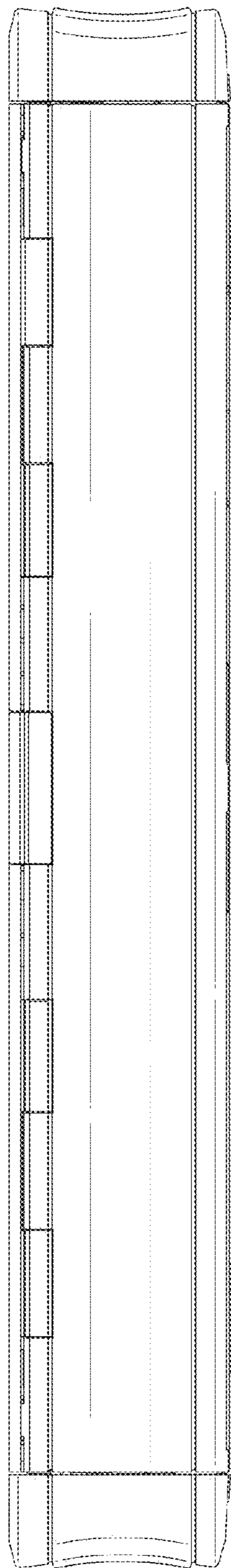


Fig. 2

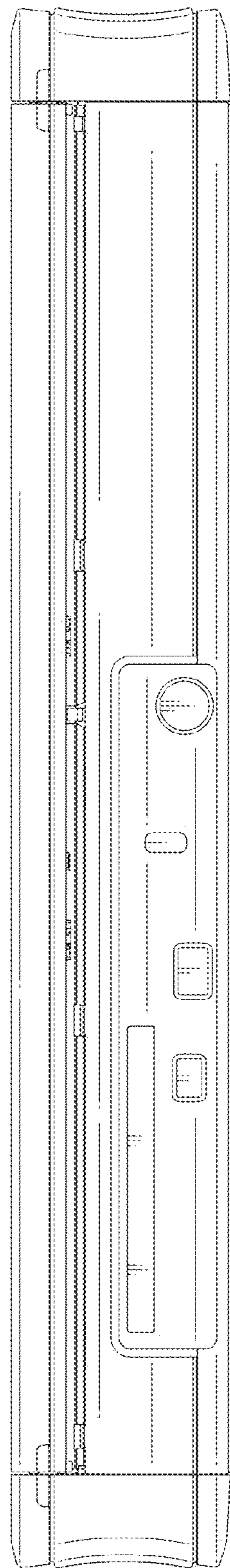


Fig. 3

Fig. 4

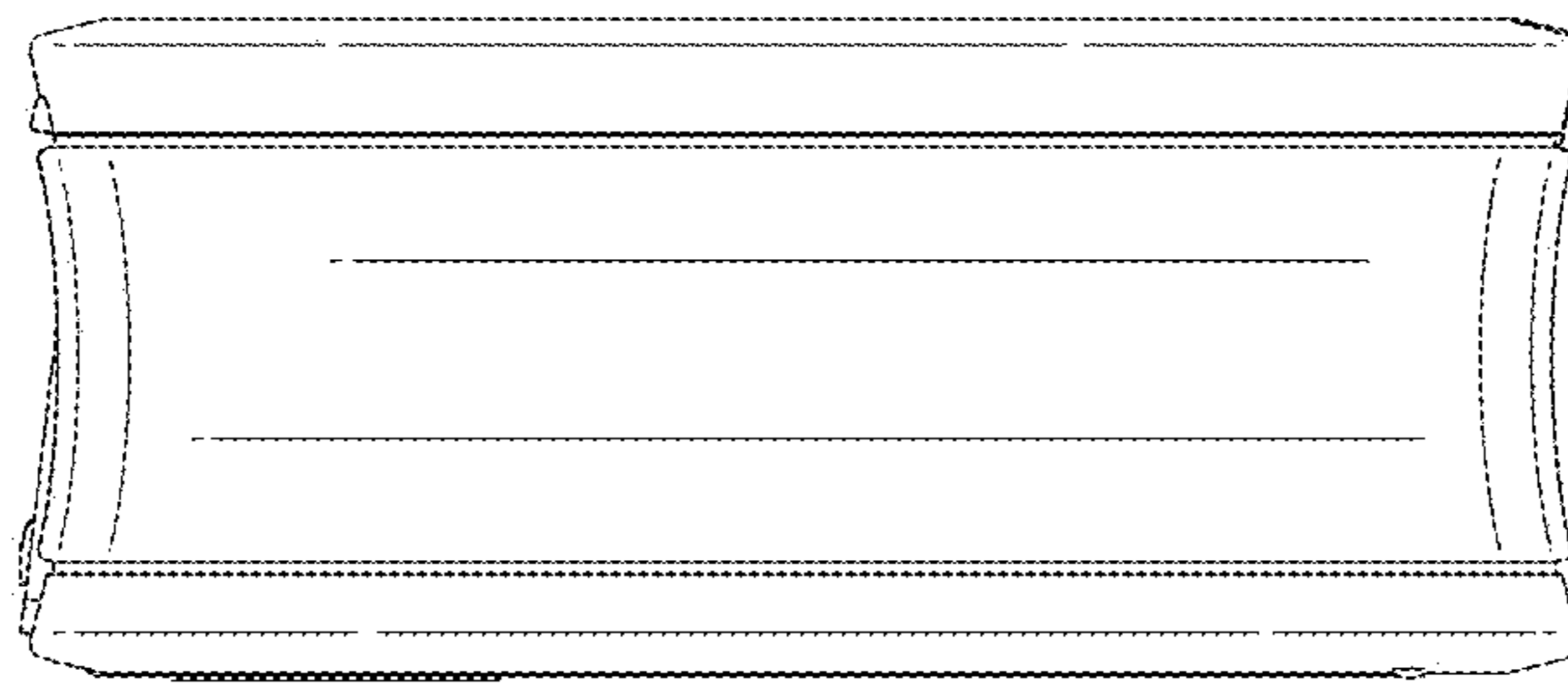


Fig. 5

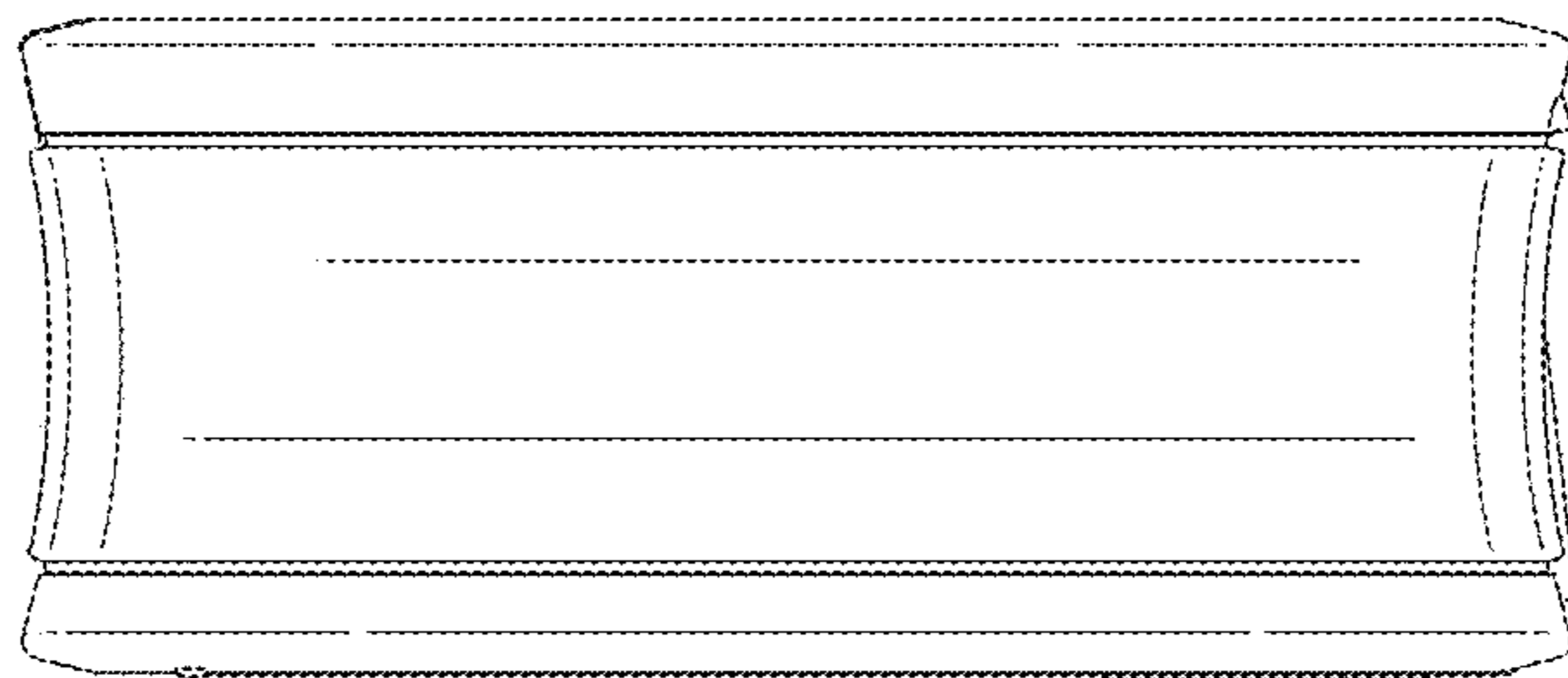


Fig. 6

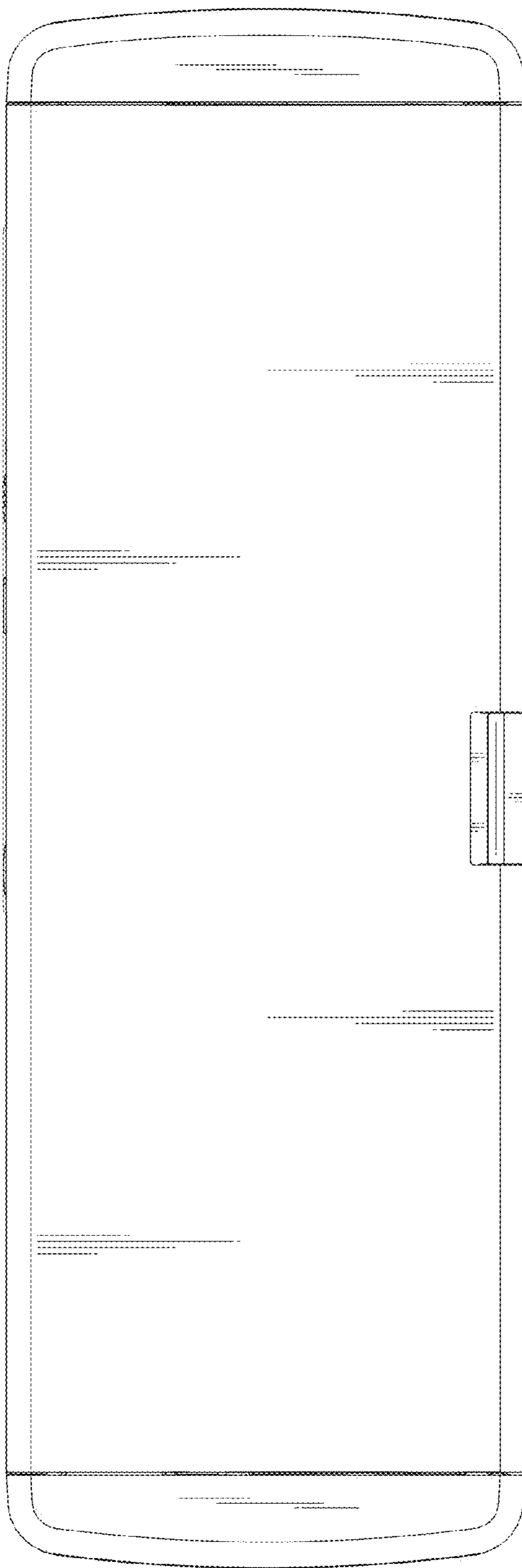


Fig. 7

