



US00D682825S

(12) **United States Design Patent**
Kim et al.

(10) **Patent No.:** **US D682,825 S**
(45) **Date of Patent:** **** May 21, 2013**

(54) **PORTABLE COMPUTER**
(75) Inventors: **Min-Ji Kim**, Seoul (KR); **Ik-Sang Kim**,
Seoul (KR)
(73) Assignee: **Samsung Electronics Co., Ltd.**,
Suwon-Si (KR)

6,775,129 B1 * 8/2004 Ghosh et al. 361/679.27
6,781,819 B2 * 8/2004 Yang et al. 361/679.09
6,785,128 B1 * 8/2004 Yun 361/679.27
D500,991 S 1/2005 Niitsu
D504,889 S 5/2005 Andre et al.
6,972,946 B2 12/2005 Hamada et al.
7,012,802 B2 3/2006 Nakajima et al.
D523,010 S 6/2006 Paek et al.

(**) Term: **14 Years**

(Continued)

(21) Appl. No.: **29/425,446**

FOREIGN PATENT DOCUMENTS

(22) Filed: **Jun. 22, 2012**

KR 3005506890000 1/2010
KR 3005544080000 3/2010

(30) **Foreign Application Priority Data**

(Continued)

Jan. 9, 2012 (KR) 30-2012-0001219

(51) **LOC (9) Cl.** **14-02**

(52) **U.S. Cl.**
USPC **D14/315**

(58) **Field of Classification Search** D14/315-327;
D18/1, 2, 7, 11; 235/145 A, 145 R; 341/22,
341/23; 345/104, 156, 168, 169, 173; 361/679.08,
361/679.09, 679.11, 679.26, 679.27

See application file for complete search history.

OTHER PUBLICATIONS

U.S. Appl. No. 29/422,581, Applicant: Park, et al., filed May 22, 2012
entitled Notebook Computer.

(Continued)

(56) **References Cited**

Primary Examiner — Freda S Nunn
(74) *Attorney, Agent, or Firm* — Wood, Herron & Evans,
LLP

U.S. PATENT DOCUMENTS

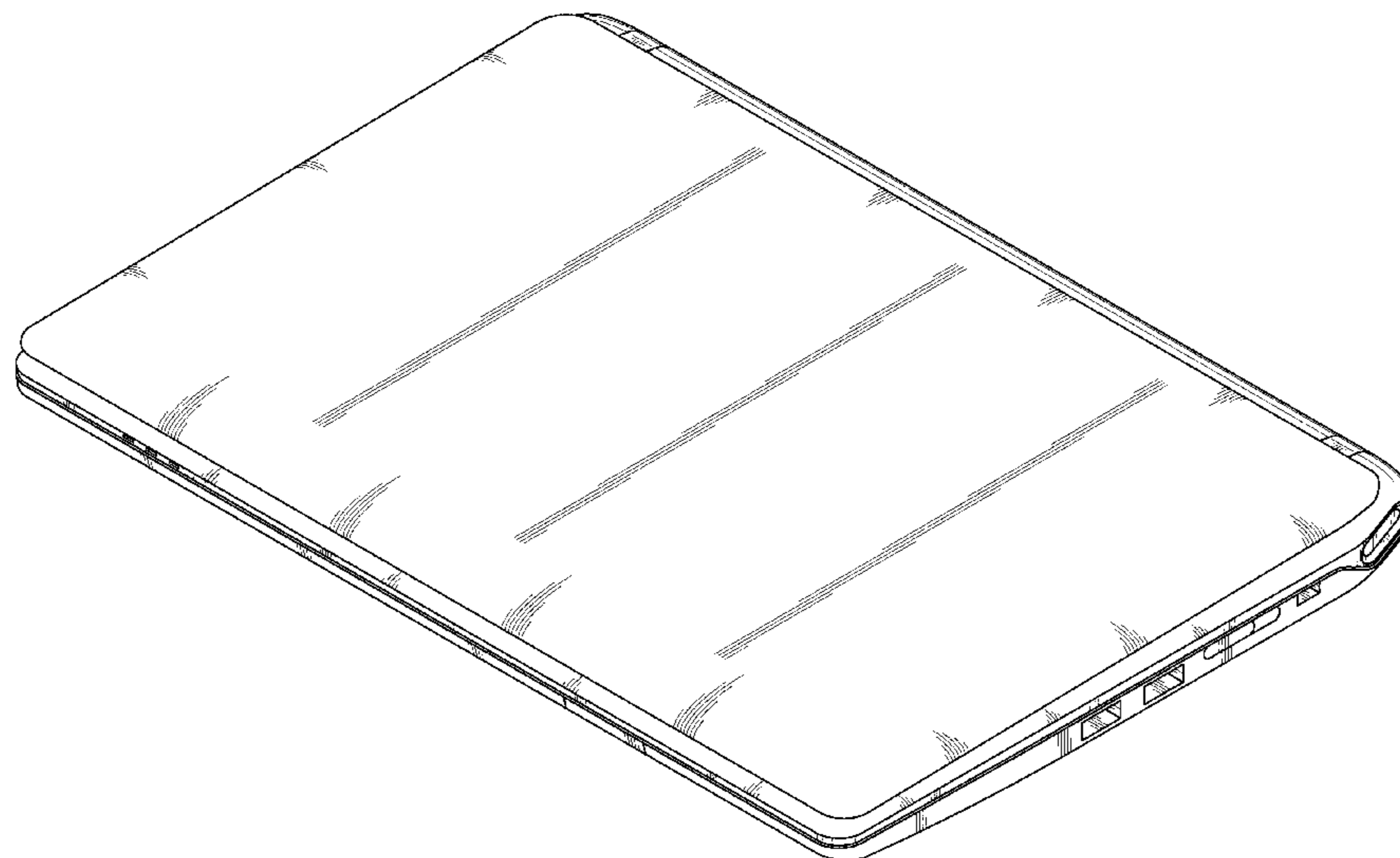
D284,084 S 6/1986 Ferrara, Jr.
D306,583 S 3/1990 Krolopp et al.
D332,944 S 2/1993 Kim
D333,574 S 3/1993 Ackeret
D334,738 S 4/1993 Kim
D335,870 S 5/1993 Yun
D336,465 S 6/1993 Kim
D337,569 S 7/1993 Kando
D338,457 S 8/1993 Kim
D348,442 S 7/1994 Yoon
6,067,224 A 5/2000 Nobuchi
6,519,139 B2 2/2003 Kambayashi
D492,678 S 7/2004 Kim et al.

DESCRIPTION

(57) **CLAIM**
The ornamental design for a portable computer, as shown and
described.

FIG. 1 is a top front perspective view of a portable computer
showing our new design;
FIG. 2 is a front elevational view thereof;
FIG. 3 is a rear elevational view thereof;
FIG. 4 is a left side elevational view thereof;
FIG. 5 is a right side elevational view thereof;
FIG. 6 is a top plan view thereof; and,
FIG. 7 is a bottom plan view thereof.

1 Claim, 4 Drawing Sheets



US D682,825 S

U.S. PATENT DOCUMENTS

D523,431 S	6/2006	Yoon	
D523,851 S	6/2006	Jeong et al.	
D523,852 S	6/2006	Kim et al.	
D524,306 S	7/2006	Yun et al.	
D524,307 S	7/2006	Kim et al.	
D532,791 S	11/2006	Kim	
D535,652 S	1/2007	Lee et al.	
D547,309 S	7/2007	Yoon	
D547,310 S	7/2007	Yoon	
D556,192 S	11/2007	Jeong et al.	
D563,804 S	3/2008	Kimura et al.	
D567,236 S	4/2008	Yoon	
D578,523 S	10/2008	Yoon	
D578,524 S	10/2008	Yoon	
D578,525 S	10/2008	Yoon	
D579,930 S	11/2008	Maskatia	
D580,432 S	11/2008	Yun et al.	
D584,738 S	1/2009	Kim et al.	
D586,343 S	2/2009	Lee et al.	
D586,796 S	2/2009	Lee et al.	
D586,797 S	2/2009	Kawase et al.	
D587,701 S	3/2009	Yoon	
D590,374 S	4/2009	Madonna et al.	
D592,214 S	5/2009	Bradford	
D596,633 S	7/2009	Kawase et al.	
D602,014 S	10/2009	Andre et al.	
D602,487 S	10/2009	Maskatia	
D603,391 S	11/2009	Song et al.	
D603,392 S	11/2009	Jeong et al.	
D603,393 S	11/2009	Paek	
D603,394 S	11/2009	Lee	
D603,395 S	11/2009	Hong et al.	
D603,692 S	11/2009	Boyd	
D603,861 S	11/2009	Hong et al.	
D605,626 S	12/2009	Park	
D606,067 S	12/2009	Yoon	
D606,068 S	12/2009	Hong et al.	
D606,069 S	12/2009	Heck et al.	
D606,070 S	12/2009	Heck et al.	
D606,534 S	12/2009	Hong et al.	
D608,777 S	1/2010	Yoon	
D610,582 S	2/2010	Sugitani et al.	
D611,364 S	3/2010	Lenz et al.	
D611,468 S	3/2010	Yun et al.	
D613,510 S	4/2010	Tzeng et al.	
D613,951 S	4/2010	Tang et al.	
D613,961 S	4/2010	Lin	
D614,614 S	4/2010	Yoon	
D614,615 S	4/2010	Yoon	
D617,793 S	6/2010	Chiang et al.	
D622,268 S	8/2010	Hong et al.	
D622,270 S	8/2010	Andre et al.	
D626,543 S	11/2010	Hagen	
D626,546 S	11/2010	Paek	
D627,341 S	11/2010	Yoon	
D627,667 S	11/2010	Lenz et al.	
D627,773 S	11/2010	Paek	
D628,195 S	11/2010	Yoon	
D628,913 S	12/2010	Cheng	
D629,799 S	12/2010	Andre et al.	
D631,040 S	1/2011	Yoon et al.	
D631,471 S	1/2011	Jensen et al.	
D631,472 S	1/2011	Kawase et al.	
D631,473 S	1/2011	Lee et al.	
D631,878 S	2/2011	Jensen et al.	
D631,879 S	2/2011	Kawase	
D633,487 S	3/2011	Kim et al.	
D633,488 S	3/2011	Kim et al.	
D633,489 S	3/2011	Kim et al.	
D633,490 S	3/2011	Kim et al.	
7,916,889 B2 *	3/2011	Takakusaki	361/679.09
D636,388 S	4/2011	Kawase	
D638,416 S	5/2011	Kawase	
D640,255 S	6/2011	Lee et al.	
D641,748 S	7/2011	Kawase	
D643,031 S	8/2011	Yoon et al.	
D643,032 S	8/2011	Heck et al.	
D643,425 S	8/2011	Jung et al.	

D646,677 S	10/2011	Moon et al.	
D649,542 S	11/2011	Yoon et al.	
D650,325 S	12/2011	Kim et al.	
D650,378 S	12/2011	Lee et al.	
D650,379 S	12/2011	Paek et al.	
D651,206 S	12/2011	Kim et al.	
D651,597 S	1/2012	Lee et al.	
D651,598 S	1/2012	Kim et al.	
D651,599 S	1/2012	Kim et al.	
D651,600 S	1/2012	Lee et al.	
D652,415 S	1/2012	Lee et al.	
D652,416 S	1/2012	Park et al.	
D652,417 S	1/2012	Lee et al.	
D652,831 S	1/2012	Lee et al.	
D653,669 S	2/2012	Kim et al.	
D657,785 S	4/2012	Lee et al.	
8,149,222 B2	4/2012	Hsieh et al.	
D661,294 S	6/2012	Park et al.	
D661,295 S	6/2012	Park et al.	
D661,298 S	6/2012	Park et al.	
D661,299 S	6/2012	Kim et al.	
D661,300 S	6/2012	Kim et al.	
D661,301 S	6/2012	Kim et al.	
D661,302 S	6/2012	Fukasawa et al.	
D664,532 S	7/2012	Lee	
D664,533 S	7/2012	Lee et al.	
D664,534 S	7/2012	Lee et al.	
D664,535 S	7/2012	Lee et al.	
D664,538 S	7/2012	Ryu et al.	
D664,540 S	7/2012	Kim et al.	
D664,954 S	8/2012	Kim et al.	
D664,955 S	8/2012	Kim et al.	
2005/0018396 A1	1/2005	Nakajima et al.	
2005/0041378 A1 *	2/2005	Hamada et al.	361/680
2009/0231292 A1	9/2009	Hsieh et al.	

FOREIGN PATENT DOCUMENTS

KR	3005639120000	6/2010
KR	3005639130000	6/2010
KR	3005680110000	7/2010
KR	3005804720000	11/2010
KR	3005869900000	1/2011
KR	3005942330000	4/2011
KR	3005958550000	4/2011
KR	3006013110001	6/2011
KR	3006013130000	6/2011
KR	3006013160000	6/2011
KR	3006013170000	6/2011
KR	3006052790000	7/2011
KR	3006052810000	7/2011
KR	3006052820000	7/2011
KR	3006052830000	7/2011
KR	3006059710000	7/2011
KR	3006063210000	7/2011
KR	3006064090000	7/2011
KR	3006083610000	8/2011
KR	3006083630000	8/2011
KR	3006083640000	8/2011
KR	3006083650000	8/2011
KR	3006083710000	8/2011
KR	3006083730000	8/2011
KR	3006085180000	8/2011

OTHER PUBLICATIONS

U.S. Appl. No. 29/424,594, Applicant: Park, et al., filed Jun. 12, 2012 entitled Notebook Computer.

U.S. Appl. No. 29/422,779, Applicant: Tae-Yun Kim, filed May 23, 2012 entitled Notebook Computer.

U.S. Appl. No. 29/423,727, Applicant: Lee, et al., filed Jun. 4, 2012 entitled Notebook Computer.

U.S. Appl. No. 29/424,073, Applicant: Lee, et al., filed Jun. 7, 2012 entitled Notebook Computer.

U.S. Appl. No. 29/424,462, Applicant: Sang-Eun Lee, filed Jun. 12, 2012 entitled Netbook Computer.

U.S. Appl. No. 29/425,225, Applicant: Jung, et al., filed Jun. 20, 2012 entitled Portable Computer.

U.S. Appl. No. 29/425,732, Applicant: Park, et al., filed Jun. 26, 2012 entitled Portable Computer.
U.S. Appl. No. 29/425,828, Applicant: Kim, et al., filed Jun. 27, 2012 entitled Portable Computer.
U.S. Appl. No. 29/425,836, Applicant: Park, et al., filed Jun. 27, 2012 entitled Portable Computer.
U.S. Appl. No. 29/423,726, Applicant: Lee, et al., filed Jun. 4, 2012 entitled Notebook Computer.
U.S. Appl. No. 29/424,453, Applicant: Lee, et al., filed Jun. 12, 2012 entitled Notebook Computer.
U.S. Appl. No. 29/405,517, Applicant: Kim, et al., filed Nov. 3, 2011 entitled Notebook Computer.
U.S. Appl. No. 29/403,114, Applicant: Fukusawa, et al., filed Sep. 30, 2011 entitled Notebook Computer.

U.S. Appl. No. 29/419,063, Applicant: Kim, et al., filed May 2, 2012 entitled Notebook Computer.
U.S. Appl. No. 29/419,062, Applicant: Kim, et al., filed May 2, 2012 entitled Notebook Computer.
U.S. Appl. No. 29/419,897, Applicant: Kim, et al., filed May 2, 2012 entitled Notebook Computer.
U.S. Appl. No. 29/419,903, Applicant: Kim, et al., filed May 2, 2012 entitled Notebook Computer.
U.S. Appl. No. 29/419,914, Applicant: Park, et al., filed May 2, 2012 entitled Notebook Computer.
U.S. Appl. No. 29/419,915, Applicant: Kim, et al., filed May 2, 2012 entitled Notebook Computer.

* cited by examiner

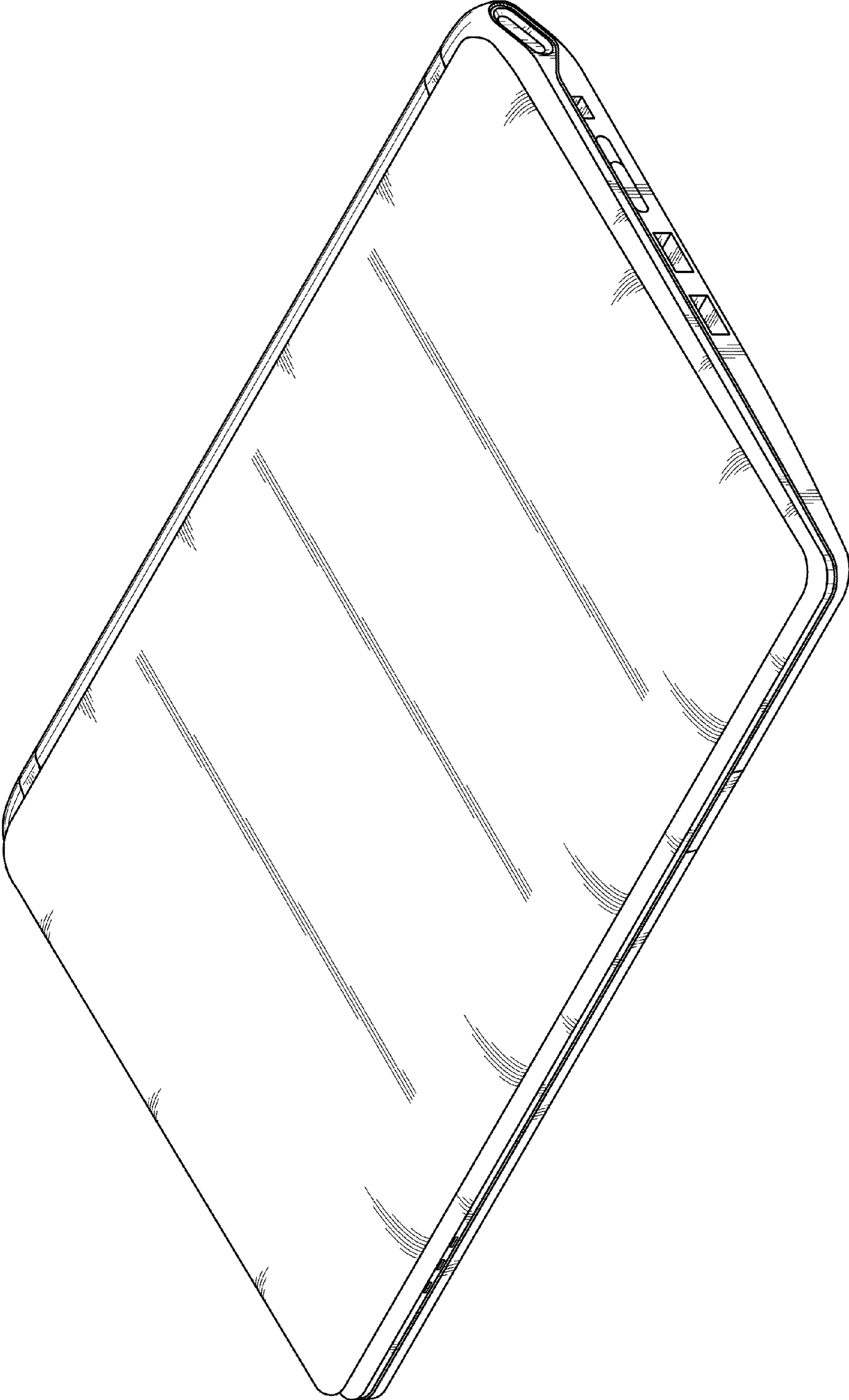


FIG.1

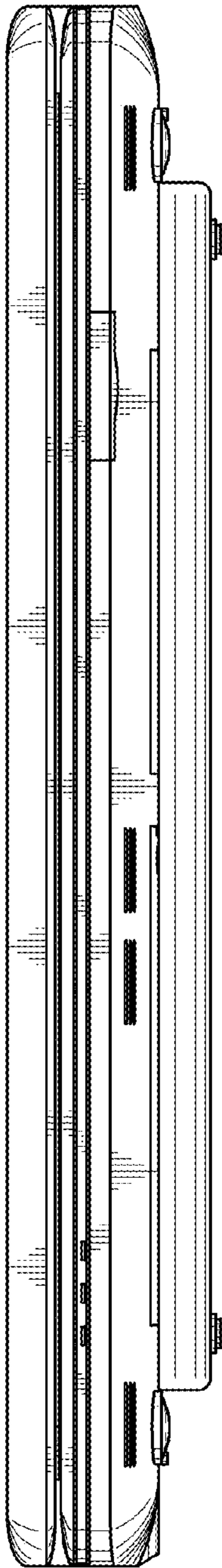


FIG. 2

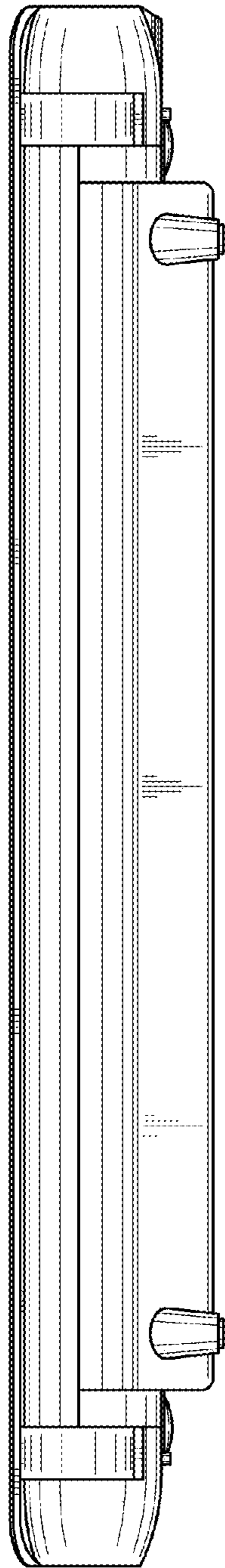


FIG. 3

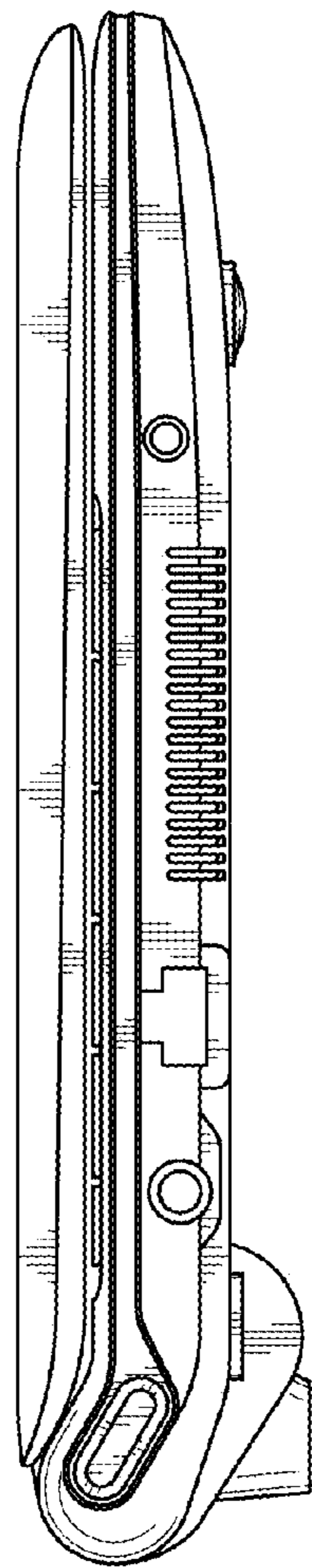


FIG. 4

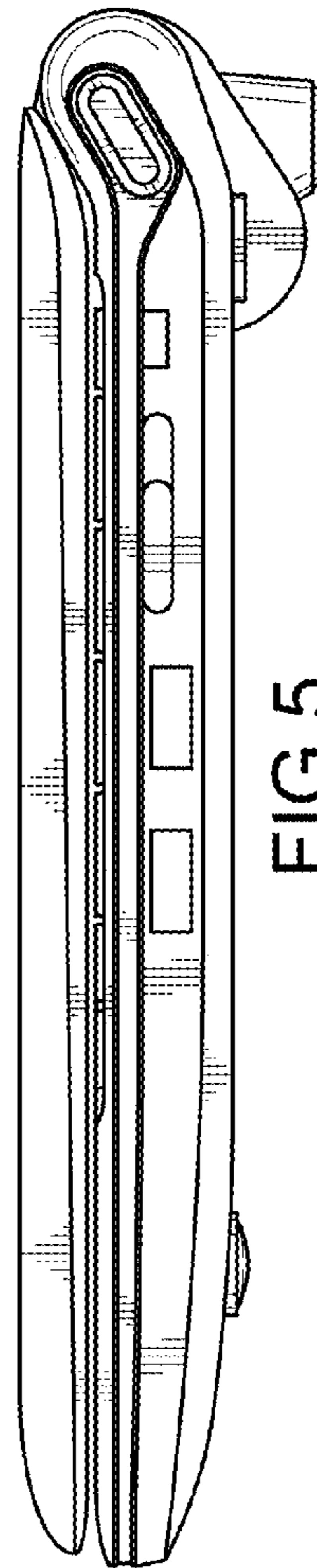


FIG. 5

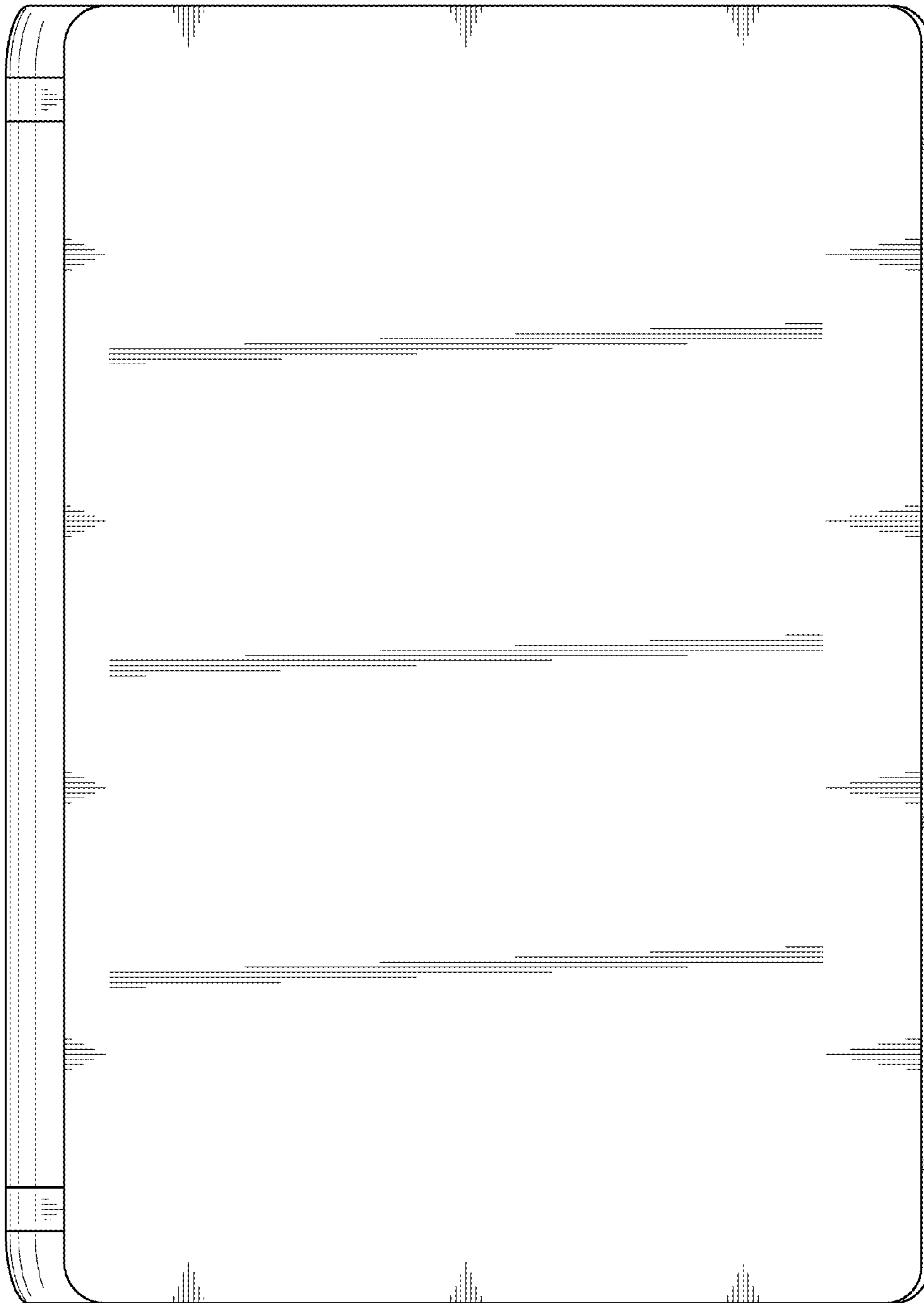


FIG.6

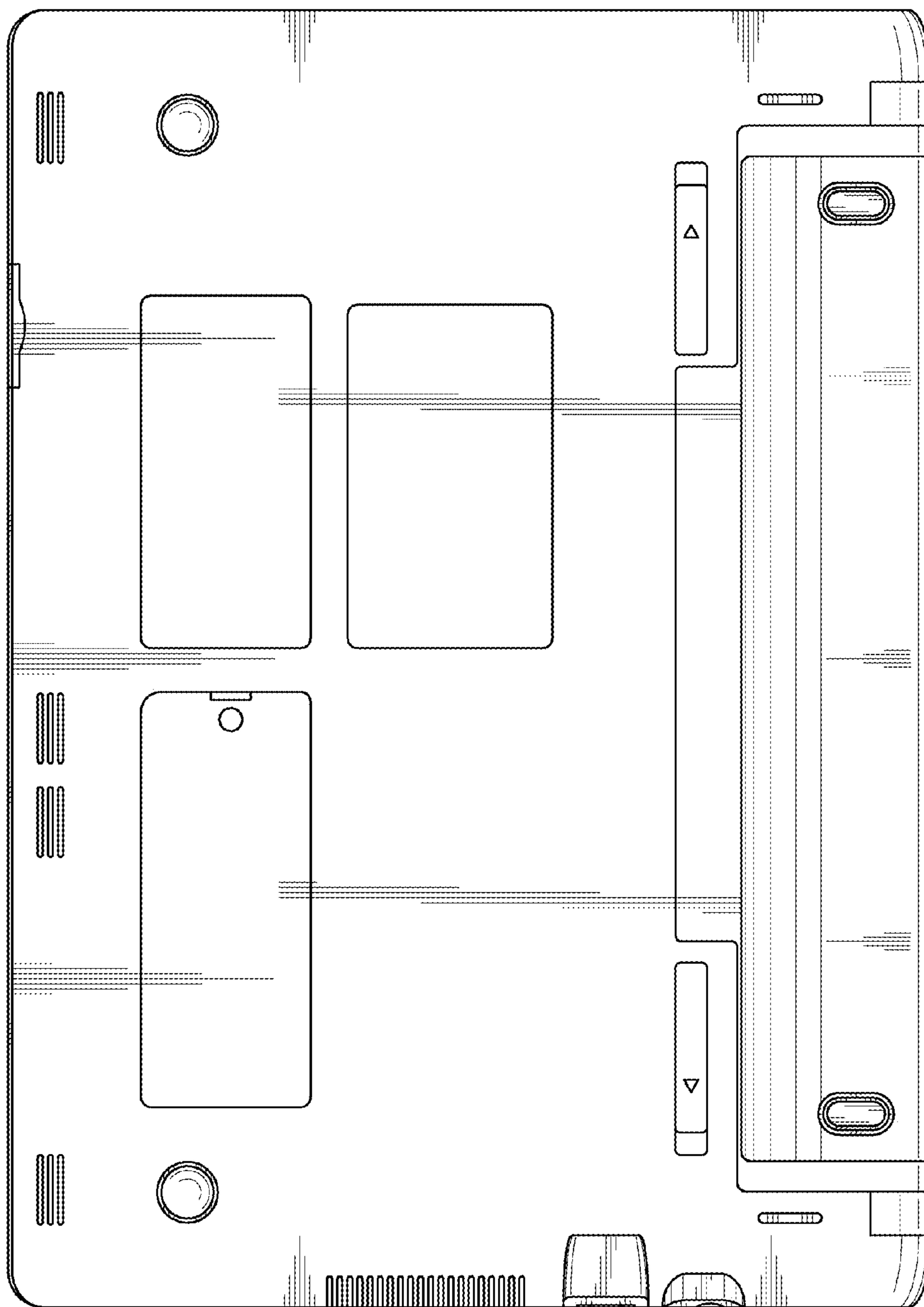


FIG.7