



US00D682822S

(12) **United States Design Patent**  
**Kim et al.**

(10) **Patent No.:** **US D682,822 S**

(45) **Date of Patent:** **\*\* May 21, 2013**

(54) **NOTEBOOK COMPUTER**

(75) Inventors: **Min-Ji Kim**, Gangnam-gu (KR);  
**Ik-Sang Kim**, Seoul (KR)

(73) Assignee: **Samsung Electronics Co., Ltd.**,  
Suwon-Si (KR)

(\*\*) Term: **14 Years**

(21) Appl. No.: **29/419,063**

(22) Filed: **Apr. 24, 2012**

(30) **Foreign Application Priority Data**

Oct. 25, 2011 (KR) ..... 30-2011-0044523

(51) **LOC (9) Cl.** ..... **14-02**

(52) **U.S. Cl.**  
USPC ..... **D14/315**

(58) **Field of Classification Search** ..... D14/315-327;  
D18/1, 2, 7, 11; 235/145 A, 145 R; 341/22,  
341/23; 345/104, 156, 168, 169, 173; 361/679.08,  
361/679.09, 679.11, 679.26, 679.27

See application file for complete search history.

(56) **References Cited**

**U.S. PATENT DOCUMENTS**

D284,084 S	6/1986	Ferrara, Jr.
D306,583 S	3/1990	Krolopp et al.
D332,944 S	2/1993	Kim
D333,574 S	3/1993	Ackeret
D334,738 S	4/1993	Kim
D335,870 S	5/1993	Yun
D336,465 S	6/1993	Kim
D337,569 S	7/1993	Kando
D338,457 S	8/1993	Kim
D348,442 S	7/1994	Yoon
6,067,224 A	5/2000	Nobuchi
6,519,139 B2	2/2003	Kambayashi
D492,678 S	7/2004	Kim et al.

6,775,129 B1 *	8/2004	Ghosh et al.	361/679.27
6,781,819 B2 *	8/2004	Yang et al.	361/679.09
6,785,128 B1 *	8/2004	Yun	361/679.27
D500,991 S	1/2005	Niitsu	
D504,889 S	5/2005	Andre et al.	

(Continued)

**FOREIGN PATENT DOCUMENTS**

KR	3005506890000	1/2010
KR	3005544080000	3/2010

(Continued)

**OTHER PUBLICATIONS**

U.S. Appl. No. 29/393,979, Applicant: Park, et al., filed Jun. 10, 2011  
entitled Notebook Computer.

(Continued)

*Primary Examiner* — Freda S Nunn

(74) *Attorney, Agent, or Firm* — Wood, Herron & Evans,  
LLP

(57) **CLAIM**

The ornamental design for a notebook computer, as shown  
and described.

**DESCRIPTION**

FIG. 1 is a top front perspective view of a notebook computer  
showing our new design;

FIG. 2 is a front elevational view thereof;

FIG. 3 is a rear elevational view thereof;

FIG. 4 is a left side elevational view thereof;

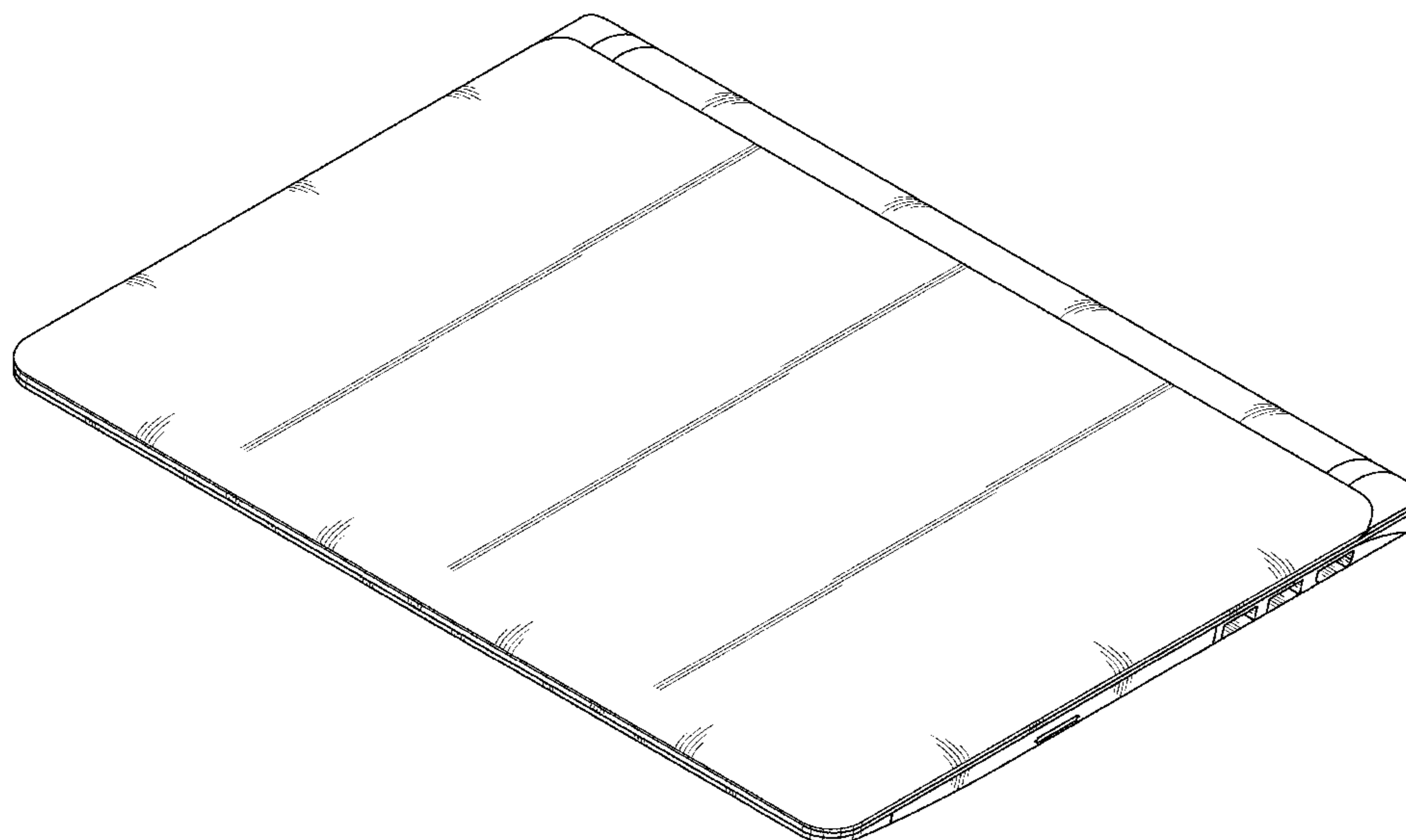
FIG. 5 is a right side elevational view thereof;

FIG. 6 is a top plan view thereof;

FIG. 7 is a bottom plan view thereof; and,

FIG. 8 is a top view thereof in the opened position the broken  
lines being shown to illustrate portions of the notebook com-  
puter and form no part of the claimed design.

**1 Claim, 5 Drawing Sheets**



# US D682,822 S

## U.S. PATENT DOCUMENTS

D523,010 S	6/2006	Paek et al.	
D523,431 S	6/2006	Yoon	
D523,851 S	6/2006	Jeong et al.	
D523,852 S	6/2006	Kim et al.	
D524,306 S	7/2006	Yun et al.	
D524,307 S	7/2006	Kim et al.	
D532,791 S	11/2006	Kim	
D535,652 S	1/2007	Lee et al.	
D547,309 S	7/2007	Yoon	
D547,310 S	7/2007	Yoon	
D556,192 S	11/2007	Jeong et al.	
D563,804 S	3/2008	Kimura et al.	
D567,236 S	4/2008	Yoon	
D578,523 S	10/2008	Yoon	
D578,524 S	10/2008	Yoon	
D578,525 S	10/2008	Yoon	
D579,930 S	11/2008	Maskatia	
D580,432 S	11/2008	Yun et al.	
D584,738 S	1/2009	Kim et al.	
D586,343 S	2/2009	Lee et al.	
D586,796 S	2/2009	Lee et al.	
D586,797 S	2/2009	Kawase et al.	
D587,701 S	3/2009	Yoon	
D590,374 S	4/2009	Madonna et al.	
D592,214 S	5/2009	Bradford	
D596,633 S	7/2009	Kawase et al.	
D602,014 S	10/2009	Andre et al.	
D602,487 S	10/2009	Maskatia	
D603,391 S	11/2009	Song et al.	
D603,392 S	11/2009	Jeong et al.	
D603,393 S	11/2009	Paek	
D603,394 S	11/2009	Lee	
D603,395 S	11/2009	Hong et al.	
D603,692 S	11/2009	Boyd	
D603,861 S	11/2009	Hong et al.	
D605,626 S	12/2009	Park	
D606,067 S	12/2009	Yoon	
D606,068 S	12/2009	Hong et al.	
D606,069 S	12/2009	Heck et al.	
D606,070 S	12/2009	Heck et al.	
D606,534 S	12/2009	Hong et al.	
D608,777 S	1/2010	Yoon	
D610,582 S	2/2010	Sugitani et al.	
D611,364 S	3/2010	Lenz et al.	
D611,468 S	3/2010	Yun et al.	
D613,510 S	4/2010	Tzeng et al.	
D613,961 S	4/2010	Lin	
D614,614 S	4/2010	Yoon	
D614,615 S	4/2010	Yoon	
D617,793 S	6/2010	Chiang et al.	
D622,268 S	8/2010	Hong et al.	
D622,270 S	8/2010	Andre et al.	
D626,543 S	11/2010	Hagen	
D626,546 S	11/2010	Paek	
D627,341 S	11/2010	Yoon	
D627,667 S	11/2010	Lenz et al.	
D627,773 S	11/2010	Paek	
D628,195 S	11/2010	Yoon	
D628,913 S	12/2010	Cheng	
D629,799 S	12/2010	Andre et al.	
D631,040 S	1/2011	Yoon et al.	
D631,471 S	1/2011	Jensen et al.	
D631,472 S	1/2011	Kawase et al.	
D631,473 S	1/2011	Lee et al.	
D631,878 S	2/2011	Jensen et al.	
D631,879 S	2/2011	Kawase	
D633,487 S	3/2011	Kim et al.	
D633,488 S	3/2011	Kim et al.	
D633,489 S	3/2011	Kim et al.	
D633,490 S	3/2011	Kim et al.	
7,916,889 B2 *	3/2011	Takakusaki .....	361/679.09
D636,388 S	4/2011	Kawase	
D638,416 S	5/2011	Kawase	
D640,255 S	6/2011	Lee et al.	
D641,748 S	7/2011	Kawase	
D643,031 S	8/2011	Yoon et al.	
D643,425 S	8/2011	Jung et al.	
D646,677 S	10/2011	Moon et al.	

D649,542 S	11/2011	Yoon et al.	
D650,325 S	12/2011	Kim et al.	
D650,378 S	12/2011	Lee et al.	
D650,379 S	12/2011	Paek et al.	
D651,206 S	12/2011	Kim et al.	
D651,597 S	1/2012	Lee et al.	
D651,598 S	1/2012	Kim et al.	
D651,599 S	1/2012	Kim et al.	
D651,600 S	1/2012	Lee et al.	
D652,415 S	1/2012	Lee et al.	
D652,416 S	1/2012	Park et al.	
D652,417 S	1/2012	Lee et al.	
D652,831 S	1/2012	Lee et al.	
D653,669 S	2/2012	Kim et al.	
D657,785 S	4/2012	Lee et al.	
2005/0018396 A1	1/2005	Nakajima et al.	
2005/0041378 A1 *	2/2005	Hamada et al. ....	361/680
2009/0231292 A1	9/2009	Hsieh et al.	

## FOREIGN PATENT DOCUMENTS

KR	3005639120000	6/2010
KR	3005639130000	6/2010
KR	3005680110000	7/2010
KR	3005804720000	11/2010
KR	3005869900000	1/2011
KR	3005942330000	4/2011
KR	3005958550000	4/2011
KR	3006013110001	6/2011
KR	3006013130000	6/2011
KR	3006013160000	6/2011
KR	3006013170000	6/2011
KR	3006052790000	7/2011
KR	3006052810000	7/2011
KR	3006052820000	7/2011
KR	3006052830000	7/2011
KR	3006059710000	7/2011
KR	3006063210000	7/2011
KR	3006064090000	7/2011
KR	3006083610000	8/2011
KR	3006083630000	8/2011
KR	3006083640000	8/2011
KR	3006083650000	8/2011
KR	3006083710000	8/2011
KR	3006083730000	8/2011
KR	3006085180000	8/2011

## OTHER PUBLICATIONS

U.S. Appl. No. 29/393,980, Applicant: Park, et al., filed Jun. 10, 2011 entitled Notebook Computer.

U.S. Appl. No. 29/396,993, Applicant: Kim, et al., filed Jul. 11, 2011 entitled Notebook Computer.

U.S. Appl. No. 29/397,032, Applicant: Kim, et al., filed Jul. 11, 2011 entitled Notebook Computer.

U.S. Appl. No. 29/397,034, Applicant: Kim, et al., filed Jul. 11, 2011 entitled Notebook Computer.

U.S. Appl. No. 29/397,064, Applicant: Fukusawa, et al., filed Jul. 11, 2011 entitled Notebook Computer.

U.S. Appl. No. 29/397,041, Applicant: Ryu et al., filed Jul. 11, 2011 entitled Netbook Computer.

U.S. Appl. No. 29/393,983, Applicant: Park, et al., filed Jun. 10, 2011 entitled Notebook Computer.

U.S. Appl. No. 29/403,100, Applicant: Lee, et al., filed Sep. 30, 2011 entitled Notebook Computer.

U.S. Appl. No. 29/403,114, Applicant: Fukusawa, et al., filed Sep. 30, 2011 entitled Notebook Computer.

U.S. Appl. No. 29/403,103, Applicant: Lee, et al., filed Sep. 30, 2011 entitled Notebook Computer.

U.S. Appl. No. 29/403,119, Applicant: Lee, et al., filed Sep. 30, 2011 entitled Notebook Computer.

U.S. Appl. No. 29/403,094, Applicant: Se-O Lee., filed Sep. 30, 2011 entitled Notebook Computer.

U.S. Appl. No. 29/105,517, Applicant: Kim, et al., filed Nov. 3, 2011 entitled Notebook Computer.

U.S. Appl. No. 29/419,063, Applicant: Kim, et al., filed May 2, 2012 entitled Notebook Computer.

# US D682,822 S

Page 3

---

U.S. Appl. No. 29/419,062, Applicant: Kim, et al., filed May 2, 2012  
entitled Notebook Computer.

U.S. Appl. No. 29/419,897, Applicant: Kim, et al., filed May 2, 2012  
entitled Notebook Computer.

U.S. Appl. No. 29/419,903, Applicant: Kim, et al., filed May 2, 2012  
entitled Notebook Computer.

U.S. Appl. No. 29/419,914, Applicant: Park, et al., filed May 2, 2012  
entitled Notebook Computer.

U.S. Appl. No. 29/419,915, Applicant: Kim, et al., filed May 2, 2012  
entitled Notebook Computer.

\* cited by examiner

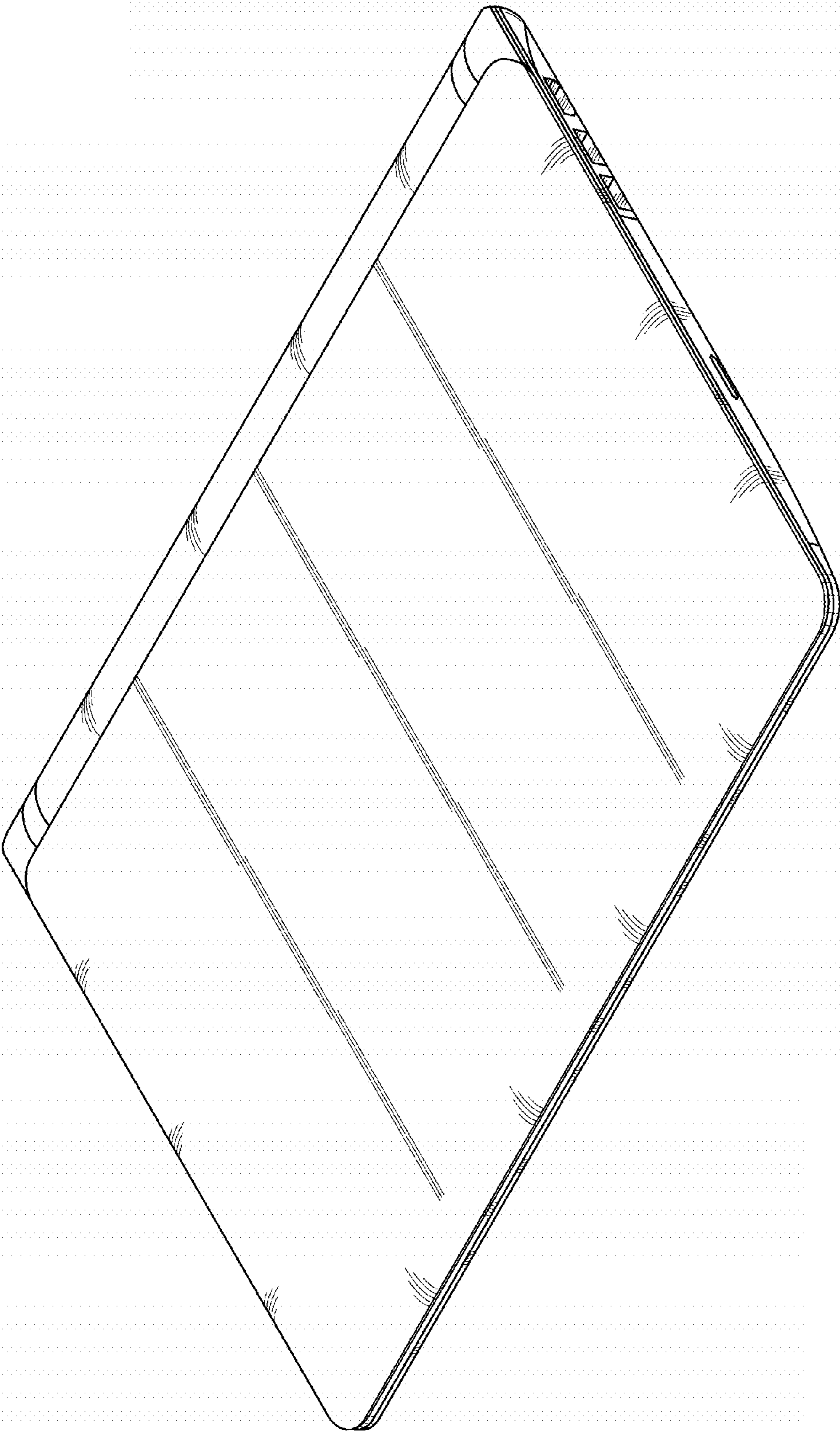


FIG.1

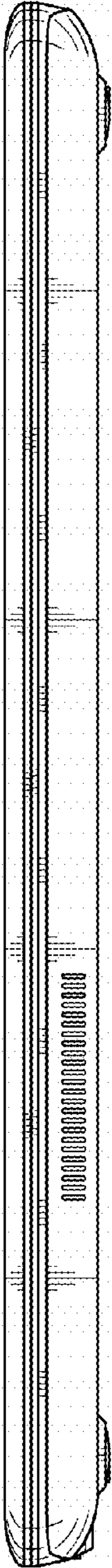


FIG. 2

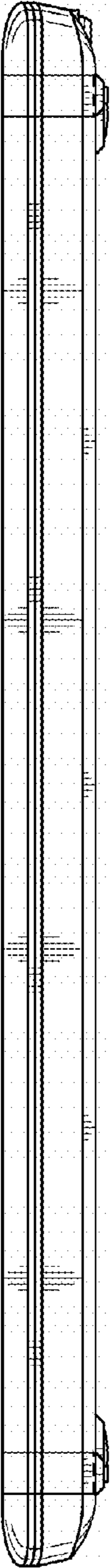


FIG. 3

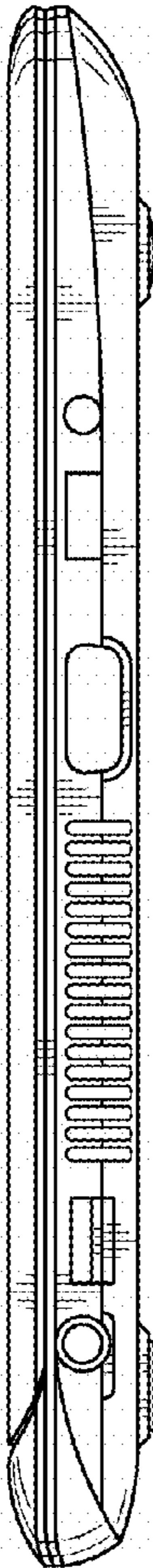


FIG. 4

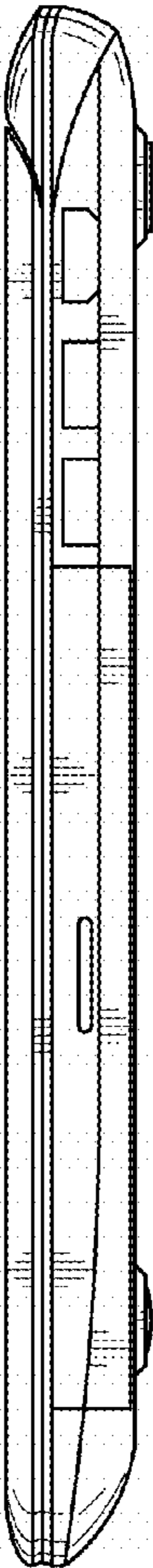


FIG. 5

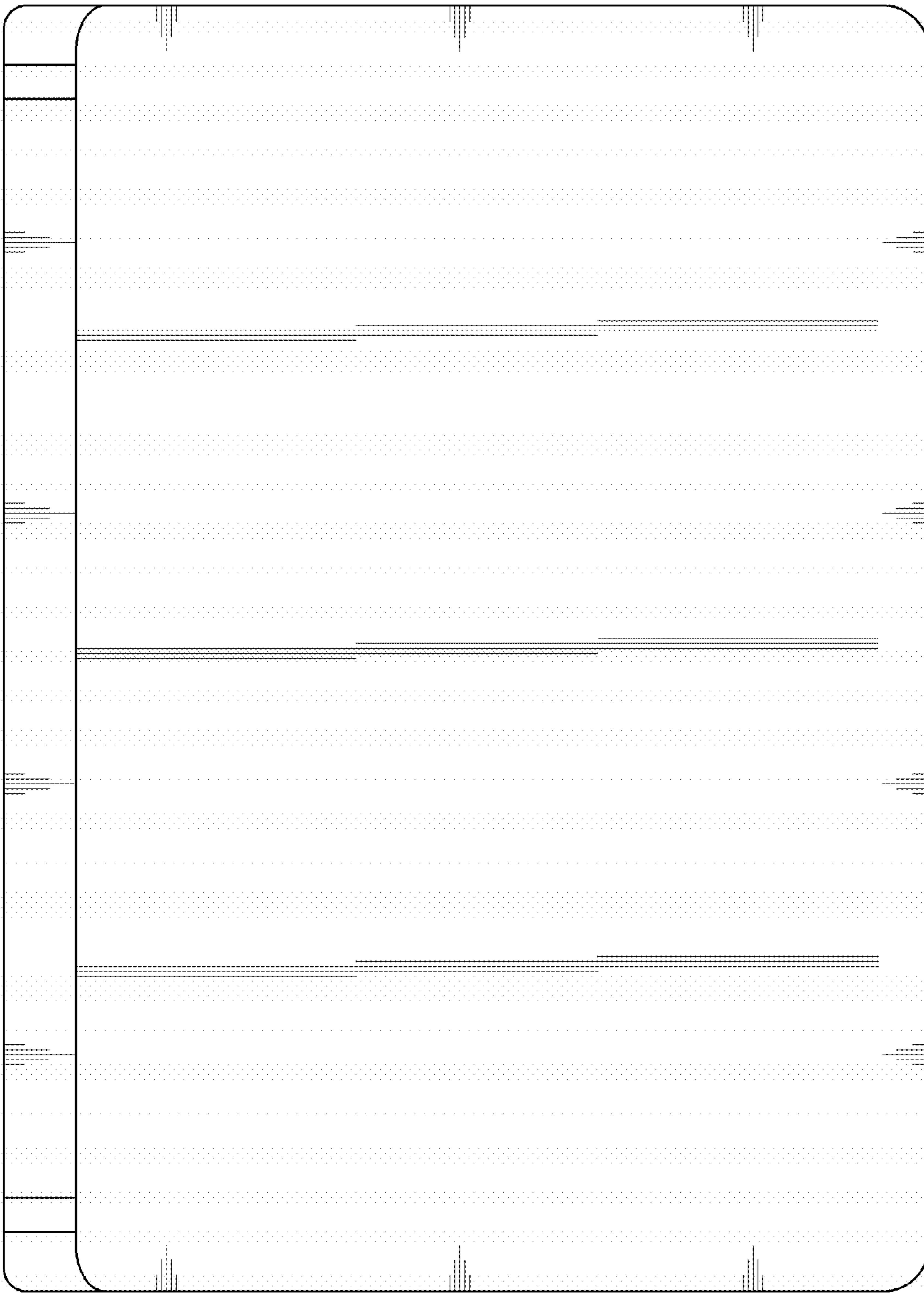


FIG. 6

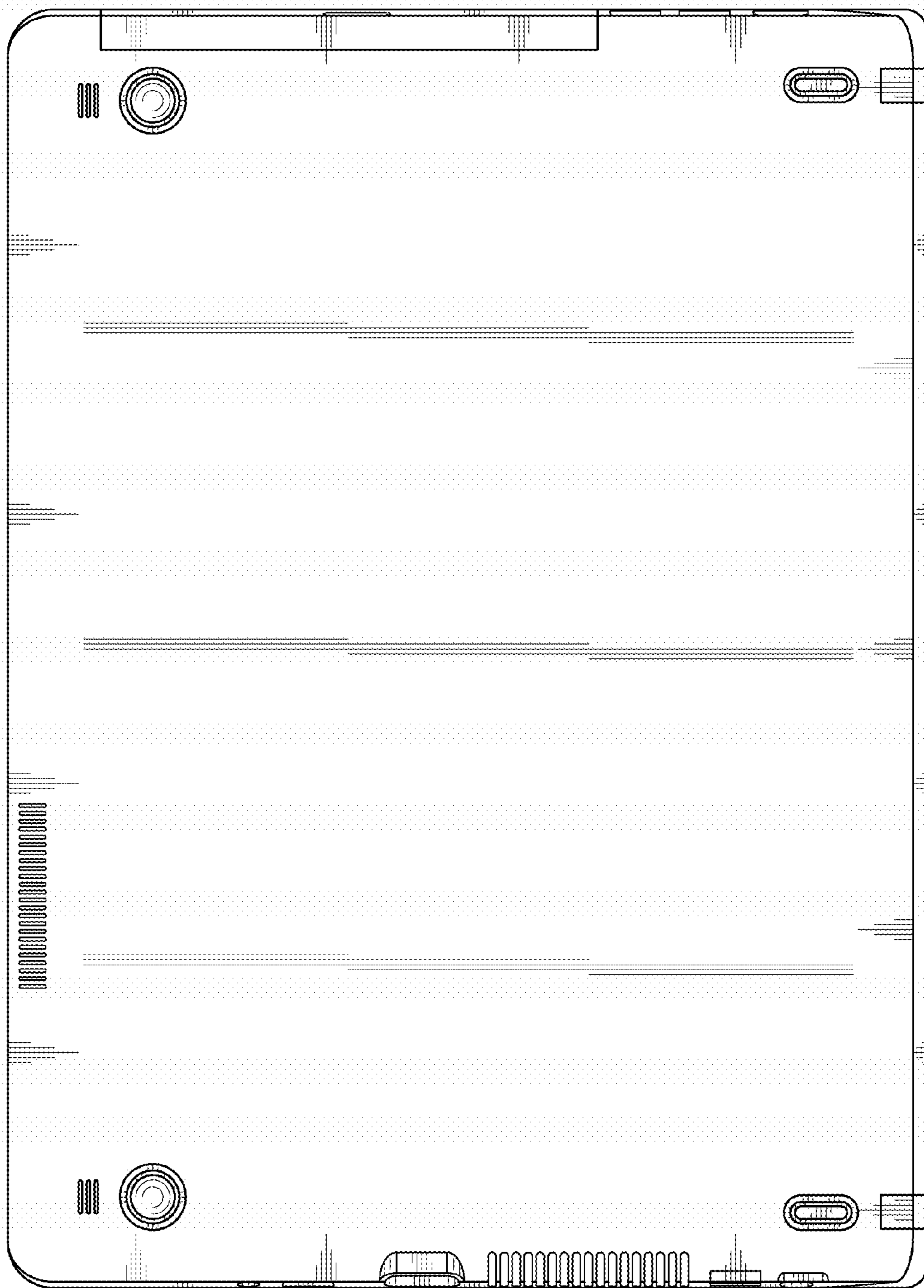


FIG.7

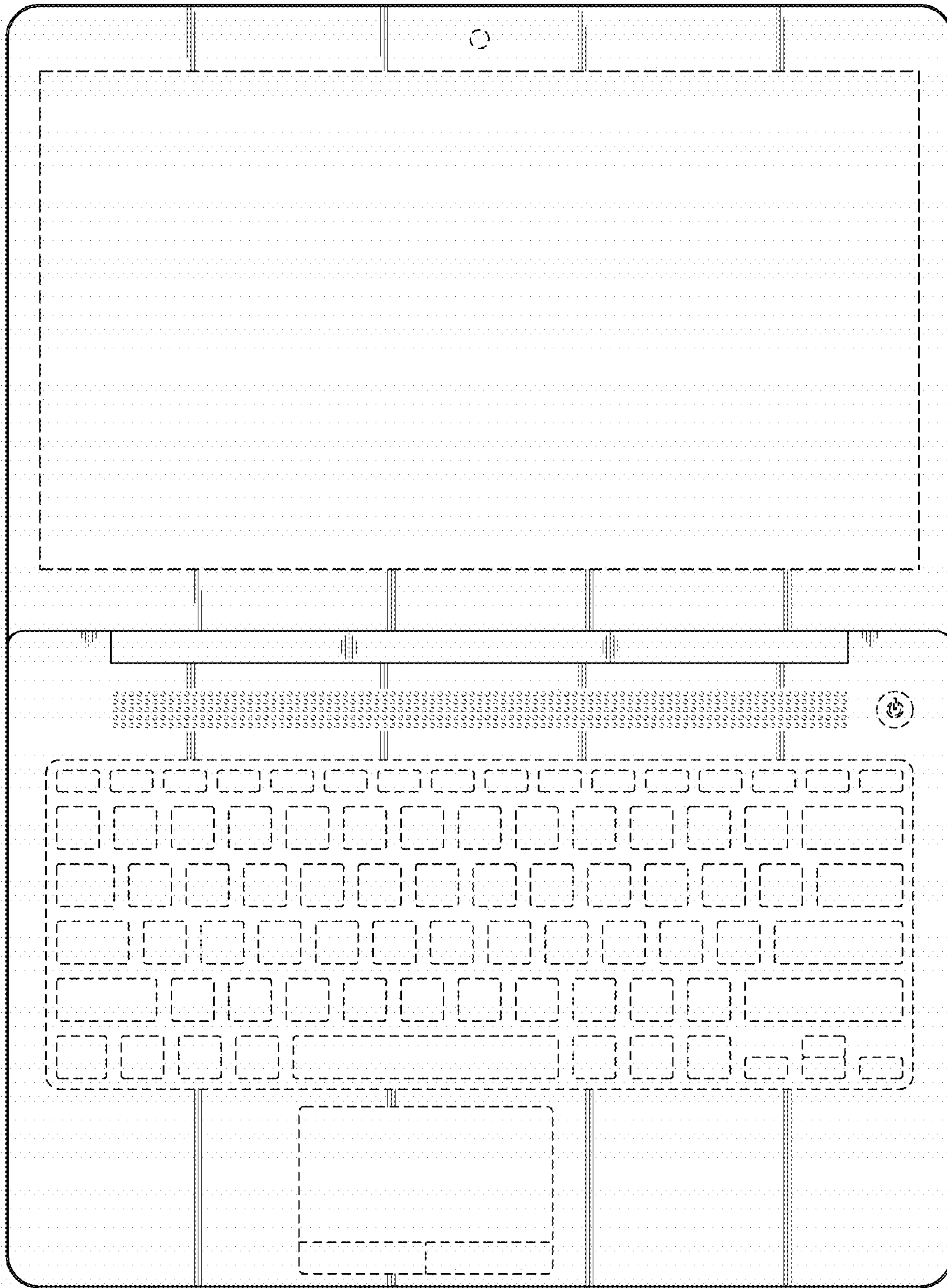


FIG. 8