



US00D682819S

(12) **United States Design Patent**
Tanaka

(10) **Patent No.:** **US D682,819 S**

(45) **Date of Patent:** **** May 21, 2013**

(54) **COMPUTER**

(75) Inventor: **Soichi Tanaka**, Tokyo (JP)

(73) Assignee: **Sony Corporation**, Tokyo (JP)

(**) Term: **14 Years**

(21) Appl. No.: **29/371,849**

(22) Filed: **Oct. 25, 2011**

(30) **Foreign Application Priority Data**

Apr. 25, 2011	(CN)	2011 3 0094547
Apr. 25, 2011	(JP)	D2011-009550
Apr. 25, 2011	(JP)	D2011-009551
Apr. 25, 2011	(JP)	D2011-009552
Apr. 25, 2011	(JP)	D2011-009553
Apr. 25, 2011	(JP)	D2011-009554
Apr. 25, 2011	(JP)	D2011-009555
Apr. 25, 2011	(JP)	D2011-009556
Apr. 25, 2011	(JP)	D2011-009557
Apr. 25, 2011	(JP)	D2011-009558
Apr. 25, 2011	(JP)	D2011-009559
Apr. 25, 2011	(JP)	D2011-009560
Apr. 25, 2011	(JP)	D2011-009561

(51) **LOC (9) Cl.** **14-02**

(52) **U.S. Cl.**
USPC **D14/315**

(58) **Field of Classification Search** D14/315-327;
D18/1, 2, 7, 11; 235/145 A, 145 R; 341/22,
341/23; 345/104, 156, 168, 169, 173; 361/679.08,
361/679.09, 679.11, 679.26, 679.27
See application file for complete search history.

(56) **References Cited**

U.S. PATENT DOCUMENTS

D425,874 S * 5/2000 Tanimura D14/318

(Continued)

FOREIGN PATENT DOCUMENTS

JP	D1065790 S	4/2000
JP	D1161645 S	12/2002
JP	D1259272 S	12/2005

OTHER PUBLICATIONS

Web page, Samsung Sliding PC 7 Series, 2pages, http://www.samsung.com/us/news/newsRead.do?news_seq=19770 , Samsung, (Jan. 5, 2011).

(Continued)

Primary Examiner — Freda S Nunn

(74) *Attorney, Agent, or Firm* — Rader, Fishman & Grauer PLLC

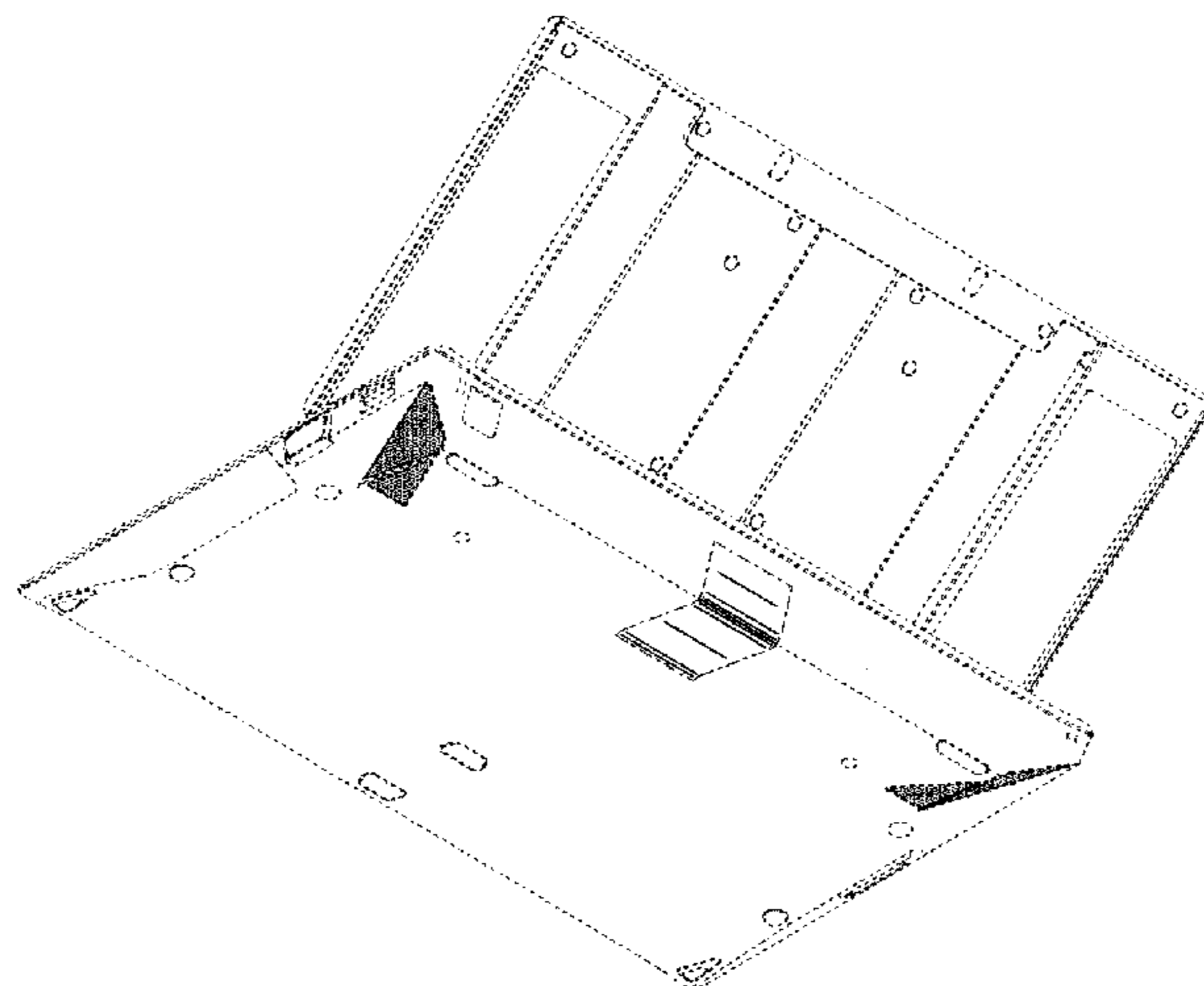
(57) **CLAIM**

The ornamental design for a computer, as shown and described.

DESCRIPTION

FIG. 1 is a rear, bottom, right perspective view of a first embodiment of a computer showing my new design; FIG. 2 is a front elevational view thereof; FIG. 3 is a rear elevational view thereof; FIG. 4 is a bottom plan view thereof. FIG. 5 is a rear, bottom, right perspective view of a second embodiment of a computer showing my new design; FIG. 6 is a front elevational view thereof; FIG. 7 is a rear elevational view thereof; FIG. 8 is a bottom plan view thereof. FIG. 9 is a rear, bottom, right perspective view of a third embodiment of a computer showing my new design; FIG. 10 is a front elevational view thereof; FIG. 11 is a rear elevational view thereof; and, FIG. 12 is a bottom plan view thereof. Portions of the computer shown in broken lines are for environmental purposes only and form no part of the claimed design, and the dot-dash lines define the boundaries of the claim design.

1 Claim, 9 Drawing Sheets



US D682,819 S

Page 2

U.S. PATENT DOCUMENTS

D517,063 S * 3/2006 Nakajima et al. D14/318
D523,429 S * 6/2006 Lin D14/318
D524,306 S * 7/2006 Yun et al. D14/315
D526,999 S * 8/2006 Tago D14/327
D617,313 S 6/2010 Iseki
D646,665 S 10/2011 Iijima
D648,333 S * 11/2011 Andre et al. D14/315

OTHER PUBLICATIONS

Web page, Asus Eee Pad Slider SL101, 3 pages, http://www.asus.com/Eee/Eee_Pad/Eee_Pad_Slider_SL101, Asus, (Jan. 5, 2011).
Web page, Fujitsu Lifebook TH40/D, <http://pr.fujitsu.com/jp/news/2011/05/13.html>, 5 pages, Fujitsu, (May 13, 2011).

* cited by examiner

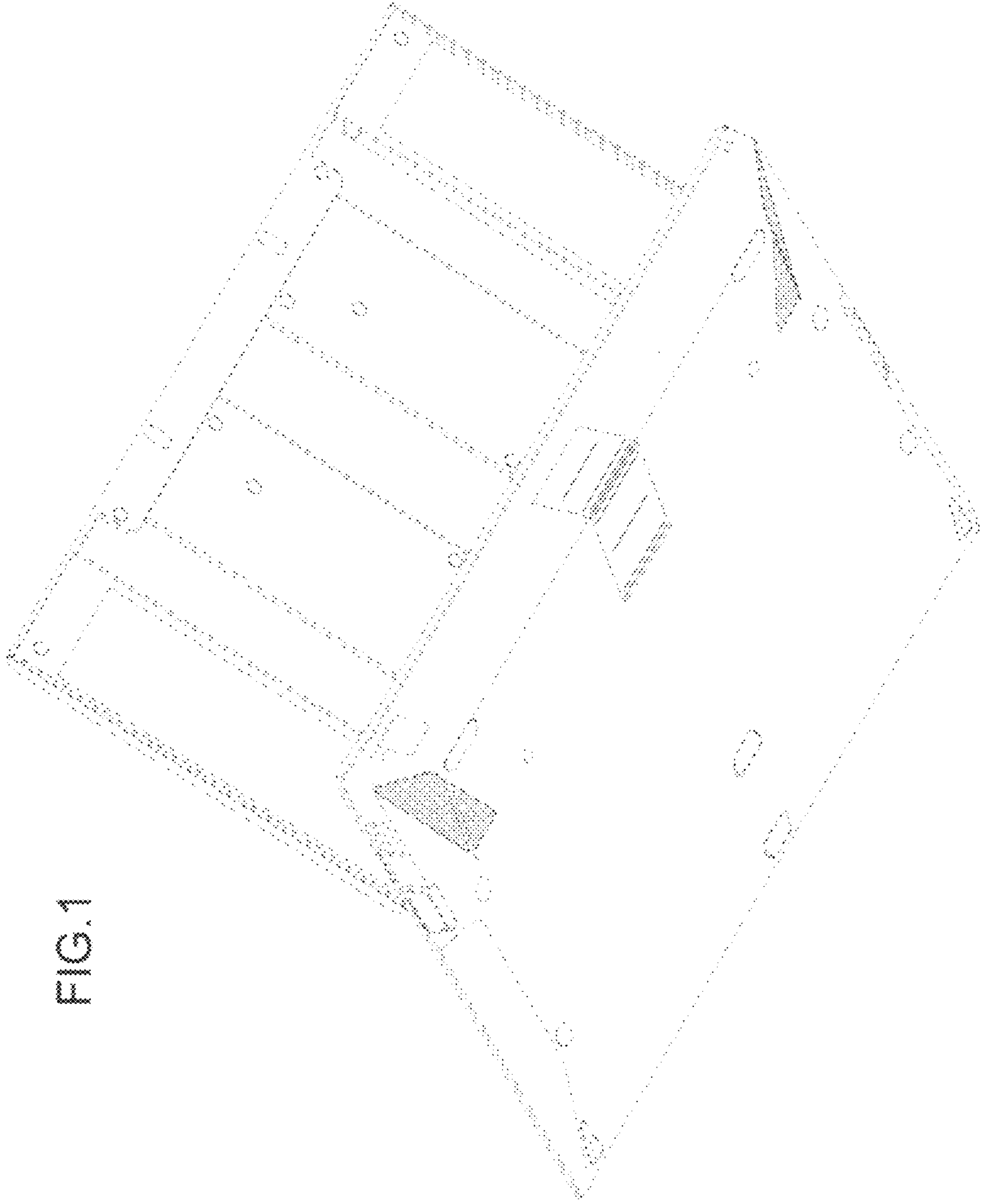


FIG. 1

FIG.2

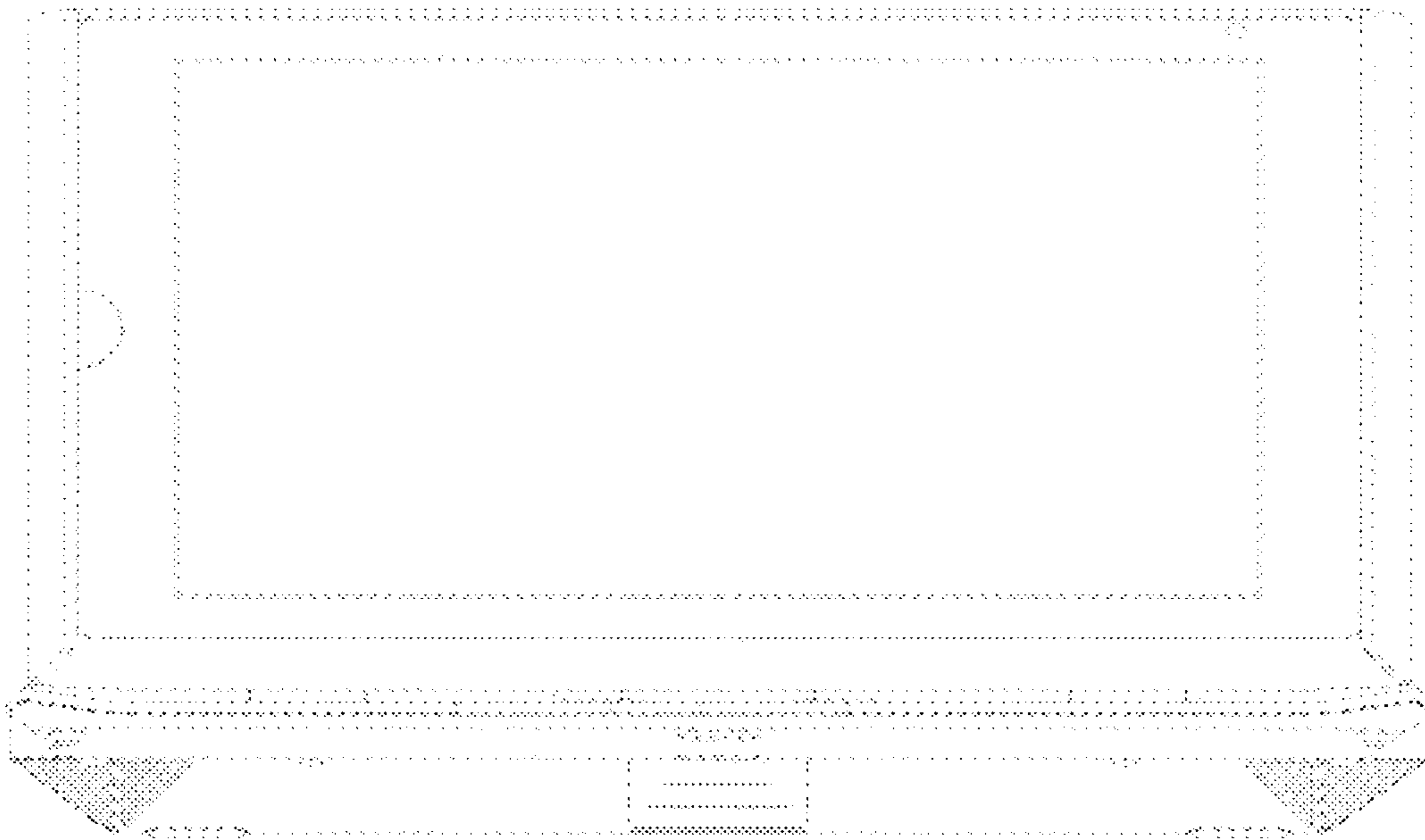


FIG.3

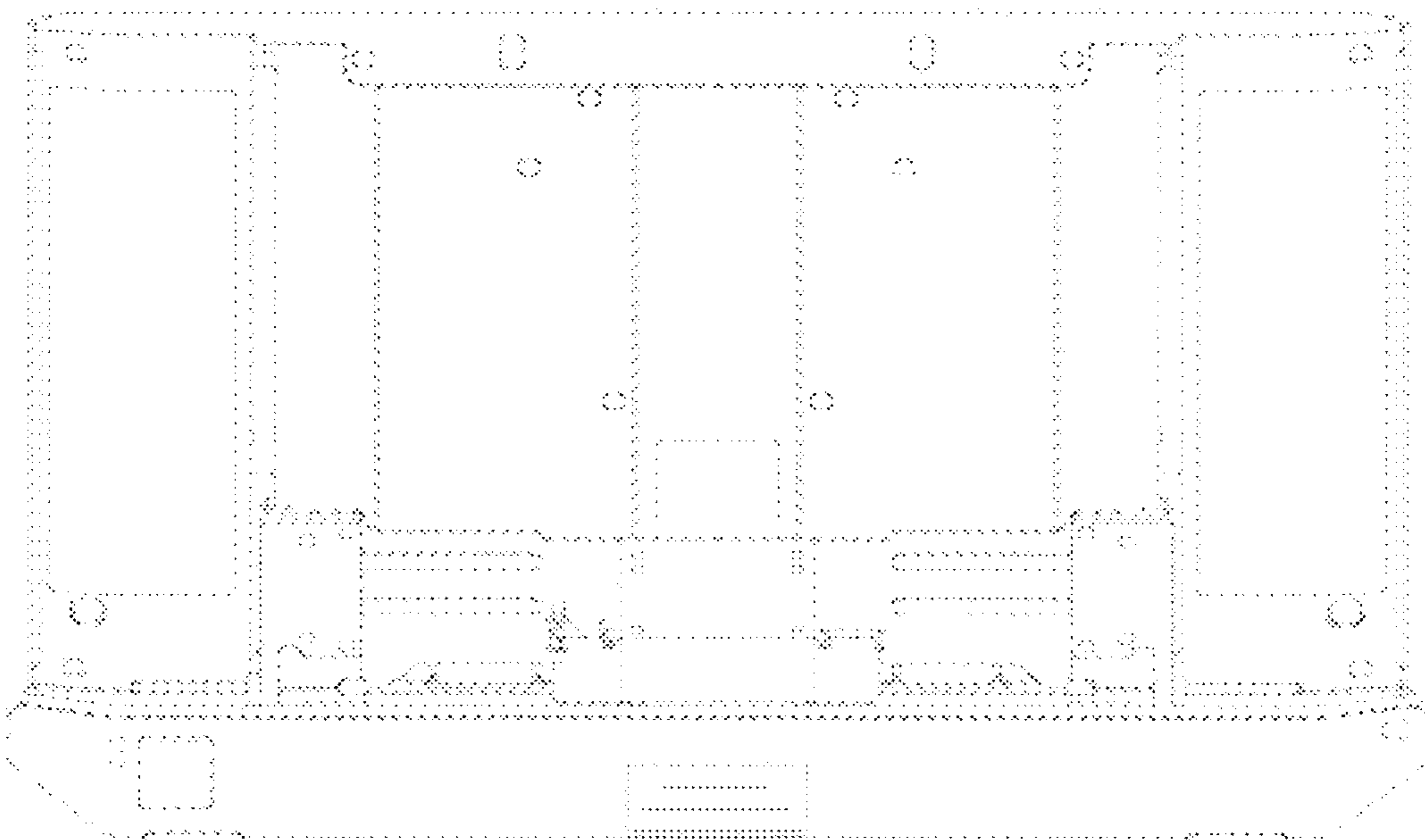
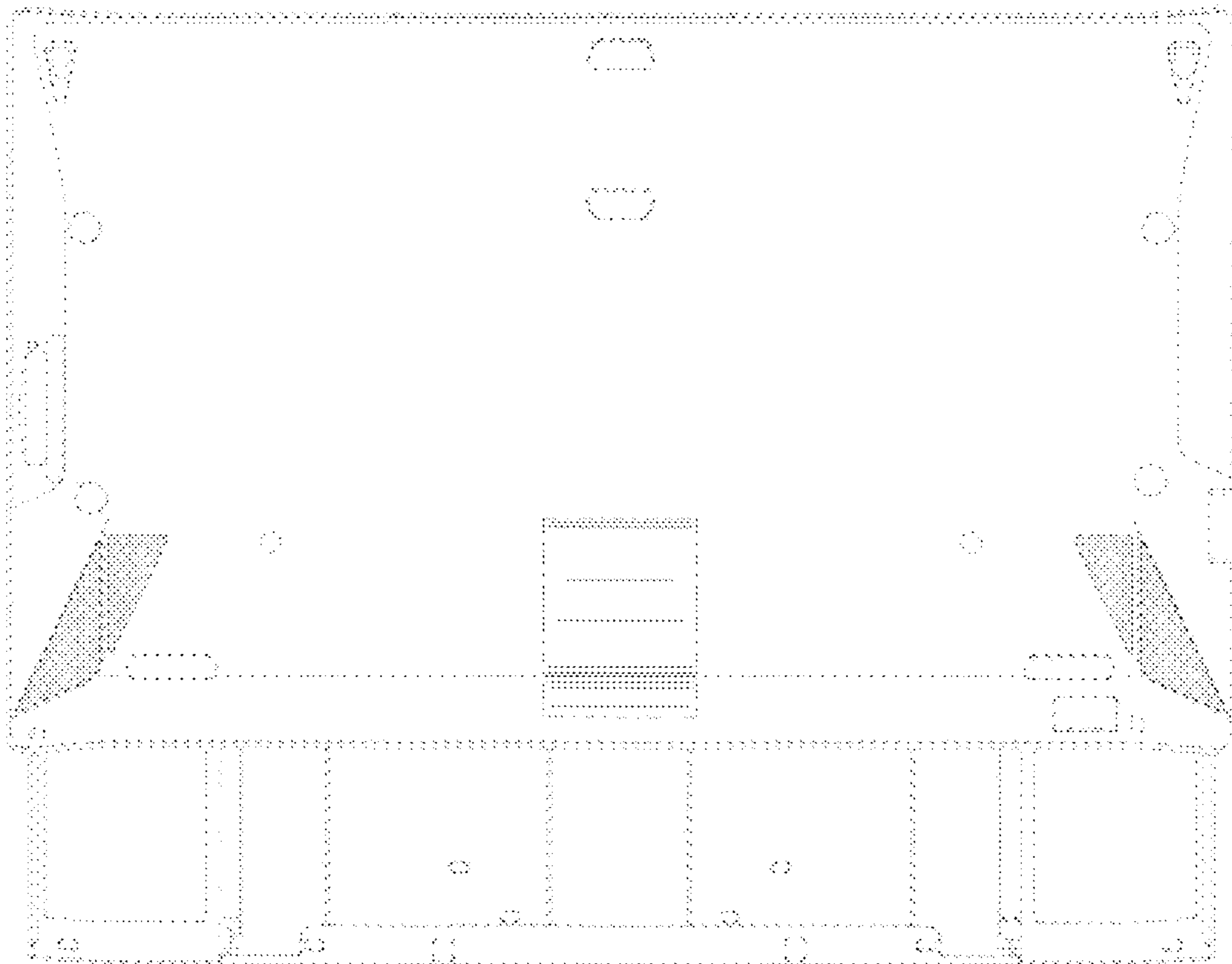


FIG.4



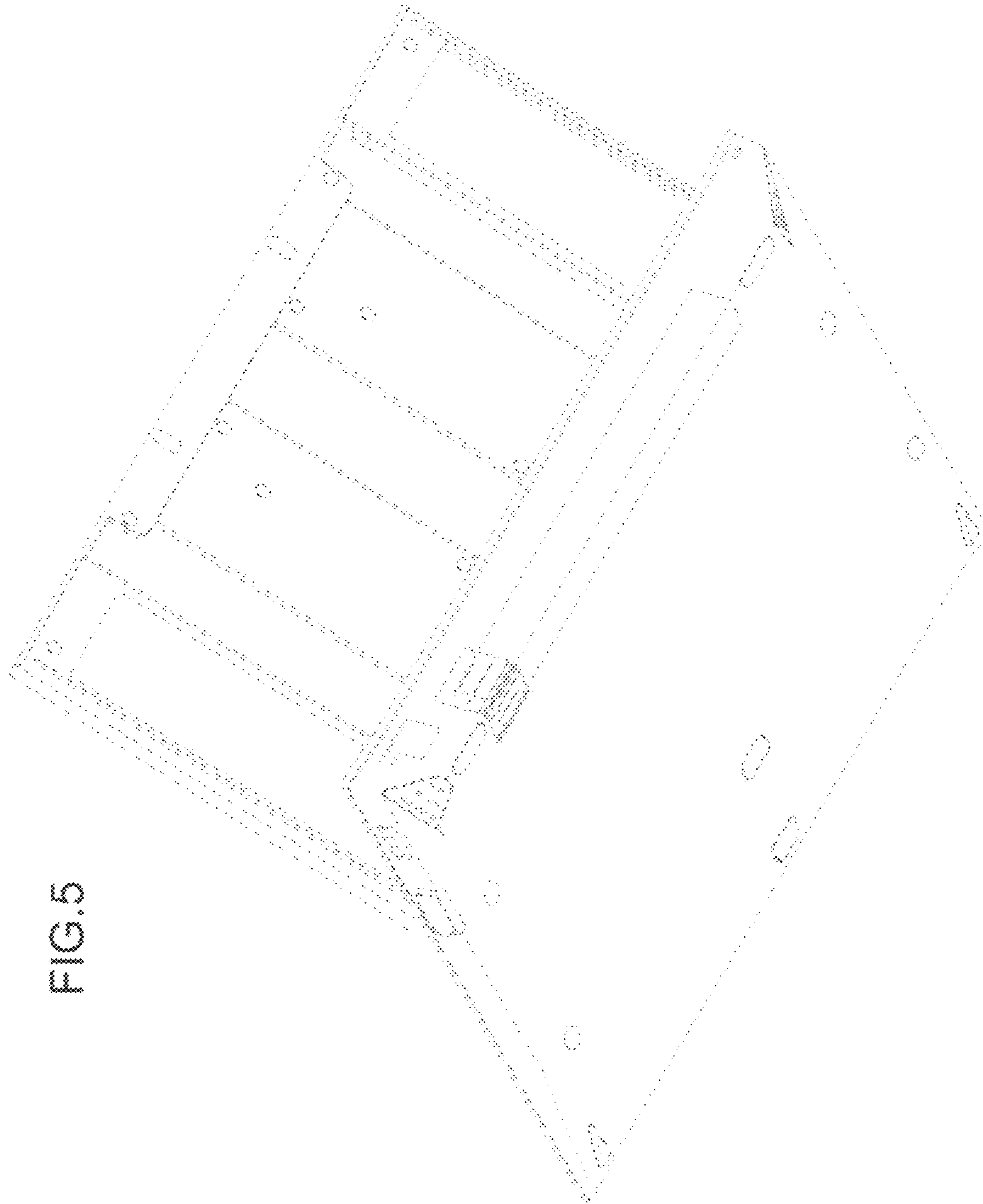


FIG. 5

FIG.6

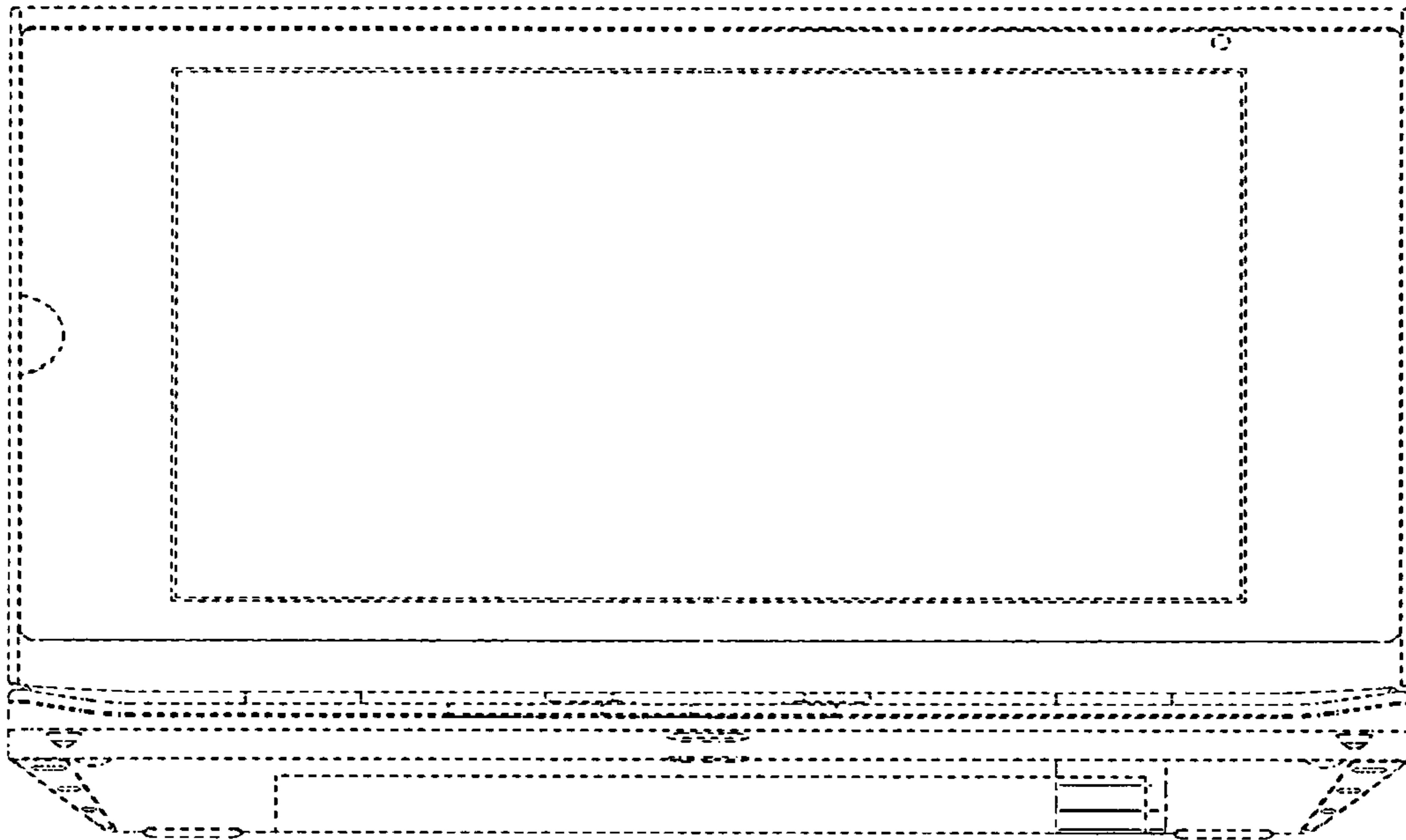


FIG.7

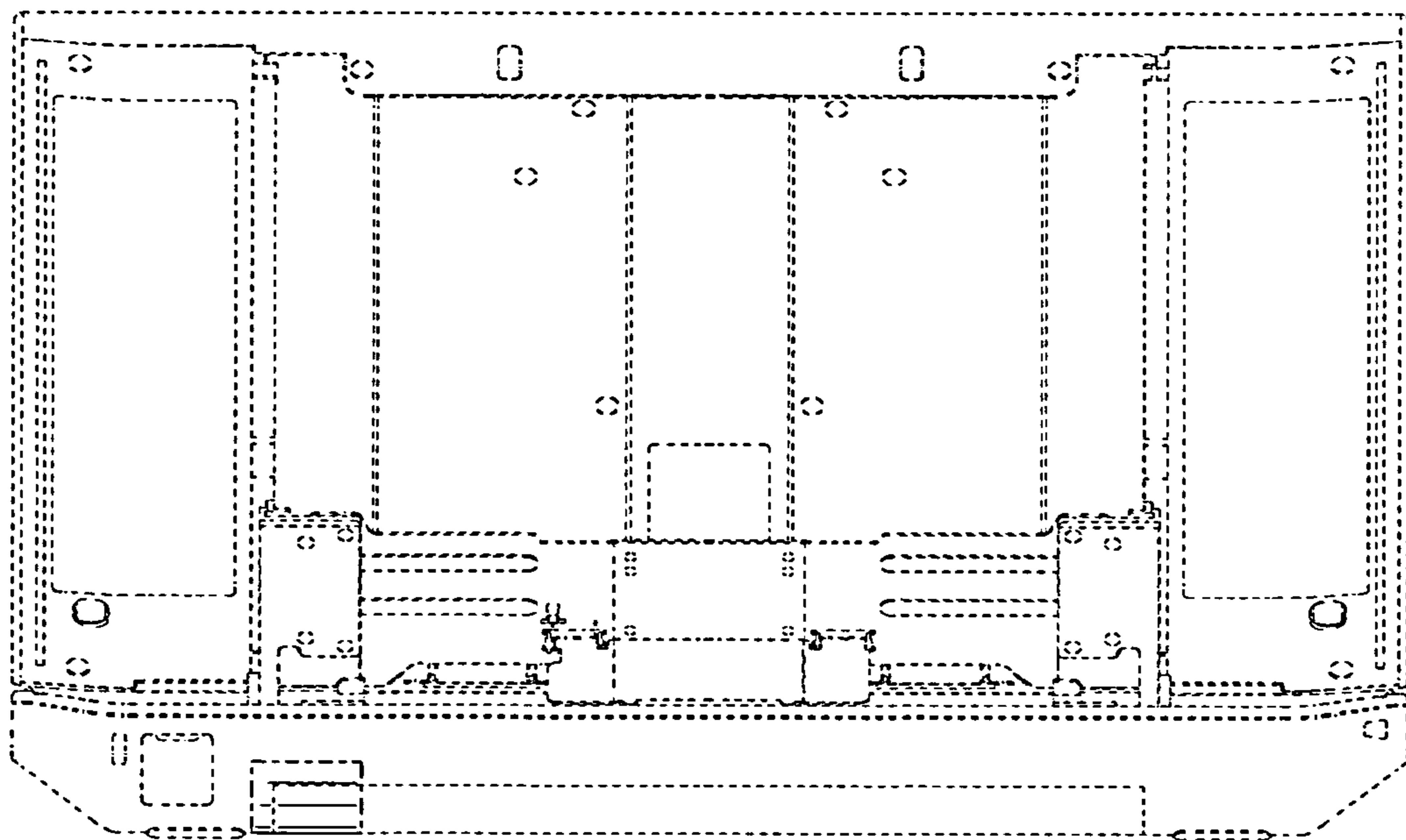
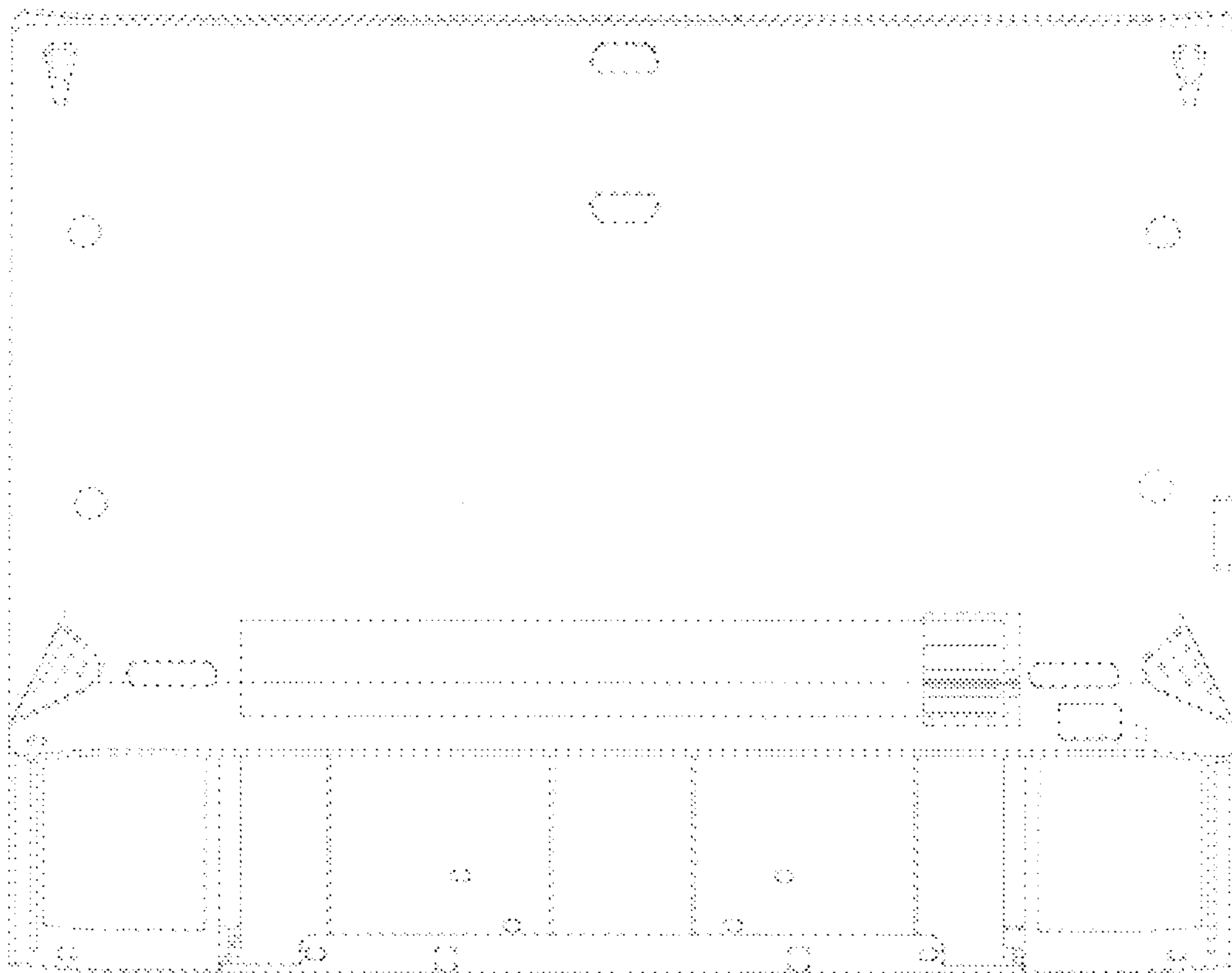


FIG.8



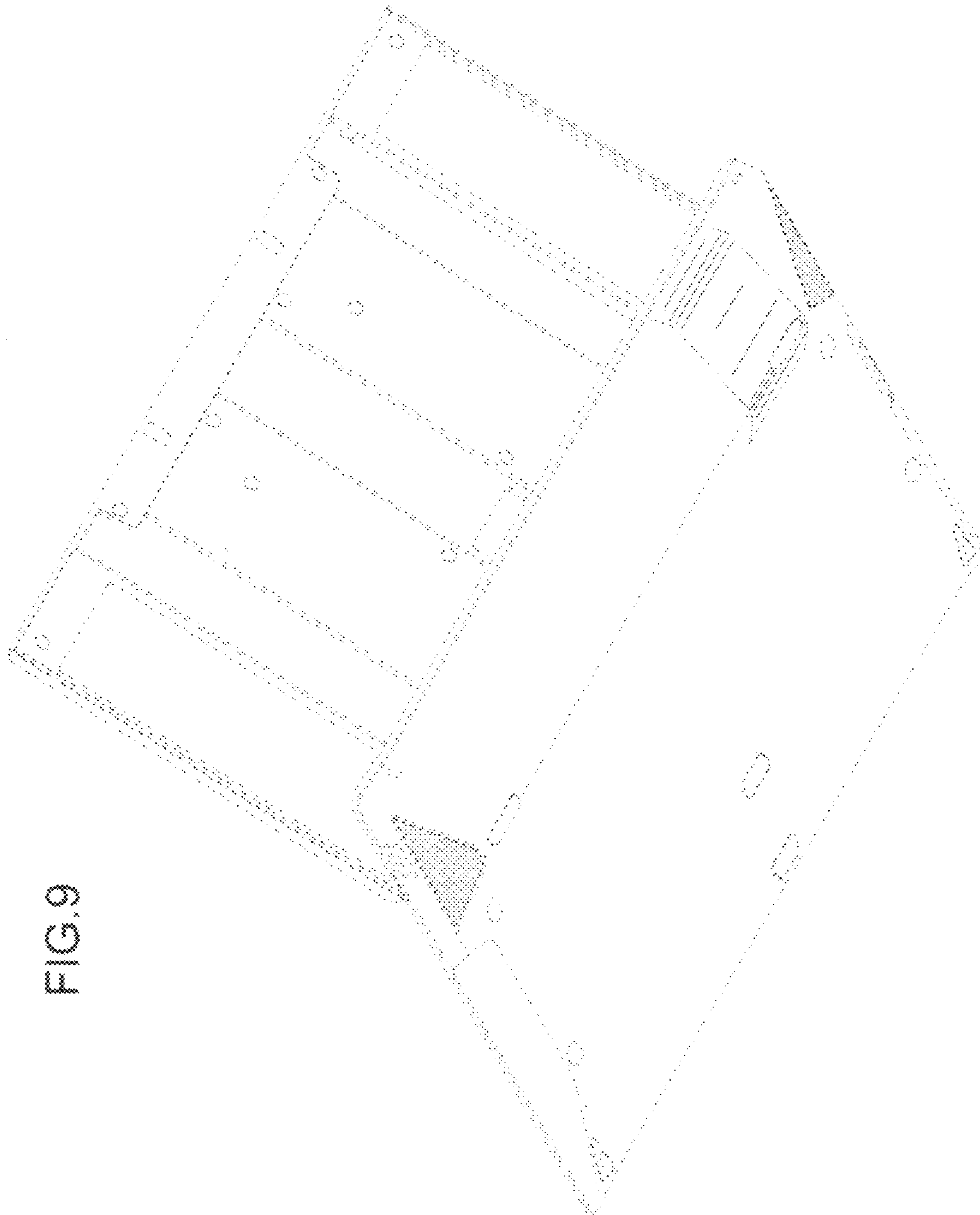


FIG. 9

FIG.10

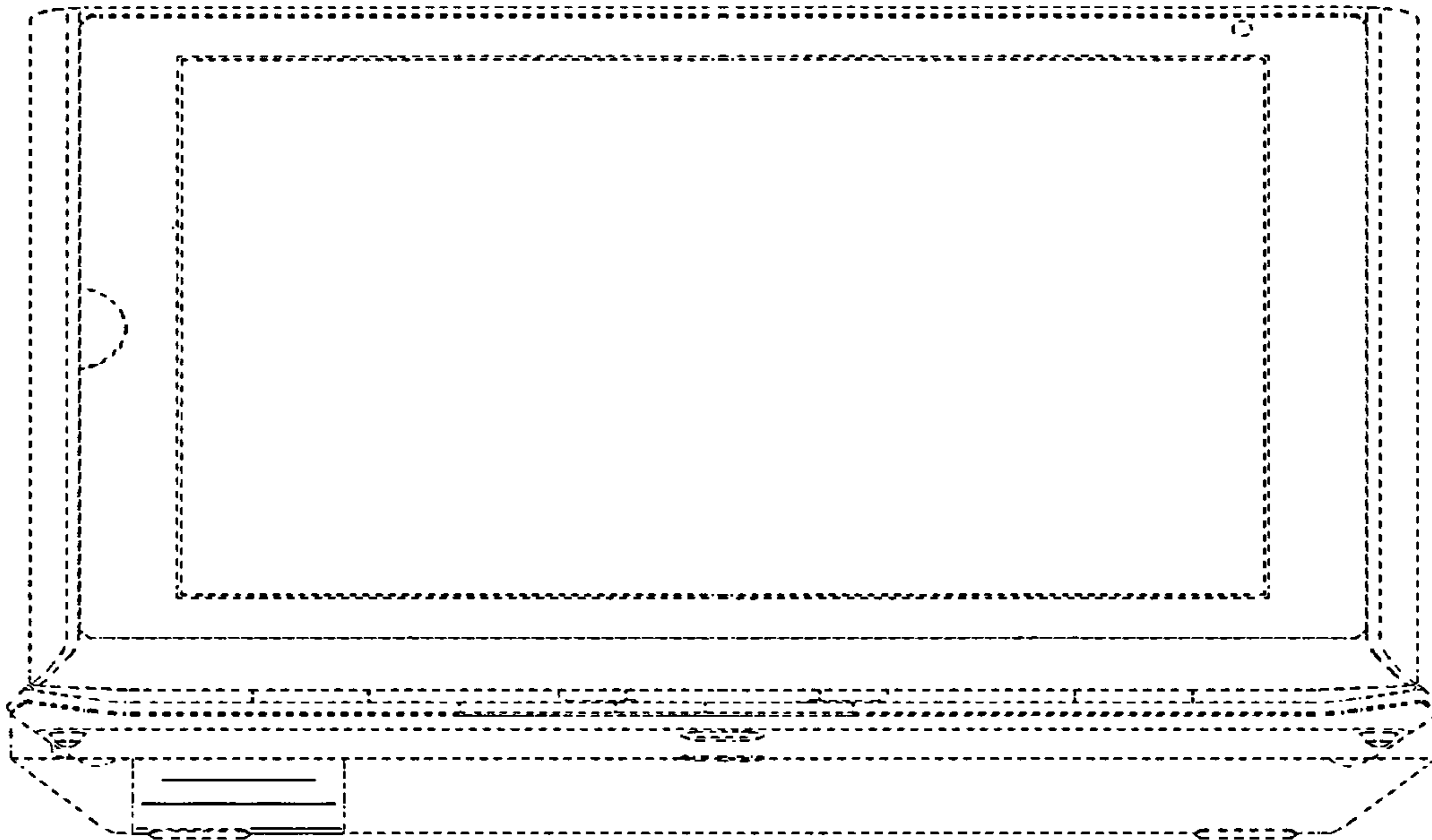


FIG.11

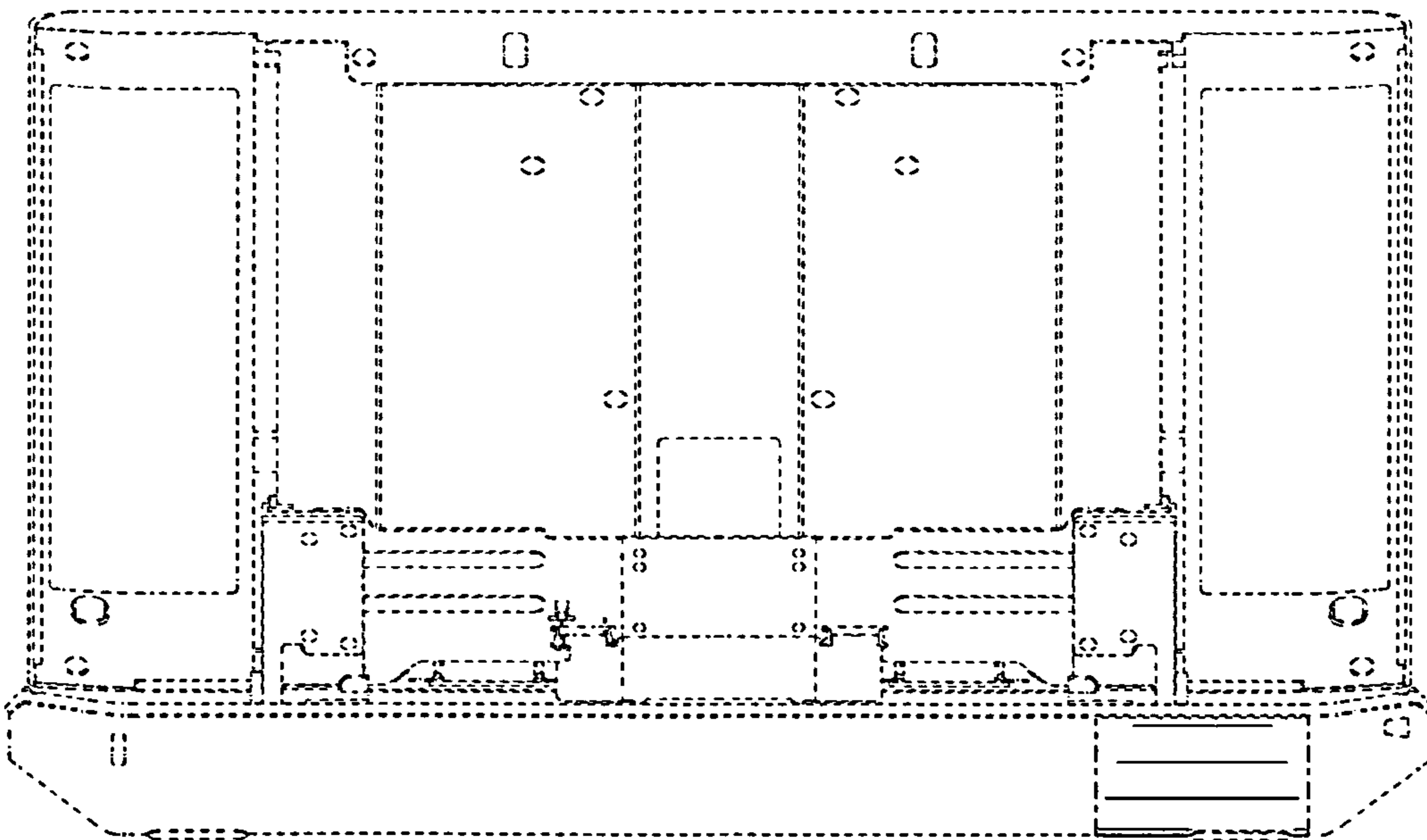


FIG. 12

