



US00D682818S

(12) **United States Design Patent**
Morisawa

(10) **Patent No.:** **US D682,818 S**

(45) **Date of Patent:** **** May 21, 2013**

(54) **COMPUTER**

(75) Inventor: **Yujin Morisawa**, Tokyo (JP)

(73) Assignee: **Sony Corporation**, Tokyo (JP)

(**) Term: **14 Years**

(21) Appl. No.: **29/371,726**

(22) Filed: **Jul. 29, 2011**

(30) **Foreign Application Priority Data**

Jan. 30, 2011	(CN)	2011 3 0019759
Mar. 3, 2011	(JP)	D2011-004808
Mar. 3, 2011	(JP)	D2011-004809
Mar. 3, 2011	(JP)	D2011-004810
Mar. 3, 2011	(JP)	D2011-004811

(51) **LOC (9) Cl.** **14-02**

(52) **U.S. Cl.**
USPC **D14/315**

(58) **Field of Classification Search** D14/315-327;
D18/1, 2, 7, 11; 235/145 A, 145 R; 341/22,
341/23; 345/104, 156, 168, 169, 173; 361/679.08,
361/679.09, 679.11, 679.26, 679.27
See application file for complete search history.

(56) **References Cited**

U.S. PATENT DOCUMENTS

D408,794 S	4/1999	Ogasawara	
D425,874 S *	5/2000	Tanimura D14/318
D482,029 S	11/2003	Yoneda	
D516,552 S	3/2006	Iseki	
D517,063 S *	3/2006	Nakajima et al. D14/318
D523,429 S *	6/2006	Lin D14/318
D524,306 S *	7/2006	Yun et al. D14/315

(Continued)

OTHER PUBLICATIONS

Web page, <http://www.sony.jp/CorporateCruise/Press/201107/11-0705/>, 7 pages, Sony Marketing (Japan) Inc., Jul. 5, 2011.

Primary Examiner — Freda S Nunn

(74) *Attorney, Agent, or Firm* — Rader, Fishman & Grauer PLLC

(57) **CLAIM**

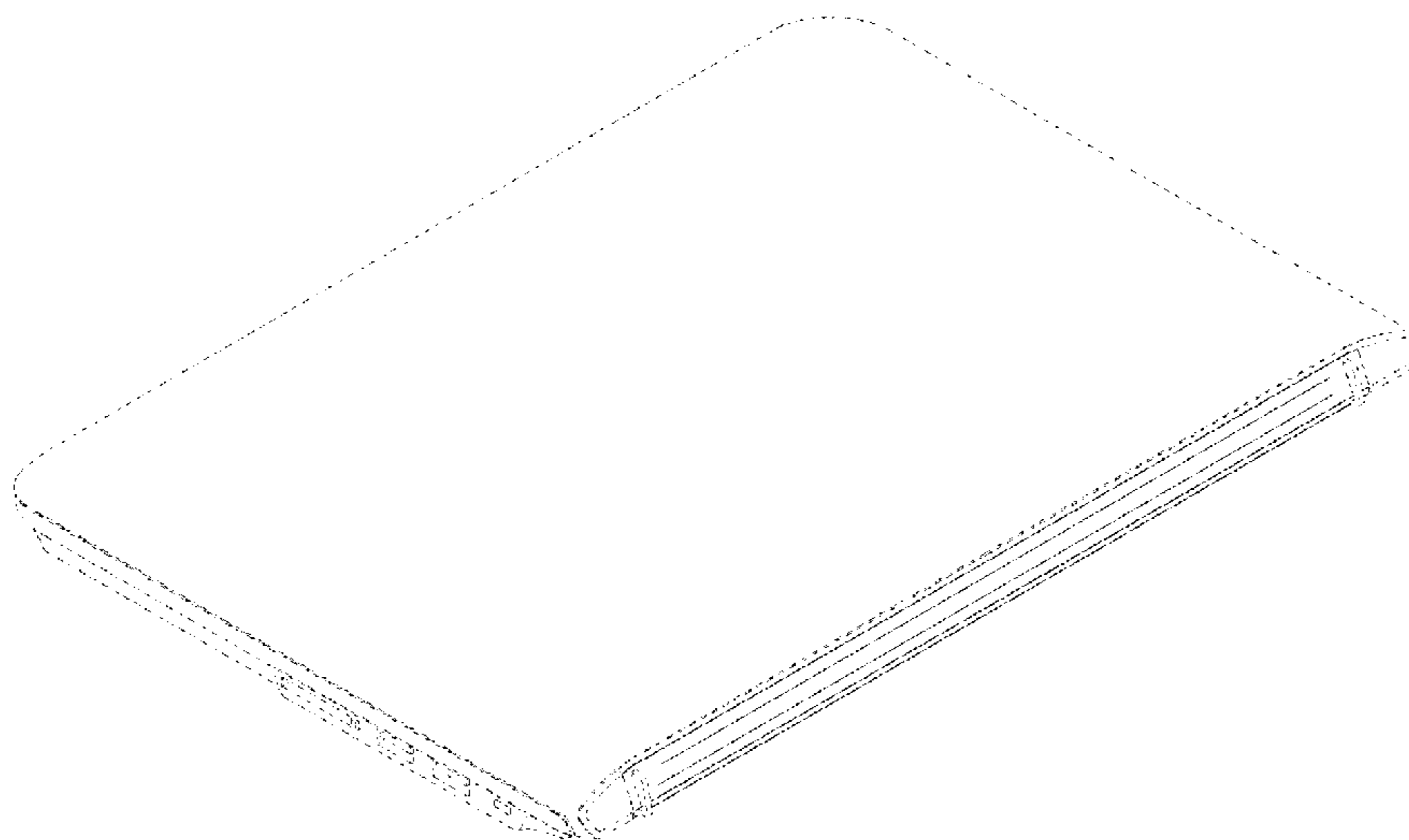
The ornamental design for a computer, as shown and described.

DESCRIPTION

FIG. 1 is a front, top, right perspective view of a first embodiment of a computer showing my new design;
 FIG. 2 is a rear, top, right perspective view thereof;
 FIG. 3 is a rear elevational view thereof;
 FIG. 4 is a left side elevational view thereof;
 FIG. 5 is a right side elevational view thereof;
 FIG. 6 is a top plan view thereof; and
 FIG. 7 is a bottom plan view thereof.
 FIG. 8 is a front elevational view of the embodiment of FIG. 1 wherein the screen is in an open position;
 FIG. 9 is a rear elevational view thereof;
 FIG. 10 is a left side elevational view thereof;
 FIG. 11 is a right side elevational view thereof; and
 FIG. 12 is a bottom plan view thereof.
 FIG. 13 is a front, top, right perspective view of a second embodiment of a computer showing my new design;
 FIG. 14 is a rear, top, right perspective view thereof;
 FIG. 15 is a rear elevational view thereof;
 FIG. 16 is a left side elevational view thereof;
 FIG. 17 is a right side elevational view thereof;
 FIG. 18 is a top plan view thereof; and
 FIG. 19 is a bottom plan view thereof.
 FIG. 20 is a front elevational view of the embodiment of FIG. 13 wherein the screen is in an open position;
 FIG. 21 is a left side elevational view thereof;
 FIG. 22 is a right side elevational view thereof; and
 FIG. 23 is a bottom plan view thereof.

Portions in broken lines are for illustrative purposes only and form no part of the claimed design. Dot-dash lines define the boundaries of, but not included in, the claimed design.

1 Claim, 18 Drawing Sheets



US D682,818 S

Page 2

U.S. PATENT DOCUMENTS

D526,999 S *	8/2006	Tago	D14/327	D648,333 S *	11/2011	Andre et al.	D14/315
D570,343 S	6/2008	Yamada		2009/0154084 A1 *	6/2009	Goto et al.	361/679.08
D593,084 S	5/2009	Iseki		2010/0259879 A1 *	10/2010	Watanabe	361/679.08

* cited by examiner

FIG. 1

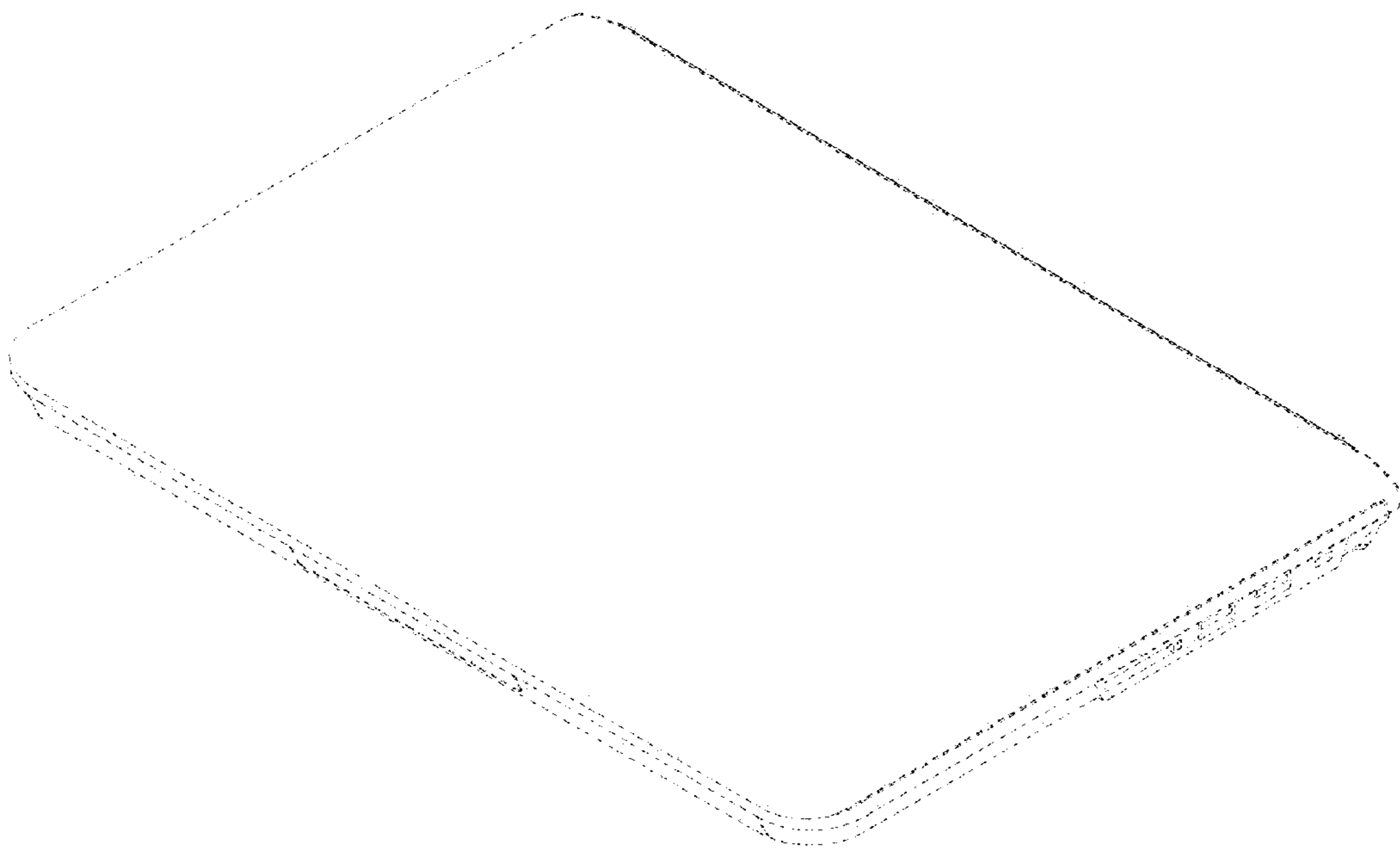


FIG.2

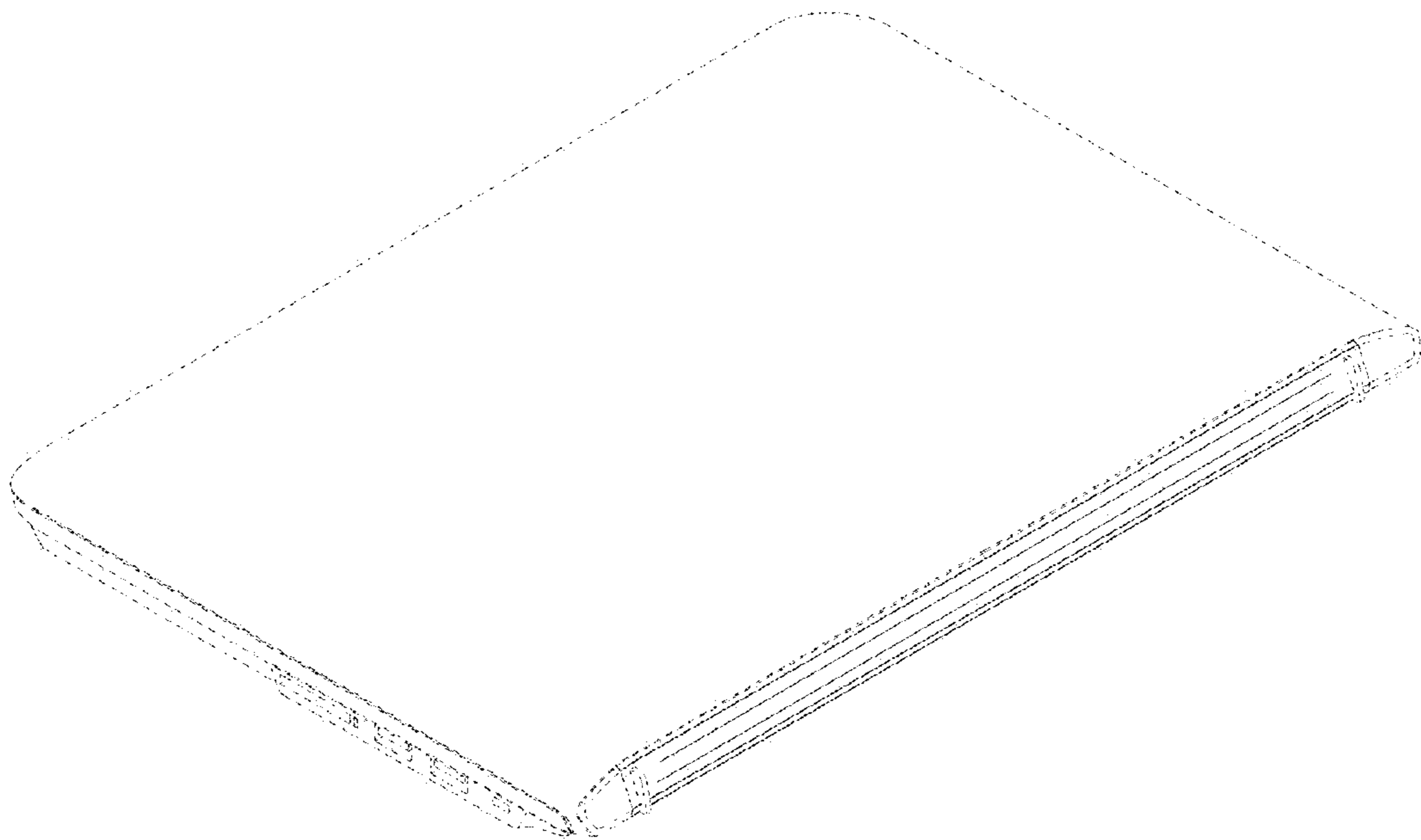


FIG.3

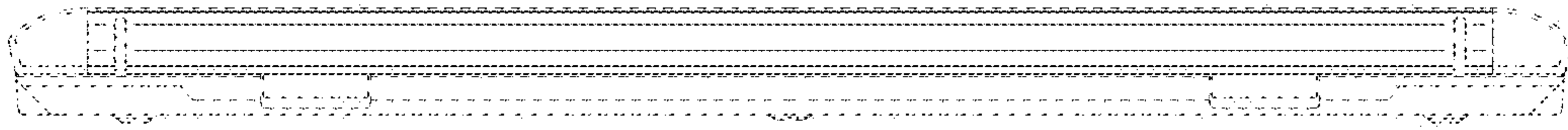


FIG.4

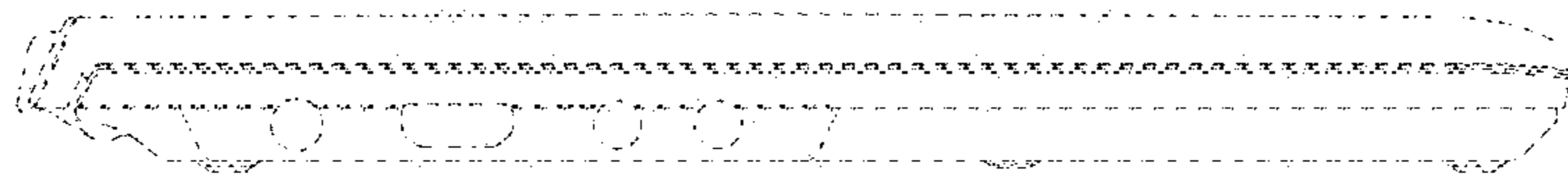


FIG.5

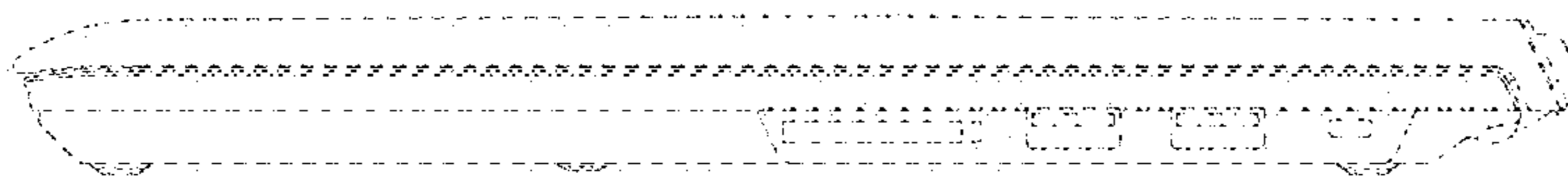


FIG.6



FIG. 7

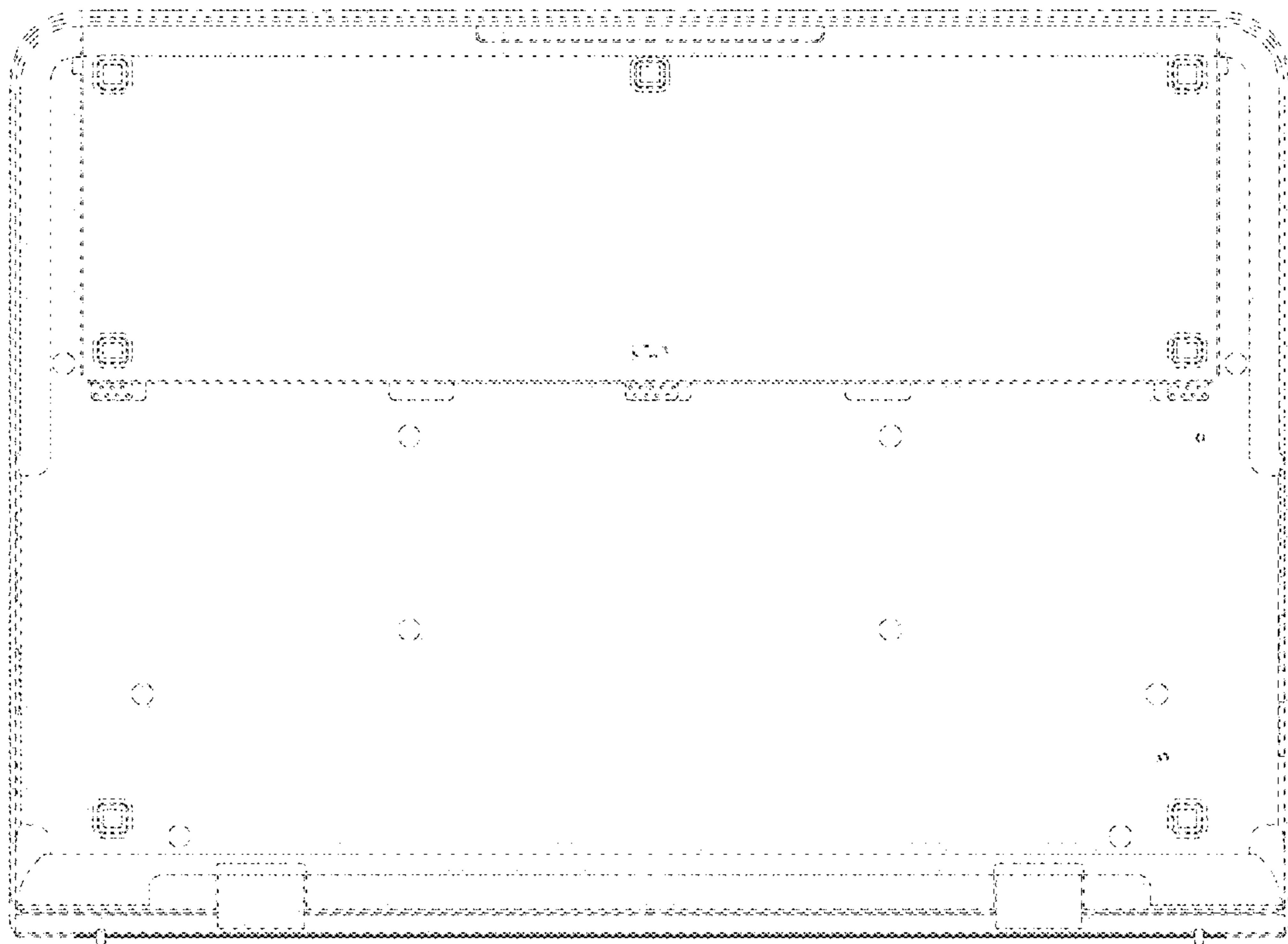


FIG.8

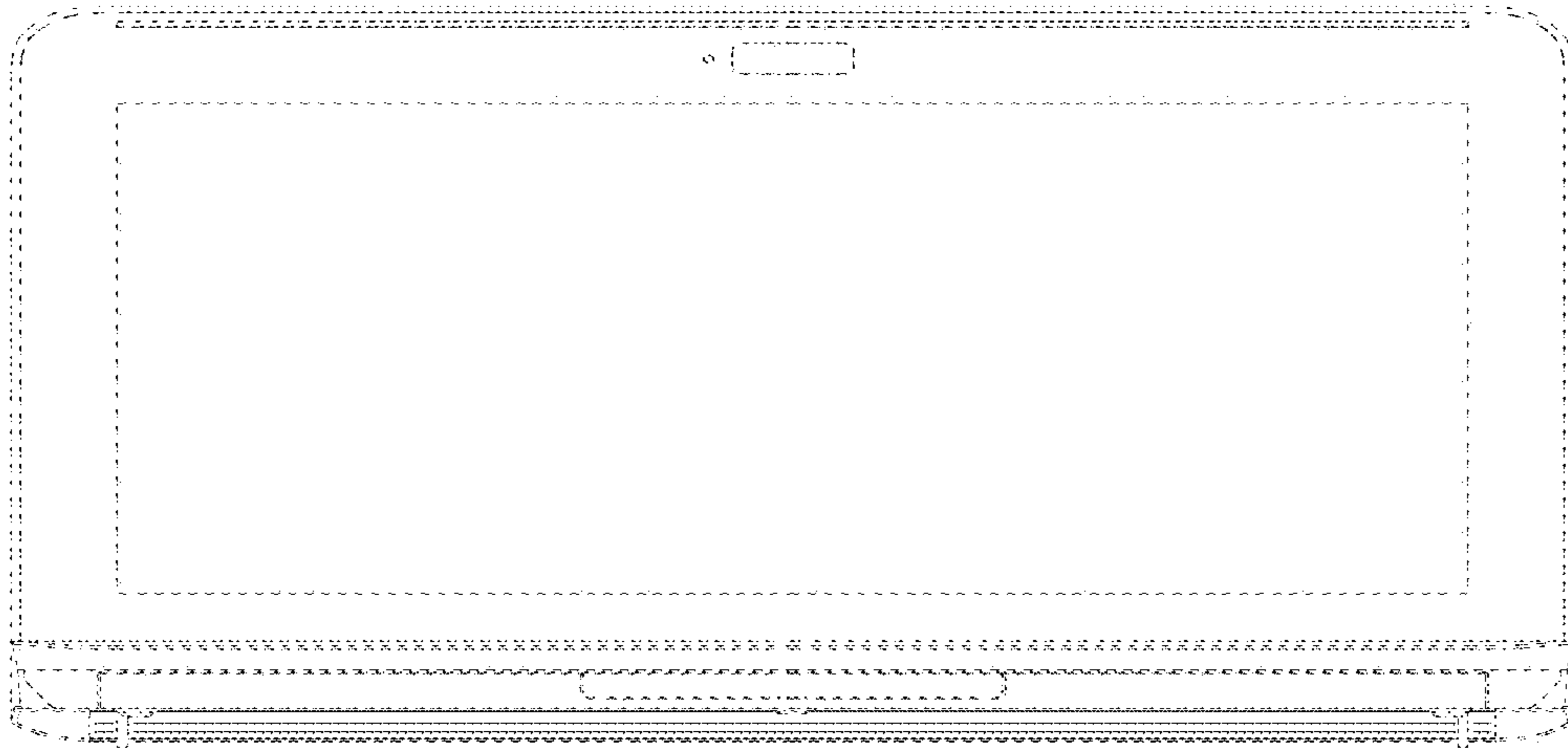


FIG.9



FIG.10

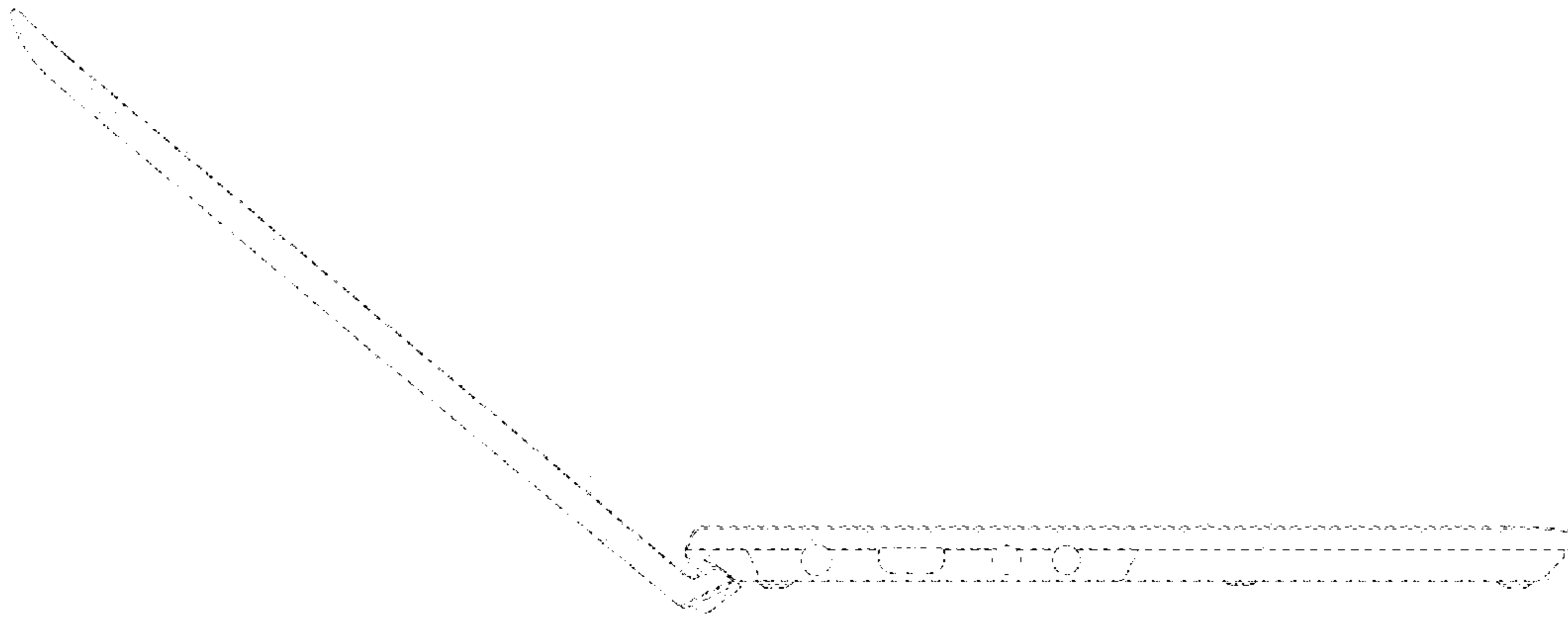


FIG.11

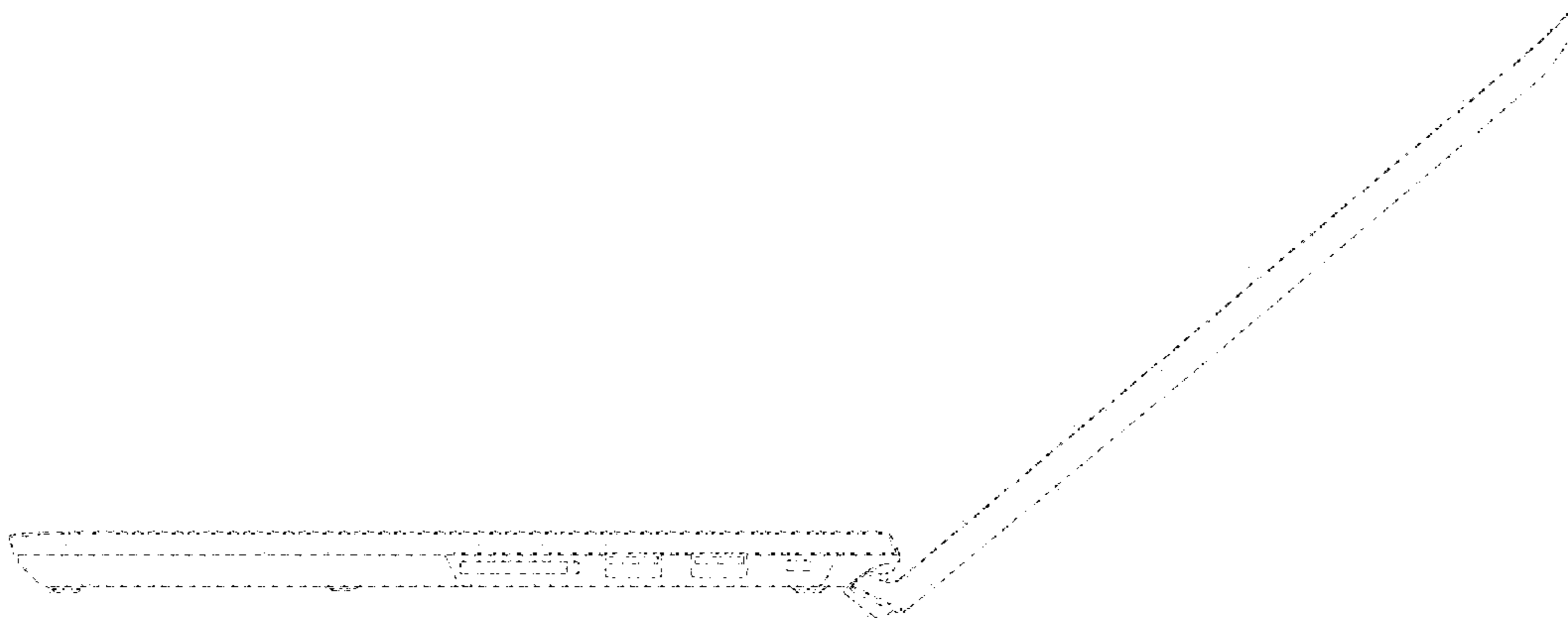


FIG. 12

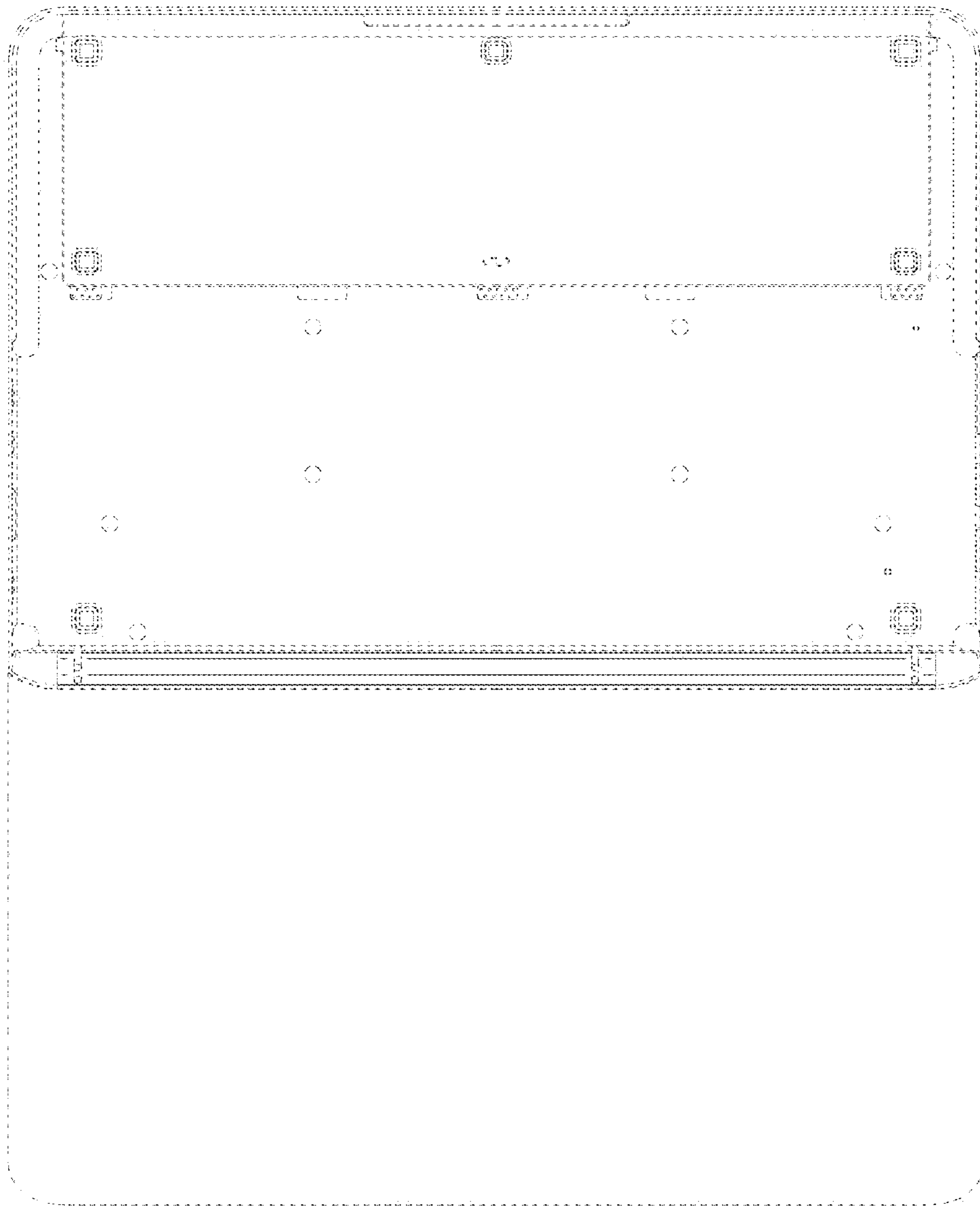


FIG. 13

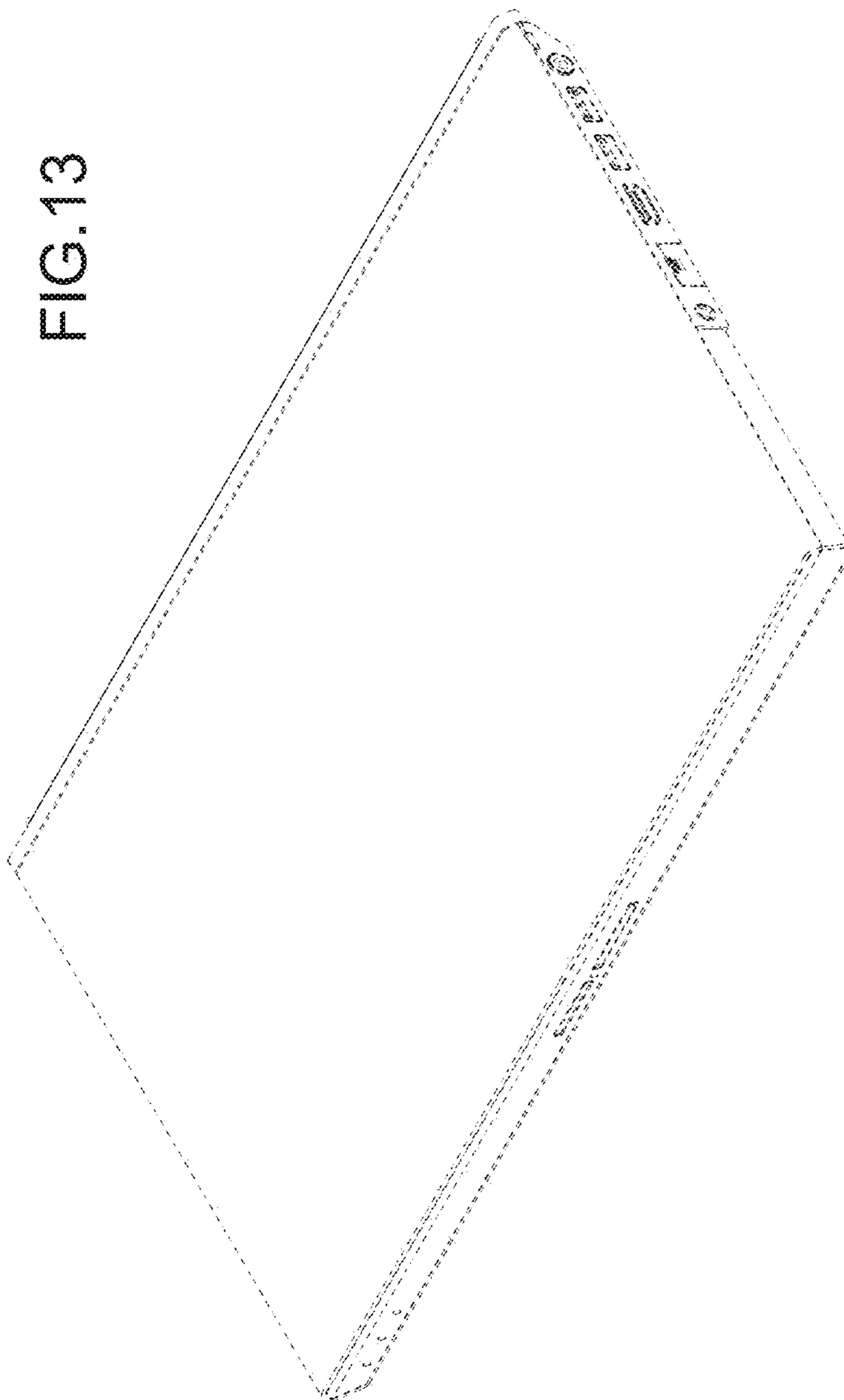


FIG.14

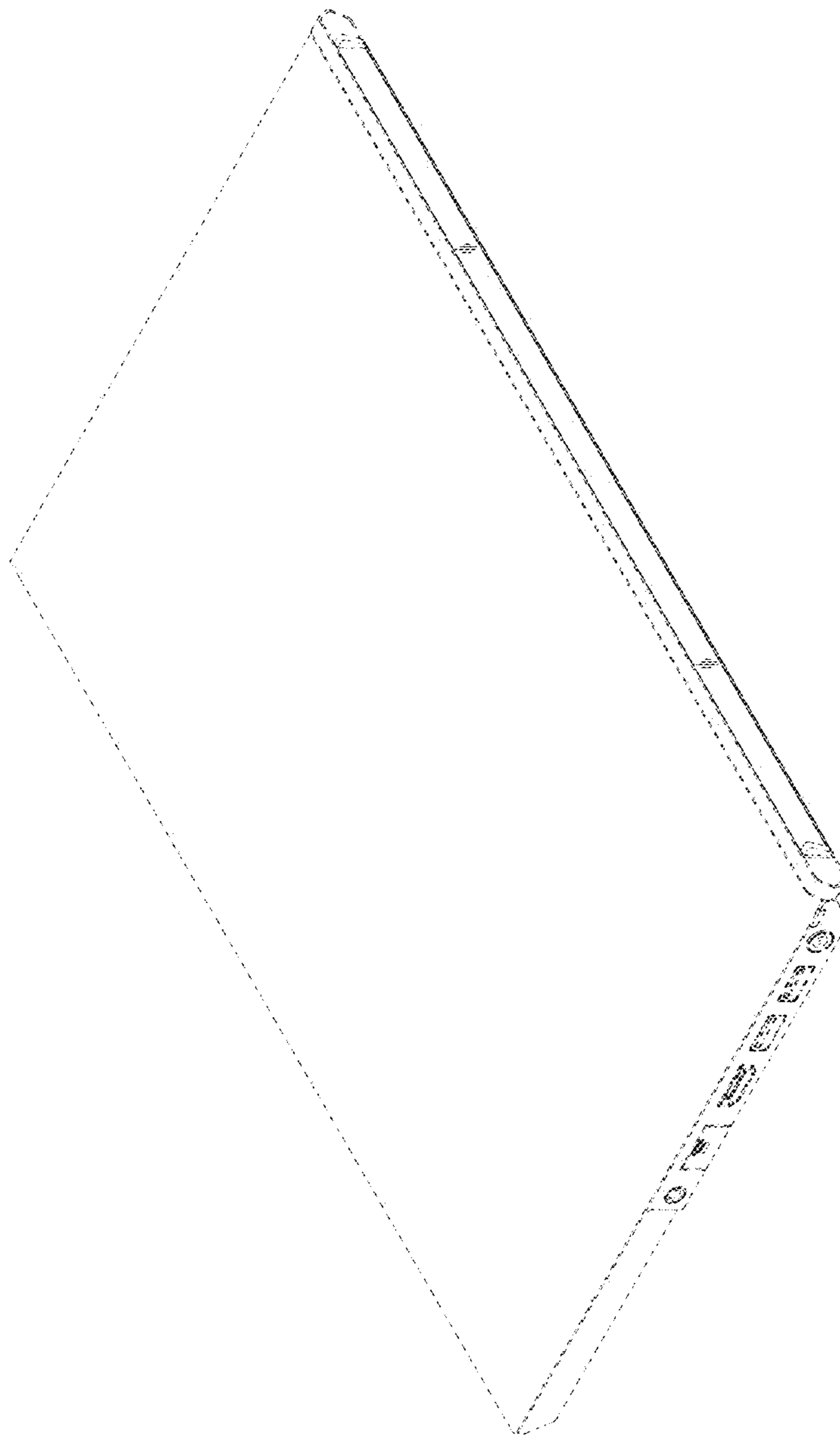


FIG. 15

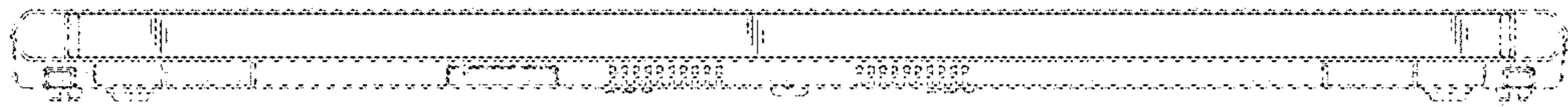


FIG.16

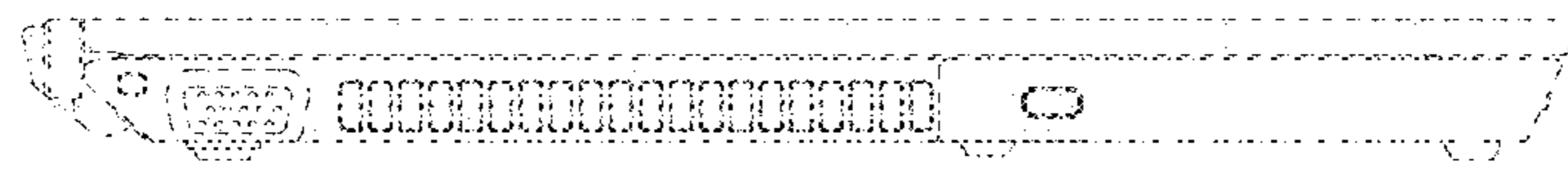


FIG.17

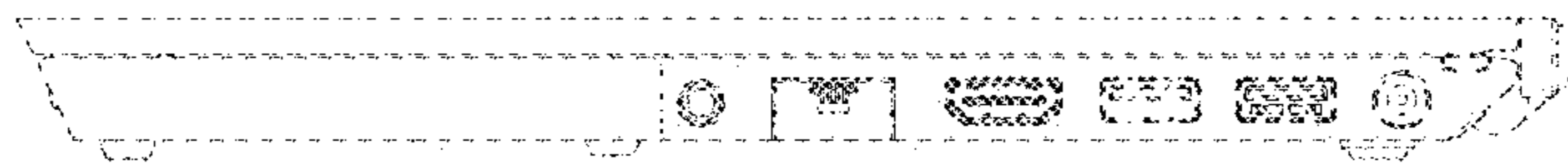


FIG. 18



FIG. 19

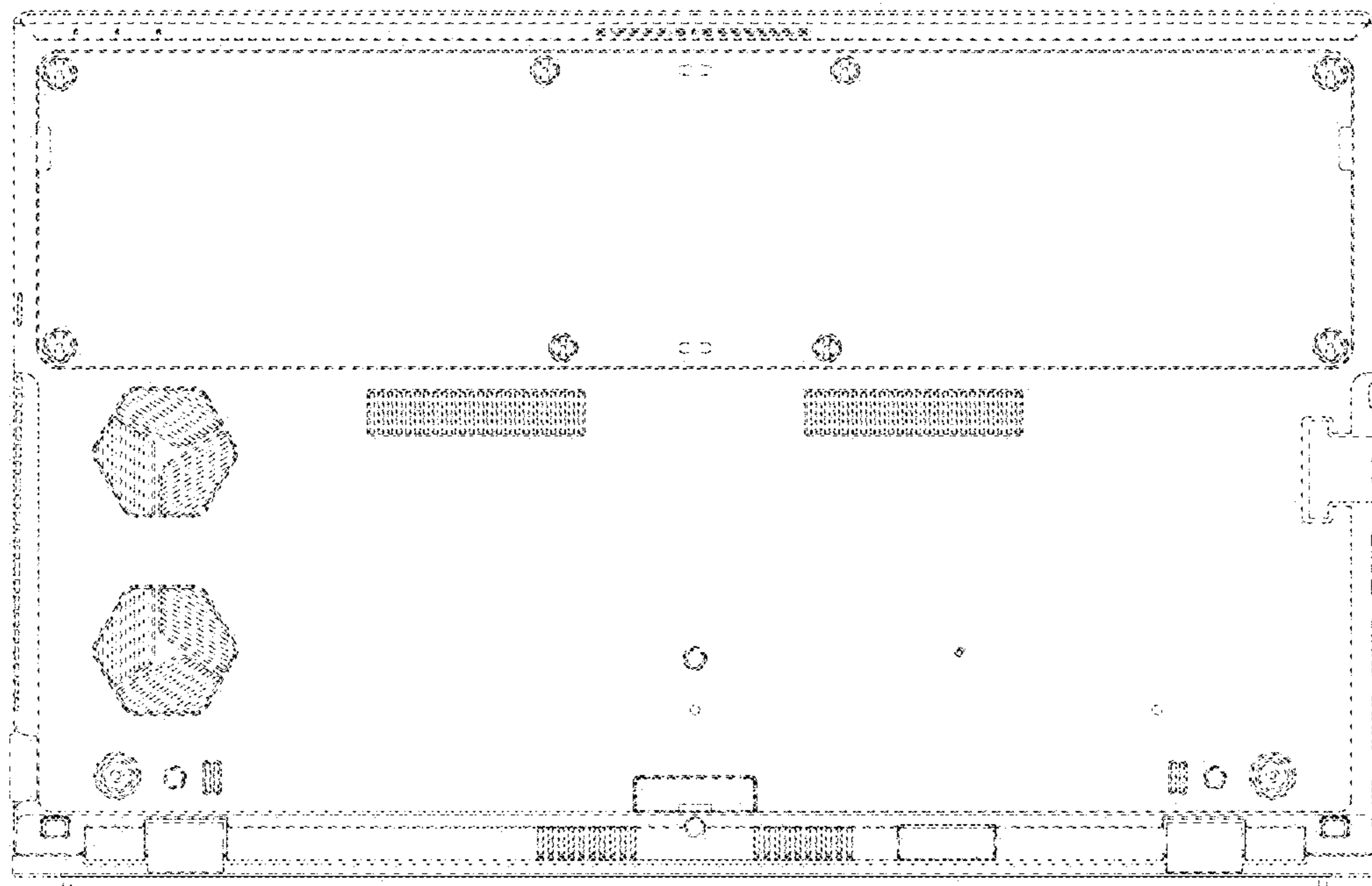


FIG.20

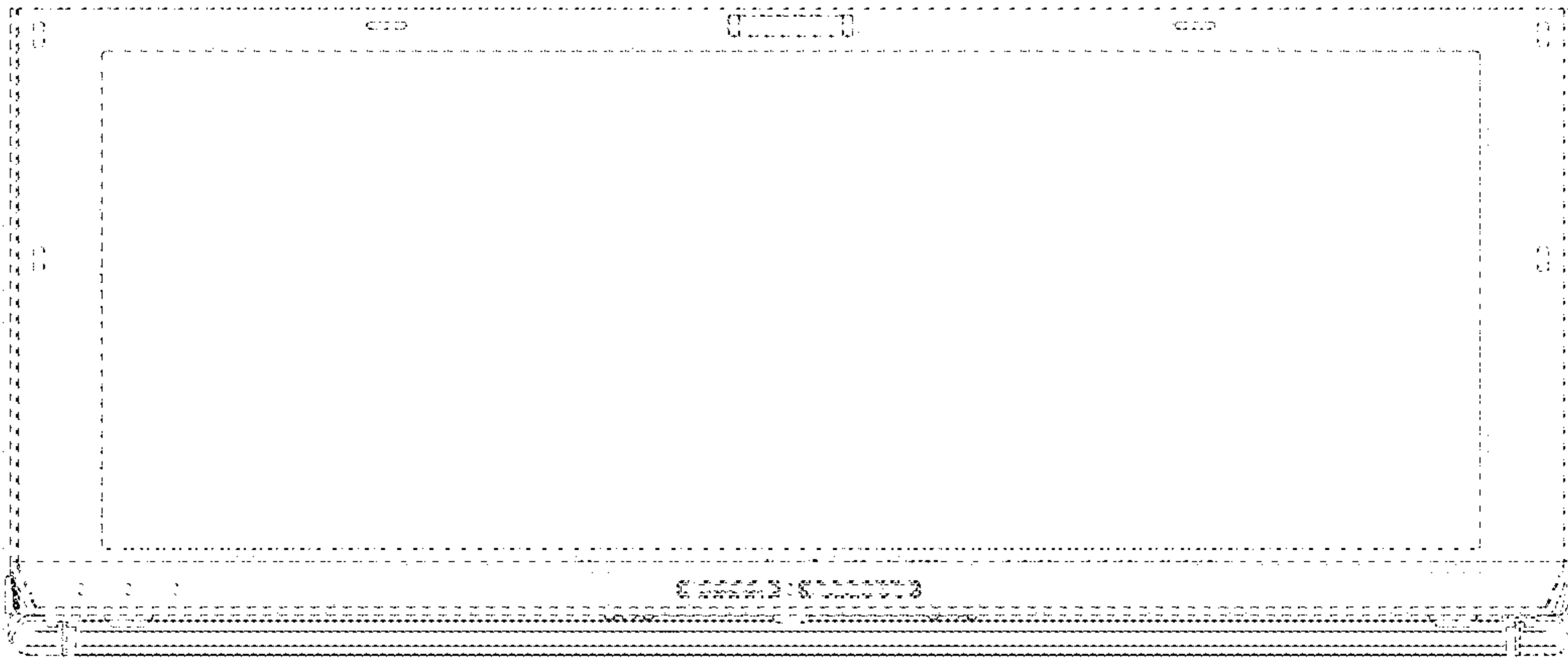


FIG.21

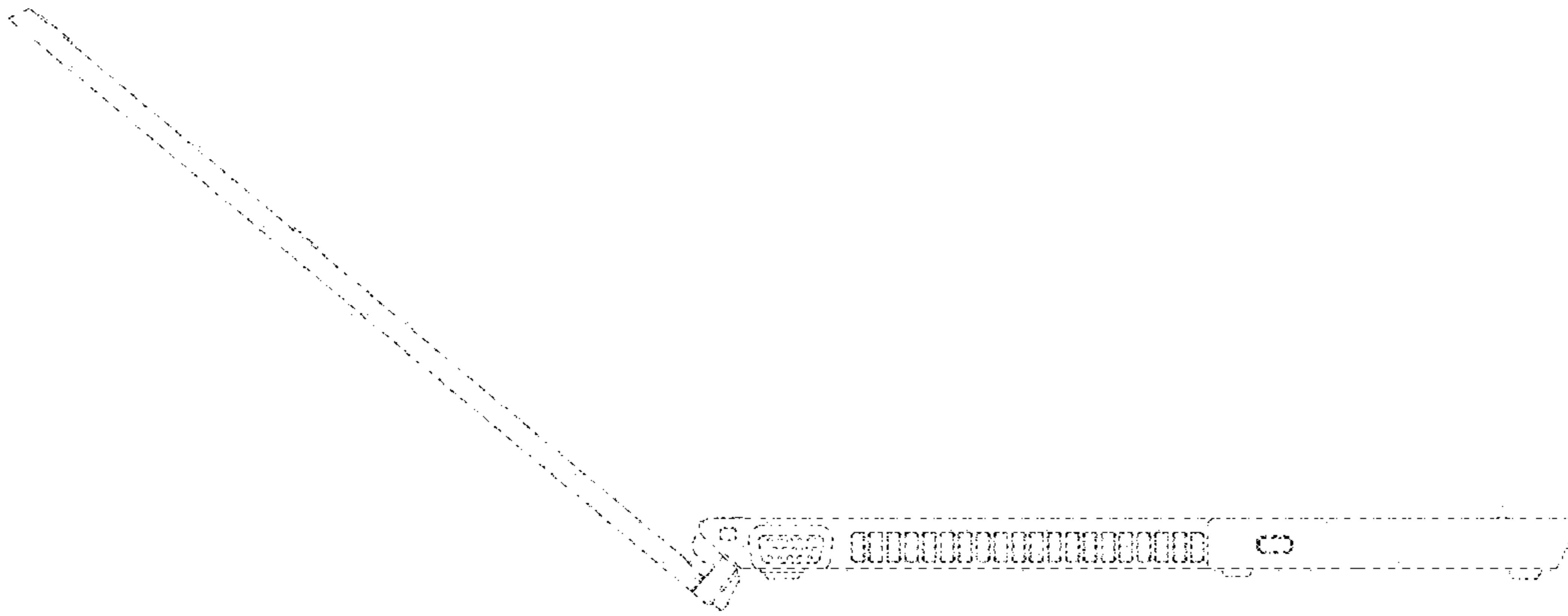


FIG.22

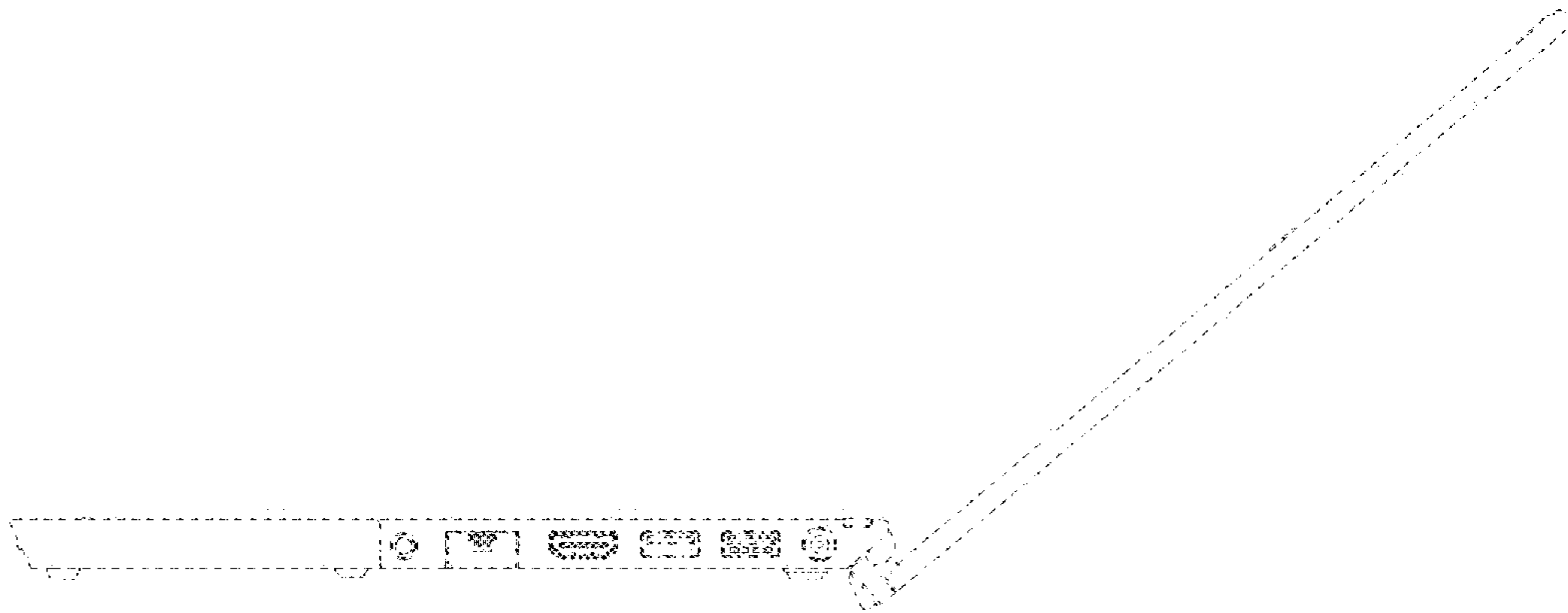


FIG.23

