



US00D682817S

(12) **United States Design Patent**  
**Murchison et al.**

(10) **Patent No.:** **US D682,817 S**  
(45) **Date of Patent:** **\*\* May 21, 2013**

- (54) **ELECTRONIC DEVICE SHELL**
- (75) Inventors: **Ian James Murchison**, Toronto (CA);  
**Anders Fahrenedorff**, Ottawa (CA);  
**Rohan Siddhartha Thakar**, Waterloo (CA)
- (73) Assignee: **Research In Motion Limited**, Waterloo, Ontario (CA)
- (\*\*) Term: **14 Years**
- (21) Appl. No.: **29/414,131**
- (22) Filed: **Feb. 24, 2012**
- (51) **LOC (9) Cl.** ..... **14-03**
- (52) **U.S. Cl.**  
USPC ..... **D14/250**
- (58) **Field of Classification Search** ..... D14/250–253,  
D14/440, 203.3–203.7, 217, 496, 248, 238.1,  
D14/240, 447; D3/201, 218, 269, 301, 273,  
D3/303, 103, 247; D13/103, 107–108, 119;  
220/4.02; 248/309.1, 371, 176.3, 668; 361/679.56,  
361/679.3, 679.25, 816; 379/426, 433.11,  
379/455; 455/575.1, 575.8; 206/305, 320;  
345/173  
See application file for complete search history.

D640,679	S	*	6/2011	Willes et al.	.....	D14/250
D649,539	S	*	11/2011	Hong	.....	D14/250
D654,900	S	*	2/2012	Jung	.....	D14/138 G
D656,929	S	*	4/2012	Hsiung	.....	D14/250
D668,246	S	*	10/2012	Fathollahi	.....	D14/250
D670,279	S	*	11/2012	Veltz et al.	.....	D14/250
D671,933	S	*	12/2012	Rodgers	.....	D14/250
D674,798	S	*	1/2013	Kim et al.	.....	D14/440
8,342,325	B2	*	1/2013	Rayner	.....	206/320
8,398,078	B2	*	1/2013	Hung	.....	455/575.8
2011/0290520	A1	*	12/2011	Nishimura	.....	174/50.5
2012/0274195	A1	*	11/2012	Thompson et al.	.....	312/237

**OTHER PUBLICATIONS**

Blackberry Z10 Transform Hard Shell Case, posted on Jan. 26, 2013, <URL:http://www.berryfication.com/exclusive-blackberry-z10-cases-images-by-research-in-motion-revealed/>, retrieved from internet on Feb. 2, 2013.\*  
Folding Standing Blue Leather Case for Samsung Galaxy Siii, <URL:http://riphone.en.made-in-china.com/productimage/ISyQYRMdZmcb-2f0j00RKetCMmIIzcv/China-Folding-Standing-Blue-Leather-Case-for-Samsung-Galaxy-S-Iii-Gt-I9300.html>, retrieved from internet on Feb. 2, 2013.\*

\* cited by examiner

*Primary Examiner* — Carla Jobe Wright

(57) **CLAIM**

We claim the ornamental design for an electronic device shell, as shown and described.

**DESCRIPTION**

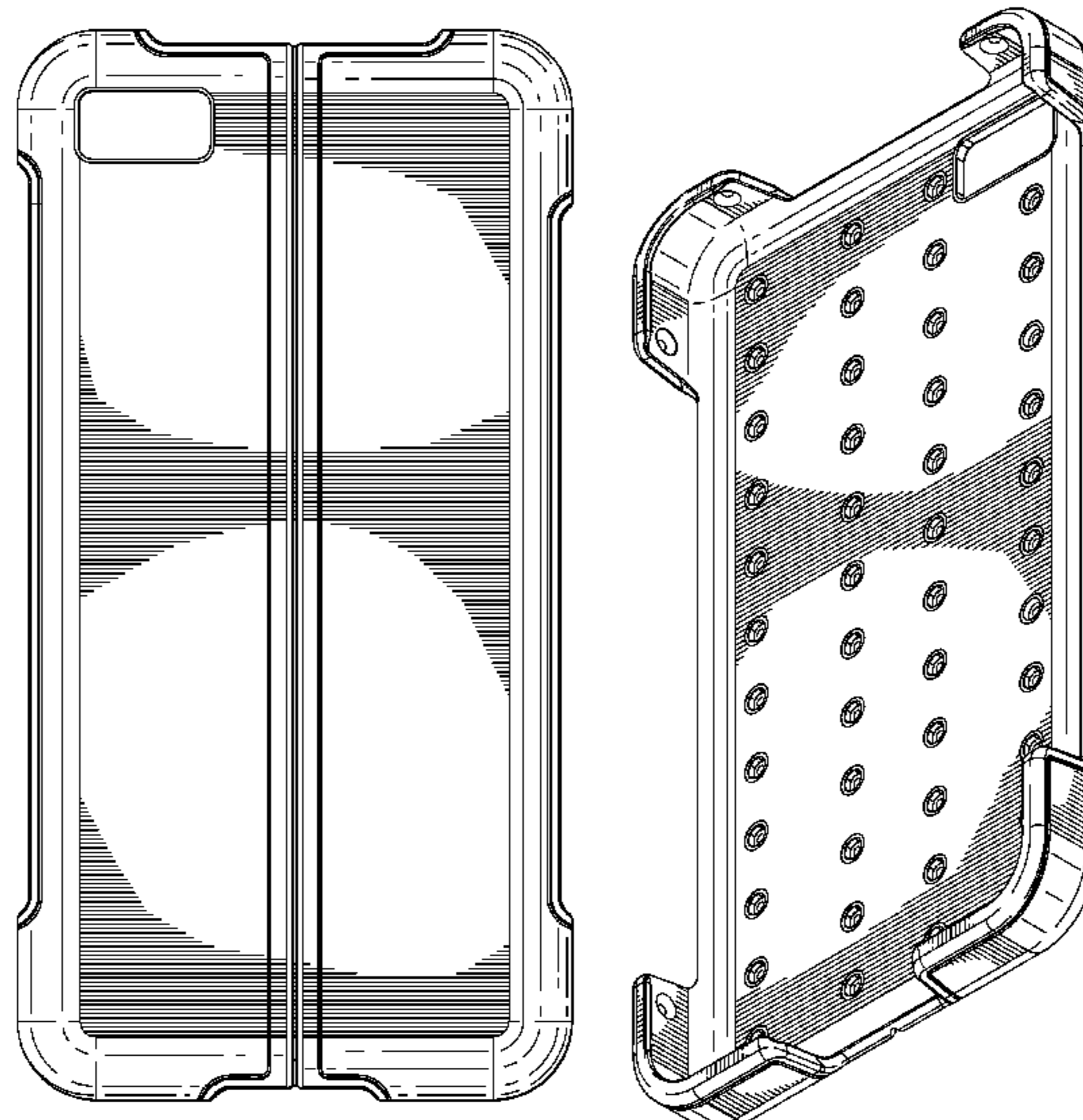
FIG. 1 is a back perspective view of an electronic device shell; FIG. 2 is a back elevational view of the electronic device shell; FIG. 3 is a front elevational view thereof; FIG. 4 is a right elevational view thereof; FIG. 5 is a left elevational view thereof; FIG. 6 is a top plan view thereof; FIG. 7 is a bottom plan view thereof; and, FIG. 8 is a front perspective view thereof.

**1 Claim, 6 Drawing Sheets**

(56) **References Cited**

**U.S. PATENT DOCUMENTS**

D260,568	S	*	9/1981	Cherry	.....	D3/314
5,034,856	A	*	7/1991	Cook et al.	.....	361/816
D332,664	S	*	1/1993	Sincock	.....	D24/227
D438,536	S	*	3/2001	Willison et al.	.....	D14/253
D525,986	S	*	8/2006	Kim	.....	D14/203.3
D527,017	S	*	8/2006	Kim	.....	D14/203.6
D571,757	S	*	6/2008	Kesler et al.	.....	D14/137
D575,801	S	*	8/2008	Kusano et al.	.....	D14/496
D594,002	S	*	6/2009	Kettula	.....	D14/240
D600,907	S	*	9/2009	Boyd et al.	.....	D3/218
D621,393	S	*	8/2010	Panahi et al.	.....	D14/250
7,938,260	B2	*	5/2011	Lin	.....	206/320



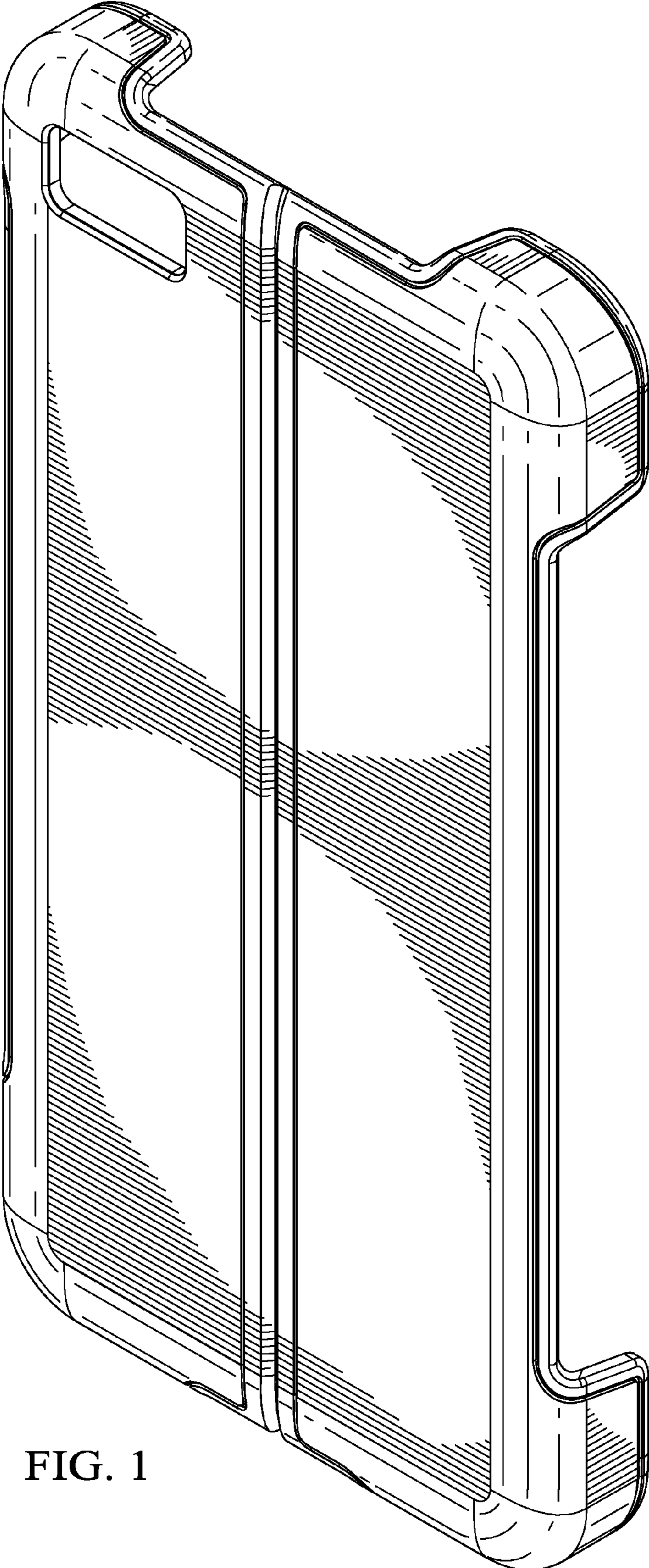


FIG. 1

FIG. 2

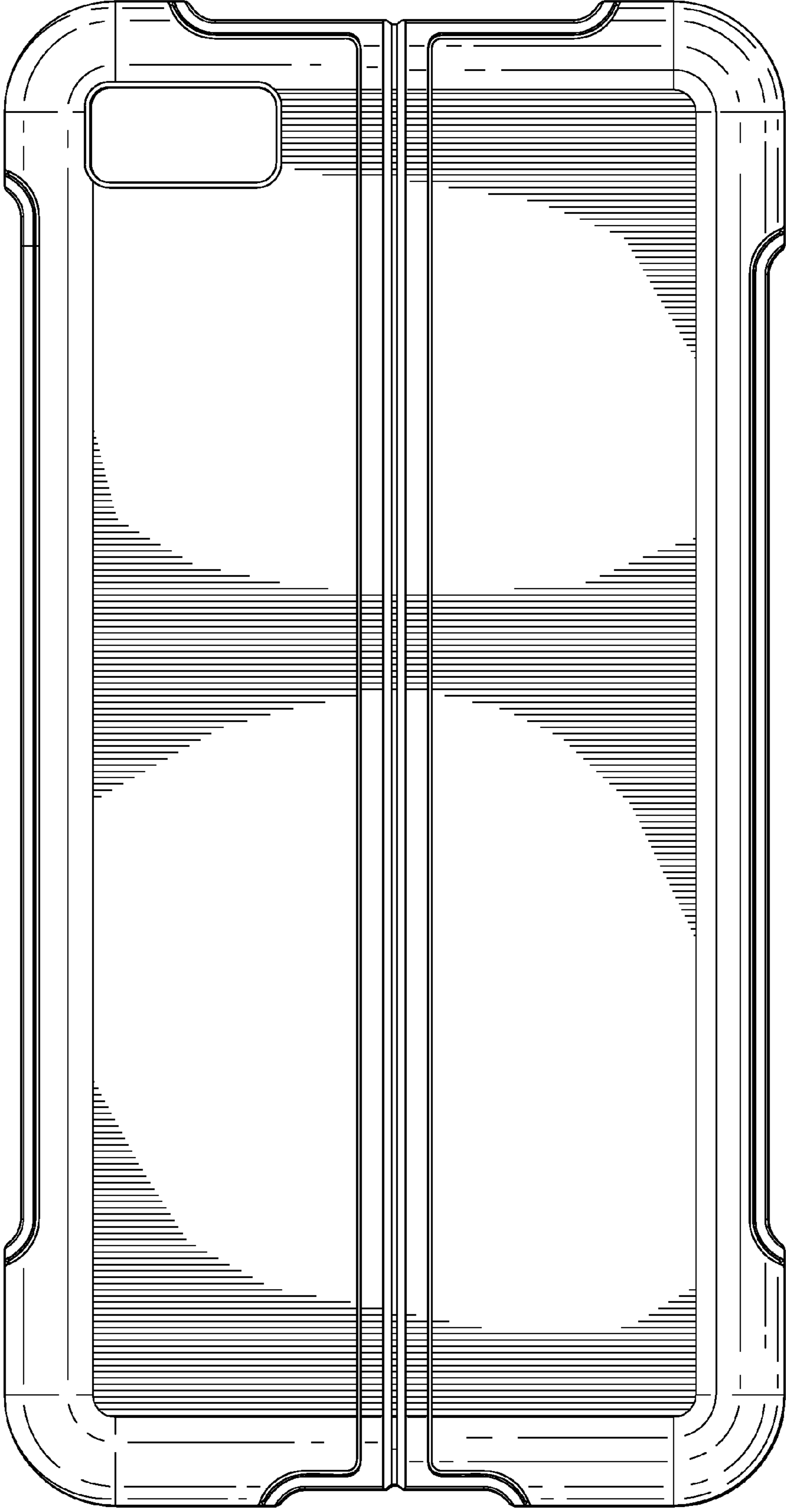


FIG. 3

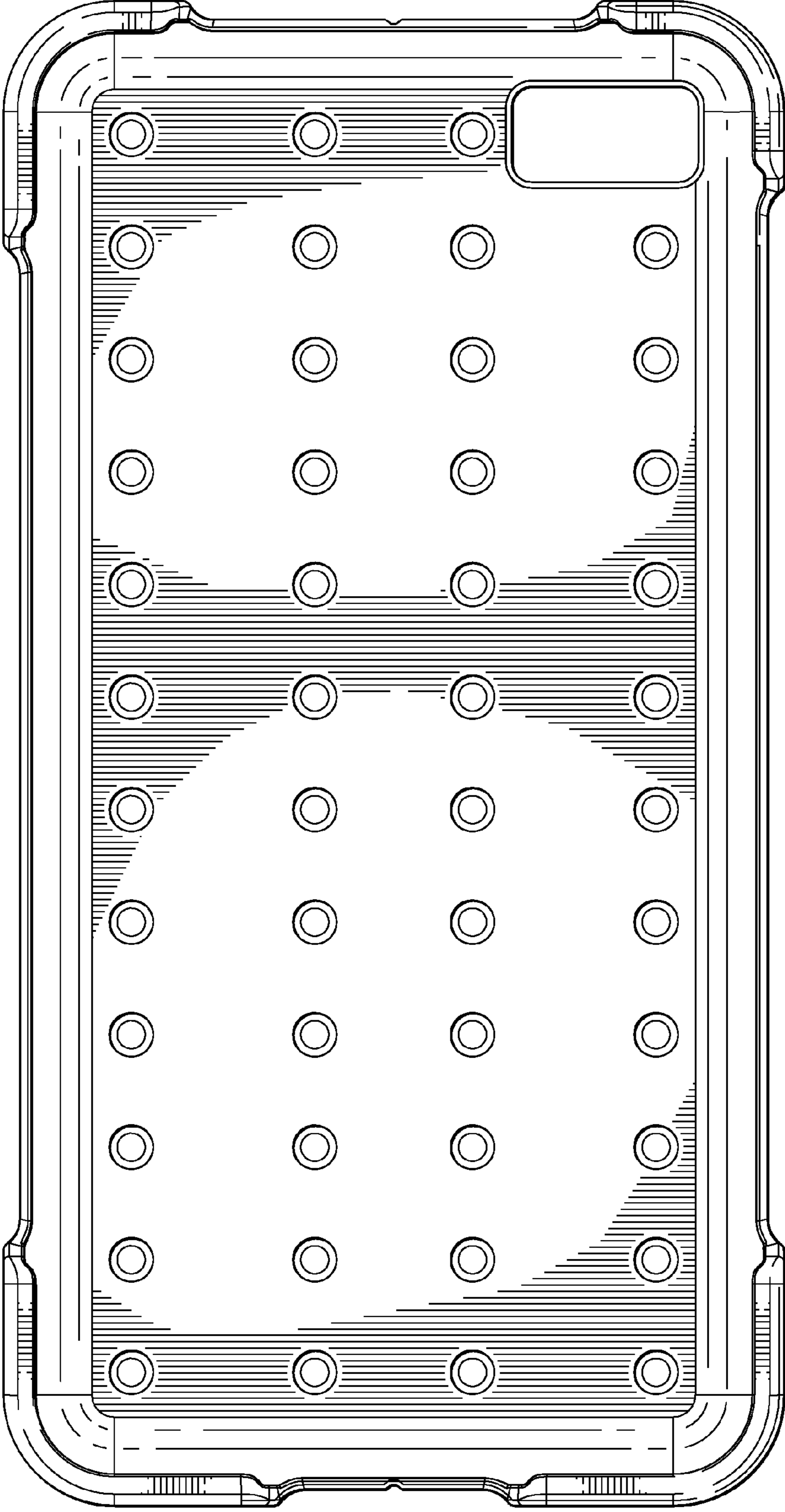


FIG. 4



FIG. 5



FIG. 6

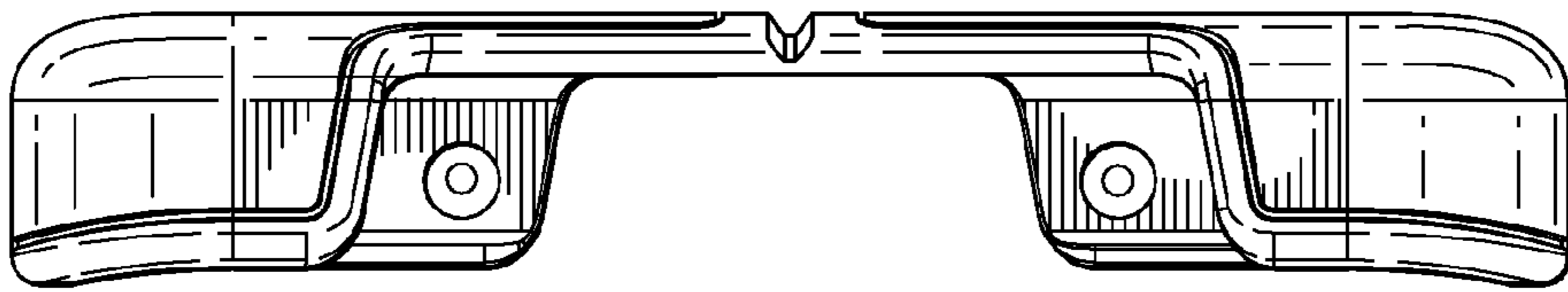
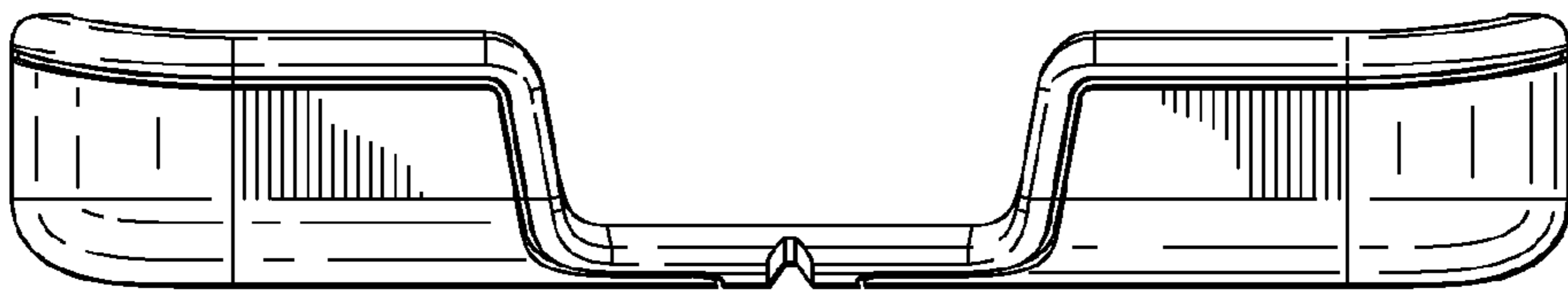


FIG. 7



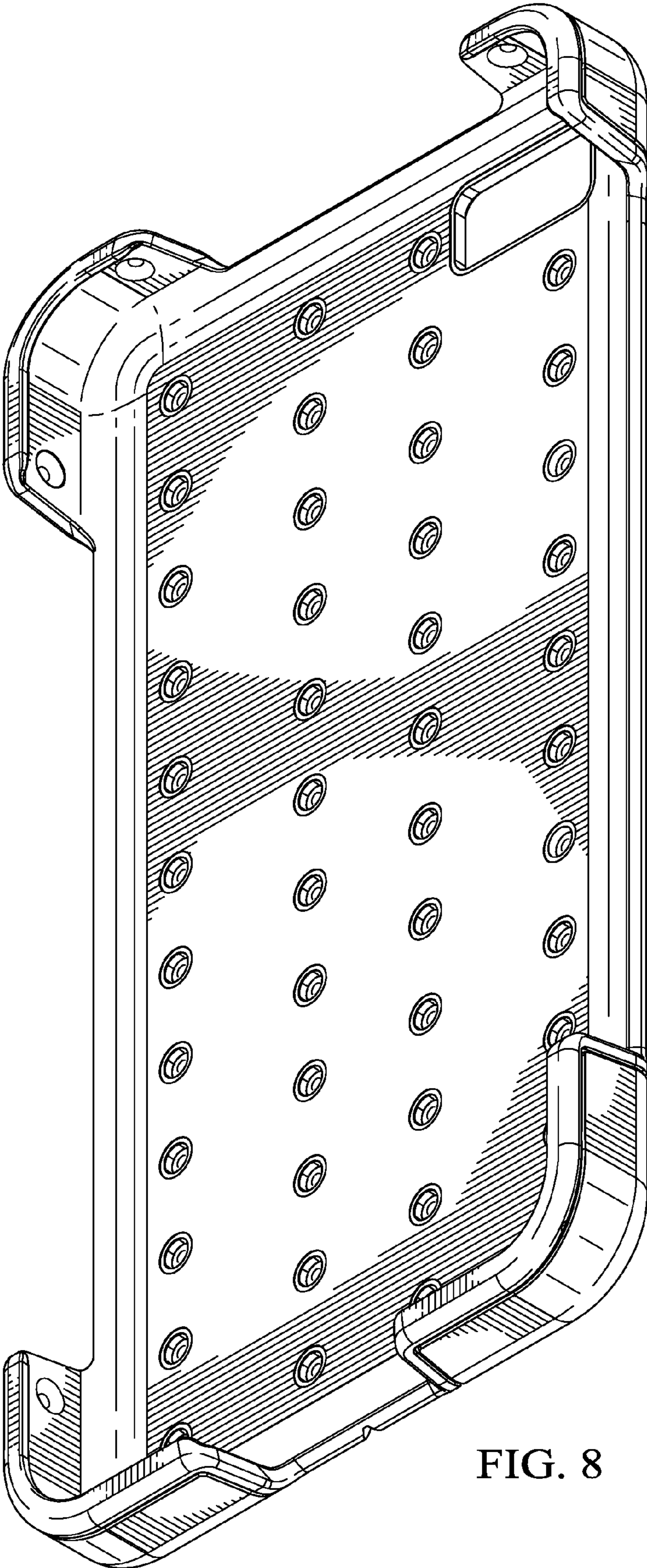


FIG. 8