



US00D682815S

(12) **United States Design Patent**
Chang

(10) **Patent No.:** **US D682,815 S**

(45) **Date of Patent:** **** May 21, 2013**

(54) **CASE**

(76) **Inventor:** **David Chang**, Houston, TX (US)

(**) **Term:** **14 Years**

(21) **Appl. No.:** **29/390,939**

(22) **Filed:** **Apr. 29, 2011**

(51) **LOC (9) Cl.** **14-03**

(52) **U.S. Cl.**
USPC **D14/250**

(58) **Field of Classification Search** D14/250–253,
D14/440, 203.3–203.7, 217, 496, 248, 238.1,
D14/240, 447, 138.1; D3/201, 218, 269,
D3/301, 273, 303, 103, 247; D13/103, 107–108,
D13/119; 220/4.02; 248/309.1, 371, 176.3,
248/668; 361/679.56, 679.3, 679.25, 816;
379/426, 433.11, 455; 455/575.1, 575.8;
206/305, 320; 345/173

See application file for complete search history.

(56) **References Cited**

U.S. PATENT DOCUMENTS

D592,188 S *	5/2009	Huang	D14/217
D615,536 S *	5/2010	Richardson et al.	D14/250
D620,000 S *	7/2010	Bau	D14/250
D637,592 S *	5/2011	Magness et al.	D14/250
D640,679 S *	6/2011	Willes et al.	D14/250
D644,215 S *	8/2011	Dong	D14/250
D646,671 S *	10/2011	Fathollahi	D14/250
D646,673 S *	10/2011	Fathollahi	D14/250
D647,518 S *	10/2011	Fathollahi	D14/250
D647,895 S *	11/2011	Fathollahi	D14/250
D649,537 S *	11/2011	Magness et al.	D14/250
8,051,980 B2 *	11/2011	Tai et al.	206/320
D650,776 S *	12/2011	Bau	D14/250
D651,201 S *	12/2011	Fathollahi	D14/250
D662,925 S *	7/2012	Mayberry et al.	D14/250

8,245,842 B2 *	8/2012	Bau	206/320
D670,279 S *	11/2012	Veltz et al.	D14/250
D673,553 S *	1/2013	Weller et al.	D14/250
2003/0151890 A1 *	8/2003	Huang et al.	361/683
2009/0181729 A1 *	7/2009	Griffin et al.	455/575.1
2010/0240427 A1 *	9/2010	Lee	455/575.8

OTHER PUBLICATIONS

Review of Seidio Innocase II Surface Combo, posted on Feb. 9, 2011, <URL:http://blog.techwarehouse.com/will-att-iphone-4-seidio-innocase-cases-fit-verizon-iphone-4/>, retrieved from internet on Jan. 3, 2013.*

* cited by examiner

Primary Examiner — Carla Jobe Wright

(74) *Attorney, Agent, or Firm* — Buche & Associates, P.C.; John K. Buche; Scott Compton

(57) **CLAIM**

The ornamental design for a case, as shown and described.

DESCRIPTION

FIG. 1 is a front perspective view of a case showing my new design;

FIG. 2 is a front view thereof;

FIG. 3 is a rear view thereof;

FIG. 4 is a left side view thereof;

FIG. 5 is a right side view thereof;

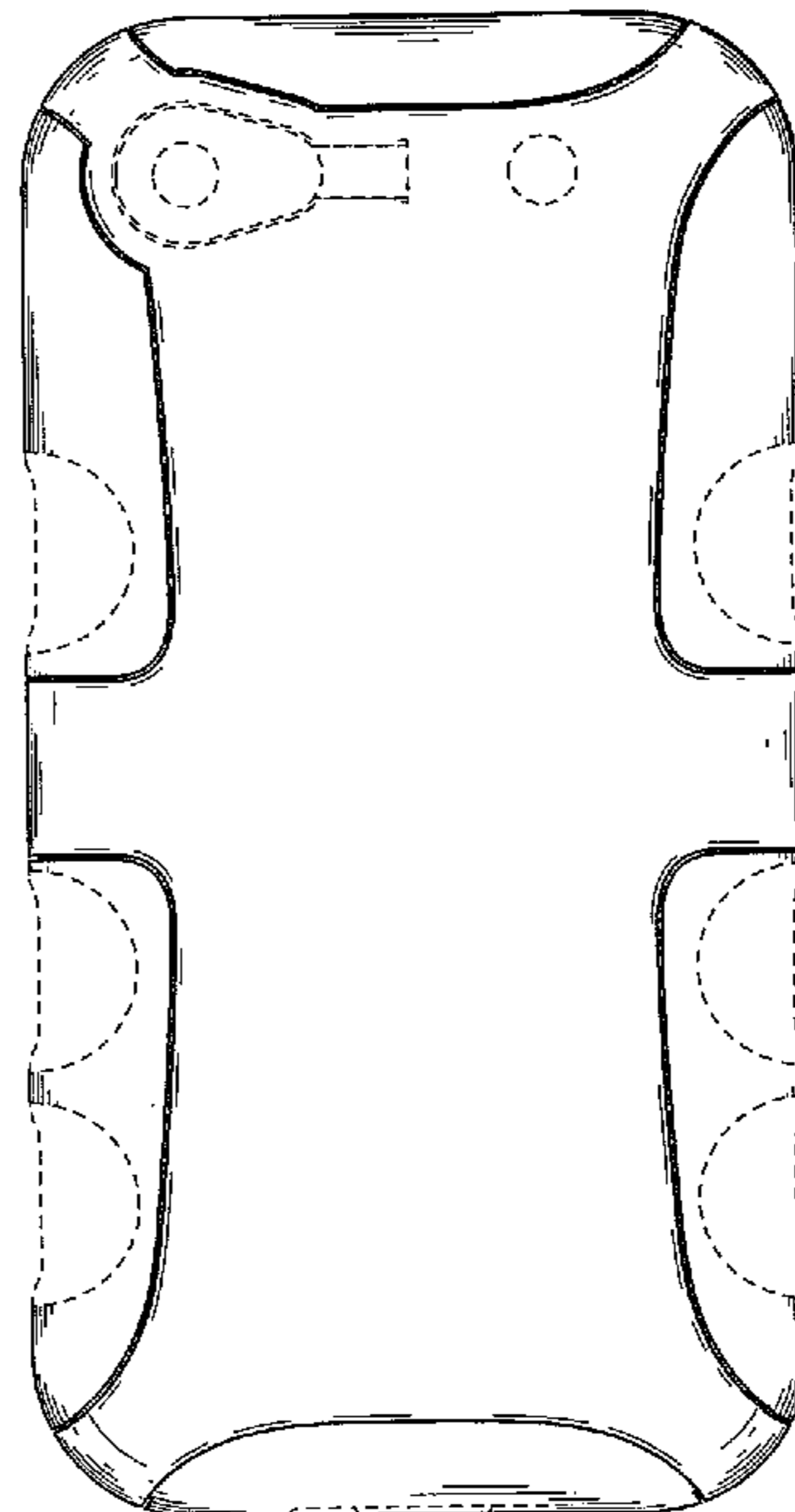
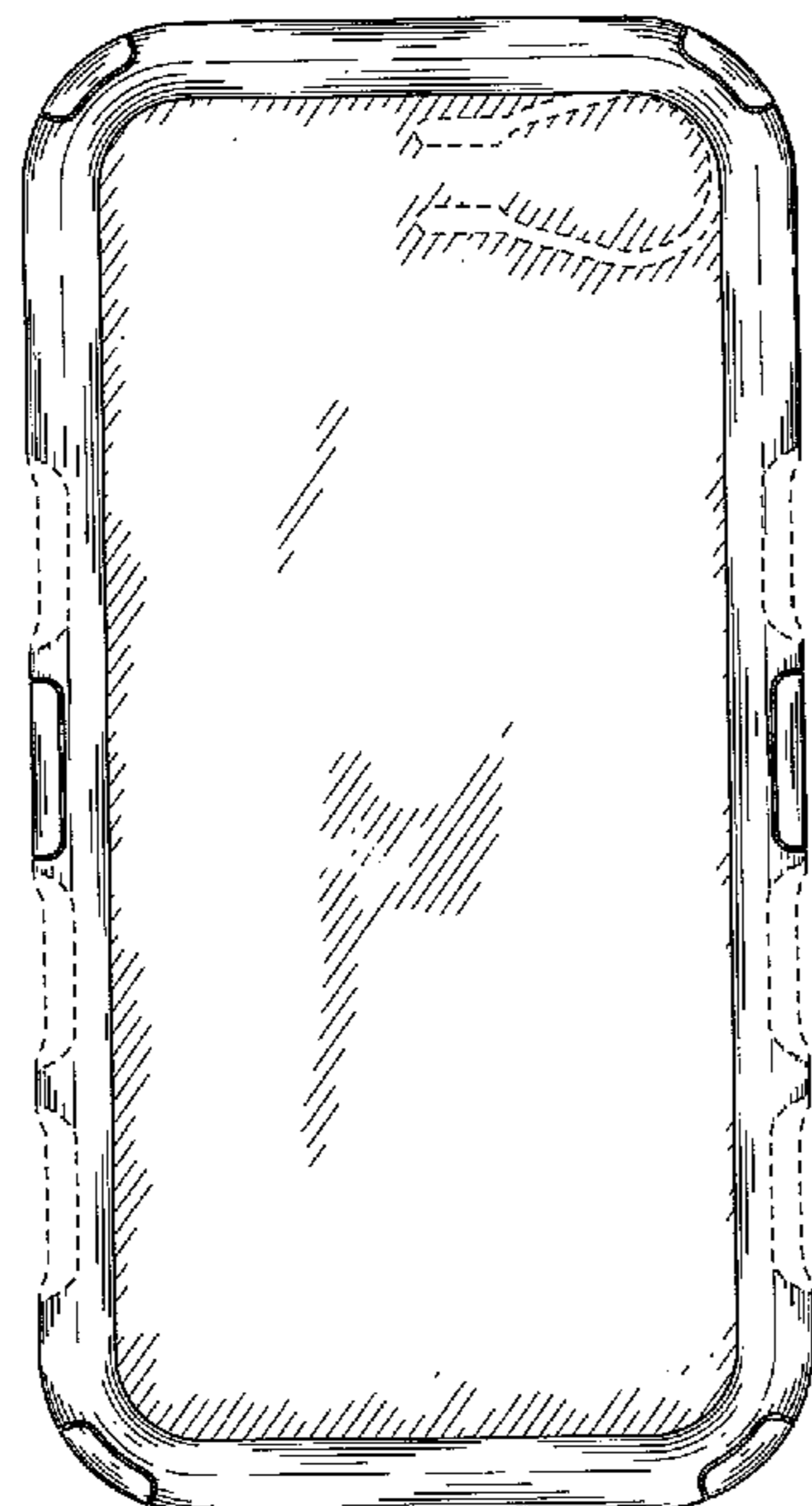
FIG. 6 is a bottom view thereof;

FIG. 7 is a top view thereof; and,

FIG. 8 is a front perspective view thereof.

The broken lines immediately adjacent the shaded surfaces represent boundaries of the claimed design. All other broken lines depict unclaimed environment. The broken lines form no part of the claimed design. The unshaded surface shown on the front of the case in FIG. 8 depicts an unclaimed electronic device housed within the case.

1 Claim, 4 Drawing Sheets



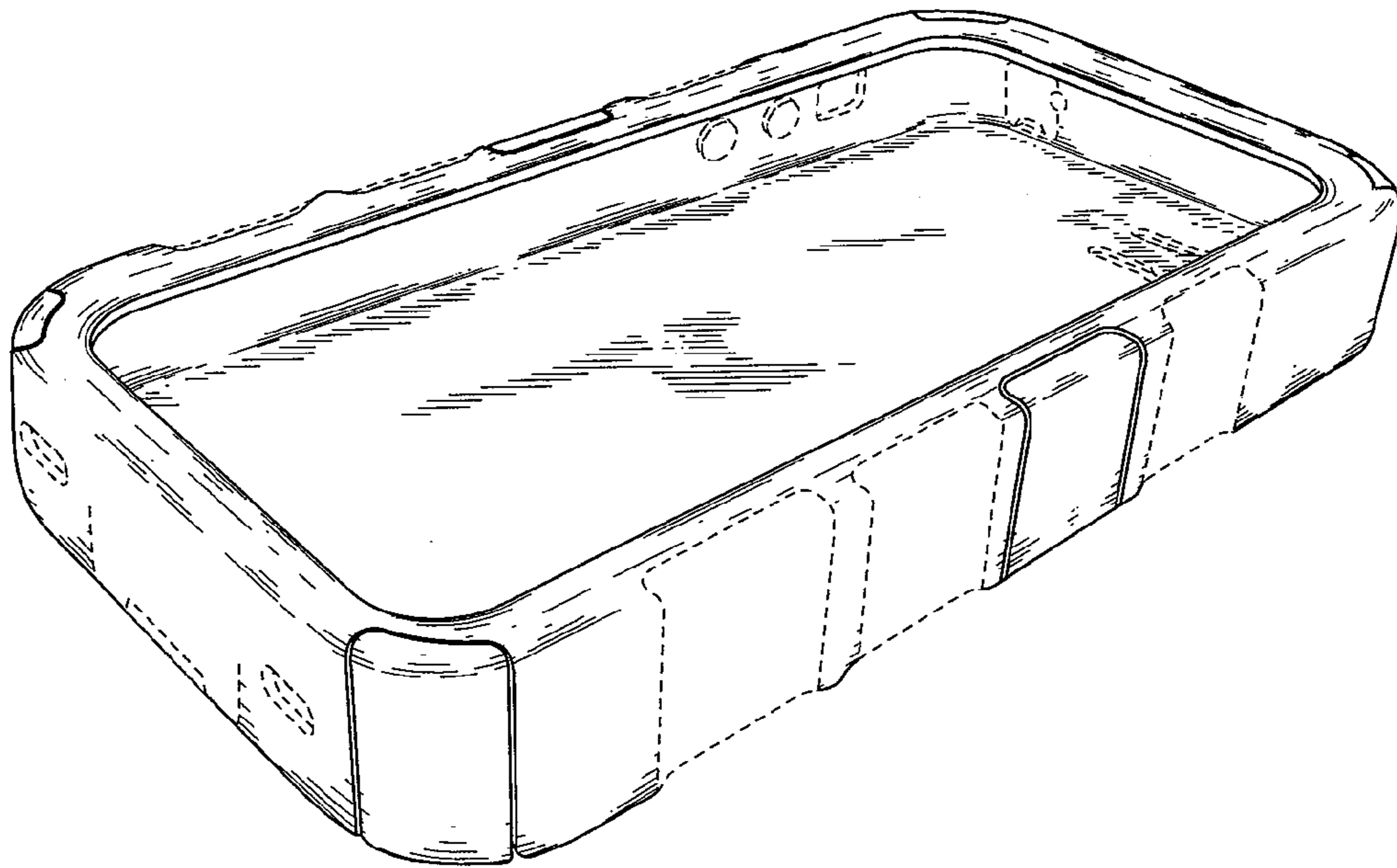


FIG. 1

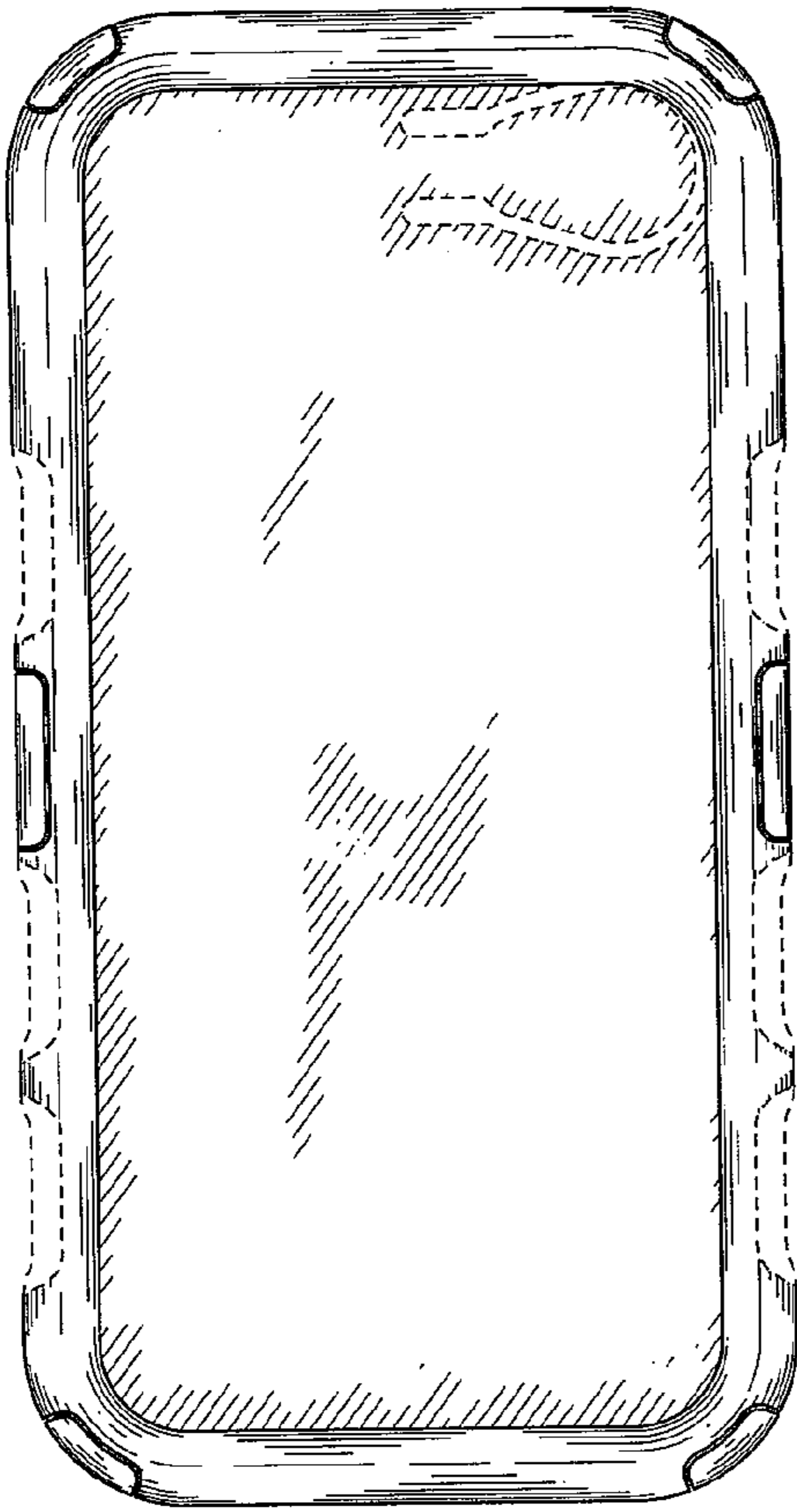


FIG. 2

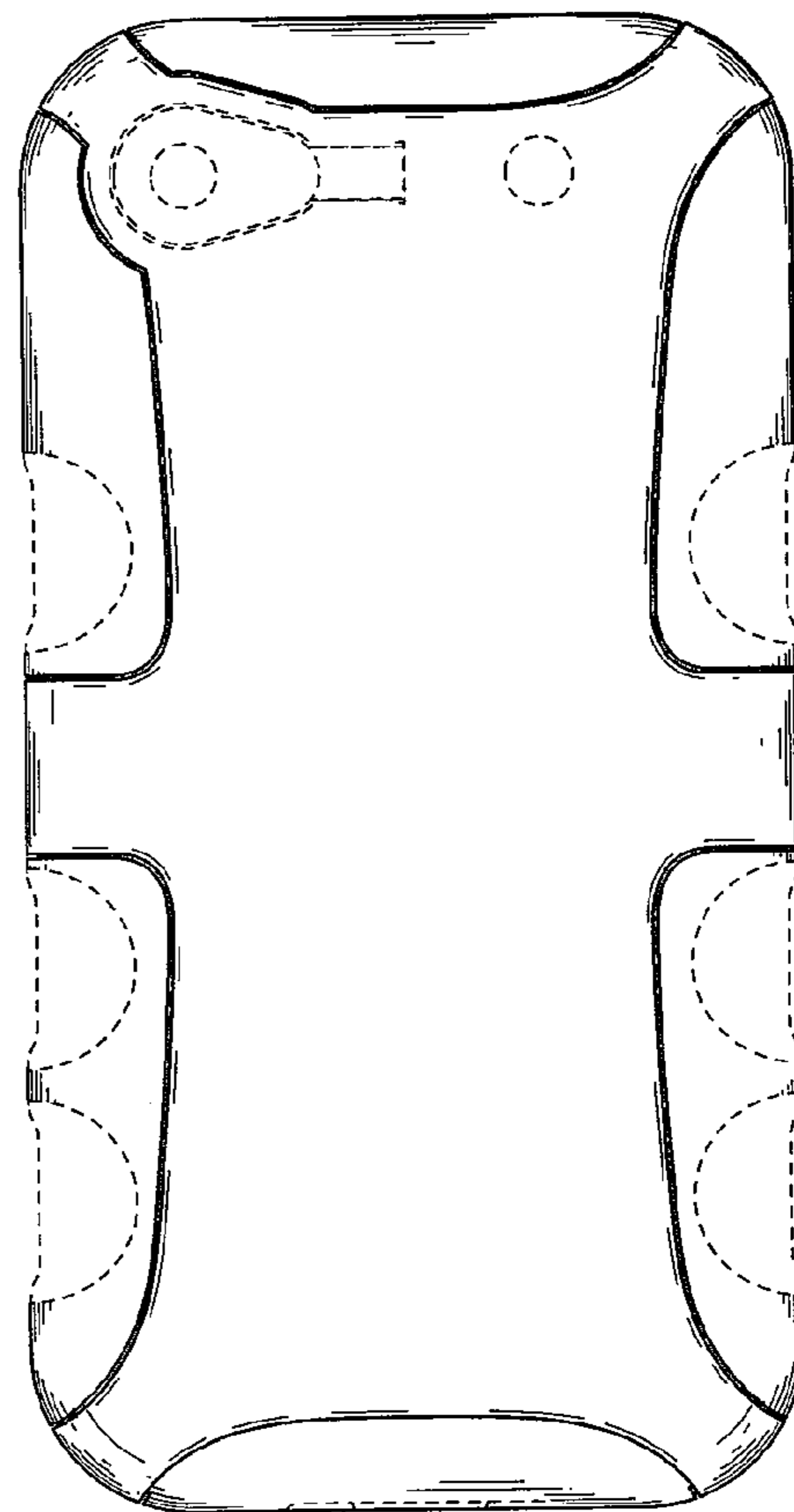


FIG. 3

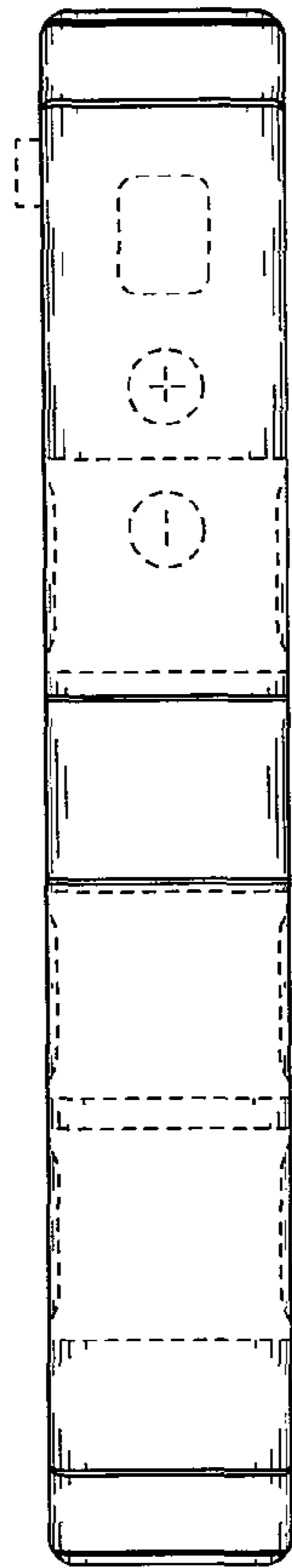


FIG. 4

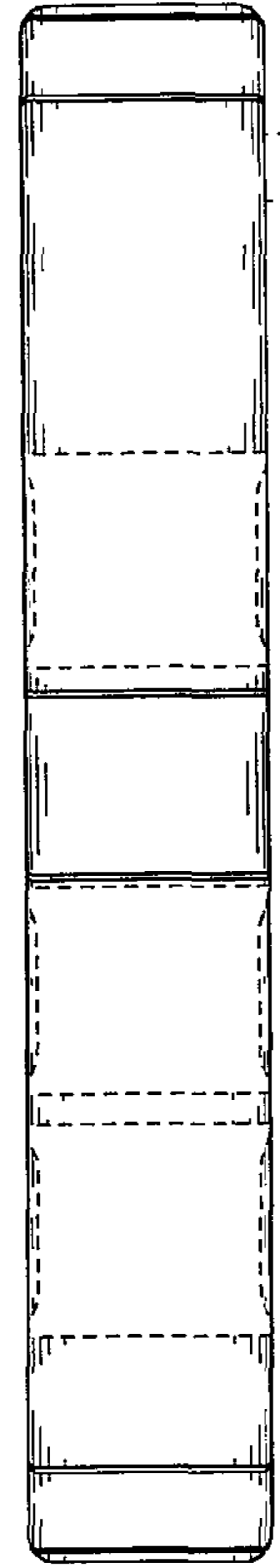


FIG. 5



FIG. 6

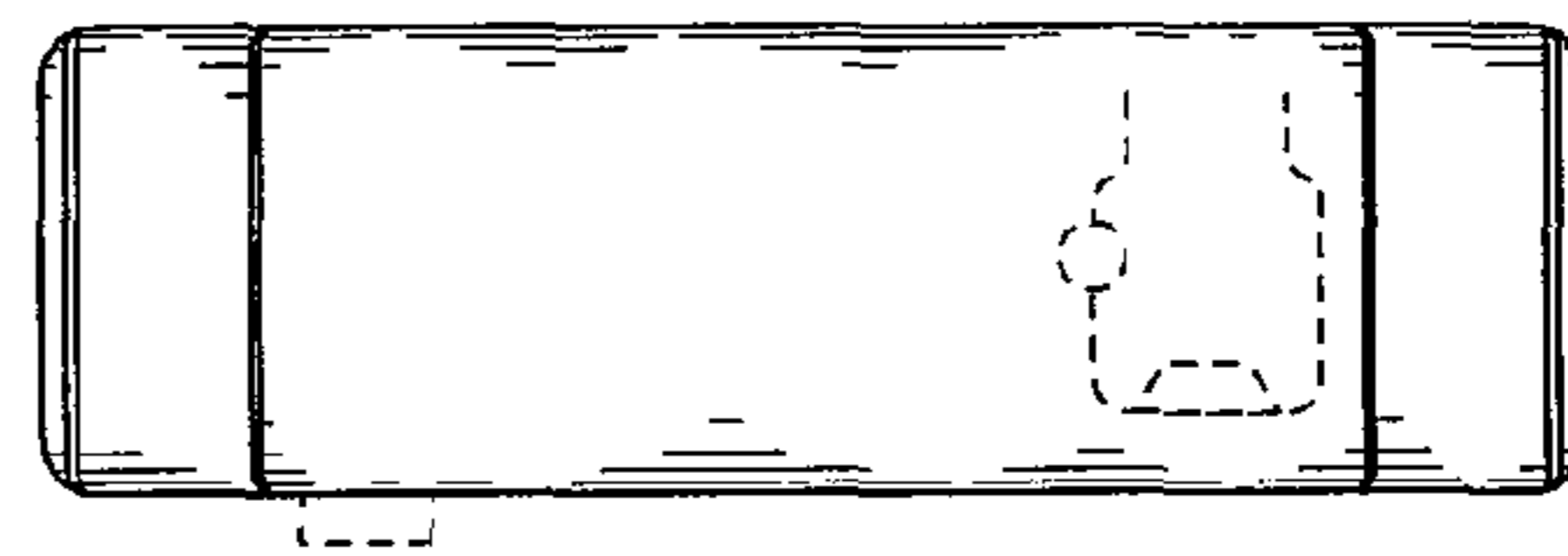


FIG. 7

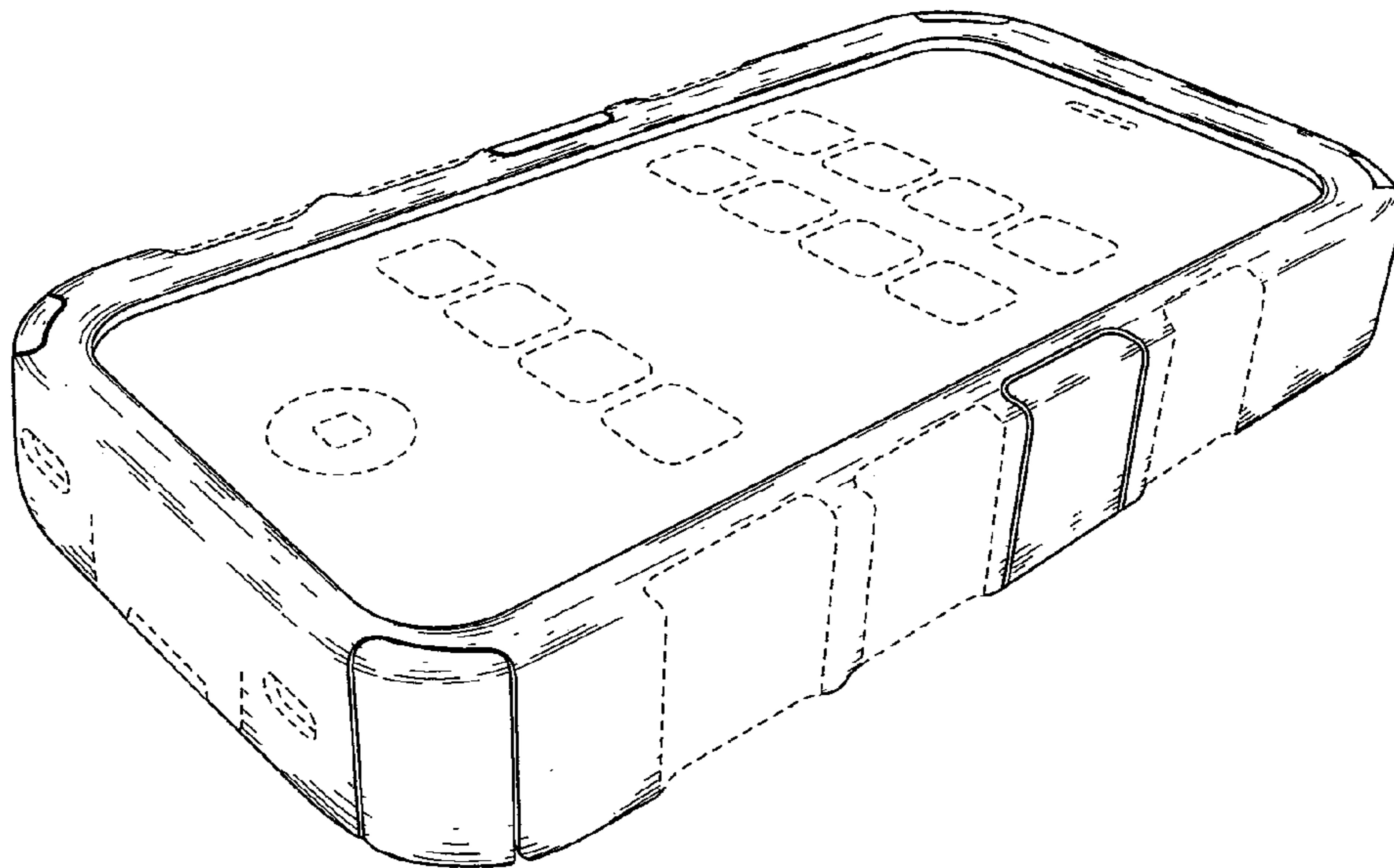


FIG. 8