



US00D682814S

(12) **United States Design Patent**
Kadivar et al.

(10) **Patent No.:** **US D682,814 S**

(45) **Date of Patent:** **** May 21, 2013**

(54) **DISPLAY MOUNTING BRACKET FOR A VIDEO CONFERENCE SYSTEM ENDPOINT**

(74) *Attorney, Agent, or Firm* — Edell, Shapiro & Finnan, LLC

(75) Inventors: **Mohammad Reza Danesh Kadivar**, Santa Clara, CA (US); **Peter Alf Joakim Fornell**, San Jose, CA (US); **Nancy Gayed**, Redwood City, CA (US)

(57) **CLAIM**

The ornamental design for a display mounting bracket for a video conference system endpoint, as shown and described.

(73) Assignee: **Cisco Technology, Inc.**, San Jose, CA (US)

DESCRIPTION

(**) Term: **14 Years**

(21) Appl. No.: **29/418,150**

(22) Filed: **Apr. 12, 2012**

(51) **LOC (9) Cl.** **14-03**

(52) **U.S. Cl.**

USPC **D14/239**; D16/242

(58) **Field of Classification Search** D16/200, D16/202, 203, 208, 218, 219, 242; 248/121, 248/187.1; 348/373–376; 396/419, 428, 396/535–541; D14/239

See application file for complete search history.

FIG. 1 is a front, right perspective view from above of a display mounting bracket for a video conference system endpoint according to the present invention; FIG. 2 is a front, right perspective view from above of the display mounting bracket of FIG. 1 where the display mounting bracket is shown in a bent mounting configuration; FIG. 3 is front, right perspective view from above of the display mounting bracket of FIG. 1 where the display mounting bracket is shown in another bent mounting configuration; FIG. 4 is front, right perspective view from above of the display mounting bracket of FIG. 1 where the display mounting bracket is shown in a still other bent mounting configuration; FIG. 5 is a top plan view of the display mounting bracket of FIG. 1; FIG. 6 is a bottom plan view of the display mounting bracket of FIG. 1; FIG. 7 is a front elevation view of the display mounting bracket of FIG. 1; FIG. 8 is a rear elevation view of the display mounting bracket of FIG. 1; FIG. 9 is a right side elevation view of the display mounting bracket of FIG. 1; and FIG. 10 is a left side elevation view of the display mounting bracket of FIG. 1; and FIG. 11 is a front, left perspective view of the display mounting bracket shown in use with a video display and a video conference system endpoint.

Any portions shown in phantom are for illustrative purposes only and form no part of the claimed design.

(56) **References Cited**

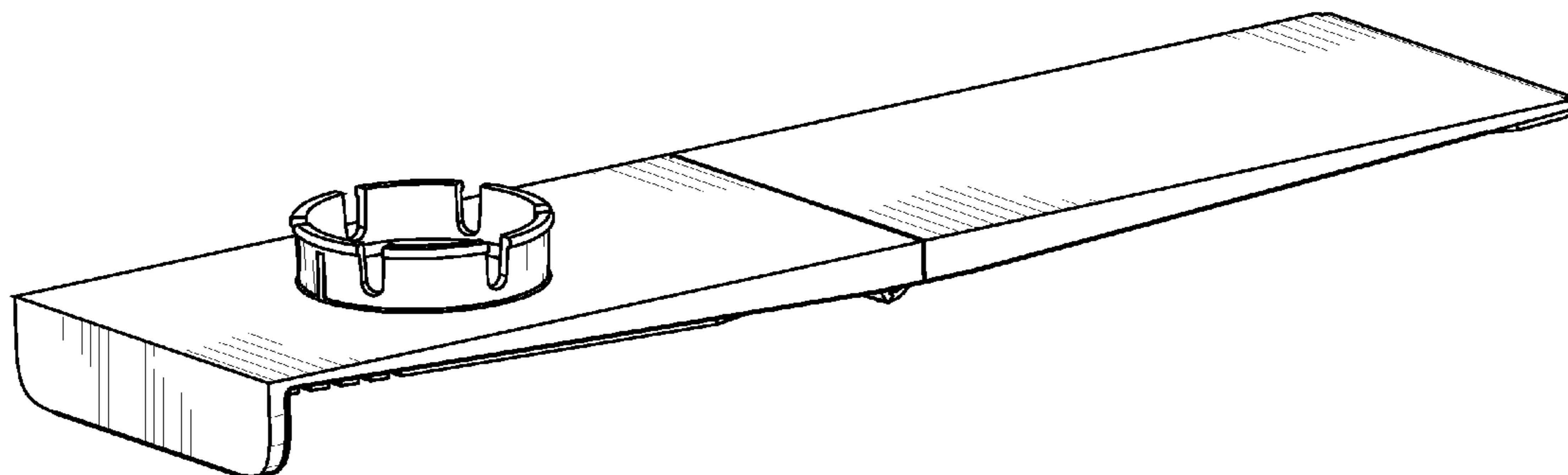
U.S. PATENT DOCUMENTS

7,232,098	B2 *	6/2007	Rawlings et al.	248/121
7,431,253	B2 *	10/2008	Yeh	248/286.1
D626,165	S *	10/2010	Raken et al.	D16/242
D631,079	S *	1/2011	Tzeng	D16/202
D632,718	S *	2/2011	Tzeng	D16/202
D640,913	S	7/2011	Goulden et al.	
D641,770	S *	7/2011	Hoehn et al.	D16/202
D647,946	S *	11/2011	Raken et al.	D16/242
8,054,378	B2 *	11/2011	Kao	348/373
D651,230	S *	12/2011	Tan et al.	D16/202
8,157,457	B2 *	4/2012	Khamsepoor et al.	396/428
D659,178	S *	5/2012	Huang et al.	D16/242
D659,734	S *	5/2012	Ip et al.	D16/202

* cited by examiner

Primary Examiner — Raphael Barkai
Assistant Examiner — Randall Gholson

1 Claim, 11 Drawing Sheets



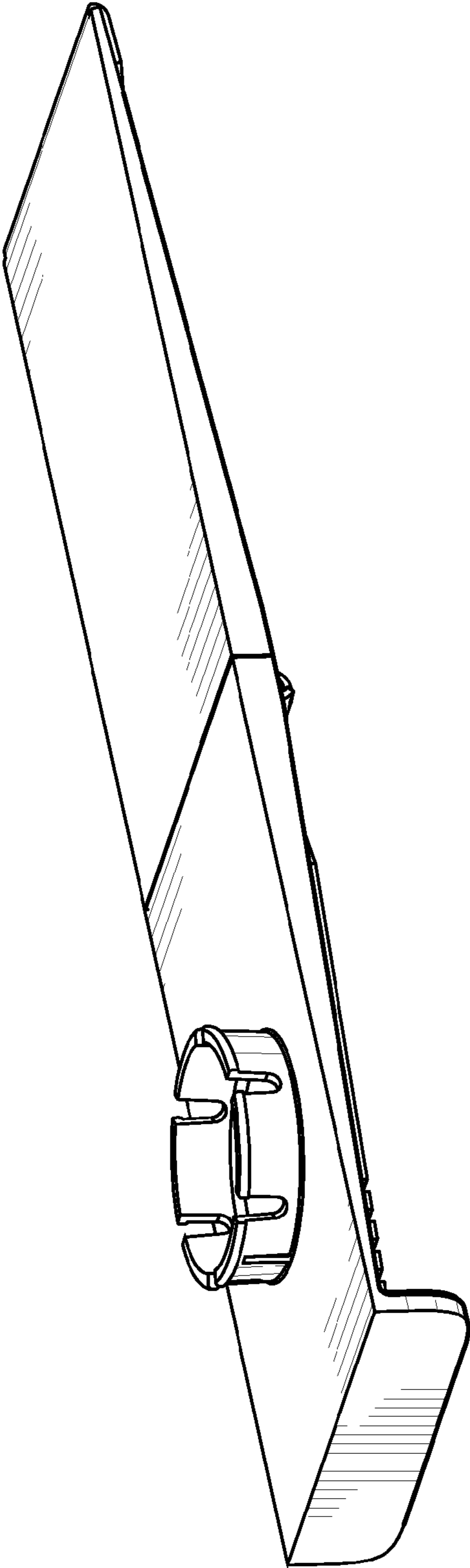


FIG.1

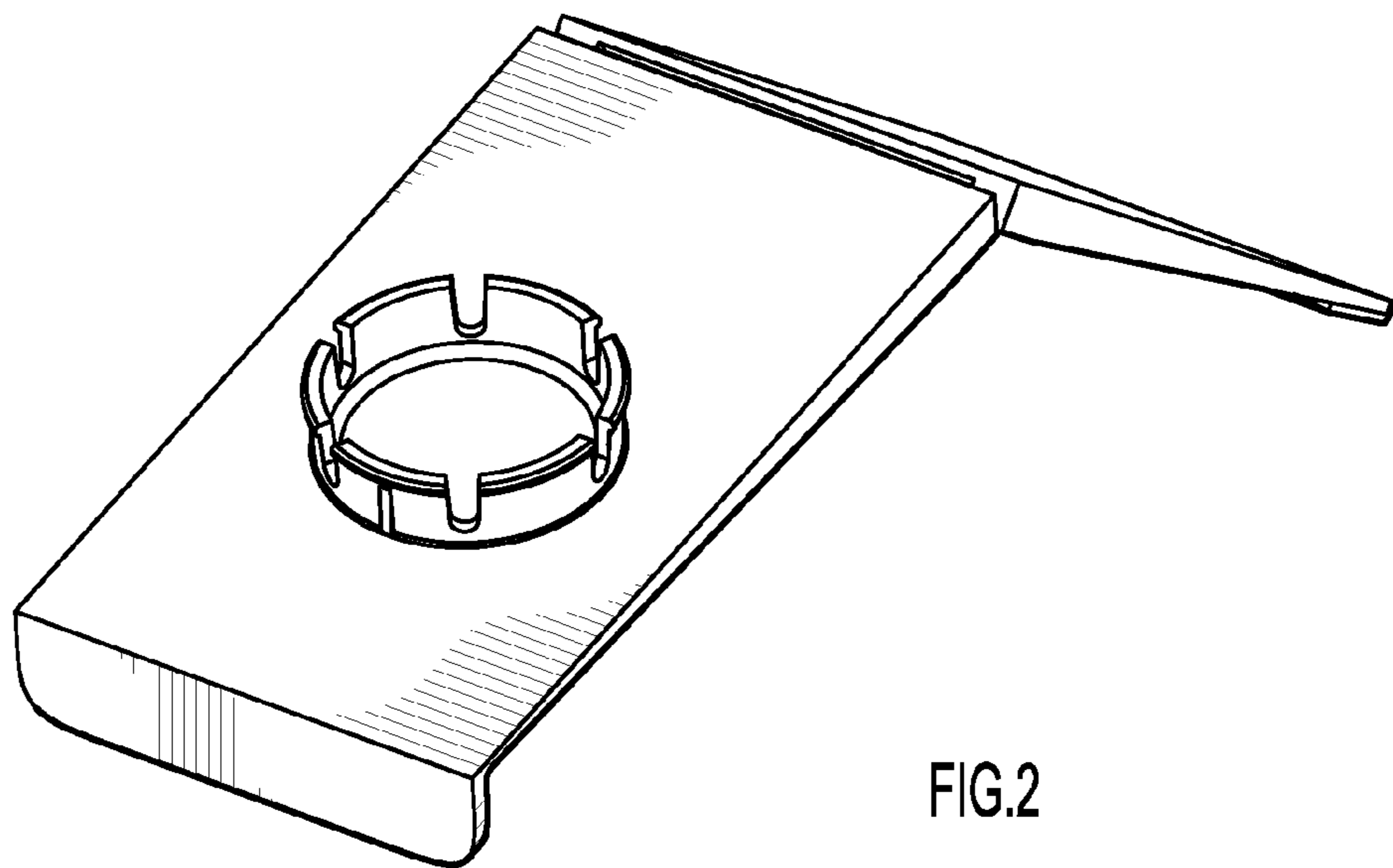


FIG.2

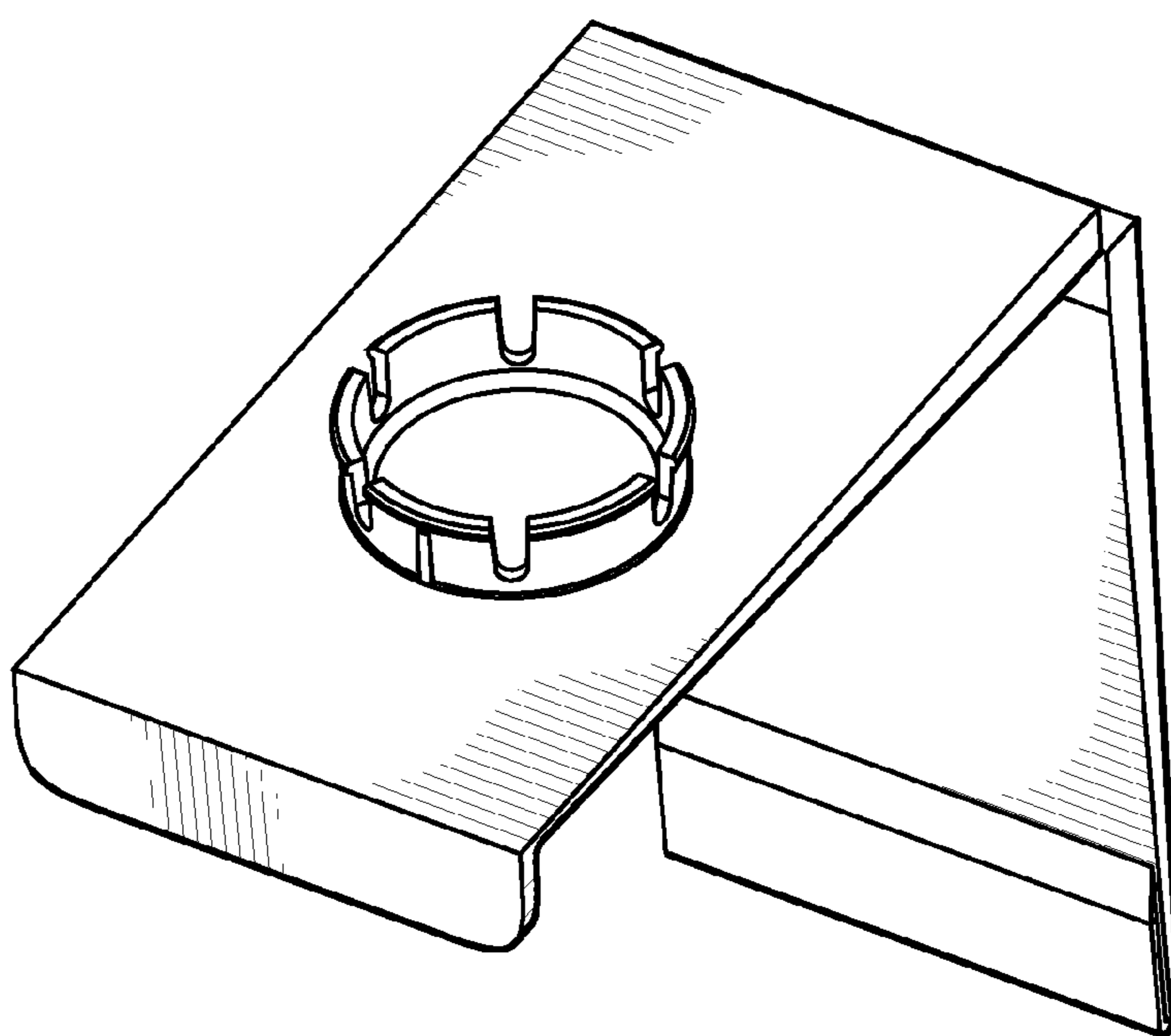


FIG.3

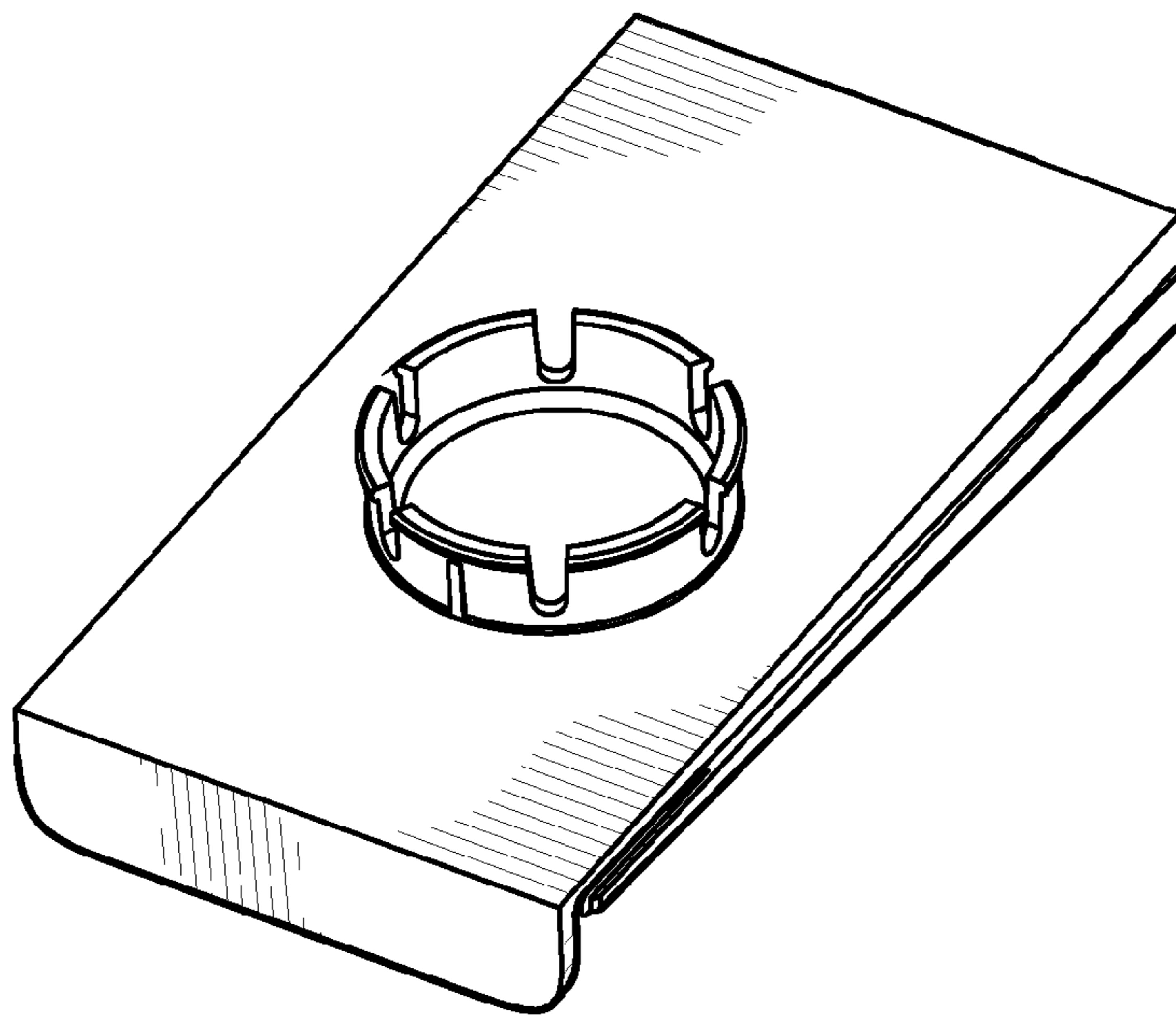


FIG.4

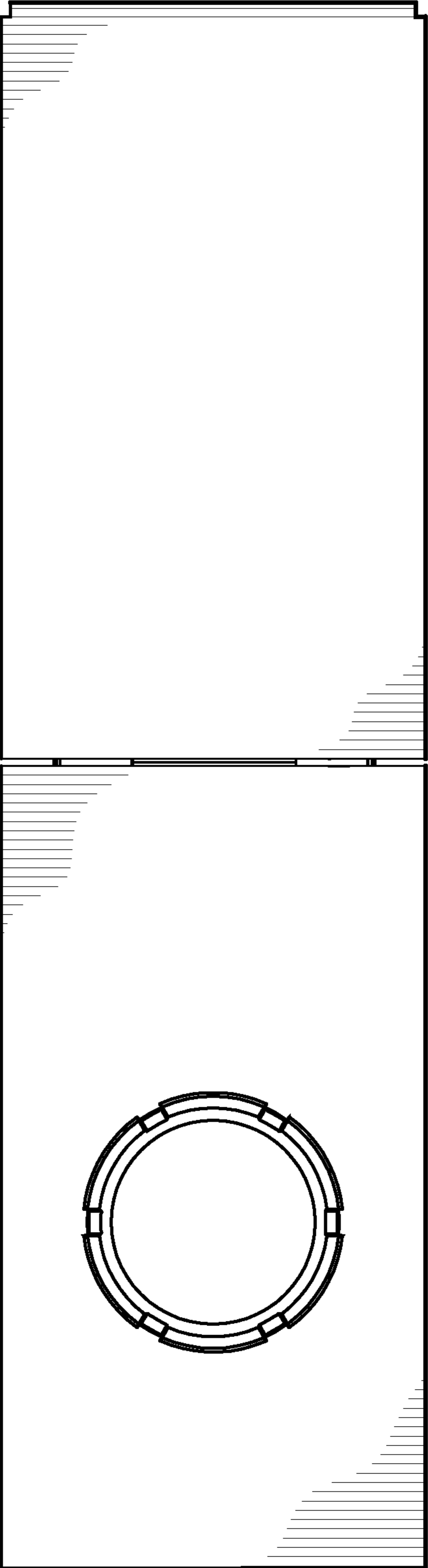


FIG.5

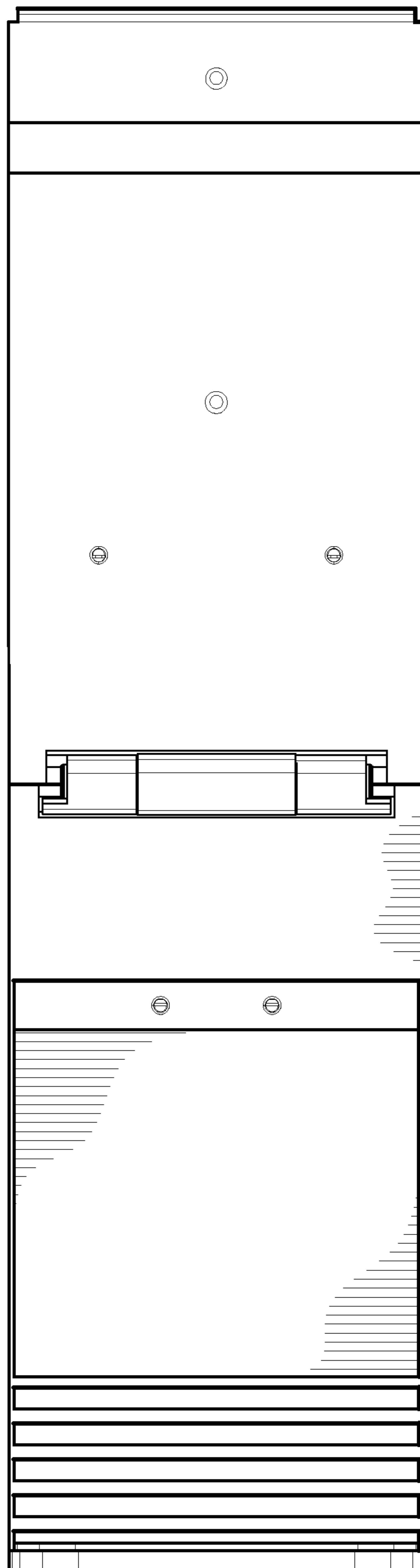


FIG.6

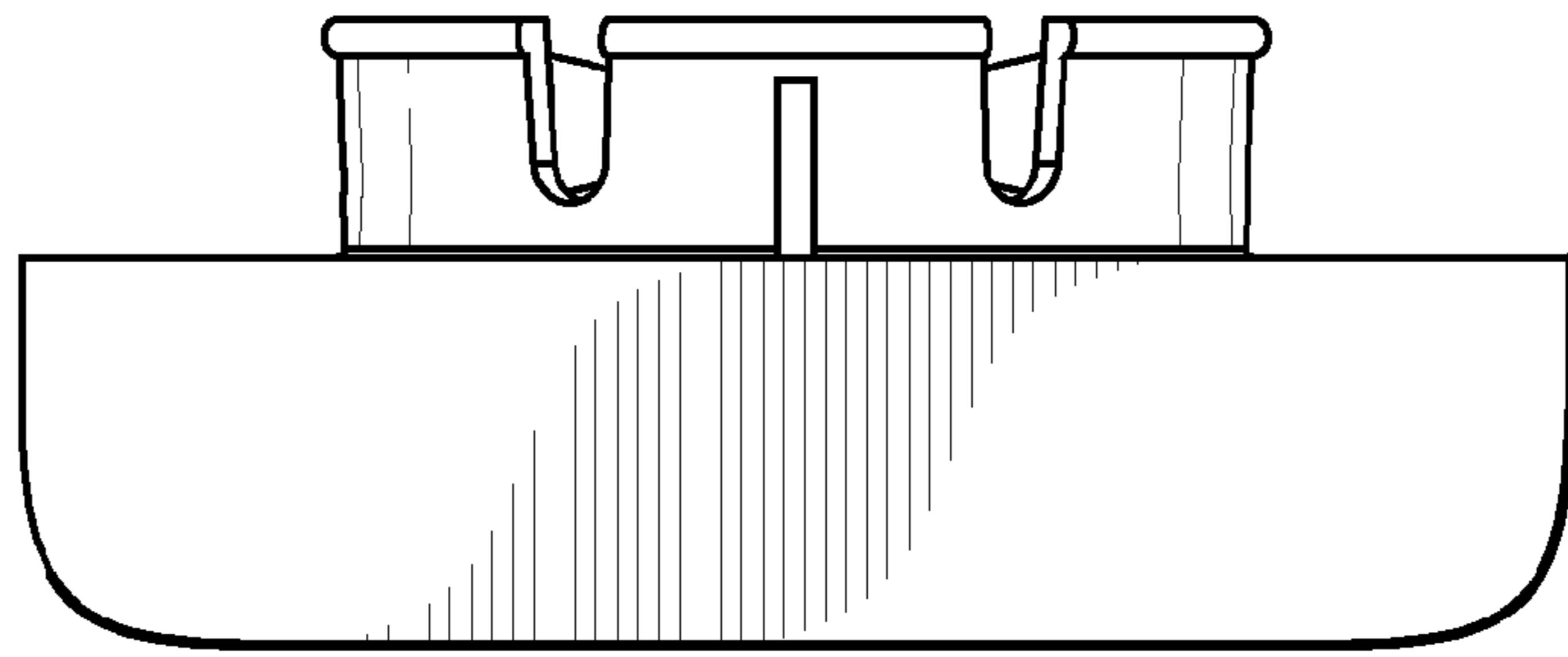


FIG.7

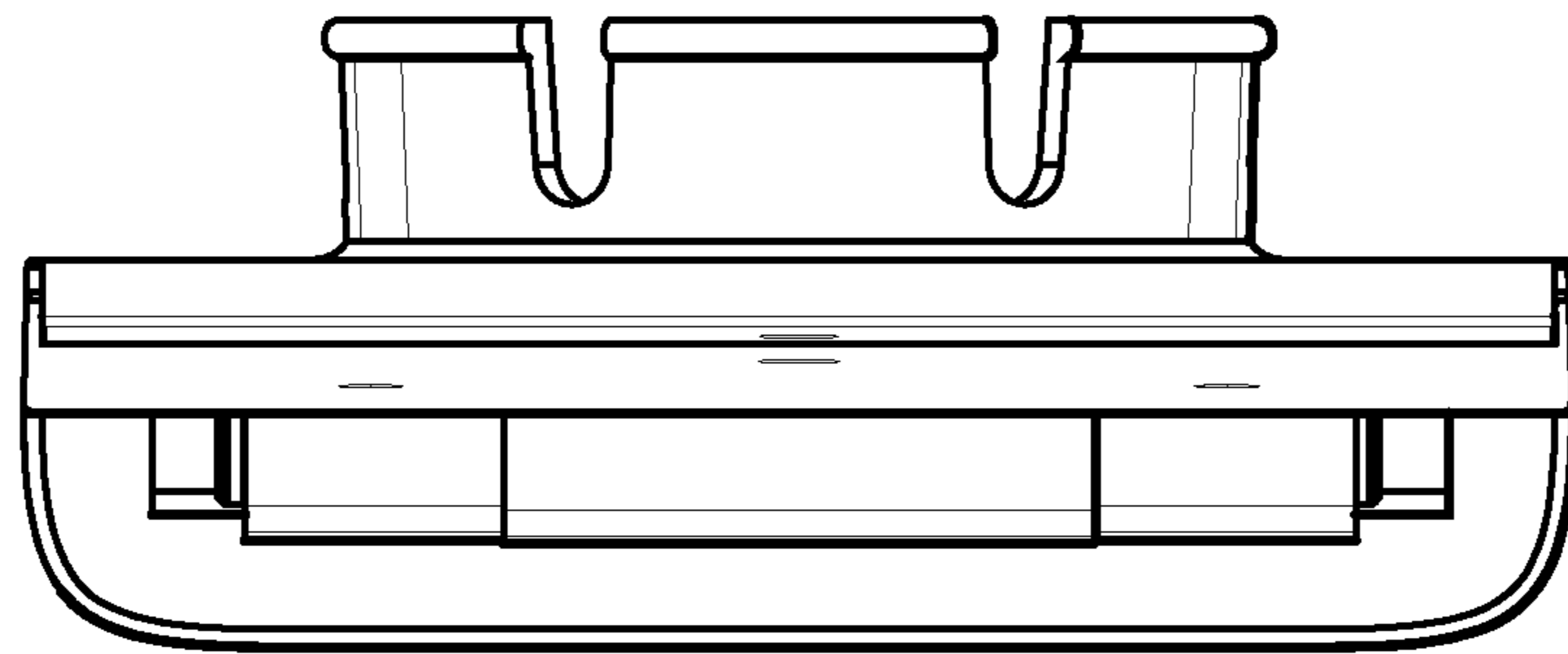


FIG.8

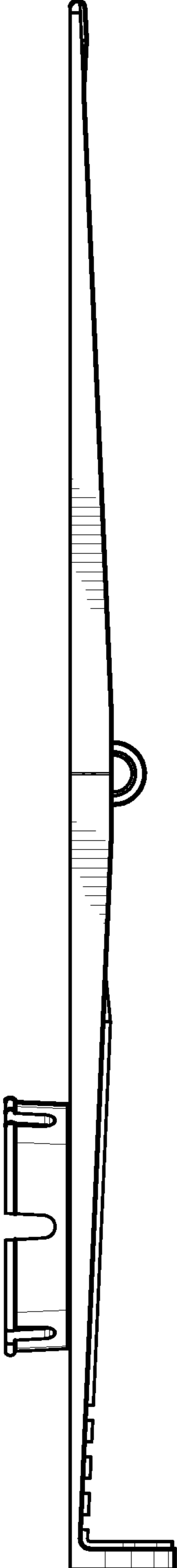


FIG.9

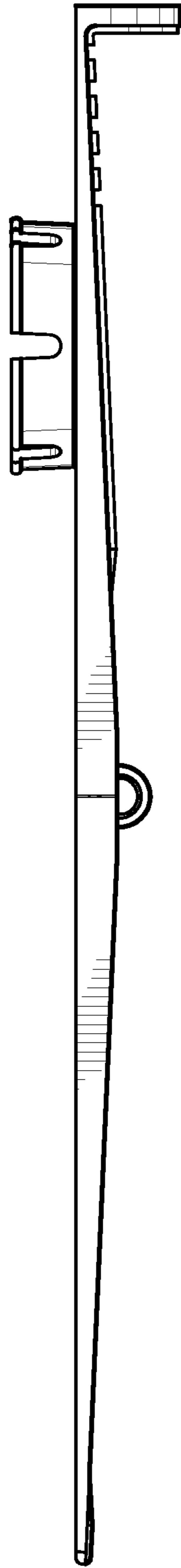


FIG.10

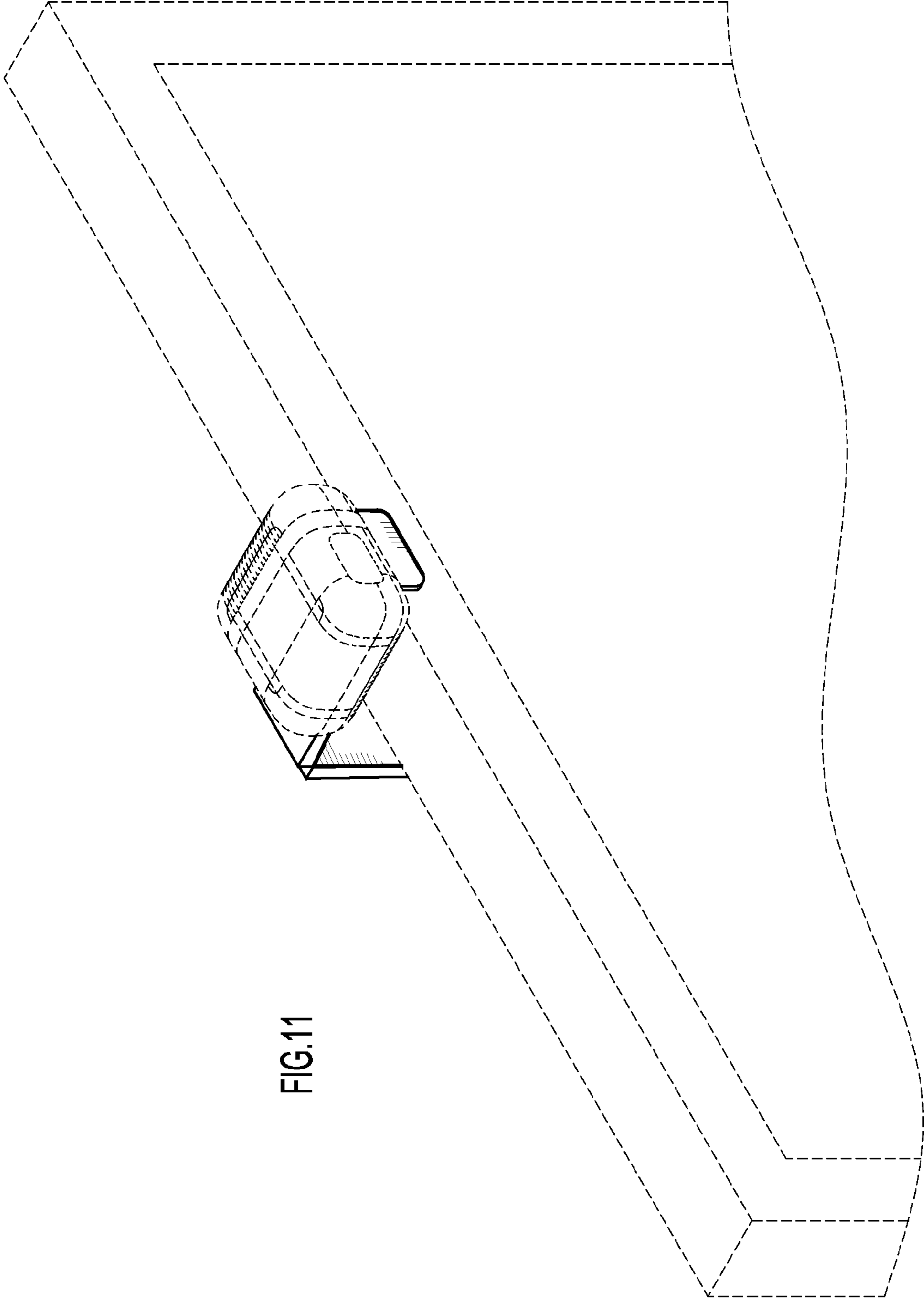


FIG. 11