



US00D682810S

(12) **United States Design Patent**
Chen

(10) **Patent No.:** **US D682,810 S**

(45) **Date of Patent:** **** May 21, 2013**

(54) **DIAPHRAGM**

(75) Inventor: **Hwang-Miaw Chen, Tu-Cheng (TW)**

(73) Assignee: **Hon Hai Precision Industry Co., Ltd.,
New Taipei (TW)**

(**) Term: **14 Years**

(21) Appl. No.: **29/383,852**

(22) Filed: **Jan. 24, 2011**

(51) **LOC (9) Cl.** **14-01**

(52) **U.S. Cl.**

USPC **D14/222; D14/172; D14/204; D14/210**

(58) **Field of Classification Search** 128/327,
128/832, 837, 830, 834, 917, 918; 424/430;
D24/105; D14/215, 496, 168, 172, 194,
D14/204, 219–222, 210, 257, 214, 216; 181/430,
181/171, 157; D17/99

See application file for complete search history.

(56) **References Cited**

U.S. PATENT DOCUMENTS

2,103,319	A *	12/1937	Clark, Jr.	128/838
2,538,478	A *	1/1951	Snell	128/837
4,200,090	A *	4/1980	Drobish	128/832
4,257,325	A *	3/1981	Bertagni	181/172
5,207,232	A *	5/1993	Shihata	128/837
5,527,534	A *	6/1996	Myhling	424/430
5,771,900	A *	6/1998	Austin et al.	128/830
6,158,435	A *	12/2000	Dorsey	128/830
6,216,698	B1 *	4/2001	Regula	128/830
D473,216	S *	4/2003	Irby et al.	D14/222
D502,939	S *	3/2005	Dayan	D14/216
D523,552	S *	6/2006	Nordahl et al.	D24/105

7,275,620	B1 *	10/2007	Diedrich et al.	181/171
D576,153	S *	9/2008	Sei	D14/216
D620,478	S *	7/2010	Chen	D14/215
D650,367	S *	12/2011	Chen	D14/222
D650,772	S *	12/2011	Chen	D14/216
D656,920	S *	4/2012	Chen	D14/214
D656,921	S *	4/2012	Chen	D14/214
2007/0209866	A1 *	9/2007	Frasl et al.	181/157

* cited by examiner

Primary Examiner — Ian Simmons

Assistant Examiner — Eleni H Aldridge

(74) *Attorney, Agent, or Firm* — Altis Law Group, Inc.

(57) **CLAIM**

The ornamental design for a diaphragm, as shown.

DESCRIPTION

FIG. 1 is a perspective view of a diaphragm showing my new design.

FIG. 2 is a front elevational view thereof.

FIG. 3 is a rear elevational view thereof.

FIG. 4 is a left side elevational view thereof.

FIG. 5 is a right side elevational view thereof.

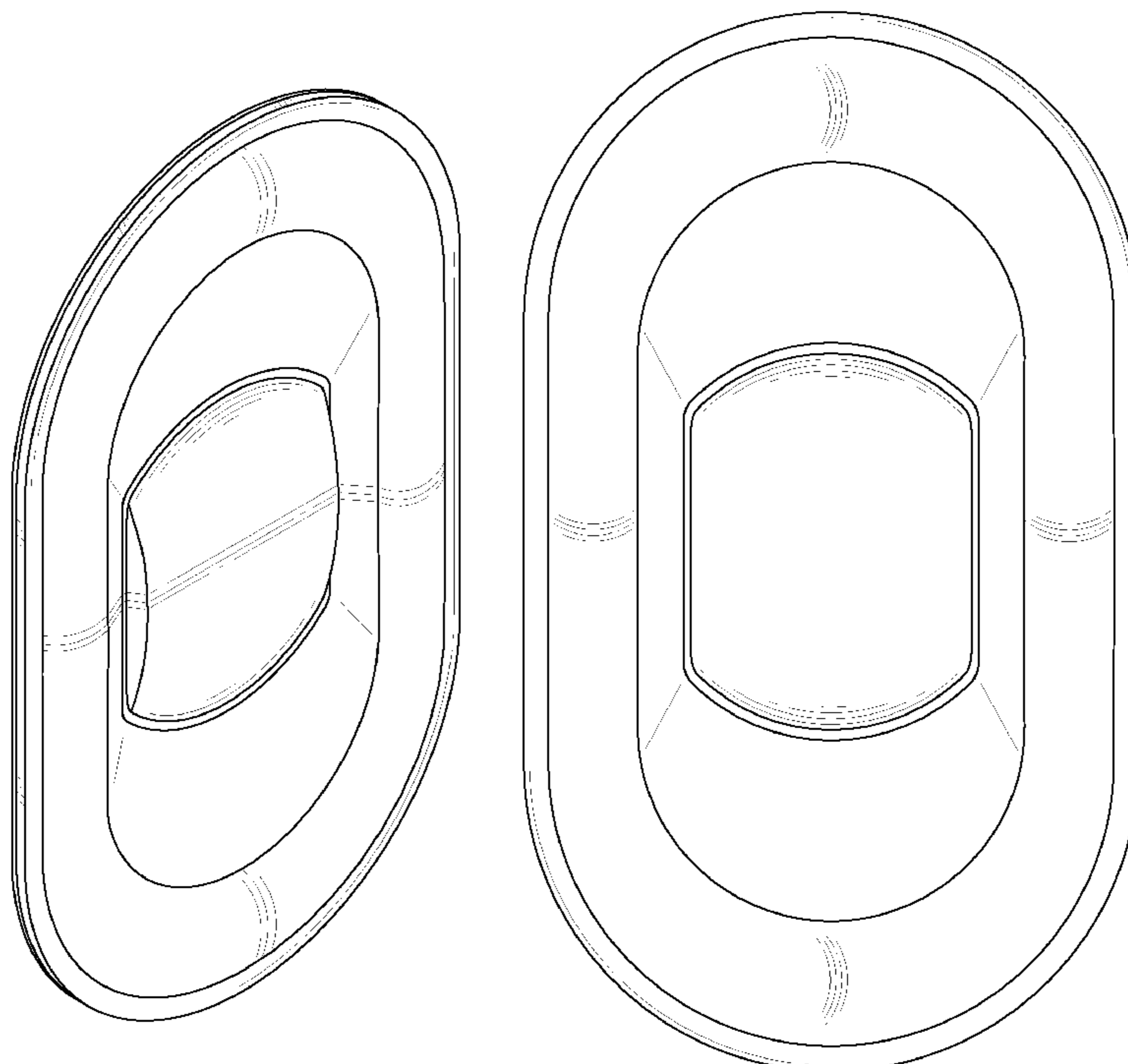
FIG. 6 is a top plan view thereof.

FIG. 7 is a bottom plan view thereof.

FIG. 8 is a cross-sectional view of the diaphragm, corresponding to A-A of FIG. 2, and illustrating the contour and outline of the diaphragm; and,

FIG. 9 is a cross-sectional view of the diaphragm, corresponding to B-B of FIG. 2, and illustrating the contour and outline of the diaphragm.

1 Claim, 9 Drawing Sheets



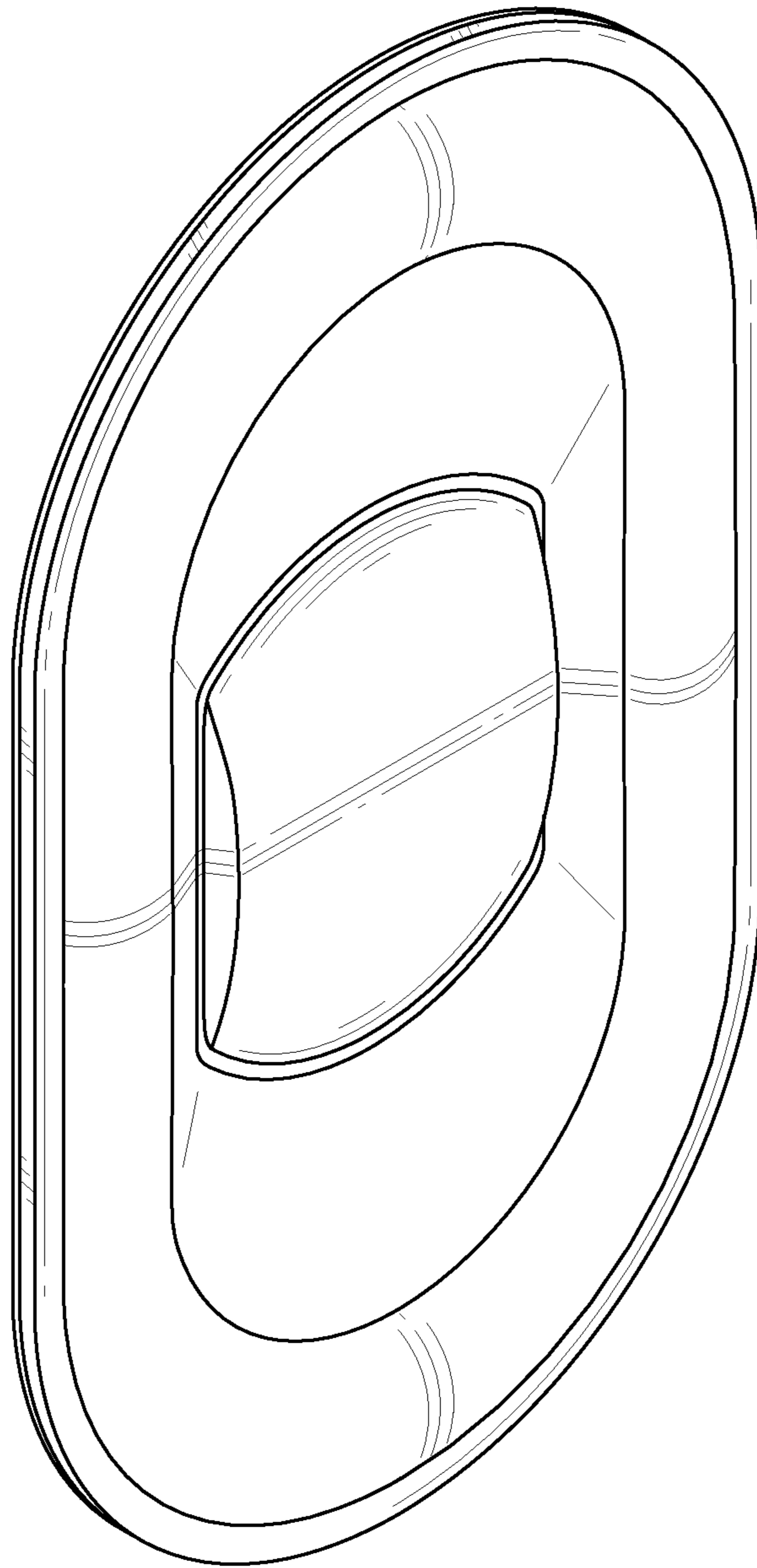


FIG. 1

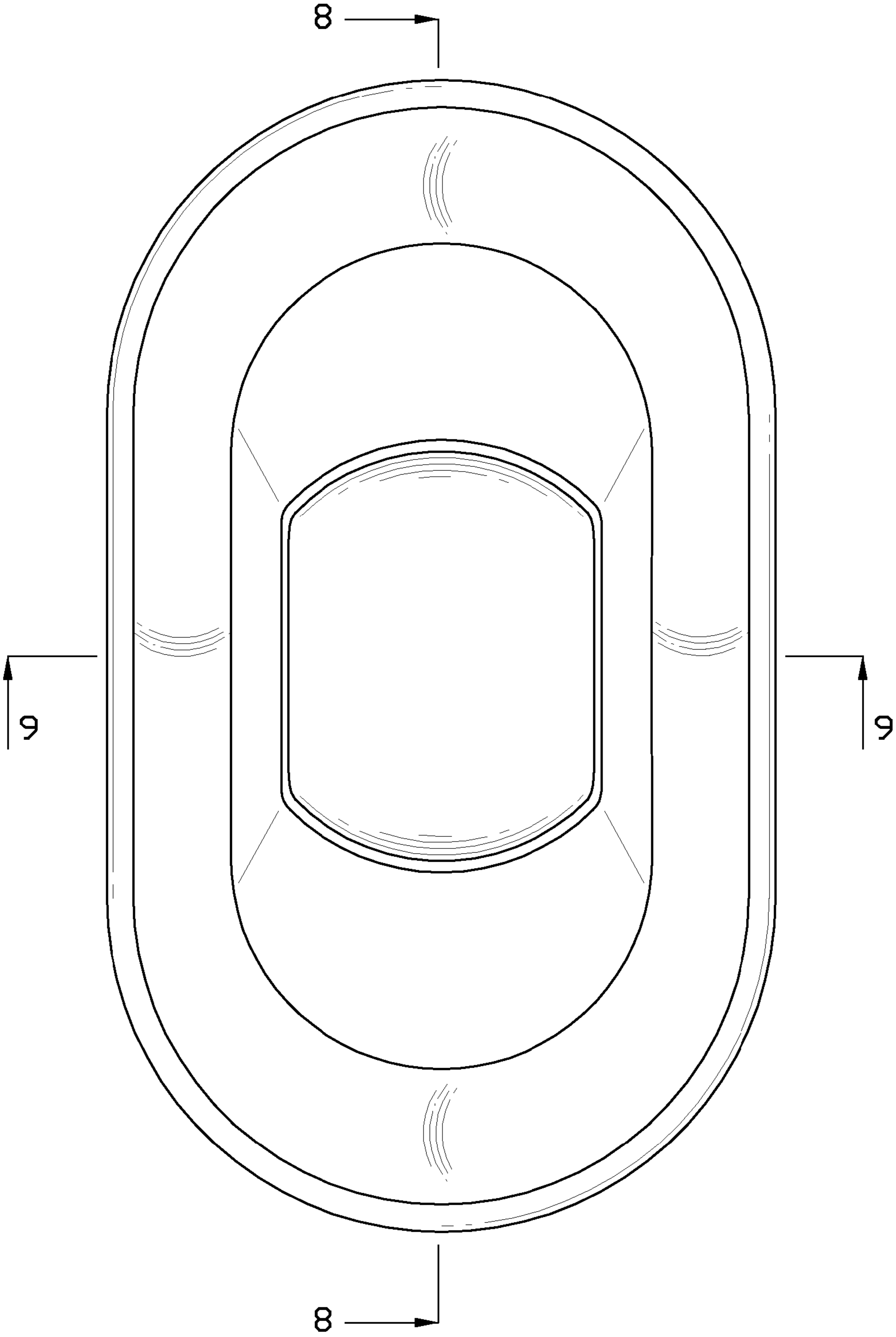


FIG. 2

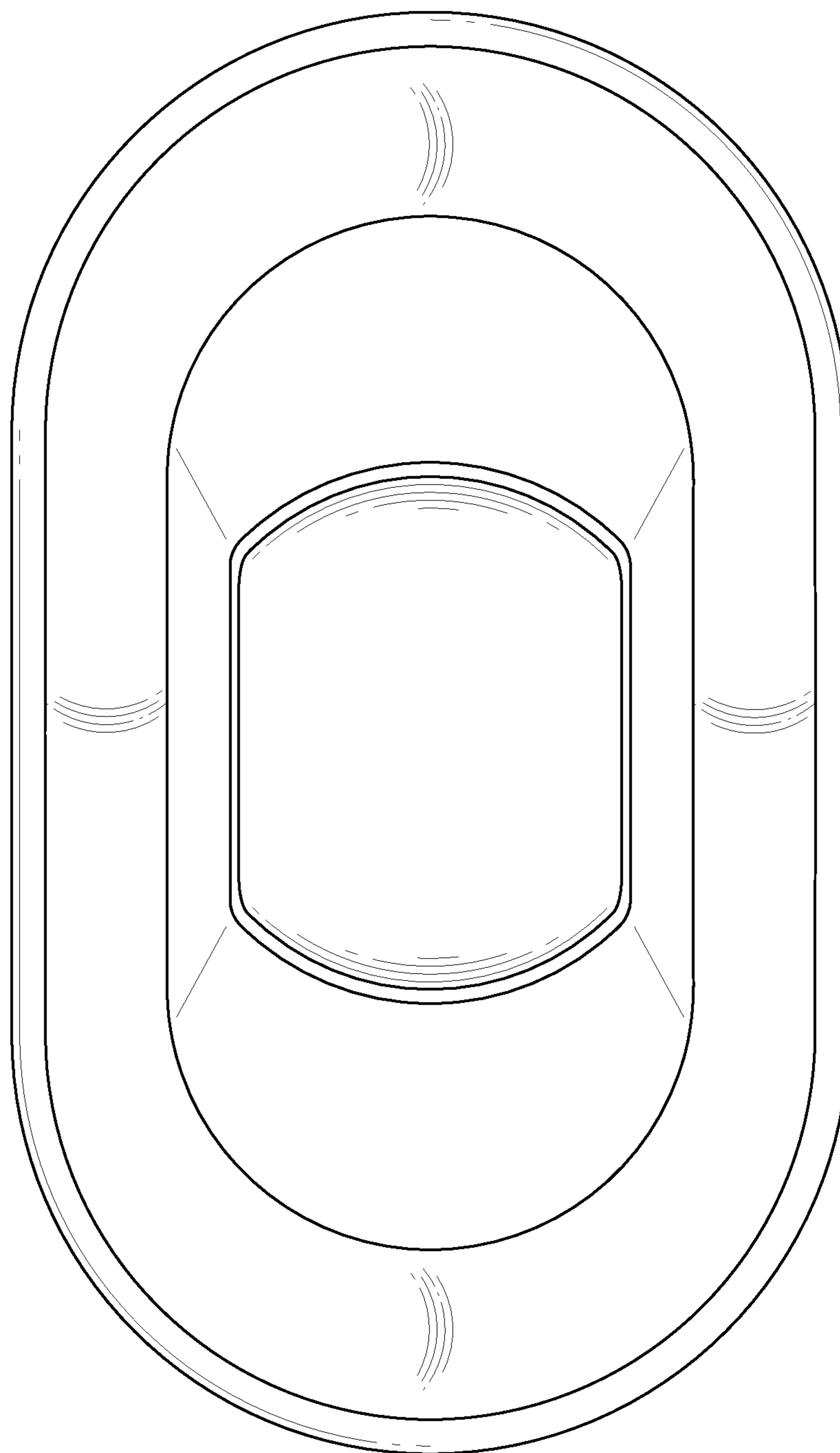


FIG. 3

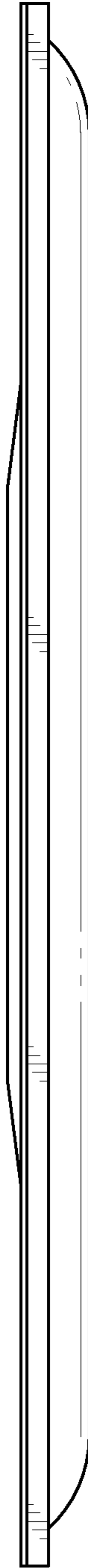


FIG. 4

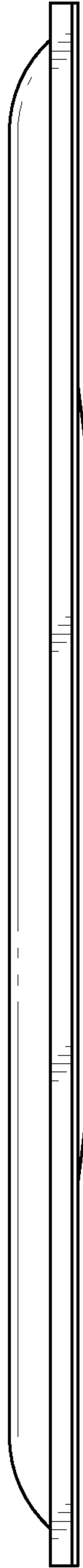


FIG. 5

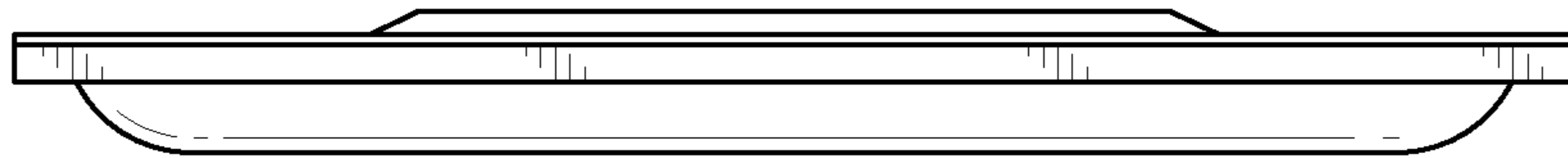


FIG. 6

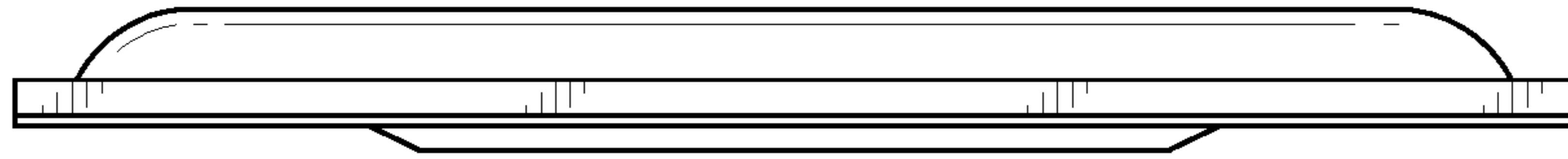


FIG. 7

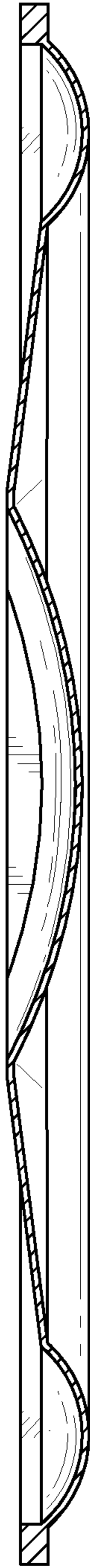


FIG. 8

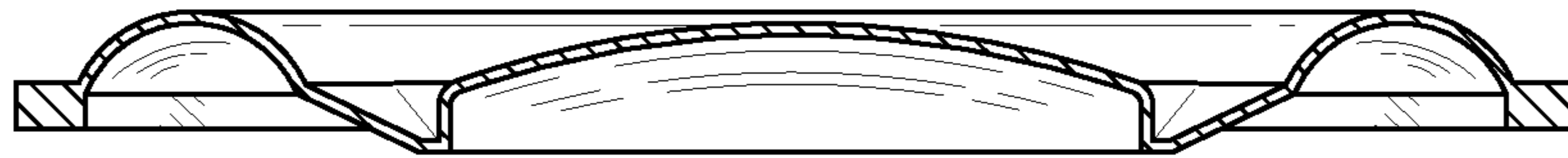


FIG. 9