



US00D682809S

(12) **United States Design Patent**  
**Fletcher et al.**

(10) **Patent No.:** **US D682,809 S**  
(45) **Date of Patent:** **\*\* May 21, 2013**

(54) **CORDED HEADSET**

(75) Inventors: **Jodie Elizabeth Fletcher**, Ottawa (CA);  
**Robert Alexander Sawatsky**, Carleton  
Place (CA); **Todd Andrew Wood**,  
Toronto (CA); **Ian James Murchison**,  
Toronto (CA); **Anders Fahrendorff**,  
Ottawa (CA)

(73) Assignee: **Research In Motion Limited**, Waterloo,  
Ontario (CA)

(\*\*) Term: **14 Years**

(21) Appl. No.: **29/414,282**

(22) Filed: **Feb. 27, 2012**

(51) **LOC (9) Cl.** ..... **14-01**

(52) **U.S. Cl.**  
USPC ..... **D14/205**

(58) **Field of Classification Search** ..... D14/205,  
D14/206, 223, 192, 218; 181/129, 130, 135;  
379/430, 431, 420.01; 381/380, 381; 455/90.3,  
455/575.1

See application file for complete search history.

(56) **References Cited**

**U.S. PATENT DOCUMENTS**

3,821,647	A *	6/1974	Minasian	.....	455/269
D244,611	S *	6/1977	Gietzen	.....	D13/133
4,646,872	A *	3/1987	Kamon et al.	.....	181/129
4,893,344	A *	1/1990	Tragardh et al.	.....	381/381
D311,007	S *	10/1990	Daido	.....	D14/205
D318,670	S *	7/1991	Taniguchi	.....	D14/205
5,247,293	A *	9/1993	Nakagawa	.....	340/4.42
6,122,369	A *	9/2000	Hwang et al.	.....	379/420.04
6,198,821	B1 *	3/2001	Yang	.....	379/420.04
D469,755	S *	2/2003	Hlas et al.	.....	D14/223
D470,123	S *	2/2003	Hlas et al.	.....	D14/205
D511,157	S *	11/2005	Johnson	.....	D14/223
D558,735	S *	1/2008	Carr et al.	.....	D14/206

D567,185	S *	4/2008	Mayo et al.	.....	D13/158
D568,291	S *	5/2008	Andre et al.	.....	D14/205
D569,841	S *	5/2008	Chung et al.	.....	D14/205
D578,508	S *	10/2008	Wang	.....	D14/206
D582,389	S *	12/2008	Bose et al.	.....	D14/205
D582,889	S *	12/2008	Bose et al.	.....	D14/205
D589,491	S *	3/2009	Andre et al.	.....	D14/205
D590,371	S *	4/2009	Leinvuo	.....	D14/205
D591,264	S *	4/2009	Hong et al.	.....	D14/205
D595,690	S *	7/2009	Fullerton	.....	D14/205
D599,778	S *	9/2009	Ando	.....	D14/205
D599,779	S *	9/2009	Ando	.....	D14/205
D636,756	S *	4/2011	Fahrendorff et al.	.....	D14/205
D637,998	S *	5/2011	Brunner et al.	.....	D14/205
D643,414	S *	8/2011	Lee et al.	.....	D14/223
D652,817	S *	1/2012	Lee et al.	.....	D14/205
D662,079	S *	6/2012	Fahrendorff et al.	.....	D14/205

\* cited by examiner

*Primary Examiner* — Paula Greene

(57) **CLAIM**

We claim the ornamental design for a corded headset, as shown and described.

**DESCRIPTION**

FIG. 1 is a front perspective view of a corded headset showing our new design;

FIG. 2 is a back perspective view thereof;

FIG. 3 is a front elevational view thereof;

FIG. 4 is a back elevational view thereof;

FIG. 5 is a right elevational view thereof;

FIG. 6 is a left elevational view thereof;

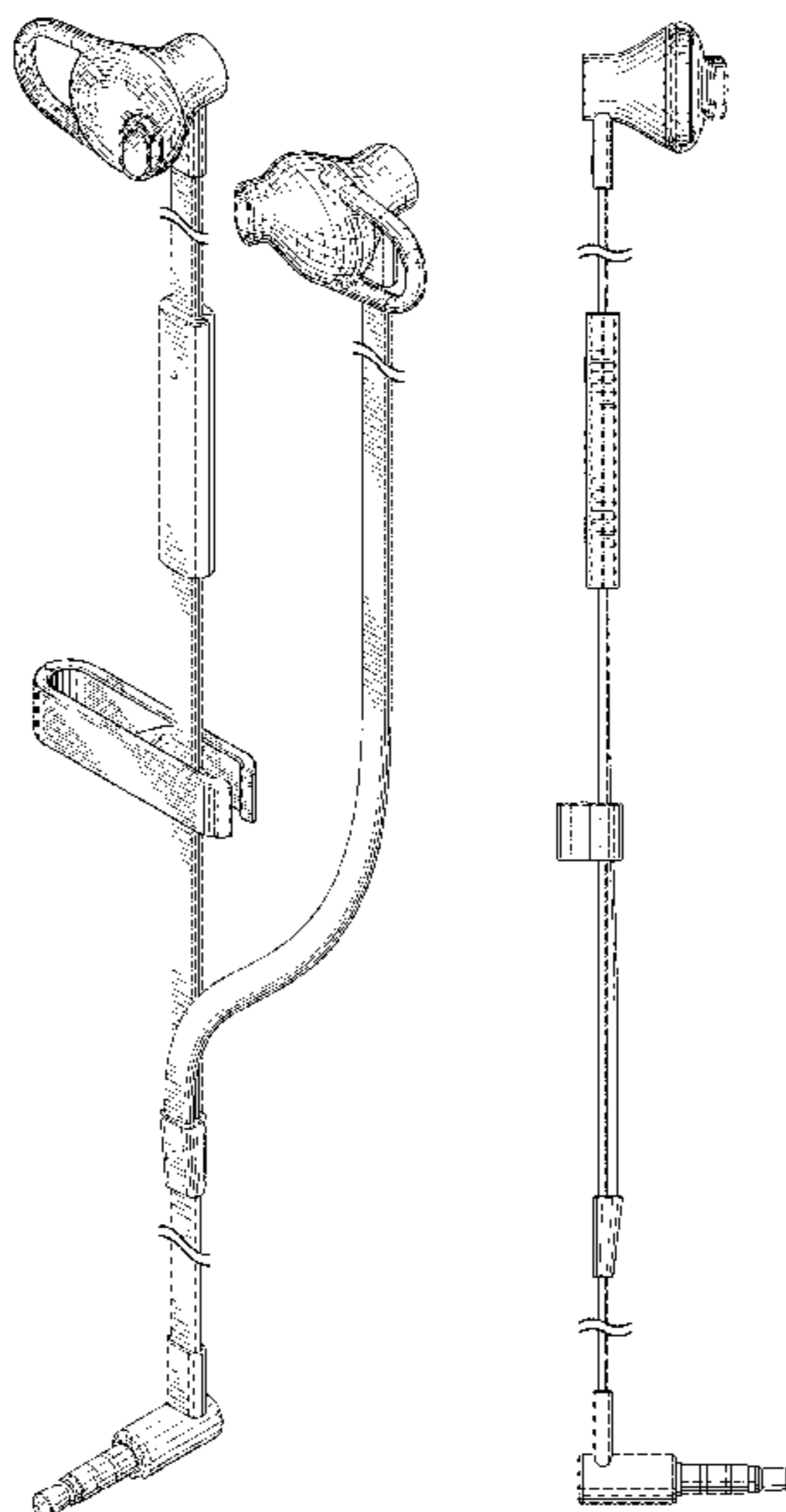
FIG. 7 is a top plan view thereof; and,

FIG. 8 is a bottom plan view thereof.

wherein the cord of the corded headset is shown in FIGS. 1 to 6 with symbolic breaks to indicate an indeterminate length.

The symbolic breaks and portions of the corded headset between adjacent symbolic break indications form no part of the claimed design.

**1 Claim, 6 Drawing Sheets**



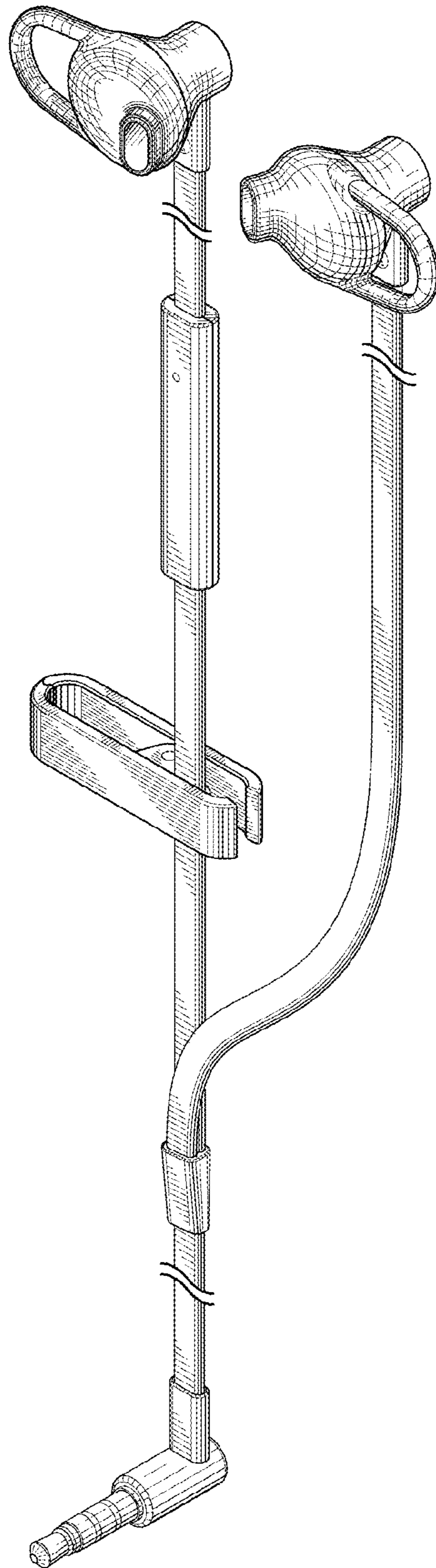


FIG.1

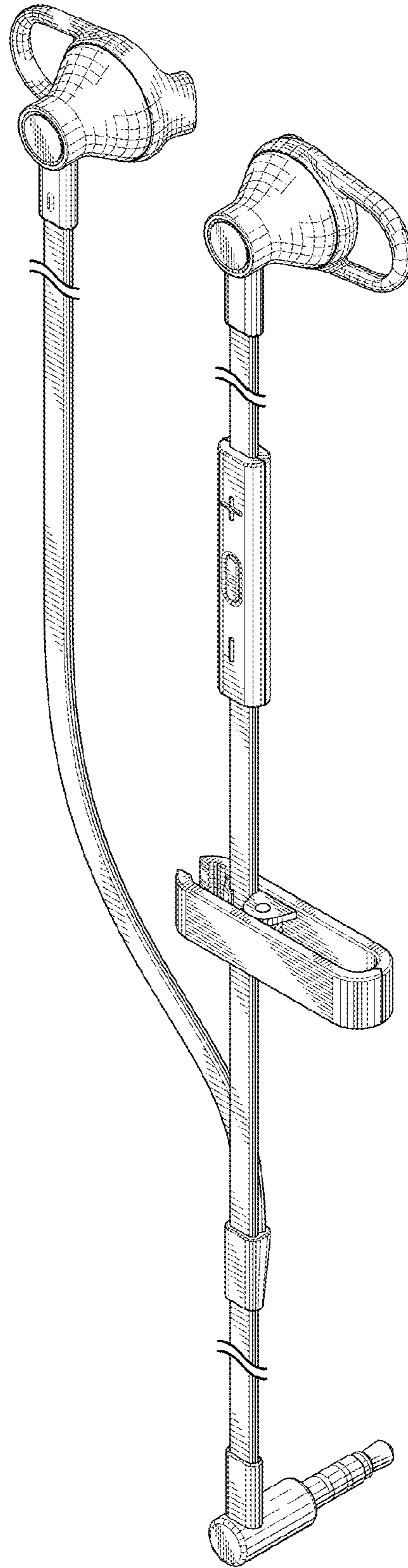


FIG.2

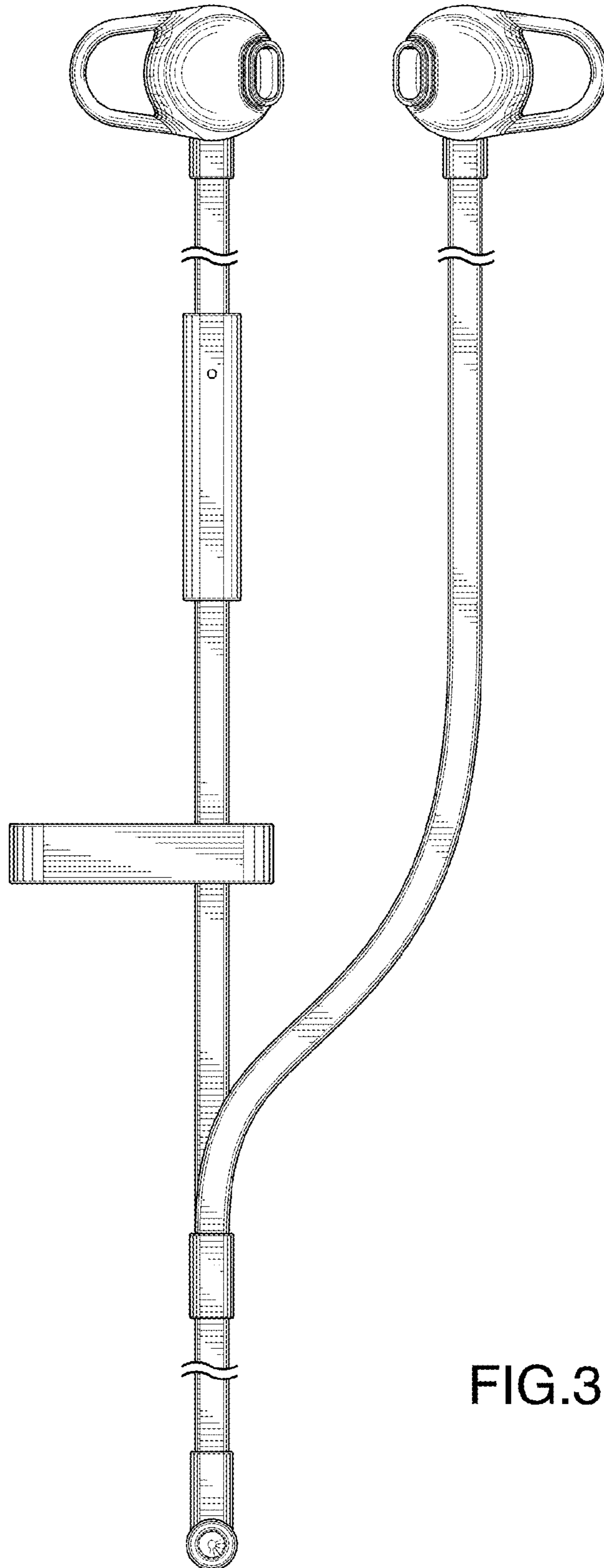


FIG.3

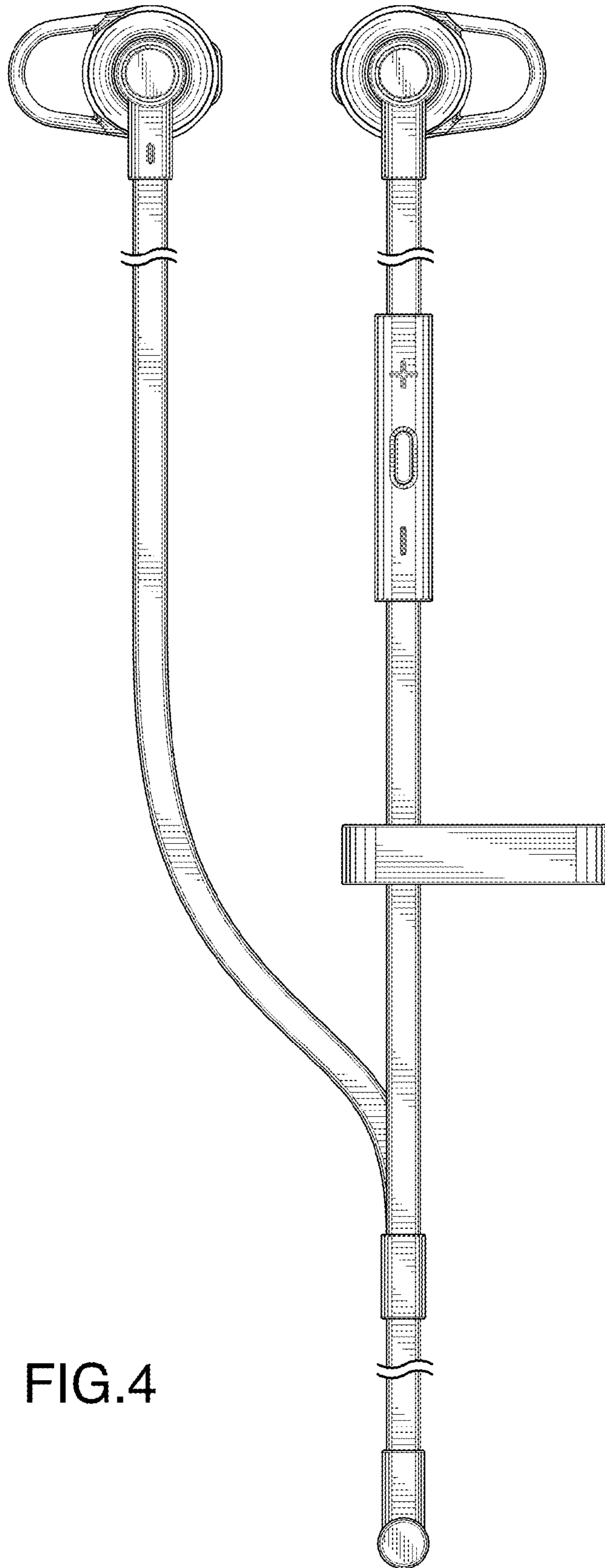


FIG.4

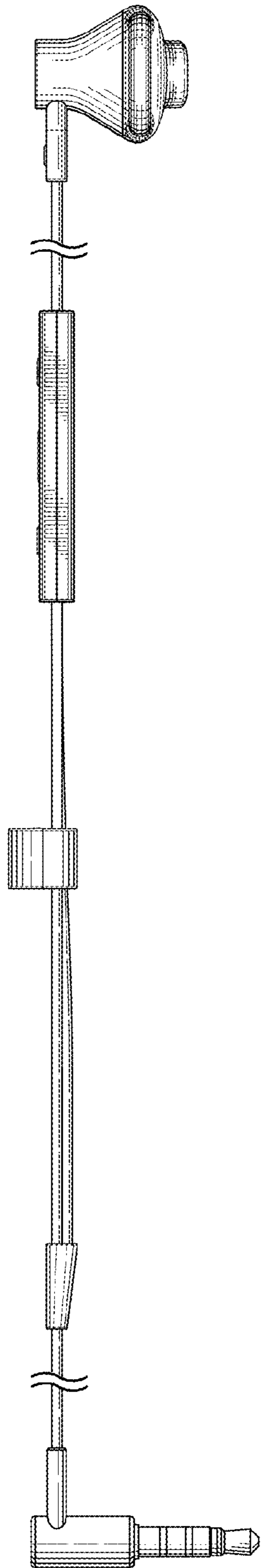


FIG. 5

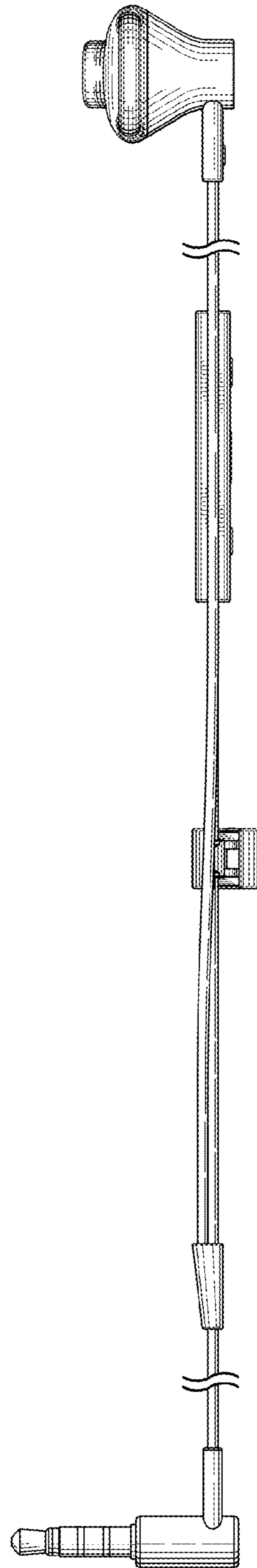


FIG. 6

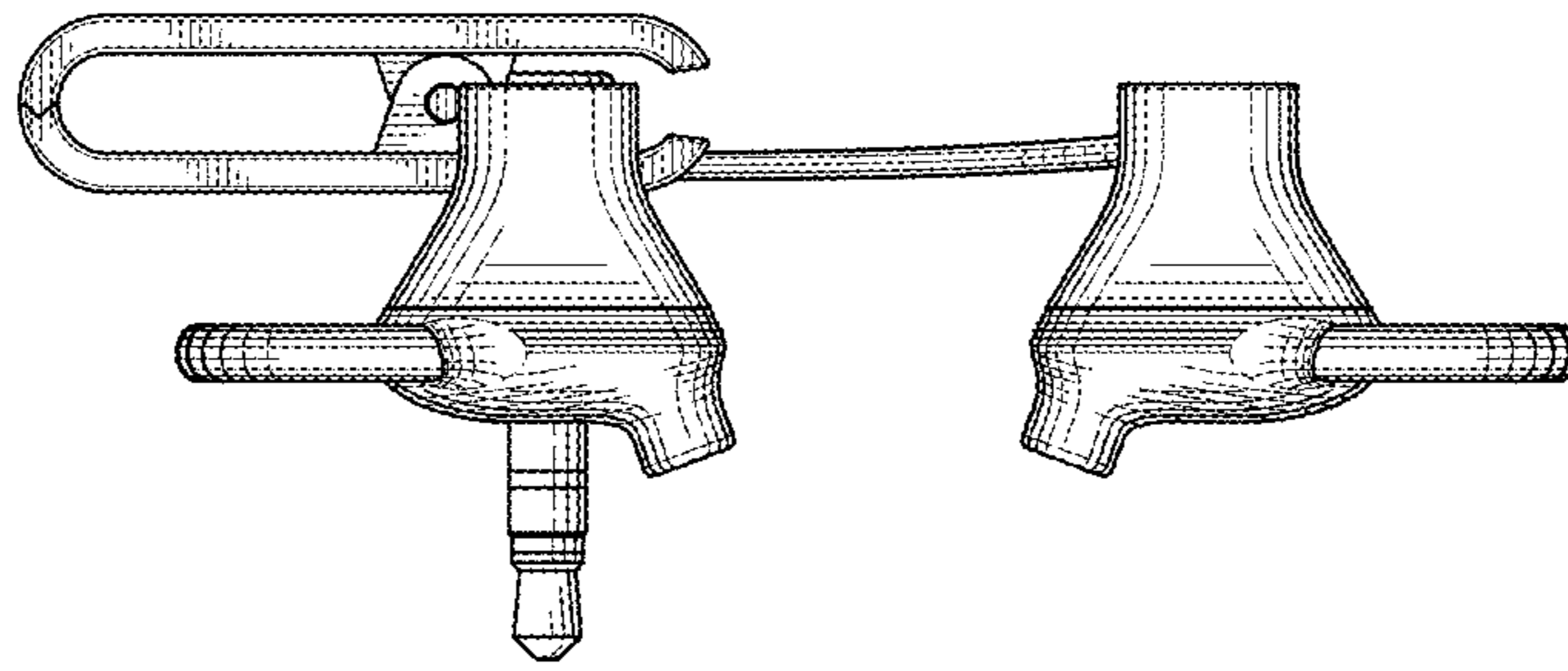


FIG. 7

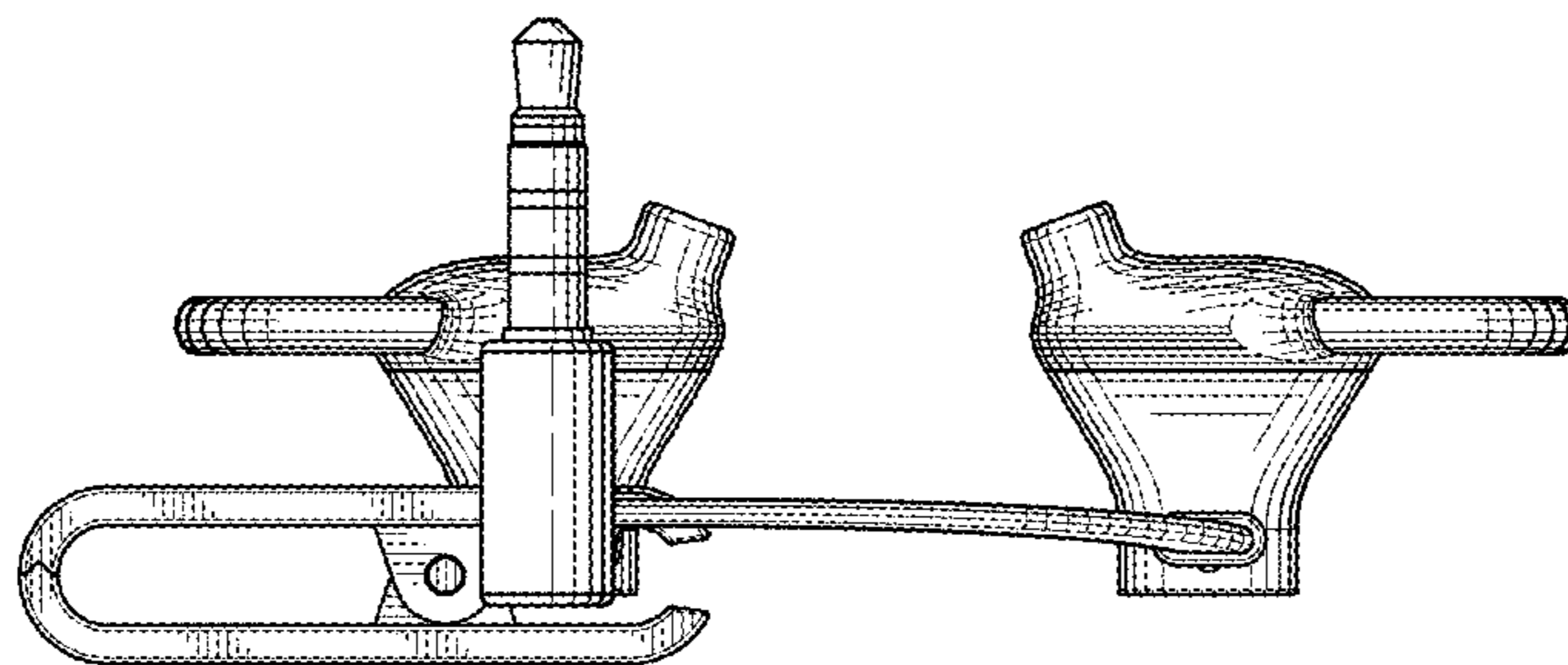


FIG. 8