



US00D682806S

(12) **United States Design Patent**
Smith et al.

(10) **Patent No.:** **US D682,806 S**
(45) **Date of Patent:** **** May 21, 2013**

(54) **ELECTRONIC DEVICE ACCESSORY**

(75) Inventors: **Dustin Jonathan Smith**, Waterloo (CA);
Todd Andrew Wood, Toronto (CA);
Anders Fahrendorff, Ottawa (CA)

(73) Assignee: **Research In Motion Limited**, Waterloo,
Ontario (CA)

(**) Term: **14 Years**

(21) Appl. No.: **29/402,083**

(22) Filed: **Sep. 20, 2011**

(51) **LOC (9) Cl.** **14-03**

(52) **U.S. Cl.**
USPC **D14/155**

(58) **Field of Classification Search**

USPC D14/167, 154, 168, 188, 496, 156,
D14/160, 161, 162, 163, 164, 165, 158, 341,
D14/346, 342, 345, 155, 218, 225; D16/208;
D26/38; 455/351, 350, 575.1, 556.1; D10/104,
D10/106, 65, 57

See application file for complete search history.

(56) **References Cited**

U.S. PATENT DOCUMENTS

D278,707 S * 5/1985 Swinney D14/158
D325,913 S * 5/1992 Takahashi et al. D14/191
D345,965 S * 4/1994 Hankes D14/346
D503,679 S * 4/2005 Andre et al. D13/110
D535,278 S * 1/2007 Hussaini et al. D14/155

D540,774 S * 4/2007 Alwicker et al. D14/155
D551,226 S * 9/2007 Lee et al. D14/341
D561,321 S * 2/2008 Hong D23/370
D577,708 S * 9/2008 von Meiss et al. D14/158
D585,048 S * 1/2009 Uchimura et al. D14/155
D592,177 S * 5/2009 Dobbs et al. D14/158
D595,684 S * 7/2009 Ganley et al. D14/155
D637,174 S * 5/2011 Elkerbout D14/159
D661,248 S * 6/2012 Fahrendorff et al. D13/107
D661,249 S * 6/2012 Smith et al. D13/110

* cited by examiner

Primary Examiner — Austin Murphy

(57) **CLAIM**

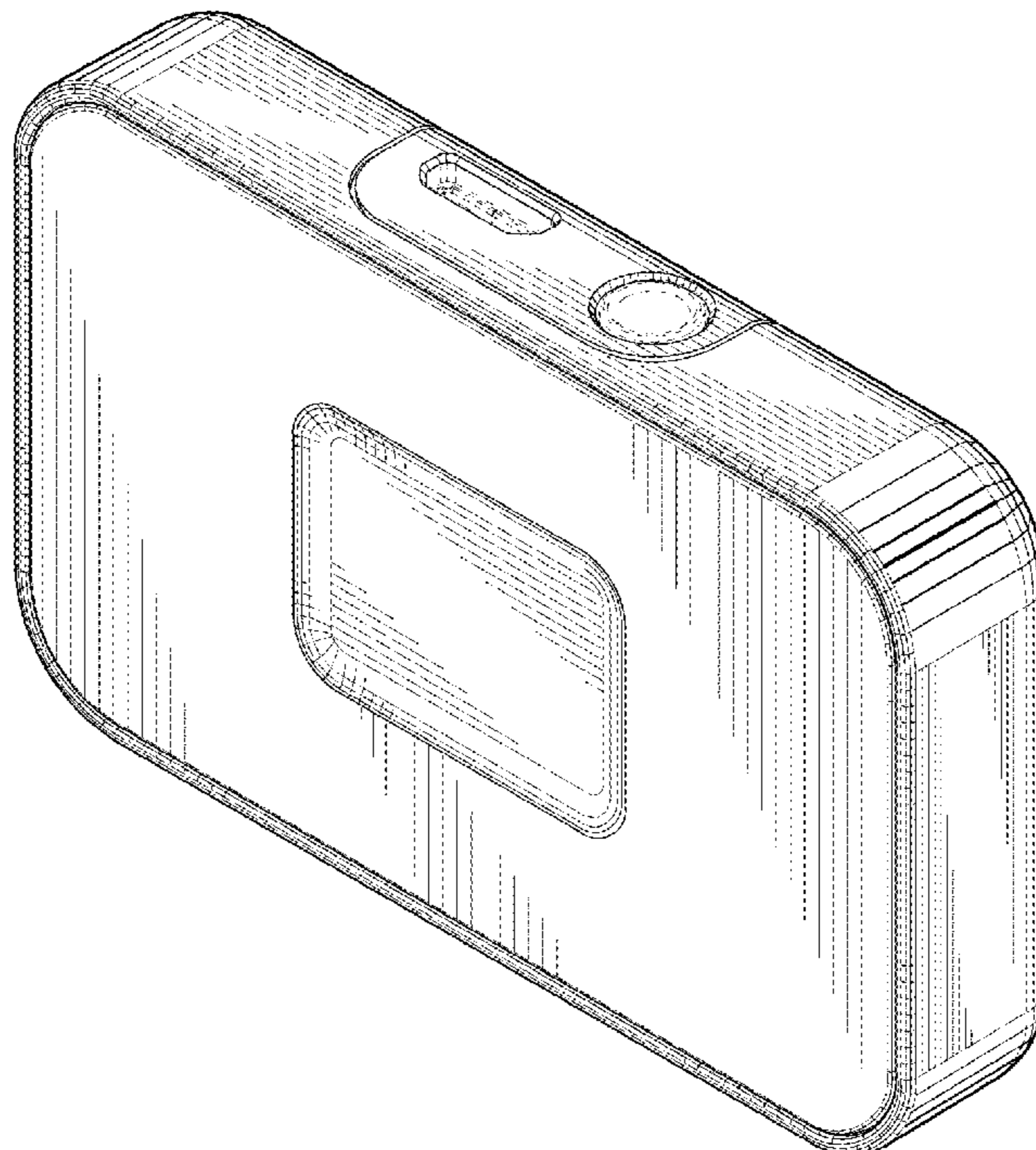
We claim the ornamental design for an electronic device accessory, as shown and described.

DESCRIPTION

FIG. 1 is a front perspective view of an electronic device accessory;
FIG. 2 is a back bottom perspective view of the electronic device accessory;
FIG. 3 is a front elevational view thereof;
FIG. 4 is a back elevational view thereof;
FIG. 5 is a right elevational view thereof;
FIG. 6 is a left elevational view thereof;
FIG. 7 is a top plan view thereof; and,
FIG. 8 is a bottom plan view thereof.

The broken lines shown in the drawings of the electronic device accessory are for the purposes of illustrating portions of the article and form no part of the claimed design.

1 Claim, 6 Drawing Sheets



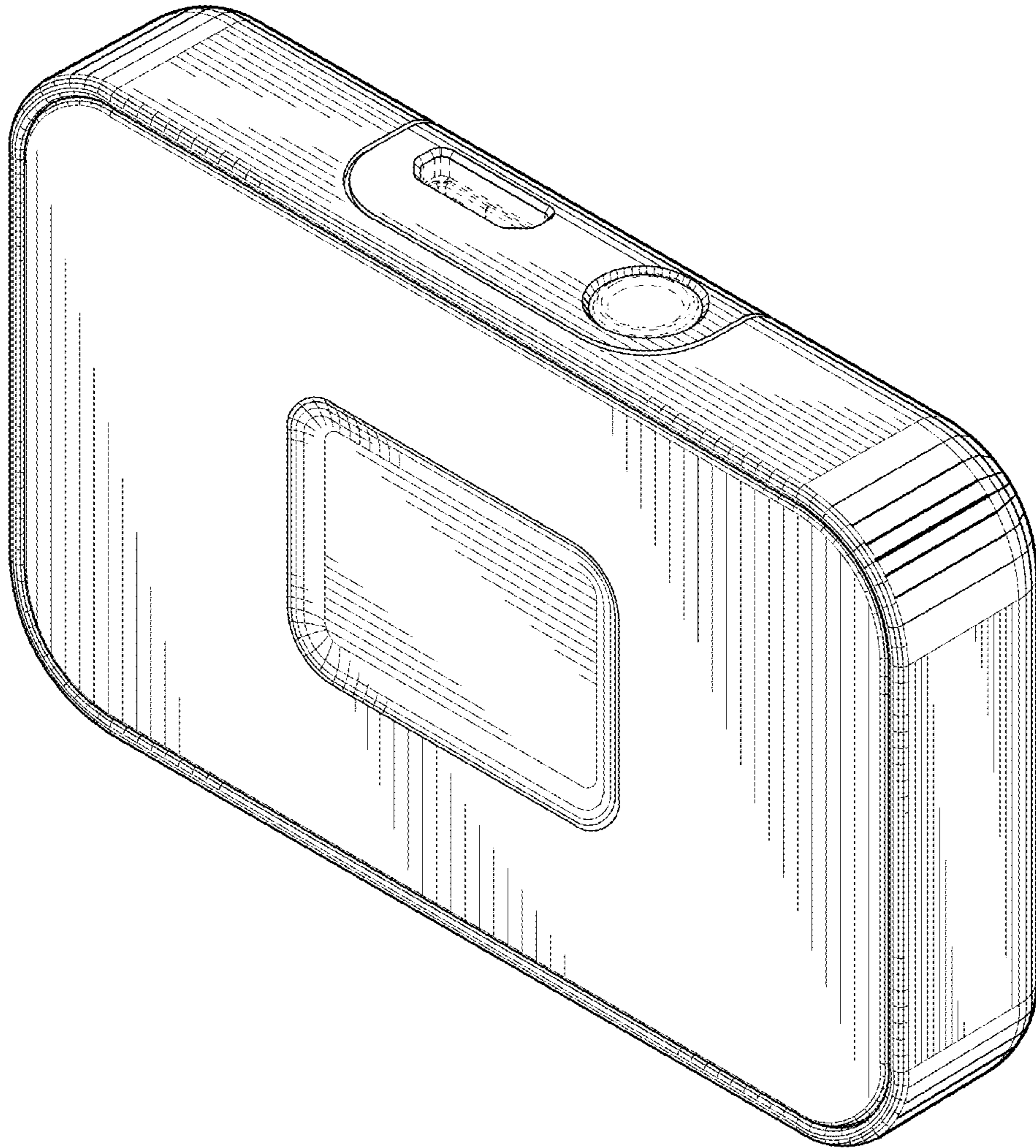


FIG.1

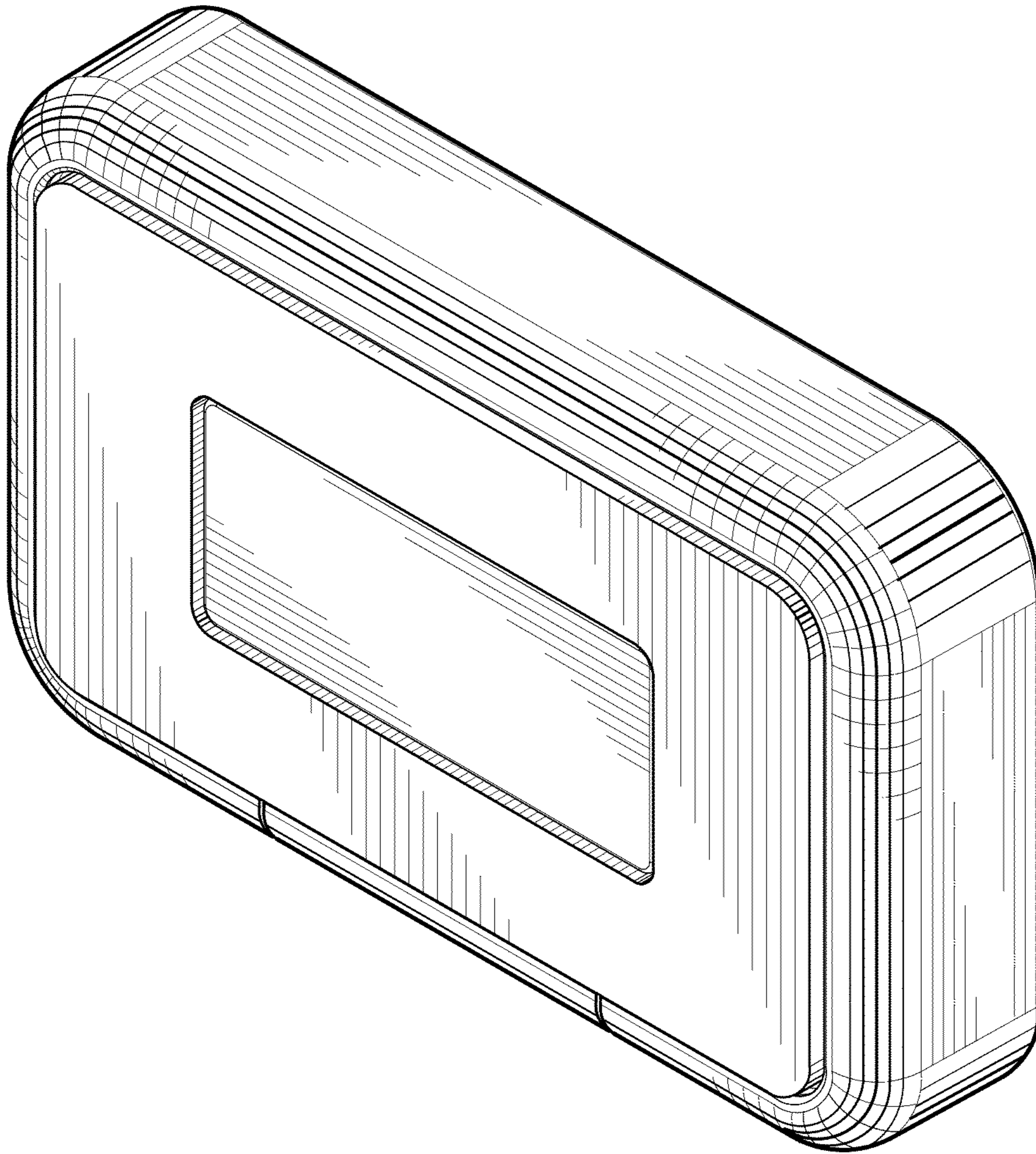


FIG.2

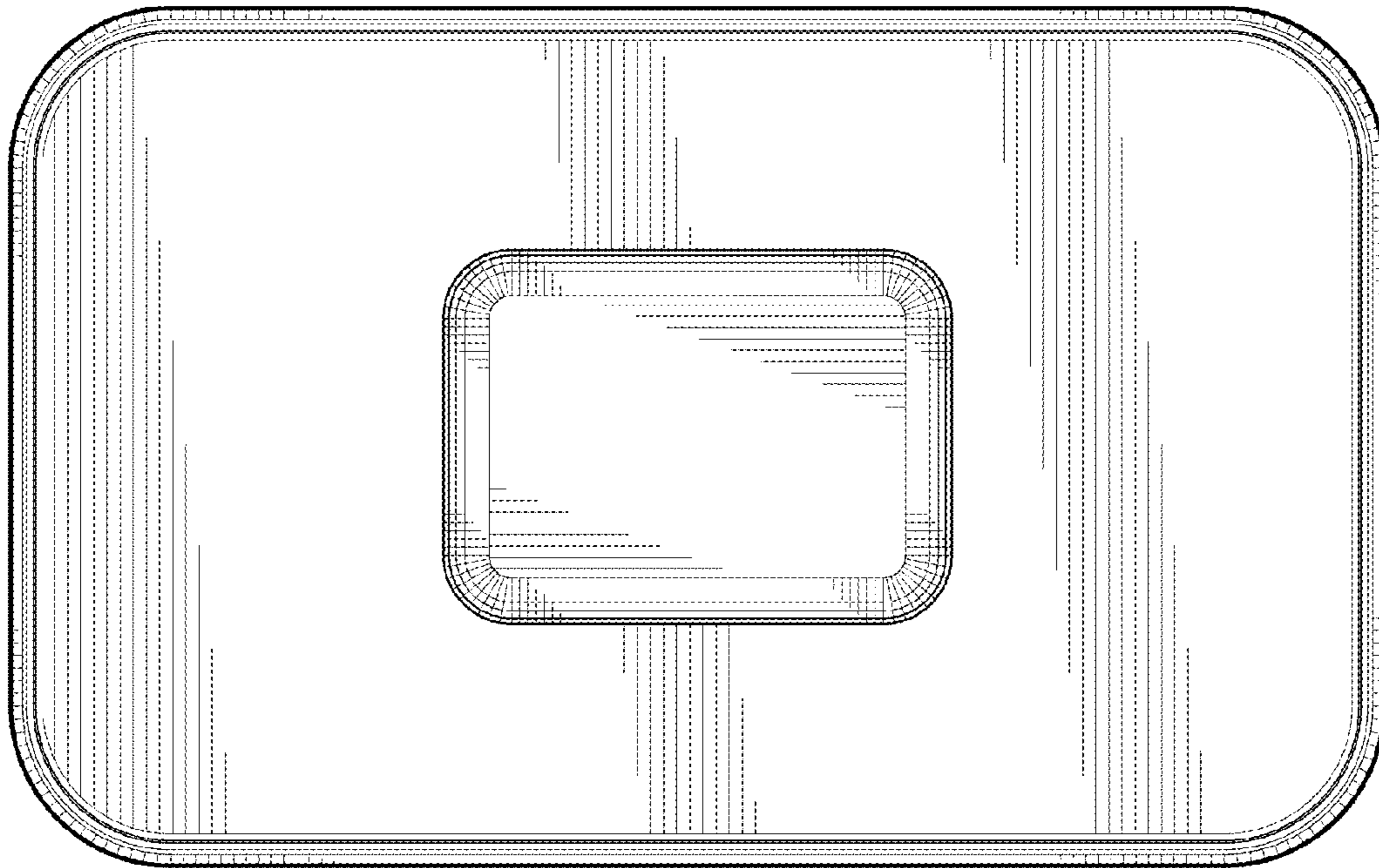


FIG. 3

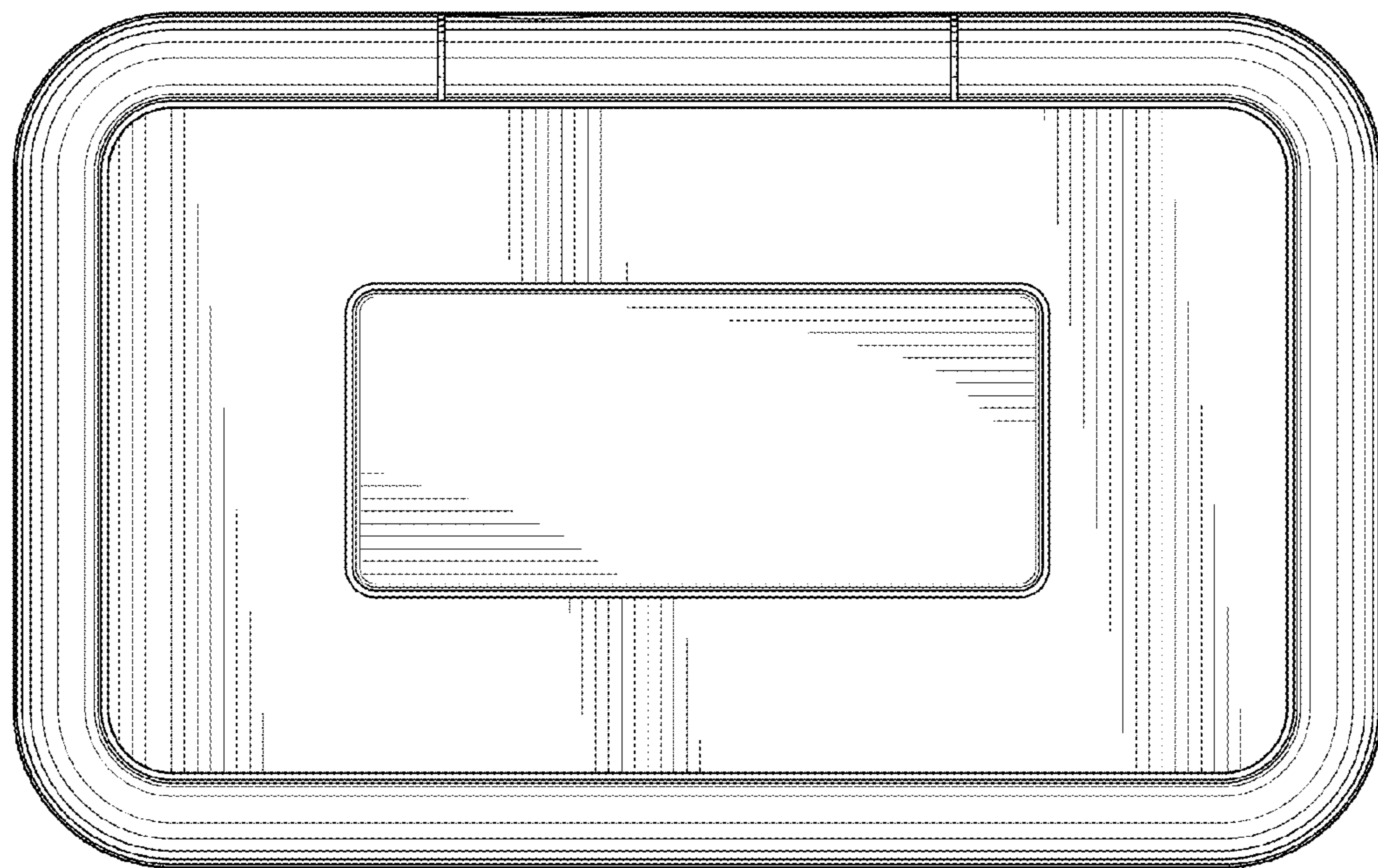


FIG.4

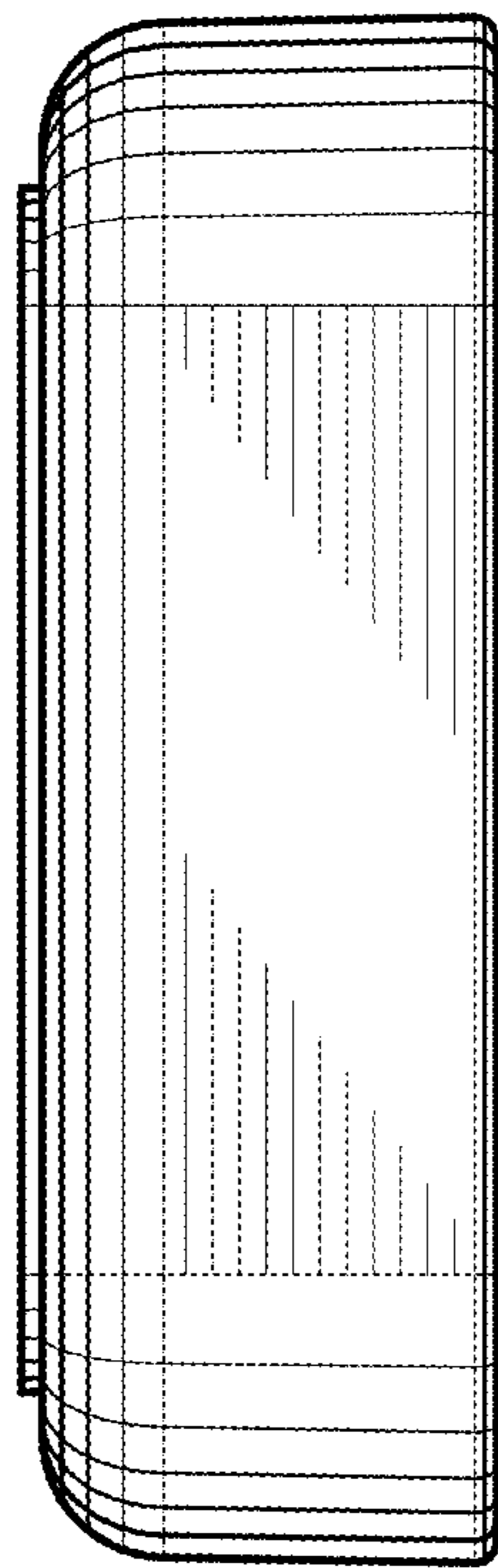


FIG. 5

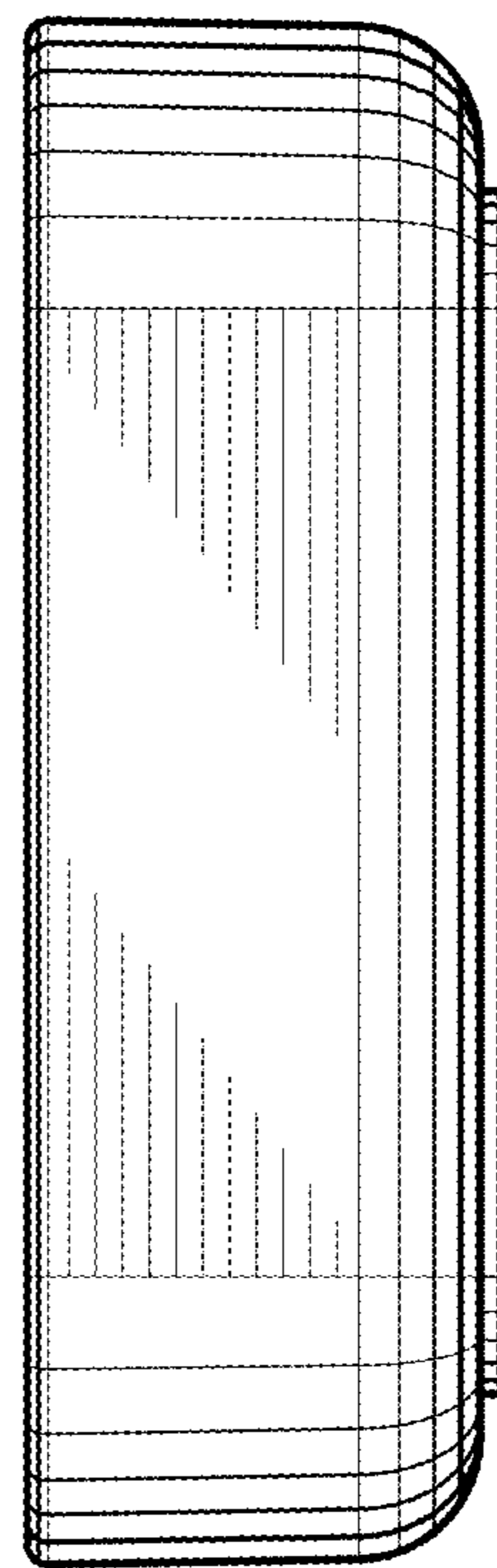


FIG. 6

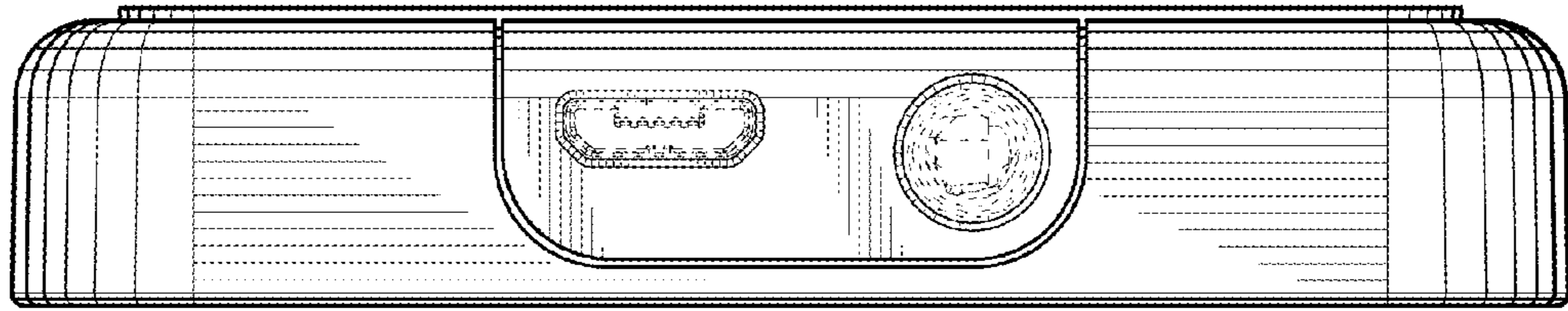


FIG. 7

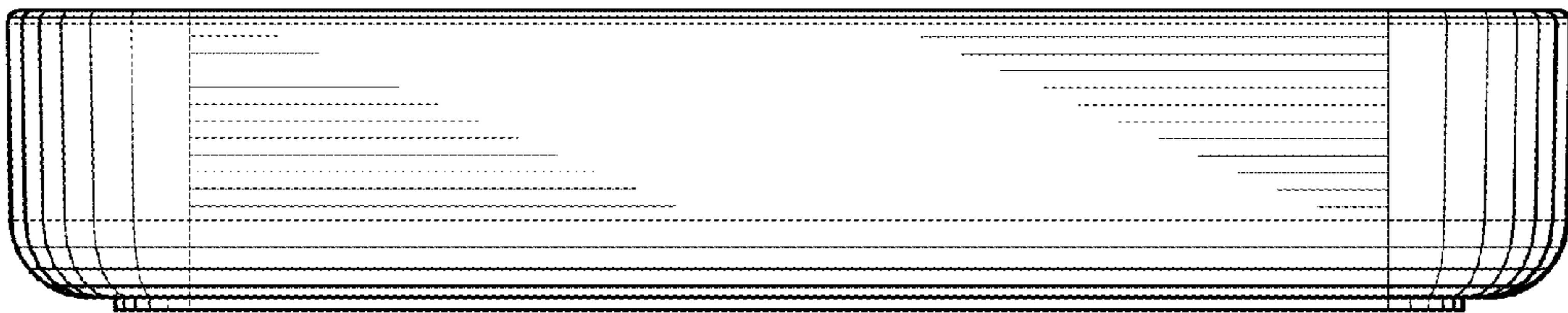


FIG. 8