



US00D682799S

(12) **United States Design Patent**
Hwang Bo et al.

(10) **Patent No.:** **US D682,799 S**
(45) **Date of Patent:** **** May 21, 2013**

(54) **OLED TELEVISION RECEIVER**

(75) Inventors: **Deung Hwang Bo**, Seoul (KR); **Sun Ha Park**, Seoul (KR); **Jae Sung Go**, Gunpo-si (KR)

(73) Assignee: **LG Electronics Inc.**, Seoul (KR)

(**) Term: **14 Years**

(21) Appl. No.: **29/428,425**

(22) Filed: **Jul. 31, 2012**

(30) **Foreign Application Priority Data**

Feb. 3, 2012 (KR) 30-2012-0005185

(51) **LOC (9) Cl.** **14-03**

(52) **U.S. Cl.**
USPC **D14/126**

(58) **Field of Classification Search** D14/125-134,
D14/239, 371, 136, 374-377, 440, 450, 448,
D14/336, 342, 159; 312/7.2; 348/836, 838,
348/180, 184, 325, 739; 341/12; 248/917-924,
248/465; 345/104, 133, 156, 168, 87, 173;
720/605, 669, 600, 655; 369/99, 197; 455/344,
455/347; D21/329, 515, 577, 622, 333, 433,
D21/448, 452, 450, 331; D6/477, 479, 300;
273/148 B; 446/484, 175, 356; D10/15,
D10/26

See application file for complete search history.

(56) **References Cited**

U.S. PATENT DOCUMENTS

| | | | | |
|--------------|---------|---------------|-------|---------|
| D554,599 S * | 11/2007 | Otsuka et al. | | D14/126 |
| D584,256 S * | 1/2009 | Kita | | D14/126 |
| D584,257 S * | 1/2009 | Kita | | D14/126 |
| D626,927 S * | 11/2010 | Honda | | D14/126 |
| D634,723 S * | 3/2011 | Park et al. | | D14/126 |
| D656,114 S * | 3/2012 | Miyaji | | D14/126 |
| D661,272 S * | 6/2012 | Kim et al. | | D14/126 |
| D663,706 S * | 7/2012 | Cha et al. | | D14/126 |
| D668,237 S * | 10/2012 | Chino et al. | | D14/126 |
| D670,670 S * | 11/2012 | Kim et al. | | D14/126 |

* cited by examiner

Primary Examiner — Raphael Barkai

(74) *Attorney, Agent, or Firm* — Morgan, Lewis & Bockius LLP

(57) **CLAIM**

We claim the ornamental design for an OLED television receiver, as shown and described.

DESCRIPTION

FIG. 1 is a perspective view of an OLED television receiver showing our new design:

FIG. 2 is a front elevation view thereof;

FIG. 3 is a rear elevation view thereof;

FIG. 4 is a left-side elevation view thereof;

FIG. 5 is a right-side elevation view thereof;

FIG. 6 is a top plan view thereof; and,

FIG. 7 is a bottom plan view thereof.

1 Claim, 4 Drawing Sheets

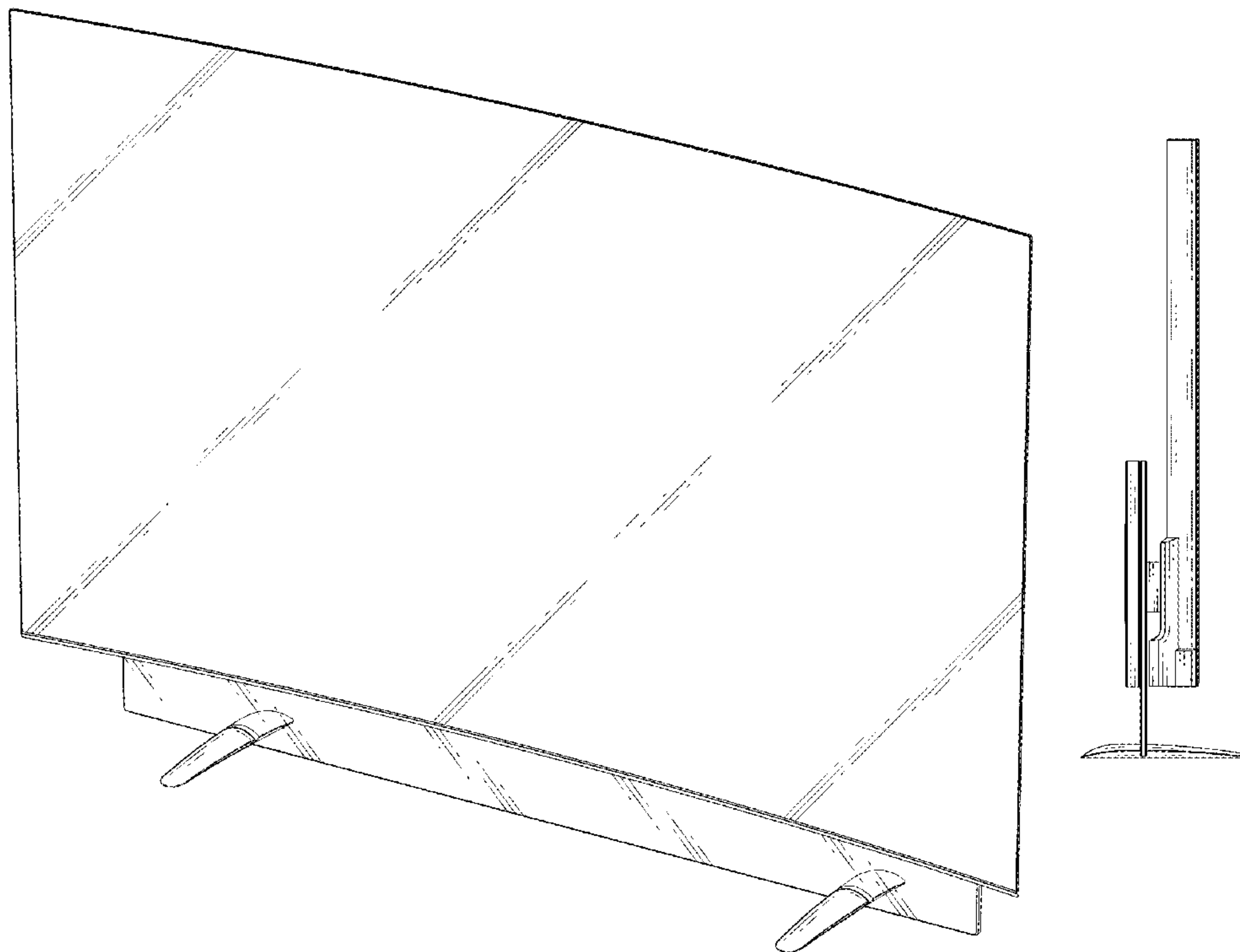


FIG. 1

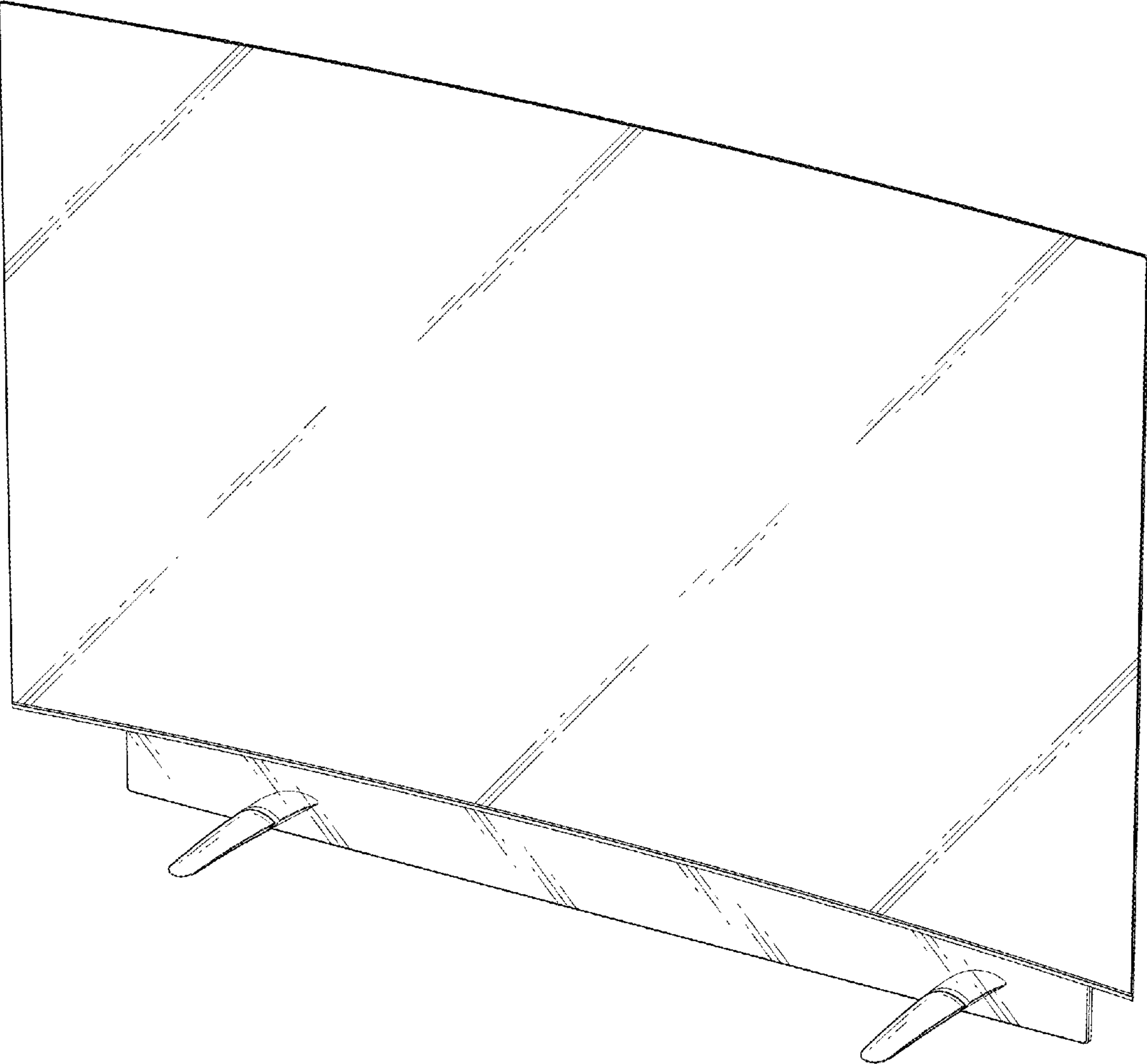


FIG. 2

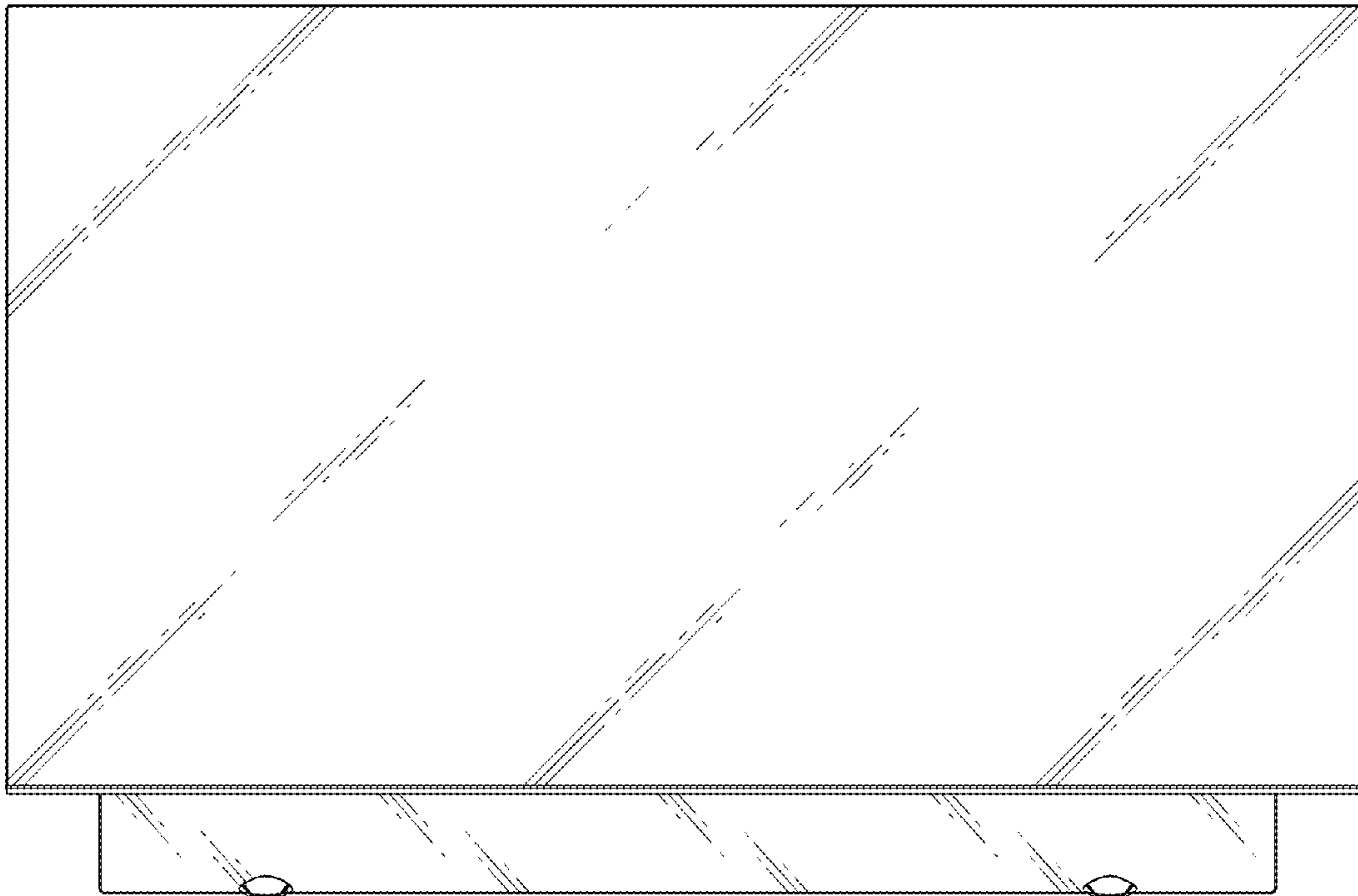


FIG. 3

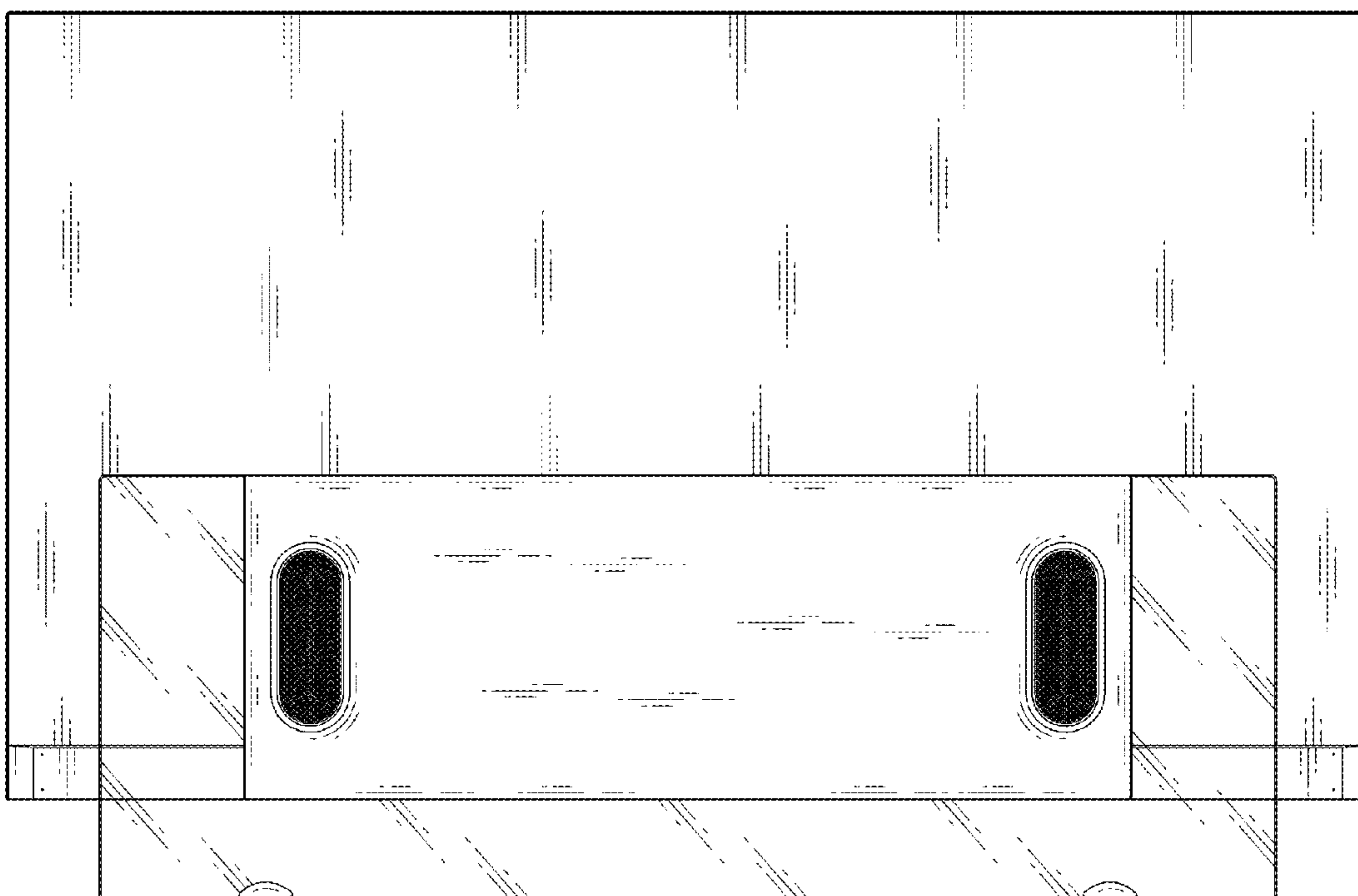


FIG. 4

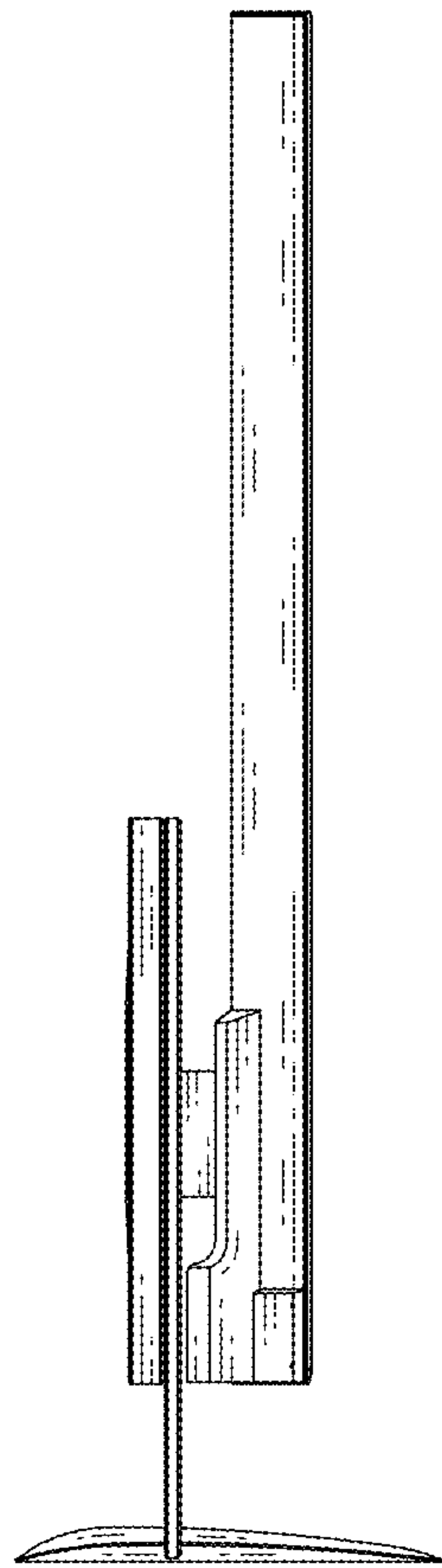


FIG. 5

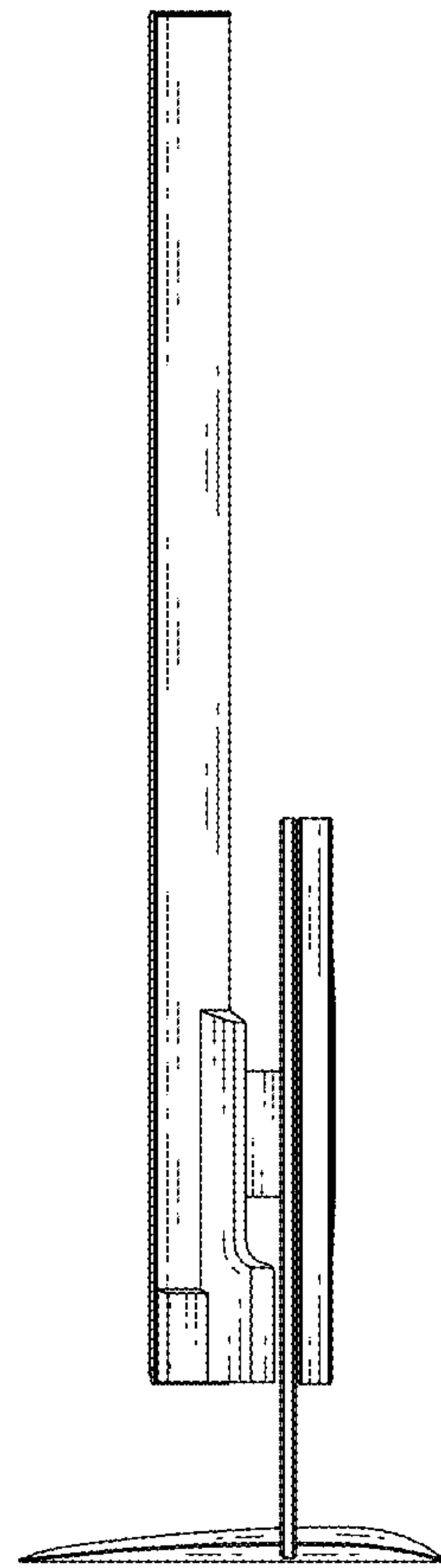


FIG.6

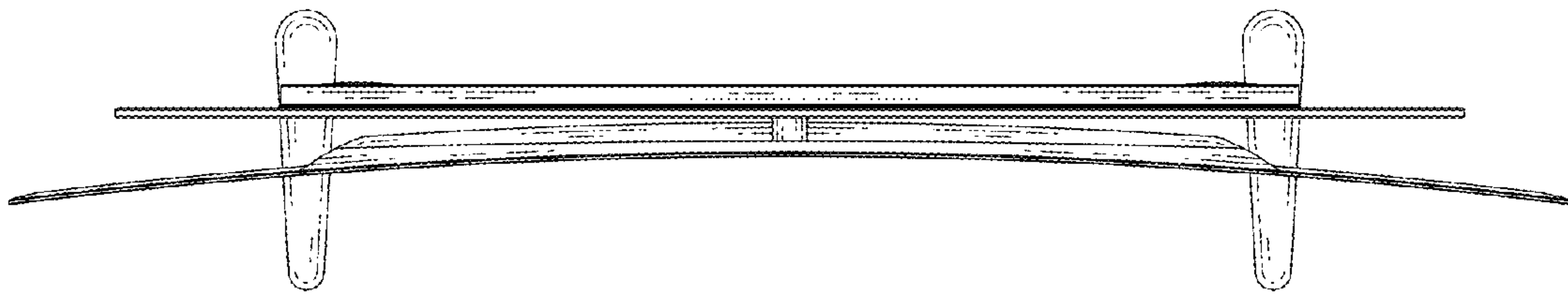


FIG.7

