



US00D682796S

(12) **United States Design Patent**  
**Hsu et al.**

(10) **Patent No.:** **US D682,796 S**

(45) **Date of Patent:** **\*\* May 21, 2013**

(54) **LIGHT EMITTING DIODE**

(75) Inventors: **Chia-Liang Hsu**, Hsinchu (TW);  
**Pang-Yen Liu**, Hsinchu (TW)

(73) Assignee: **Epistar Corporation**, Hsinchu (TW)

(\*\*) Term: **14 Years**

(21) Appl. No.: **29/418,038**

(22) Filed: **Apr. 11, 2012**

**Related U.S. Application Data**

(63) Continuation of application No. 29/391,152, filed on May 4, 2011, now Pat. No. Des. 660,258.

(51) **LOC (9) Cl.** ..... **13-03**

(52) **U.S. Cl.**  
USPC ..... **D13/180**

(58) **Field of Classification Search** ..... D13/180;  
D26/1, 2; 257/79, 80, 81, 88, 89, 95, 98,  
257/99, 100, E33.058; 313/483, 498, 500;  
362/555, 800

See application file for complete search history.

(56) **References Cited**

**U.S. PATENT DOCUMENTS**

D591,695 S	5/2009	Oh et al.	
D593,514 S	6/2009	Plonski et al.	
D596,590 S	7/2009	Plonski et al.	
D628,169 S	11/2010	Yamada	
D631,019 S	1/2011	Wang et al.	
8,044,424 B2	10/2011	Urano et al.	
D658,606 S *	5/2012	Shimizu et al.	D13/180
D660,258 S *	5/2012	Hsu et al.	D13/180
2010/0224890 A1	9/2010	Keller et al.	

\* cited by examiner

*Primary Examiner* — Selina Sikder

(74) *Attorney, Agent, or Firm* — Muncy, Geissler, Olds & Lowe, PLLC

(57) **CLAIM**

The ornamental design for a light emitting diode, as shown and described.

**DESCRIPTION**

FIG. 1 is a perspective view of the first embodiment showing the claimed design;

FIG. 2 is a front elevational view of FIG. 1;

FIG. 3 is a rear elevational view of FIG. 1;

FIG. 4 is a left side elevational view of FIG. 1;

FIG. 5 is a right side elevational view of FIG. 1;

FIG. 6 is a top plan view of FIG. 1;

FIG. 7 is a bottom plan view of FIG. 1;

FIG. 8 is a reference perspective view of FIG. 1;

FIG. 9 is a perspective view of the second embodiment showing the claimed design;

FIG. 10 is a front elevational view of FIG. 9;

FIG. 11 is a rear elevational view of FIG. 9;

FIG. 12 is a left side elevational view of FIG. 9;

FIG. 13 is a right side elevational view of FIG. 9;

FIG. 14 is a top plan view of FIG. 9;

FIG. 15 is a bottom plan view of FIG. 9;

FIG. 16 is a reference perspective view of FIG. 9;

FIG. 17 is a perspective view of the third embodiment showing the claimed design;

FIG. 18 is a front elevational view of FIG. 17;

FIG. 19 is a rear elevational view of FIG. 17;

FIG. 20 is a left side elevational view of FIG. 17;

FIG. 21 is a right side elevational view of FIG. 17;

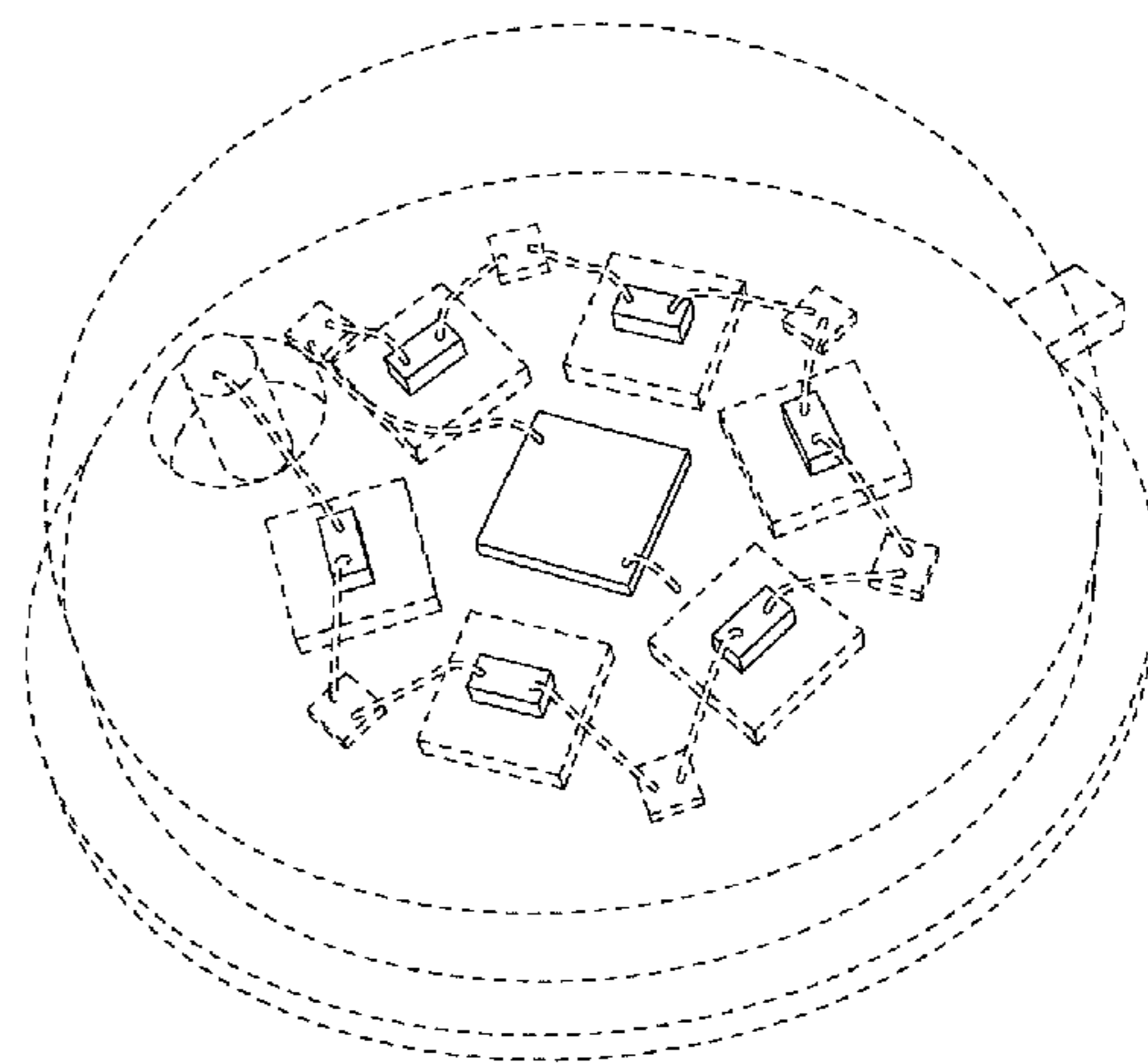
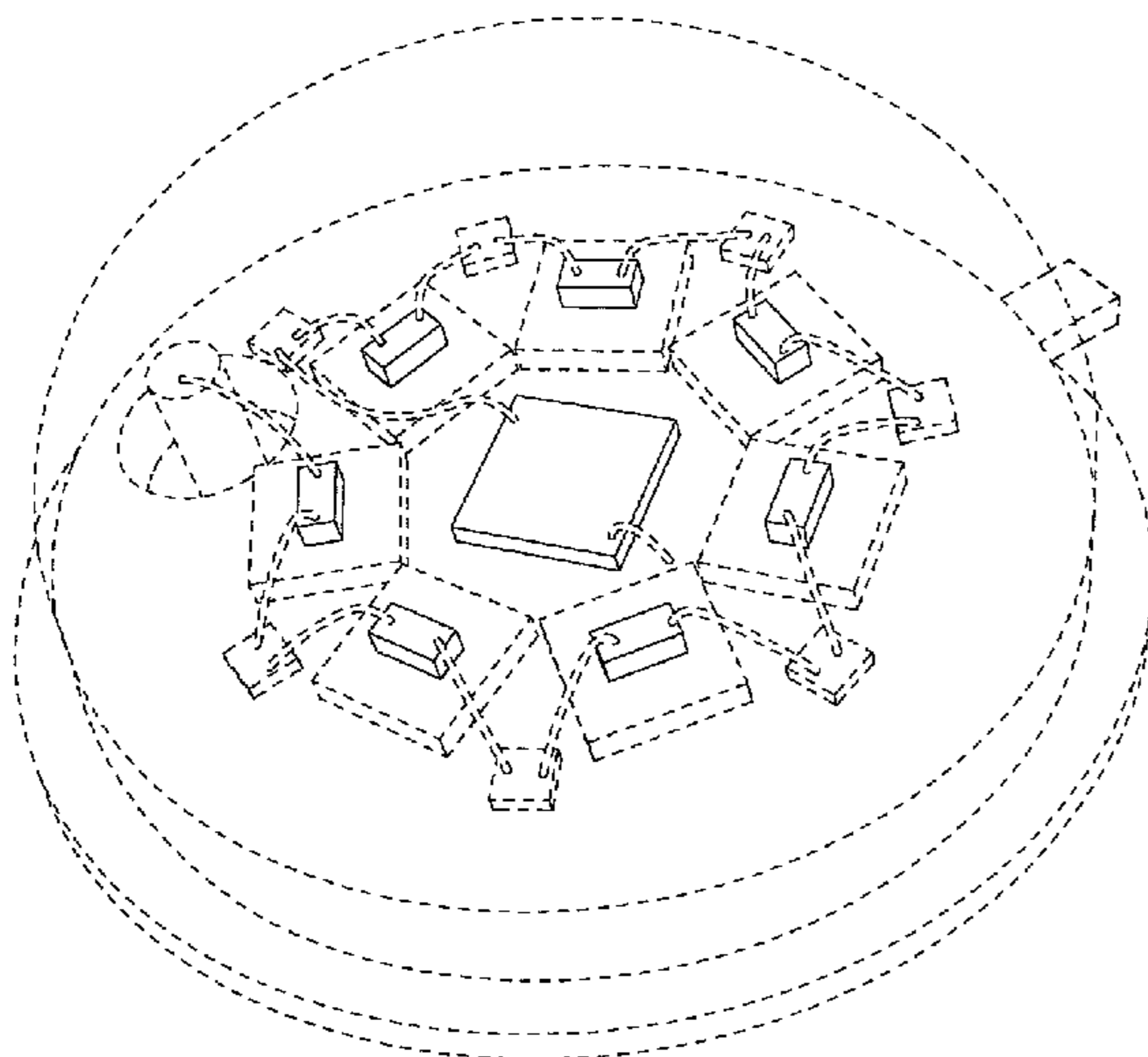
FIG. 22 is a top plan view of FIG. 17;

FIG. 23 is a bottom plan view of FIG. 17; and,

FIG. 24 is a reference perspective view of FIG. 17.

The broken lines are directed to environment and are for illustrative purpose only; the broken lines form no part of the claimed design.

**1 Claim, 24 Drawing Sheets**



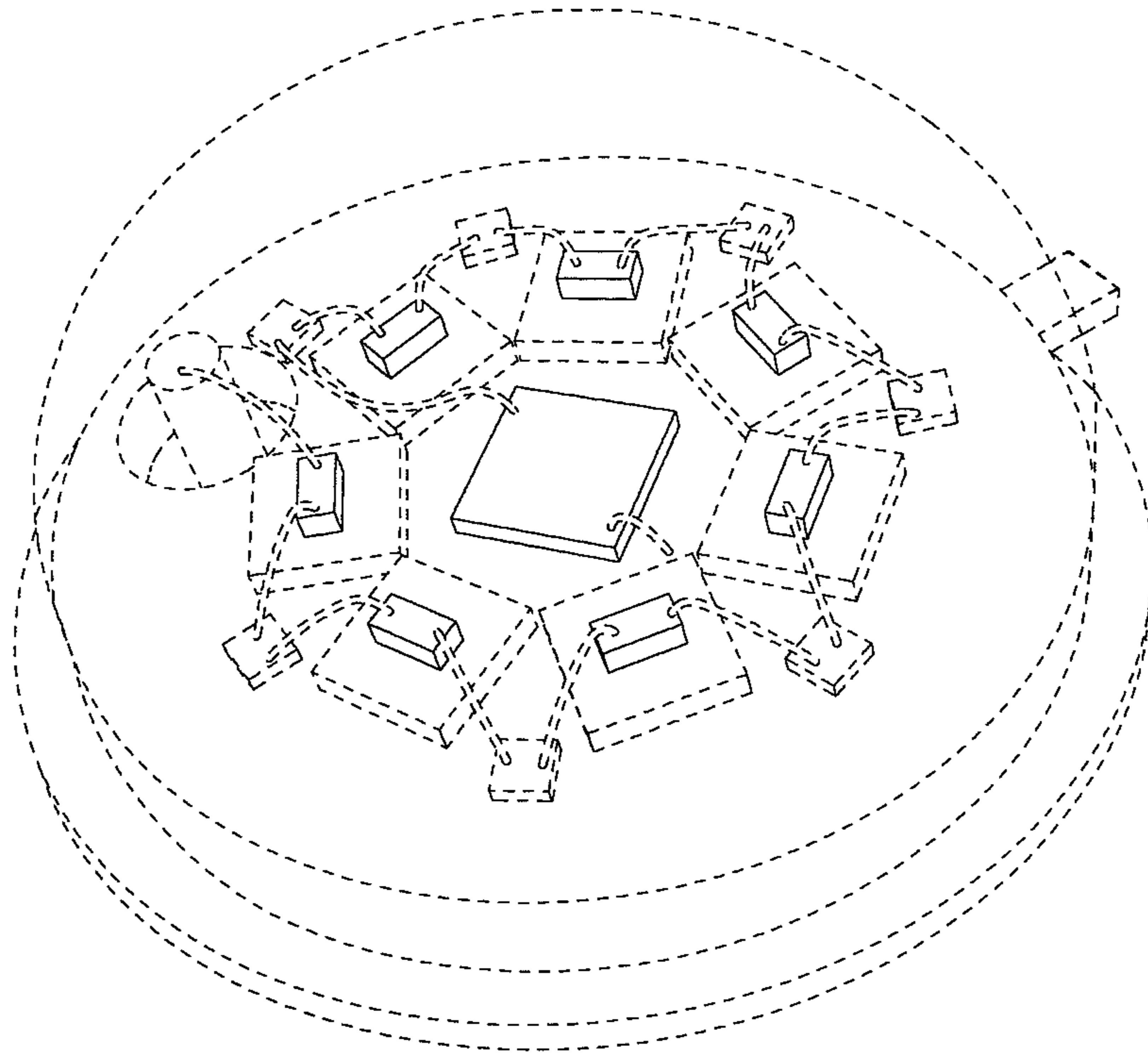


FIG.1

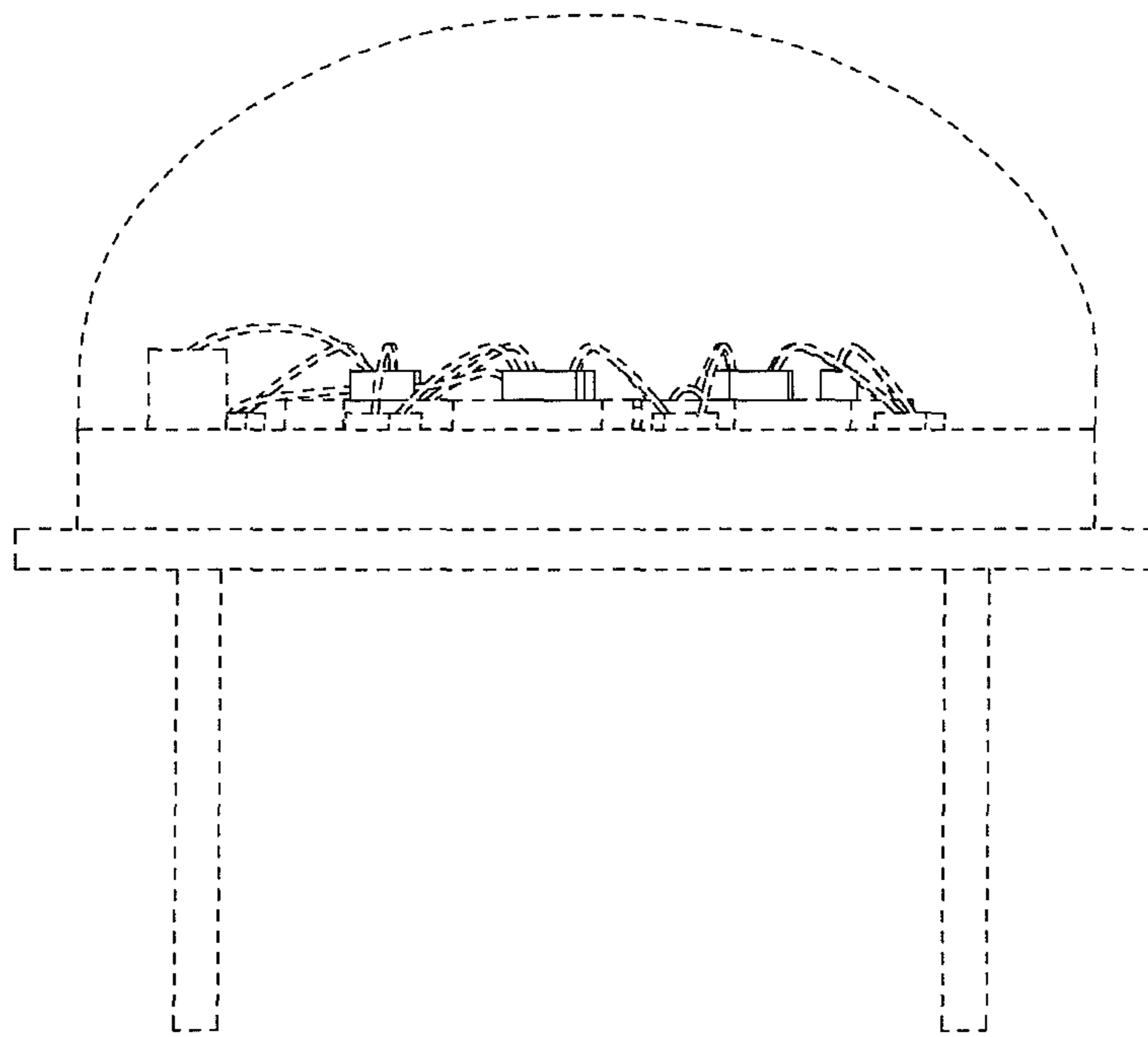


FIG.2

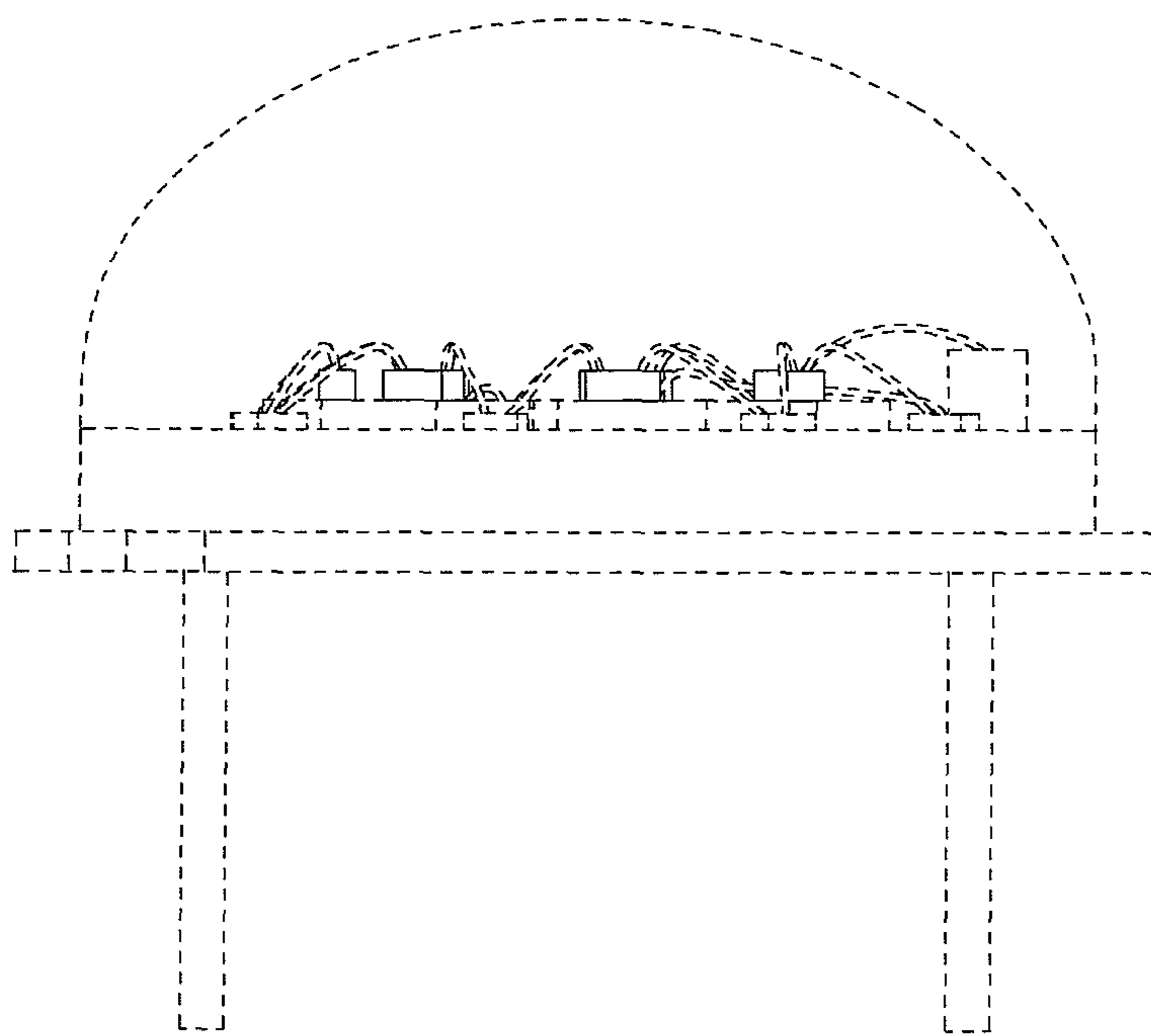


FIG.3

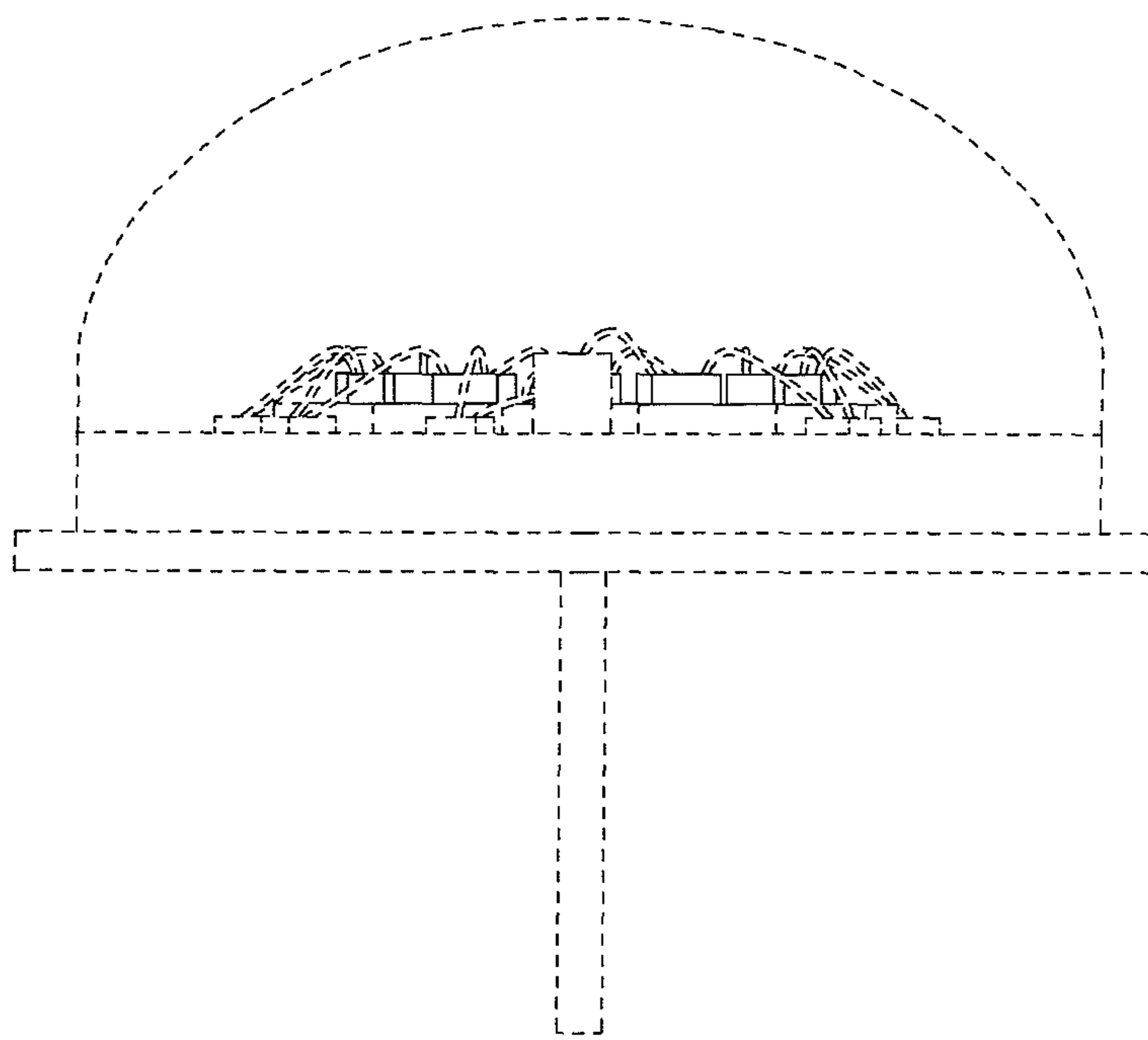


FIG.4

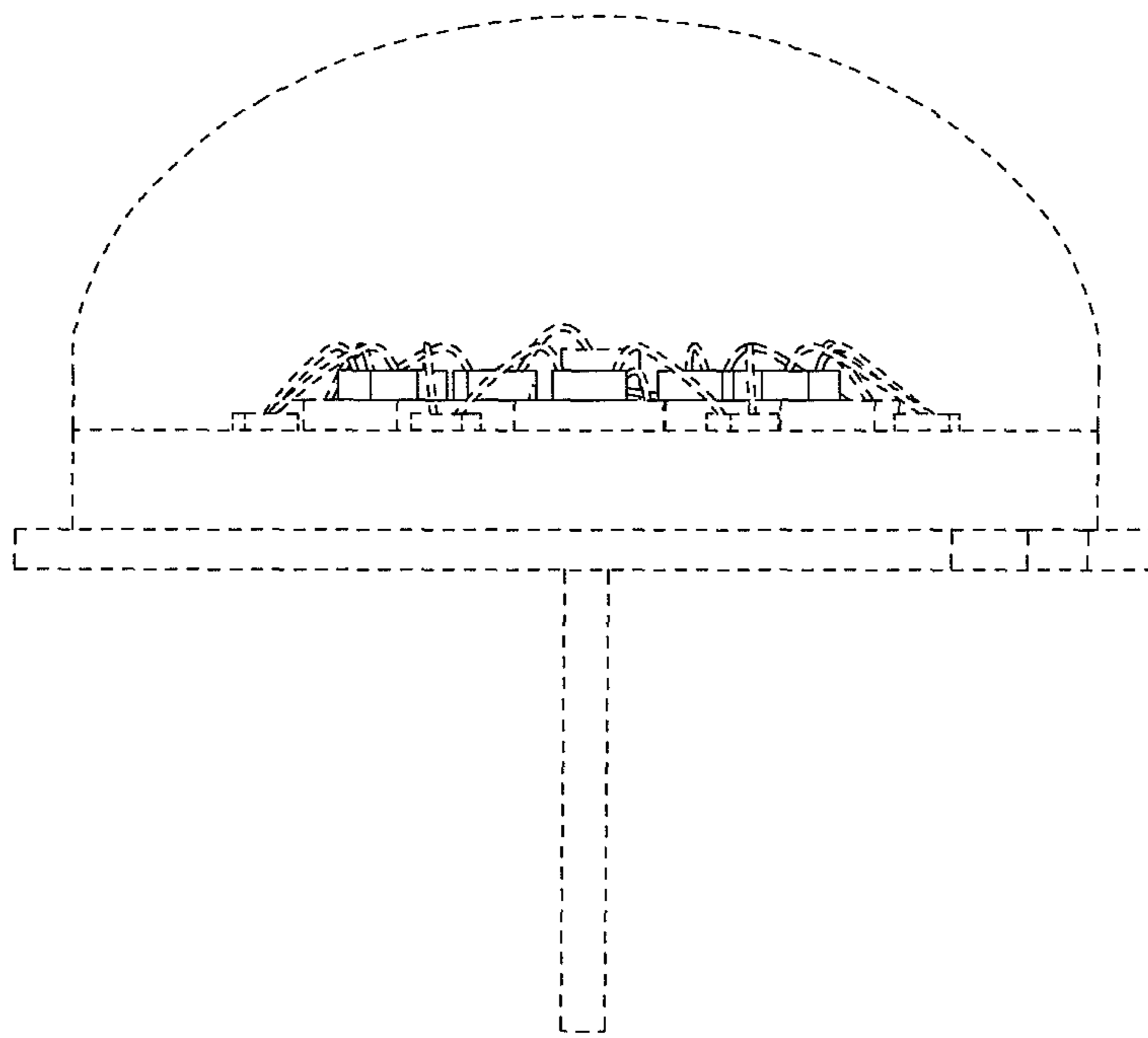


FIG.5

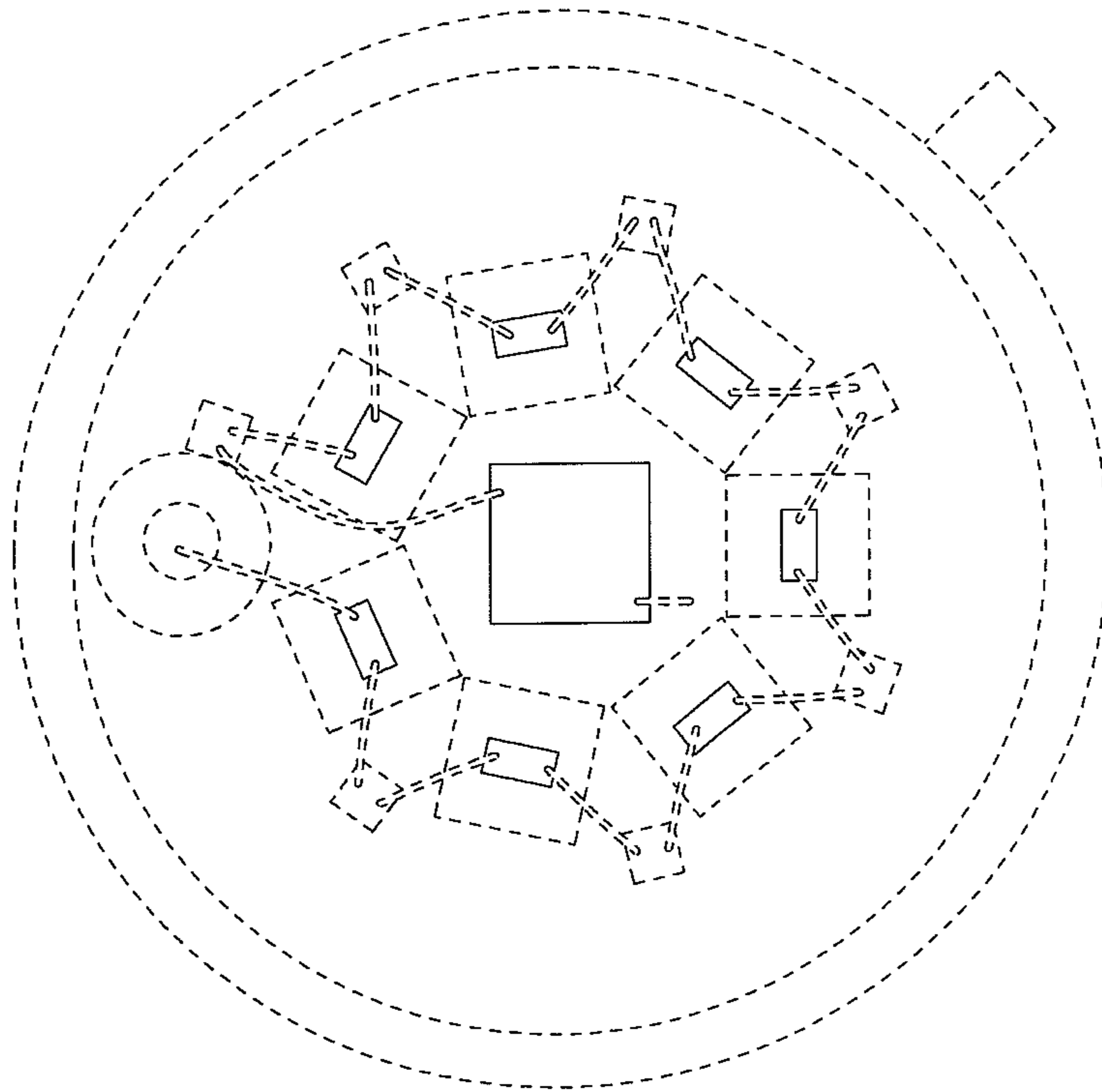


FIG.6

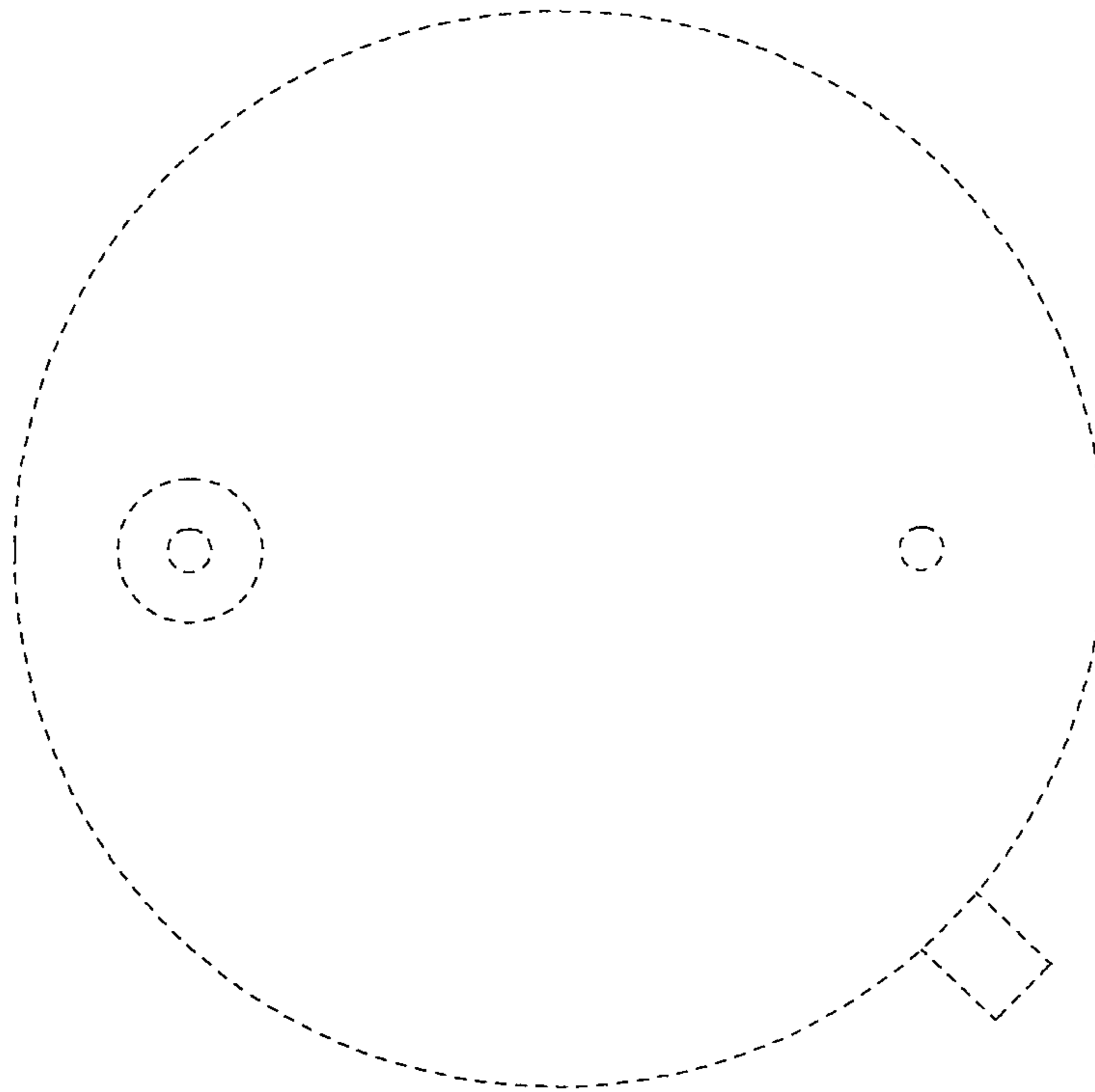


FIG.7



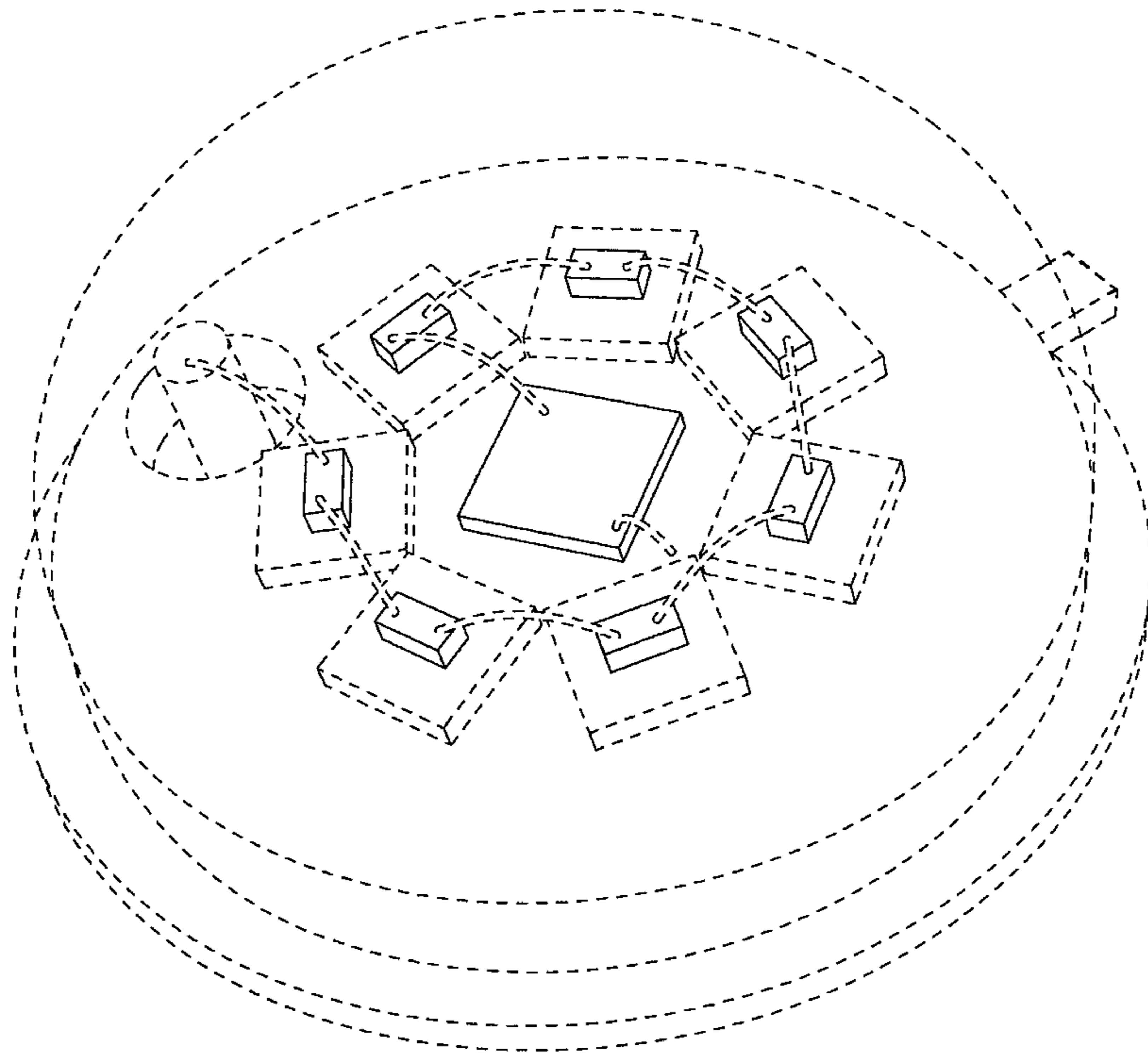


FIG.8

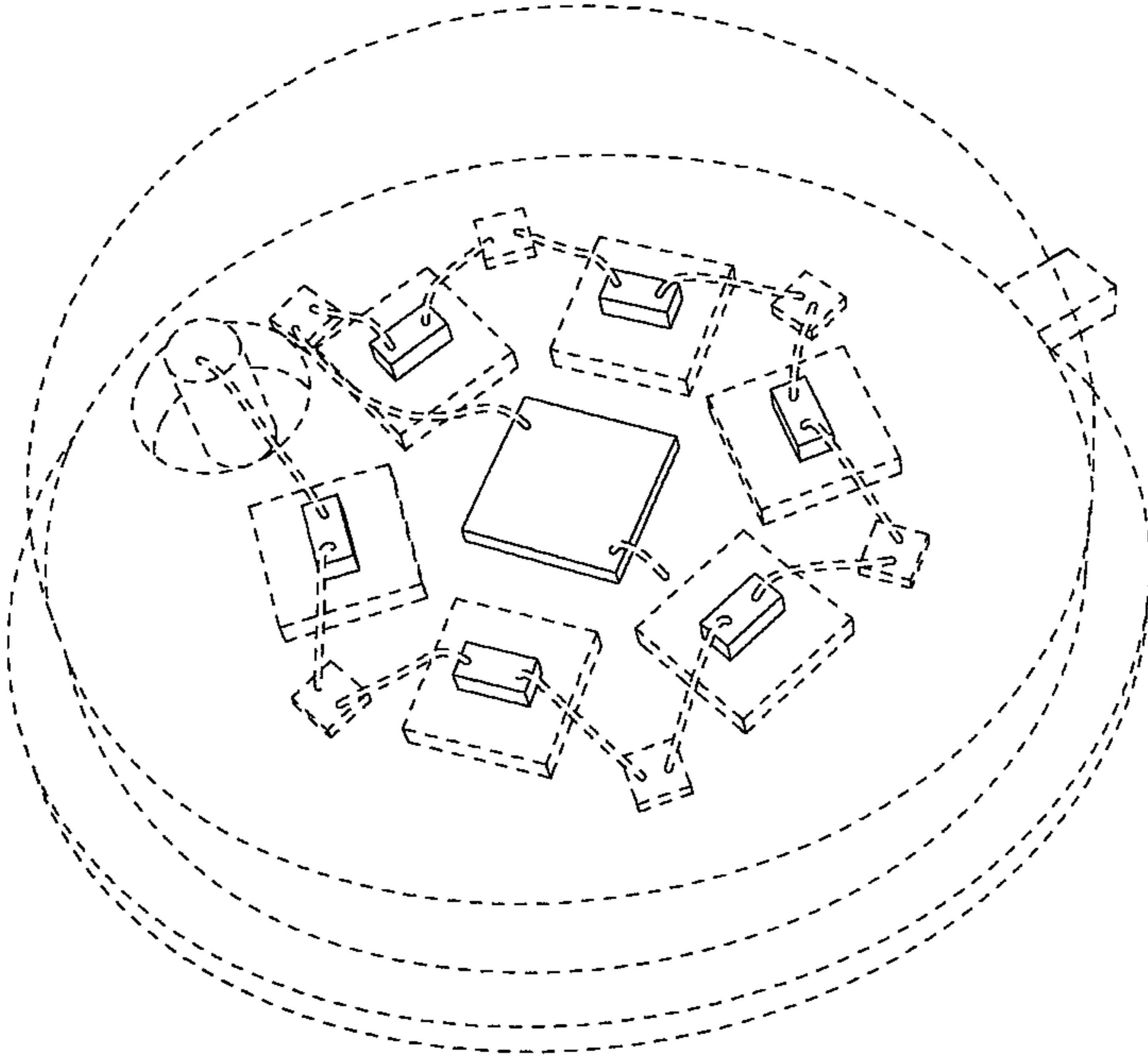


FIG.9

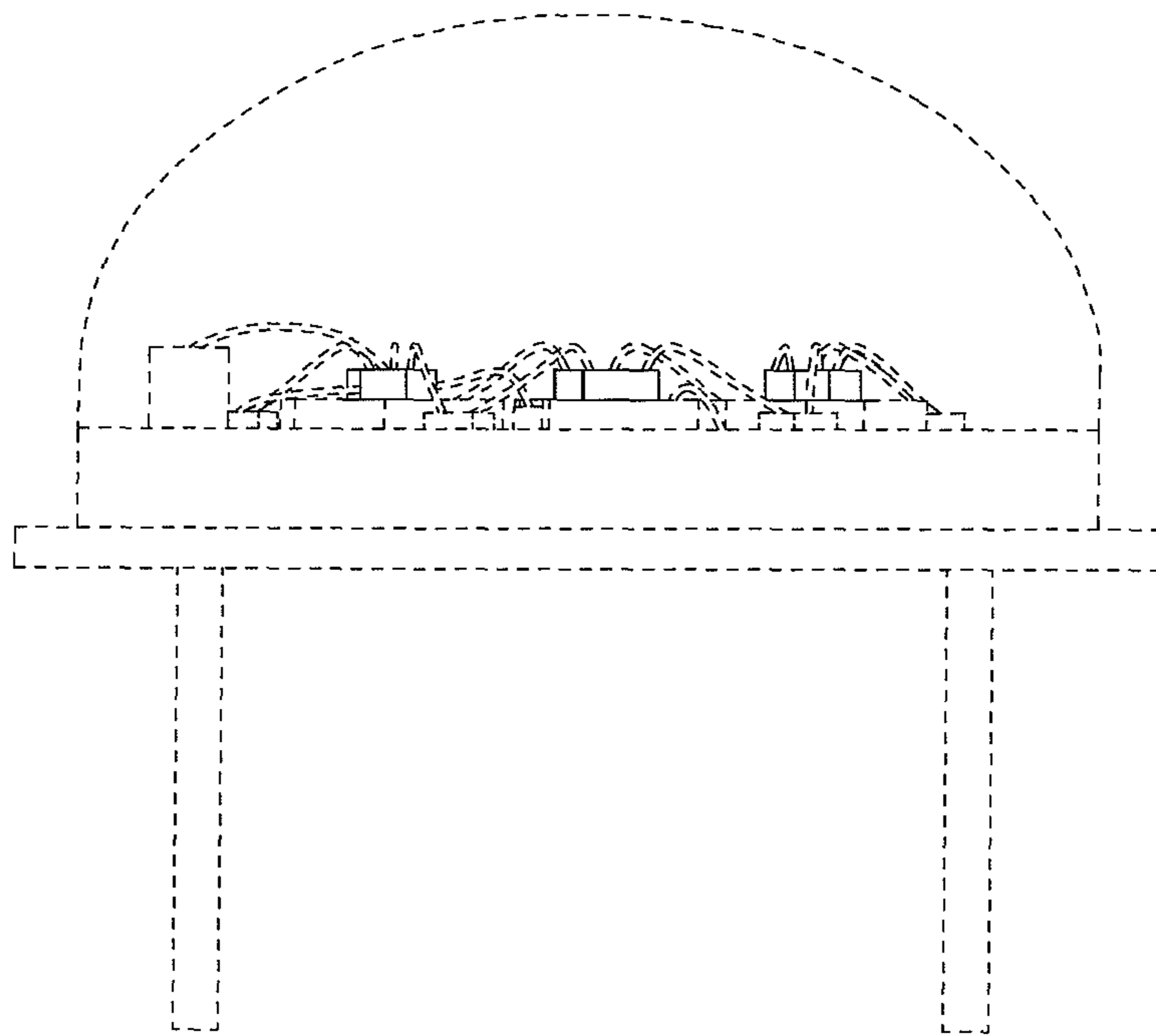


FIG.10

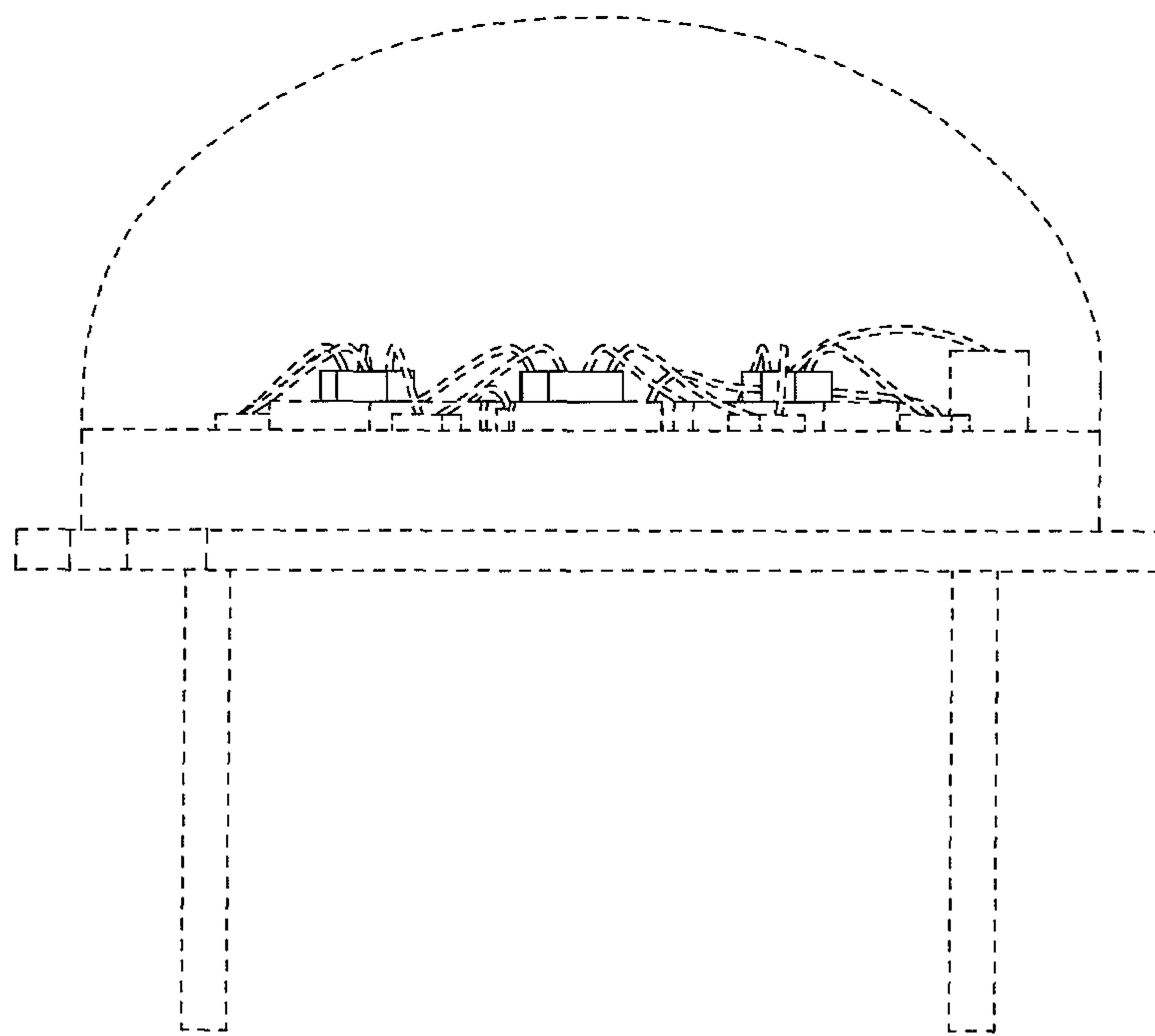


FIG.11

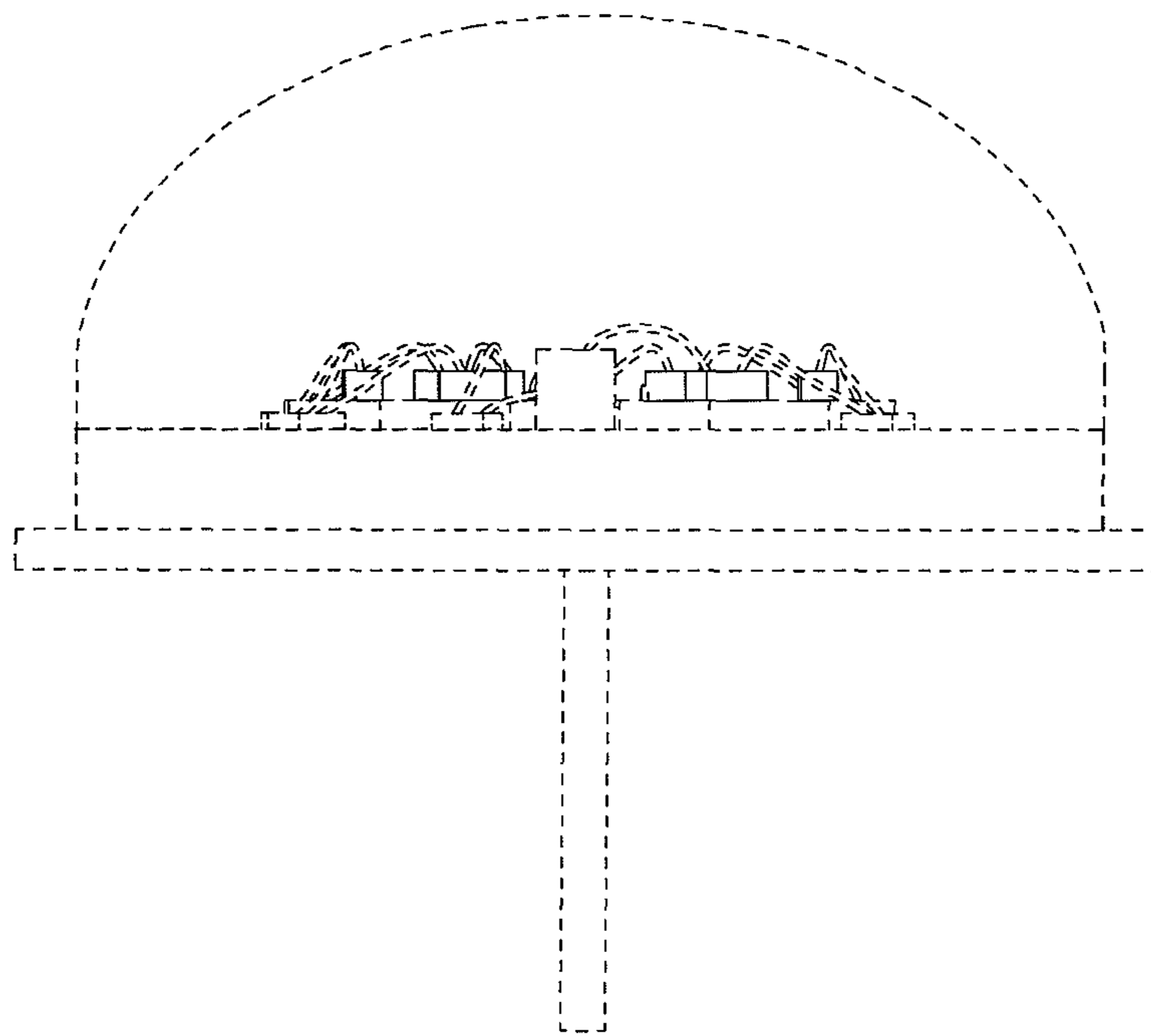


FIG.12

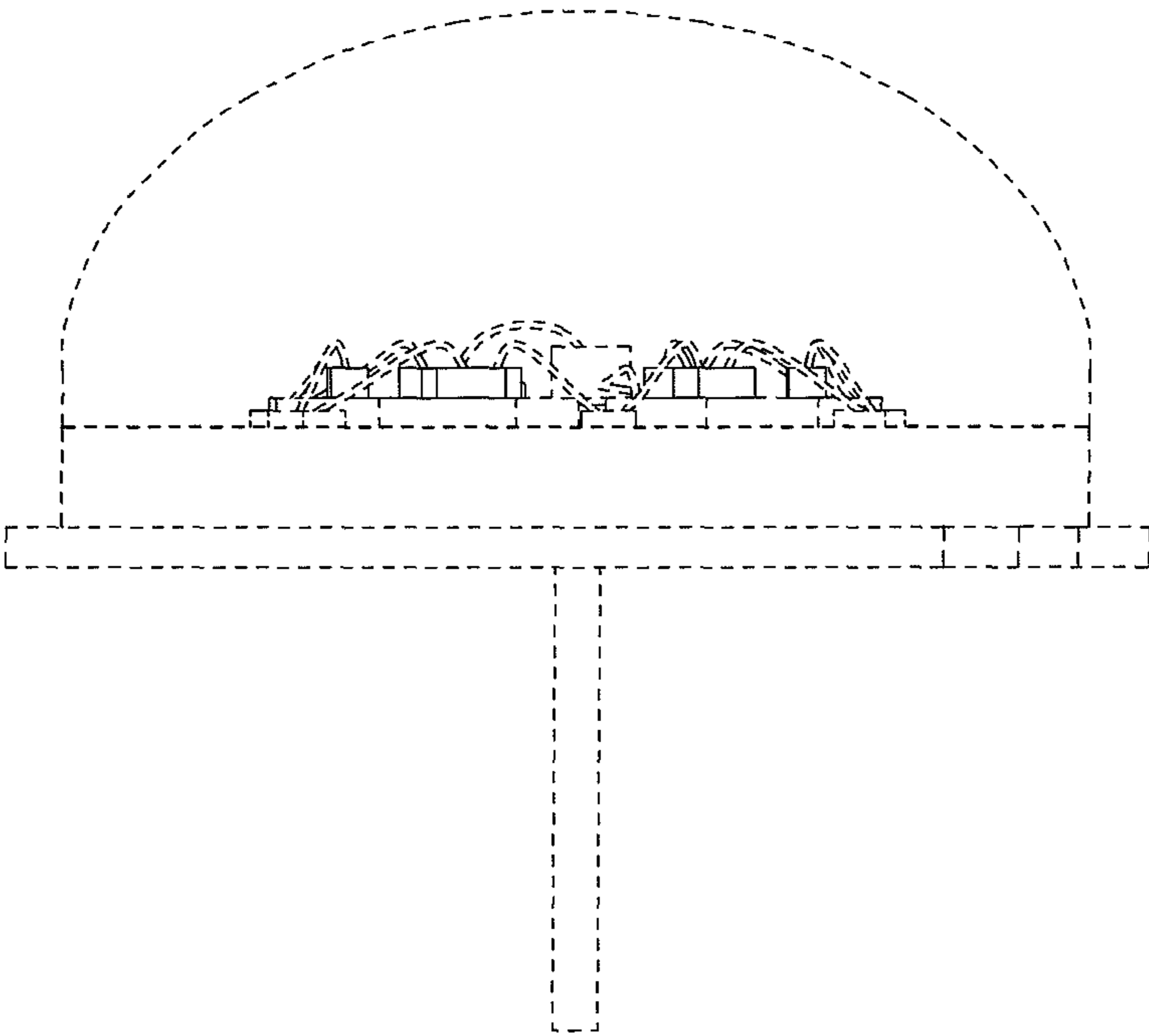


FIG.13

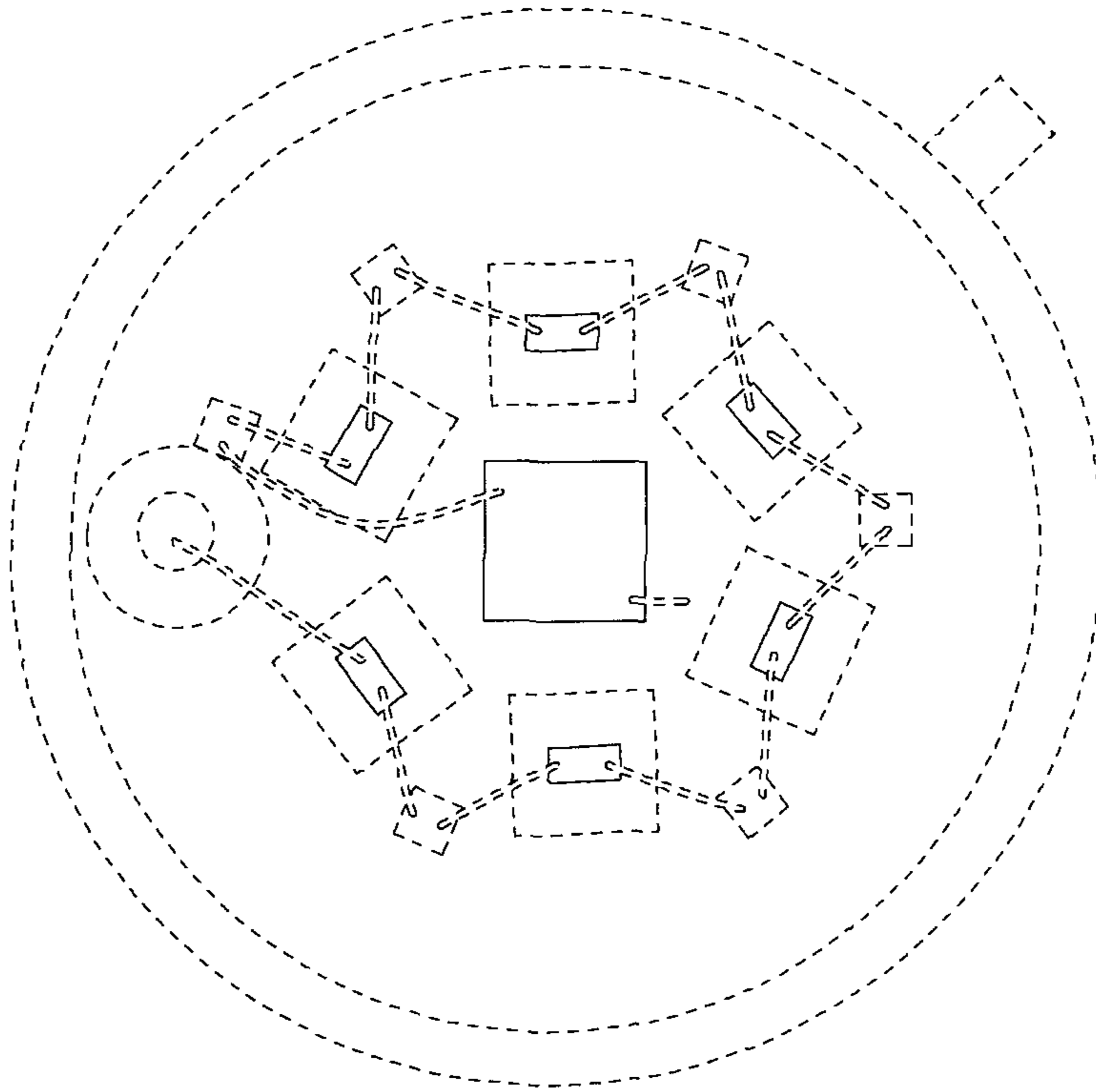


FIG.14

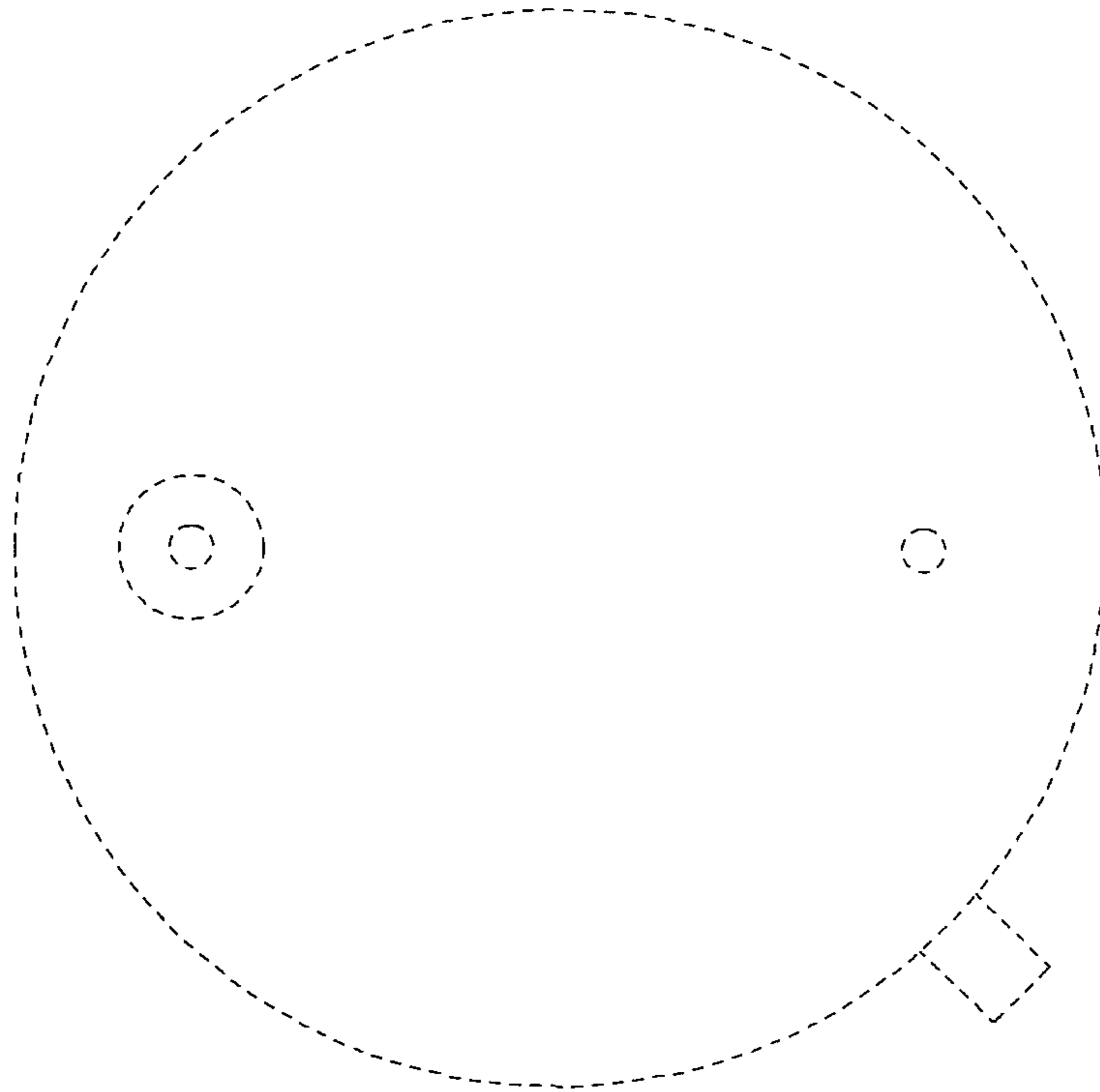


FIG.15



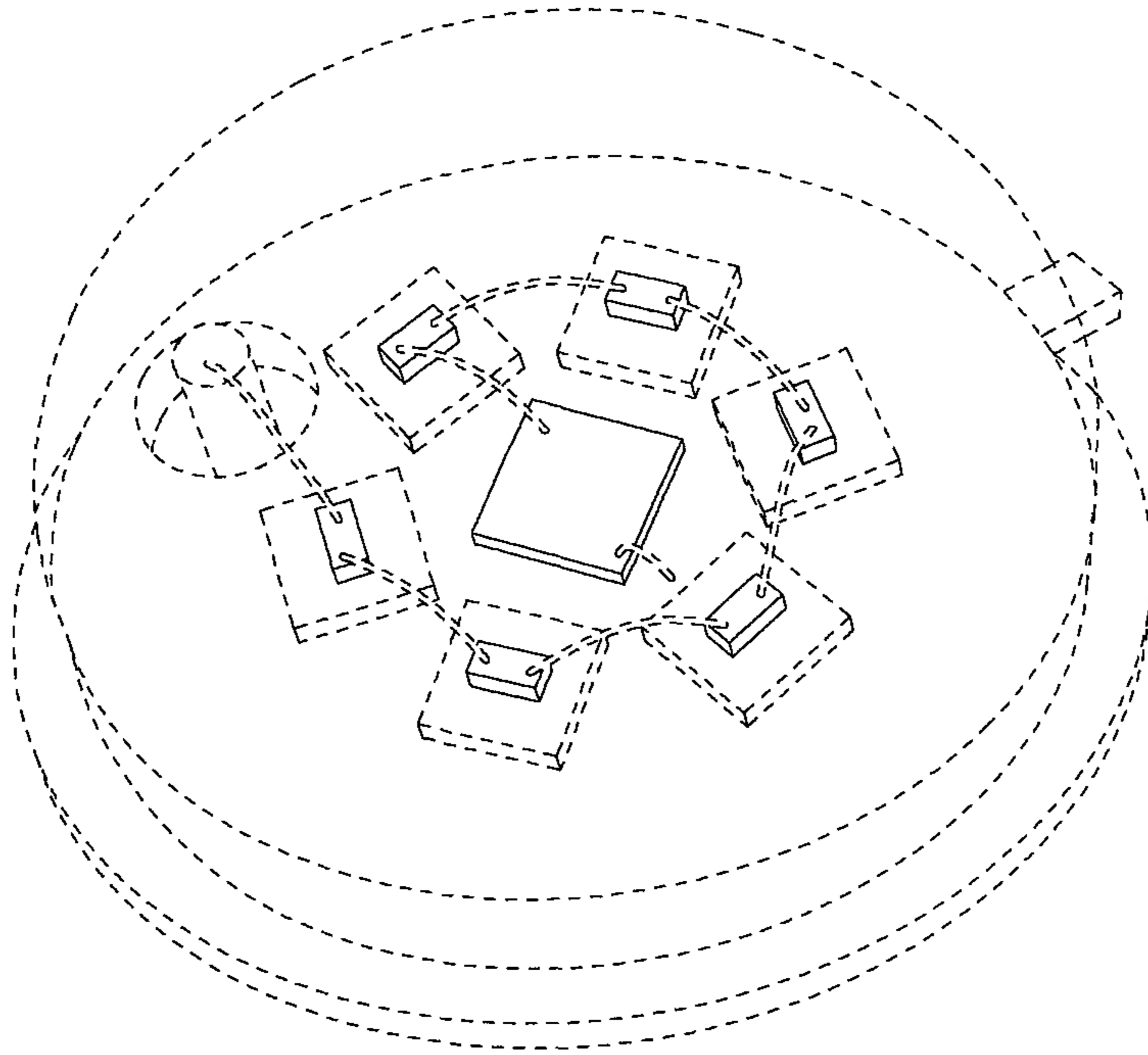


FIG.16

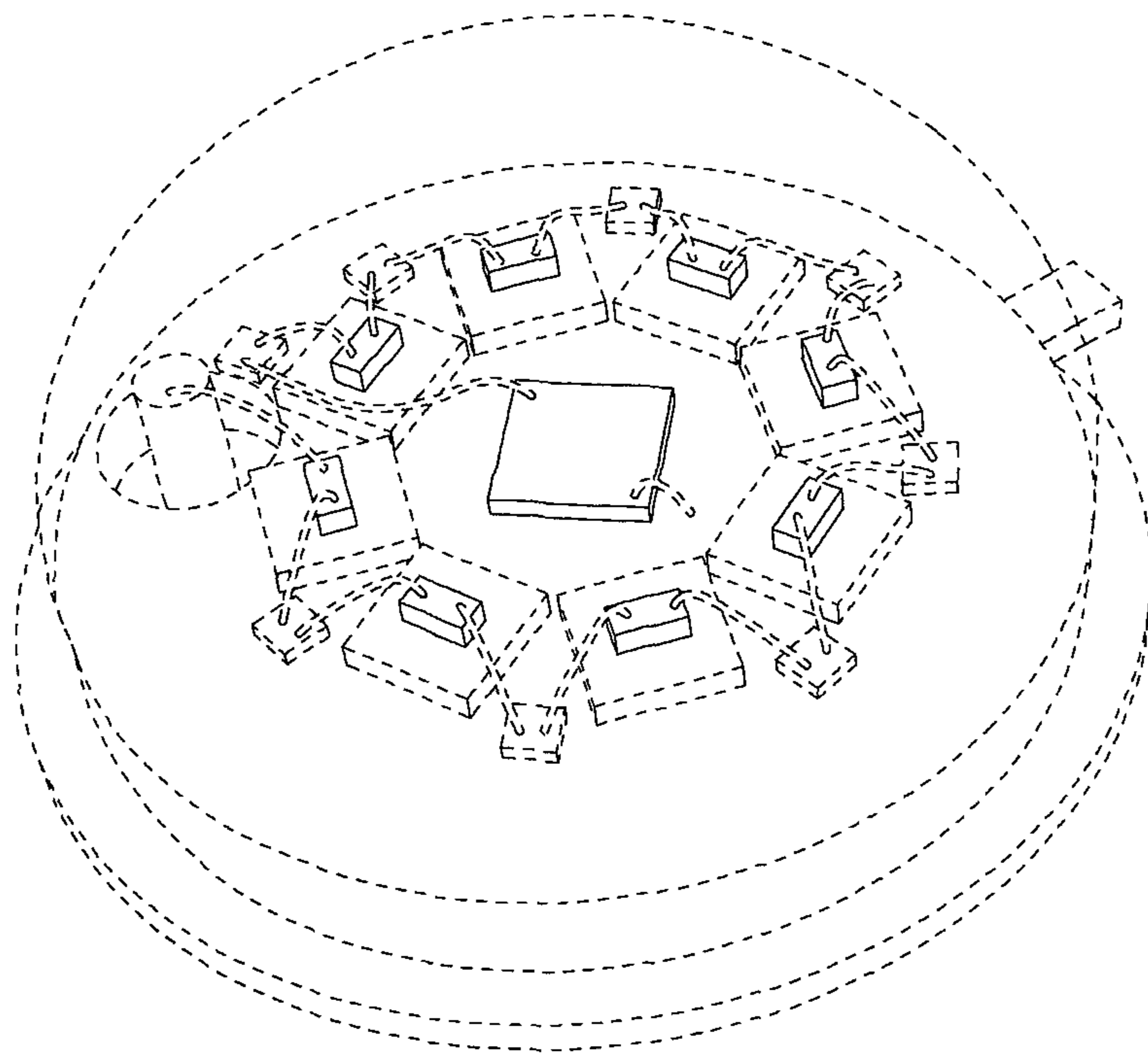


FIG.17

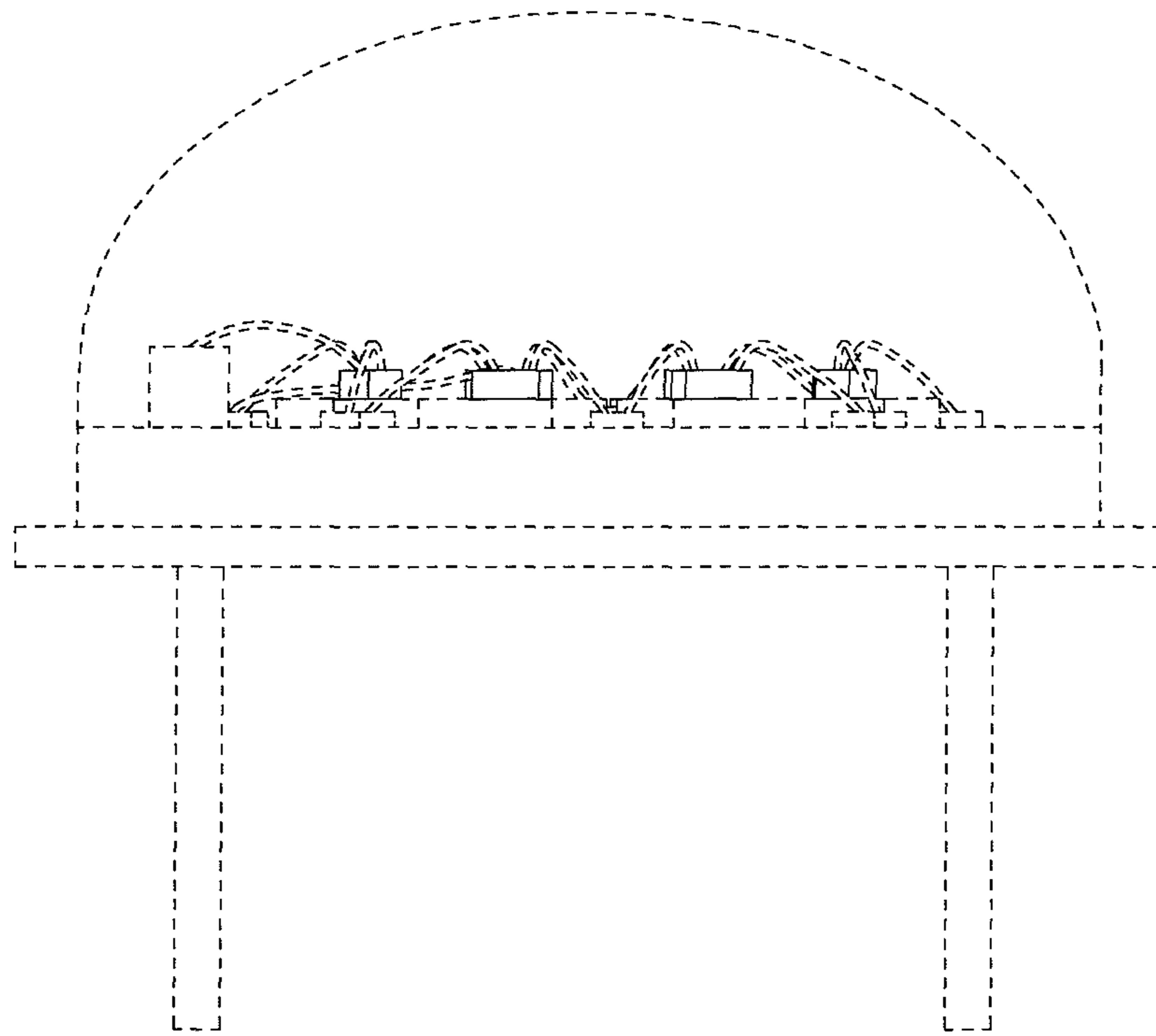


FIG.18

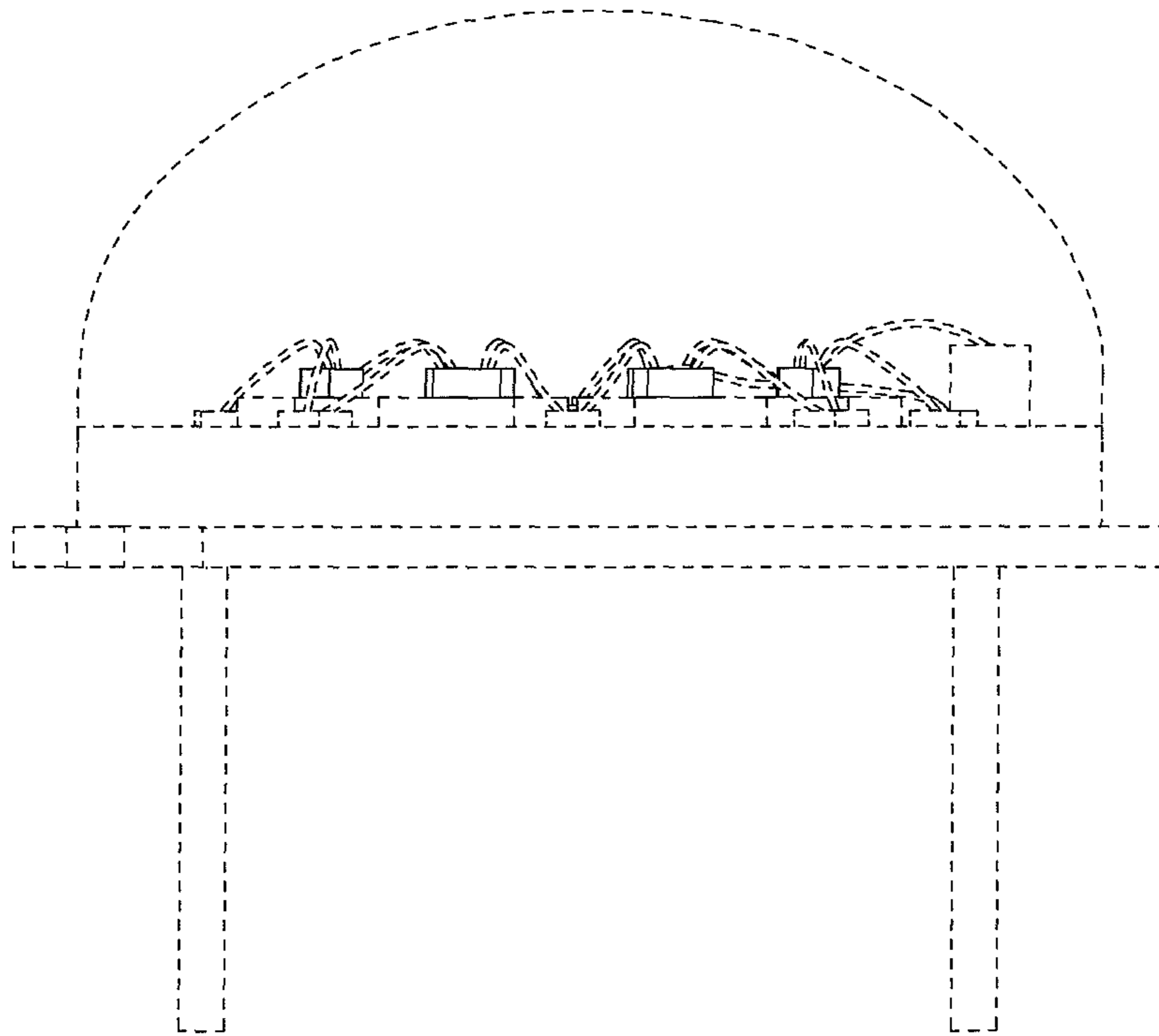


FIG.19

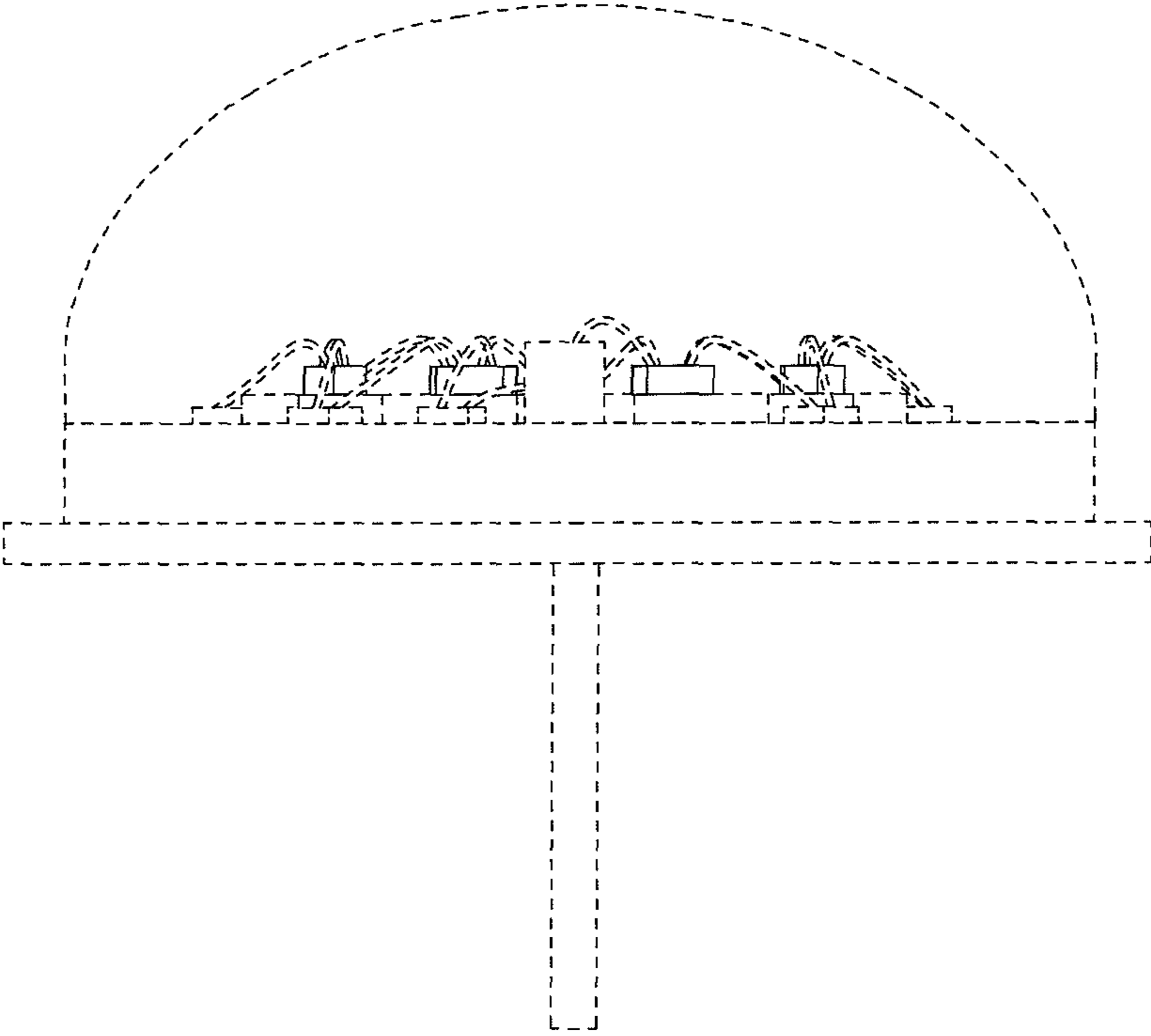


FIG.20

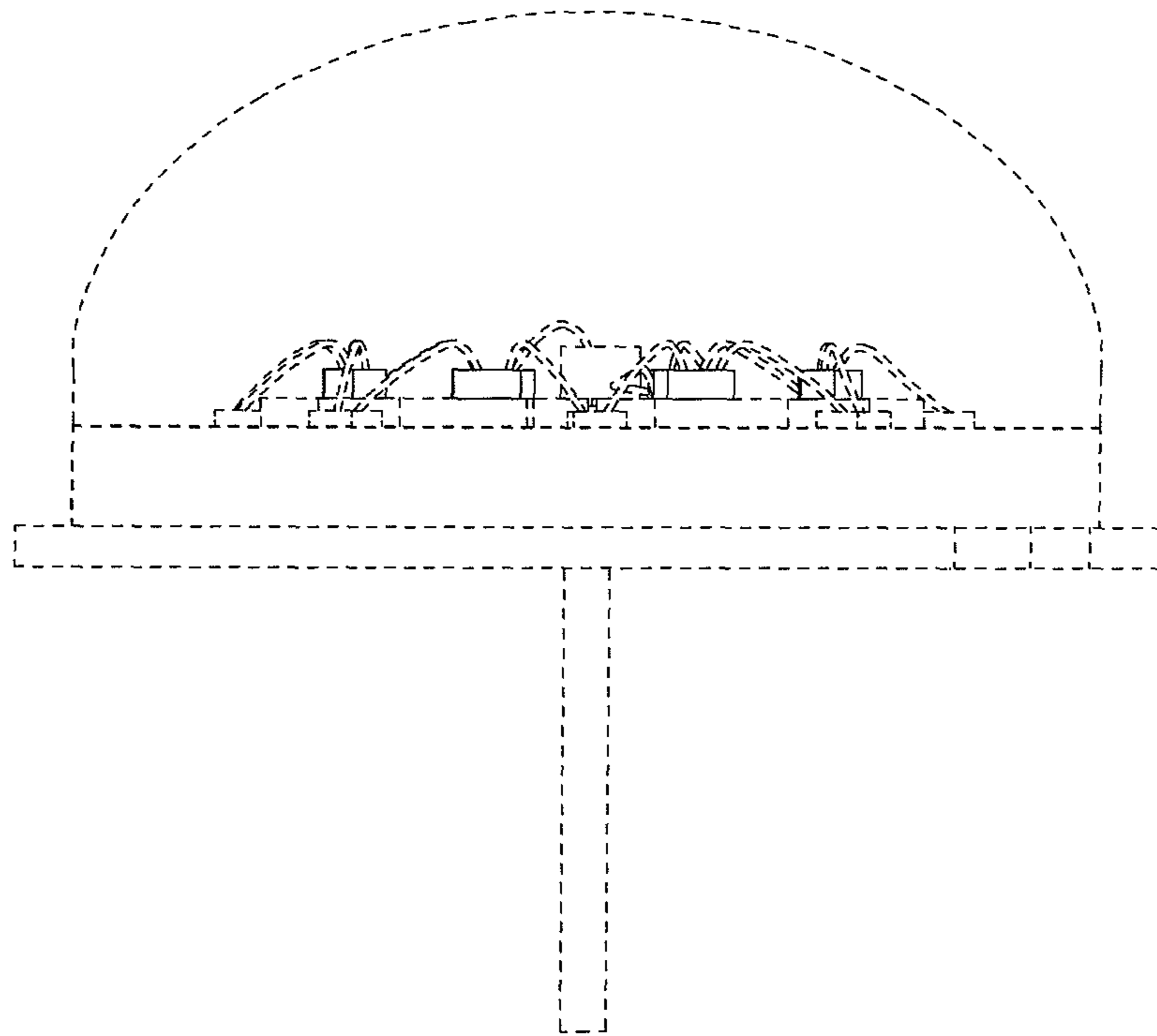


FIG.21

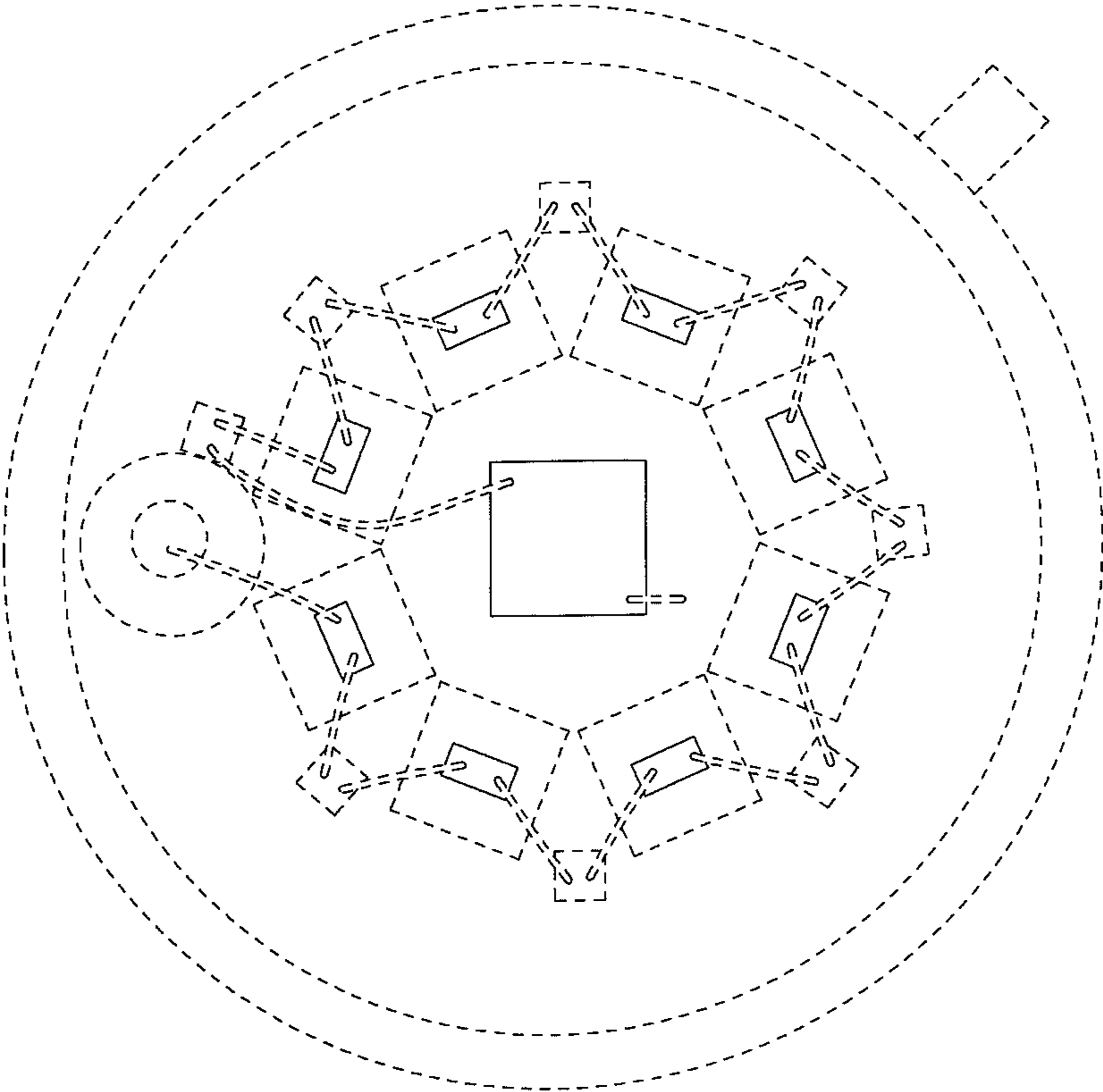


FIG.22

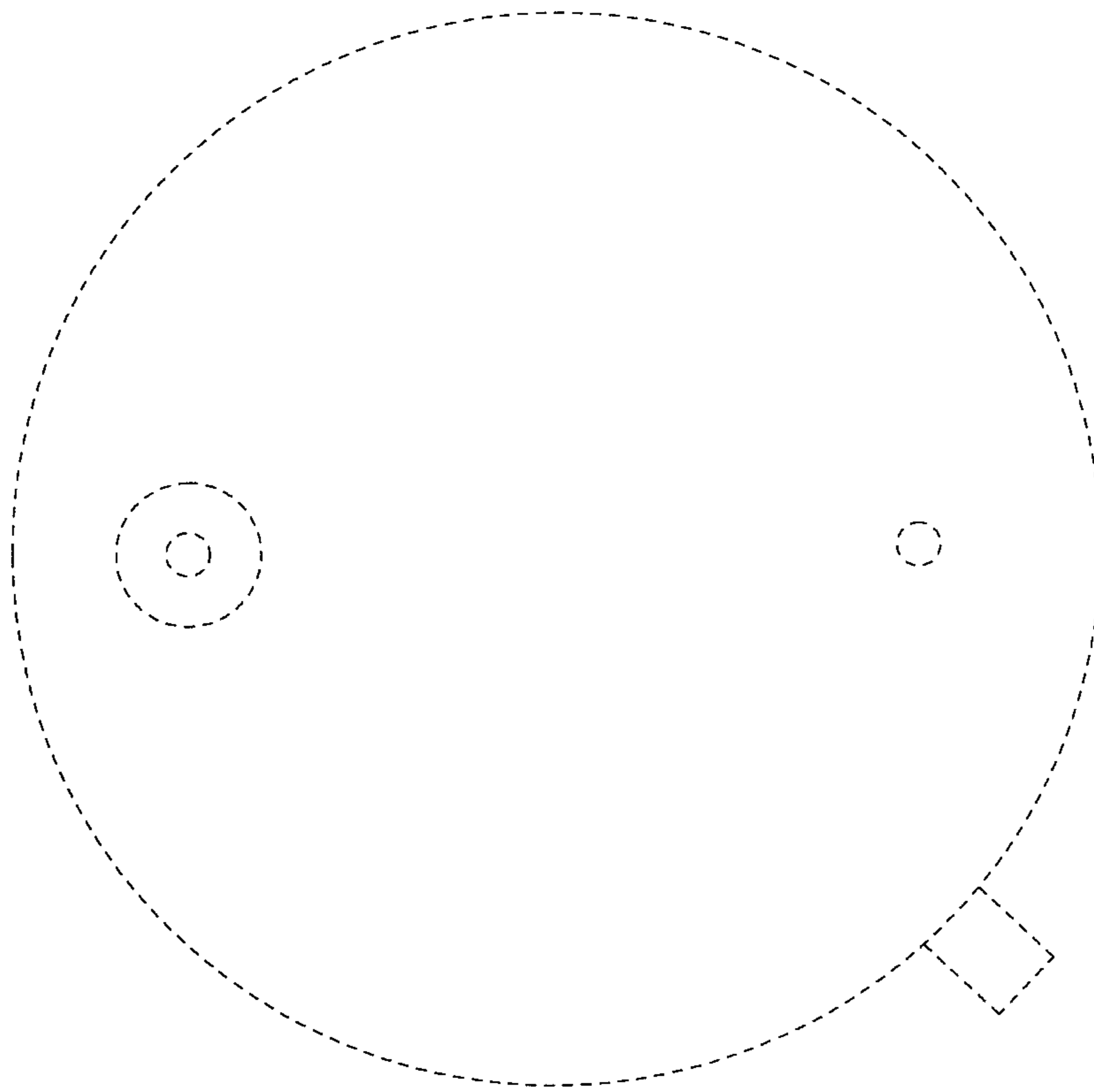


FIG.23



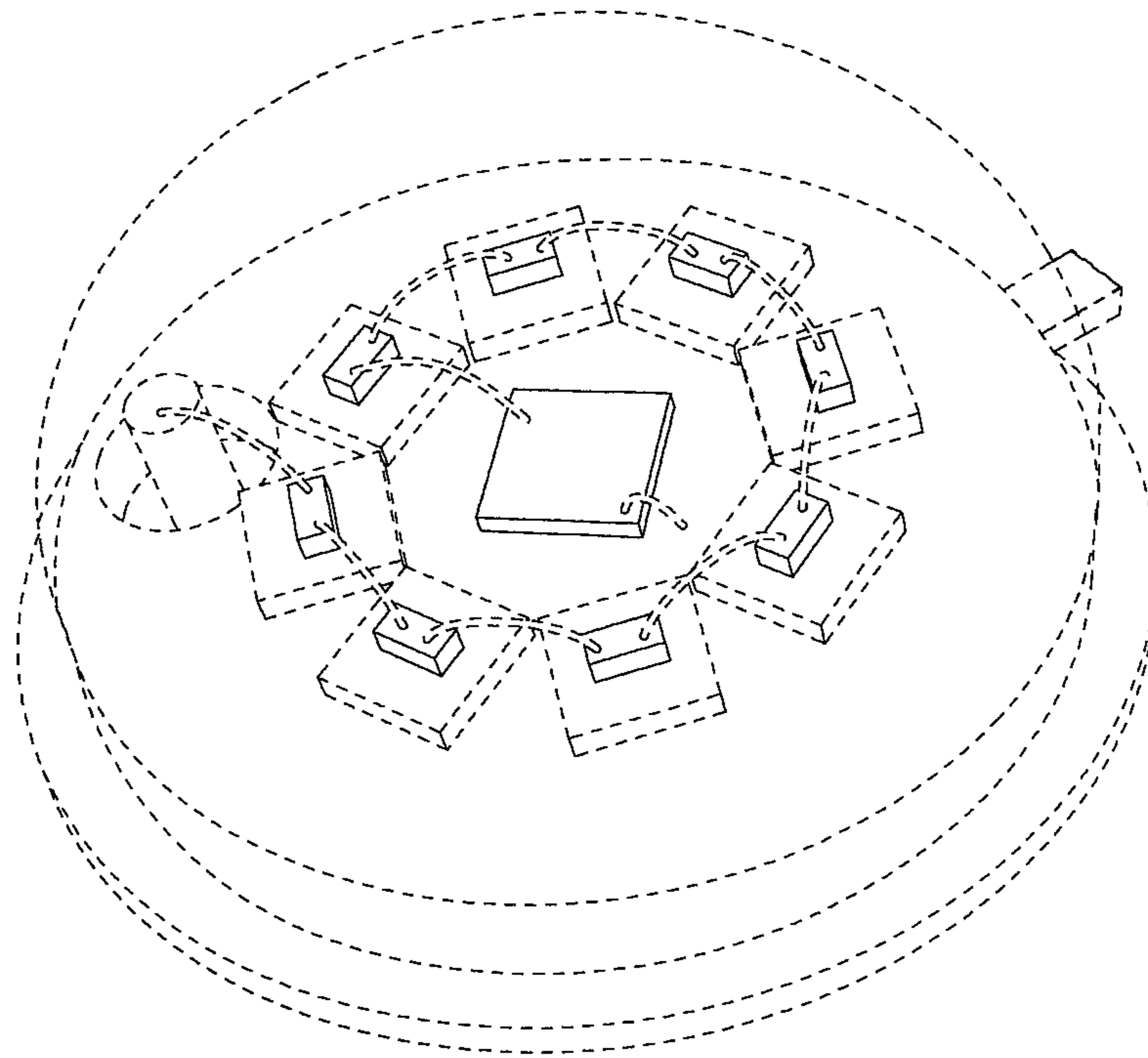


FIG.24