



US00D682793S

(12) **United States Design Patent**
Igelmund

(10) **Patent No.:** **US D682,793 S**

(45) **Date of Patent:** **** May 21, 2013**

(54) **COMMUNICATIONS CABLE TERMINATOR**

(76) Inventor: **Darrell Igelmund**, Newcastle, WA (US)

(**) Term: **14 Years**

(21) Appl. No.: **29/421,734**

(22) Filed: **Sep. 11, 2012**

(51) **LOC (9) Cl.** **13-03**

(52) **U.S. Cl.**
USPC **D13/156**

(58) **Field of Classification Search** D13/156,
D13/118, 120, 123, 133, 153, 154, 184, 199;
439/350–353, 358, 365, 374, 445, 447, 483,
439/606, 668, 669, 694, 750

See application file for complete search history.

(56) **References Cited**

U.S. PATENT DOCUMENTS

D405,423 S * 2/1999 Nakamura D13/156
D429,485 S * 8/2000 Munch et al. D13/156

D437,293 S * 2/2001 Yudis et al. D13/156
D533,140 S * 12/2006 Motard et al. D13/156
D573,953 S * 7/2008 Wilson D13/156

* cited by examiner

Primary Examiner — Derrick Holland

(74) *Attorney, Agent, or Firm* — Lowe Graham Jones PLLC

(57) **CLAIM**

The ornamental design for a communications cable terminator, as shown and described.

DESCRIPTION

FIG. 1 is a top front perspective view of a communications cable terminator showing my new design.

FIG. 2 is a bottom rear perspective view.

FIG. 3 is a front view thereof.

FIG. 4 is a left side view thereof.

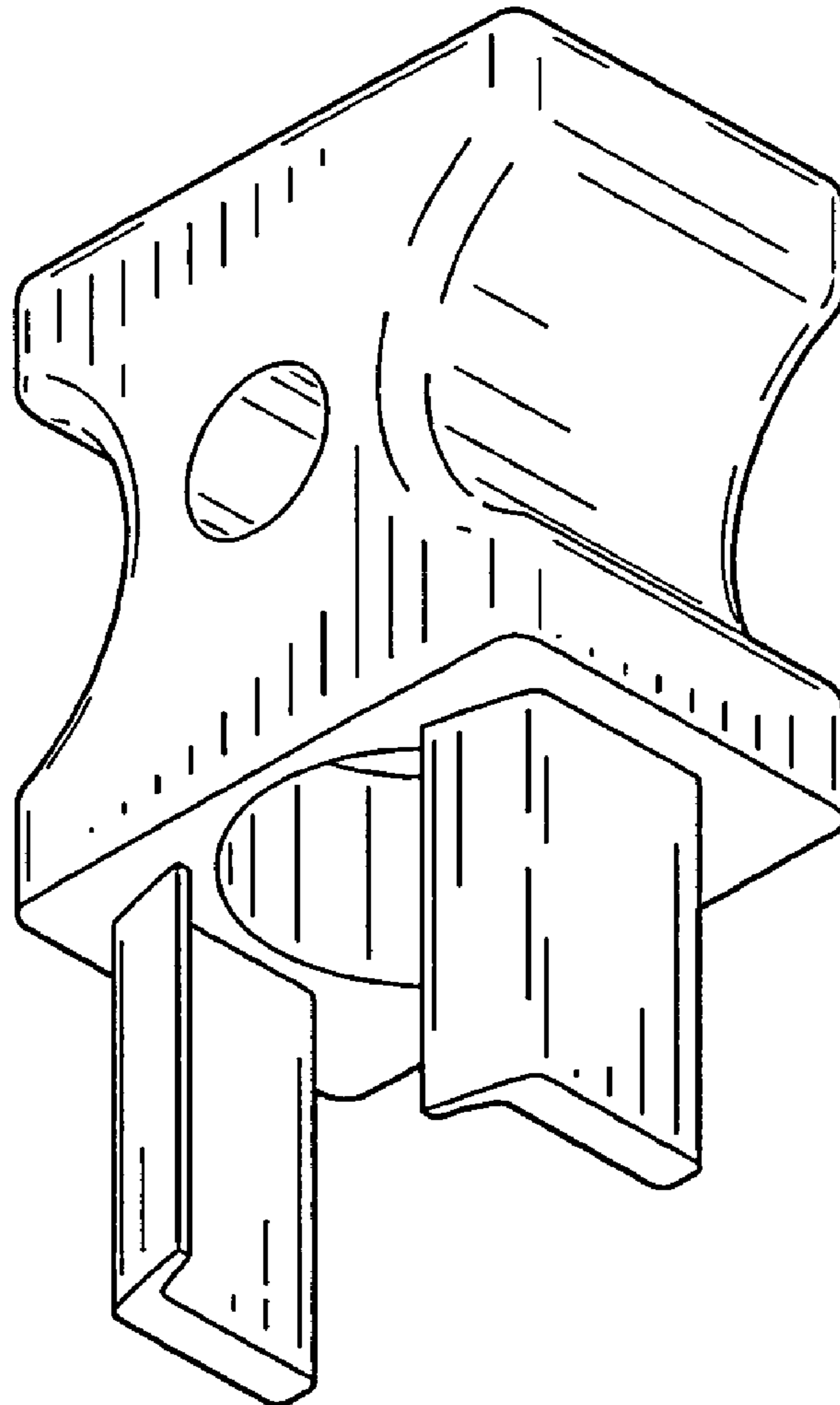
FIG. 5 is a top view thereof.

FIG. 6 is a bottom view thereof.

FIG. 7 is a right side view thereof; and,

FIG. 8 is a rear view thereof.

1 Claim, 3 Drawing Sheets



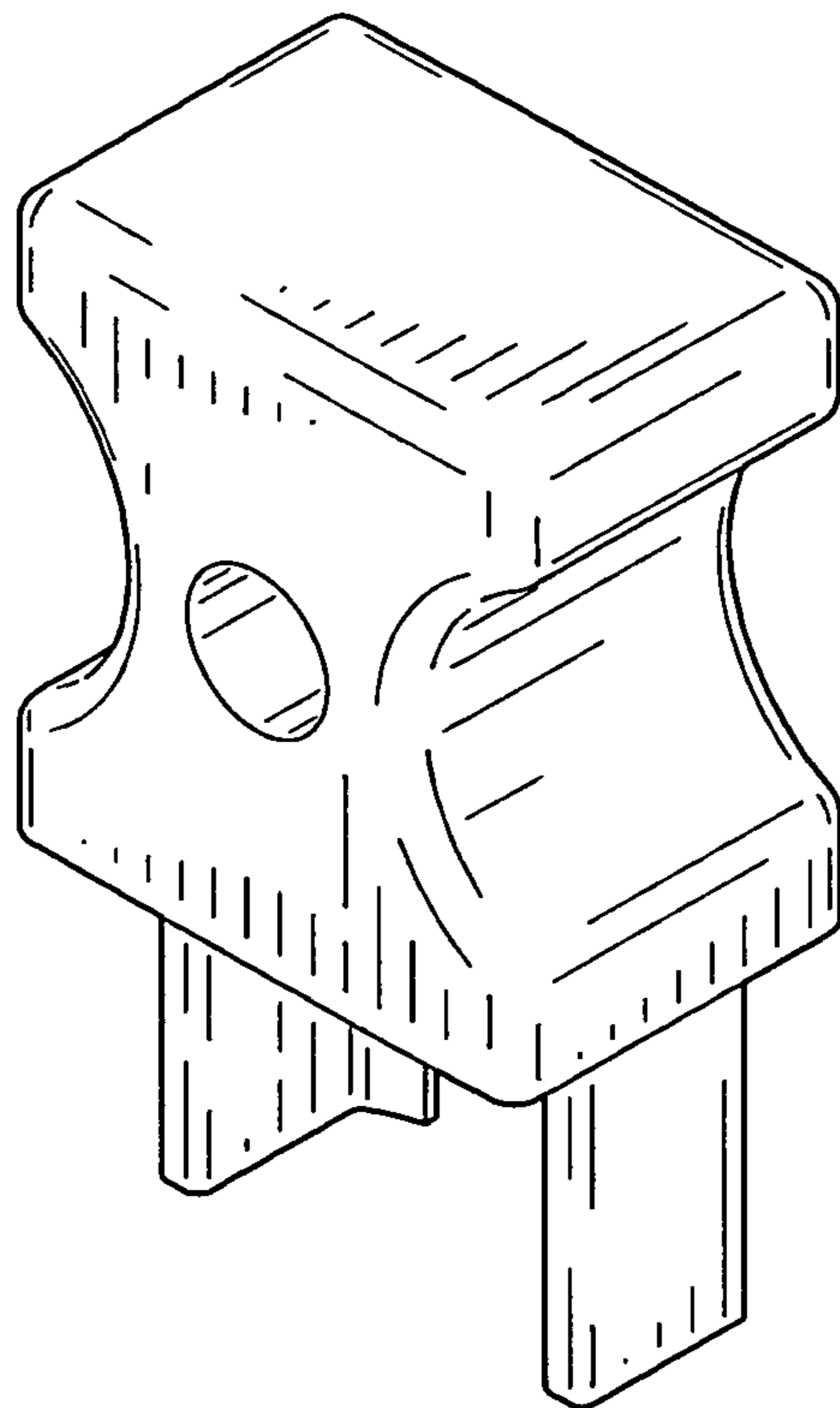


FIG.1

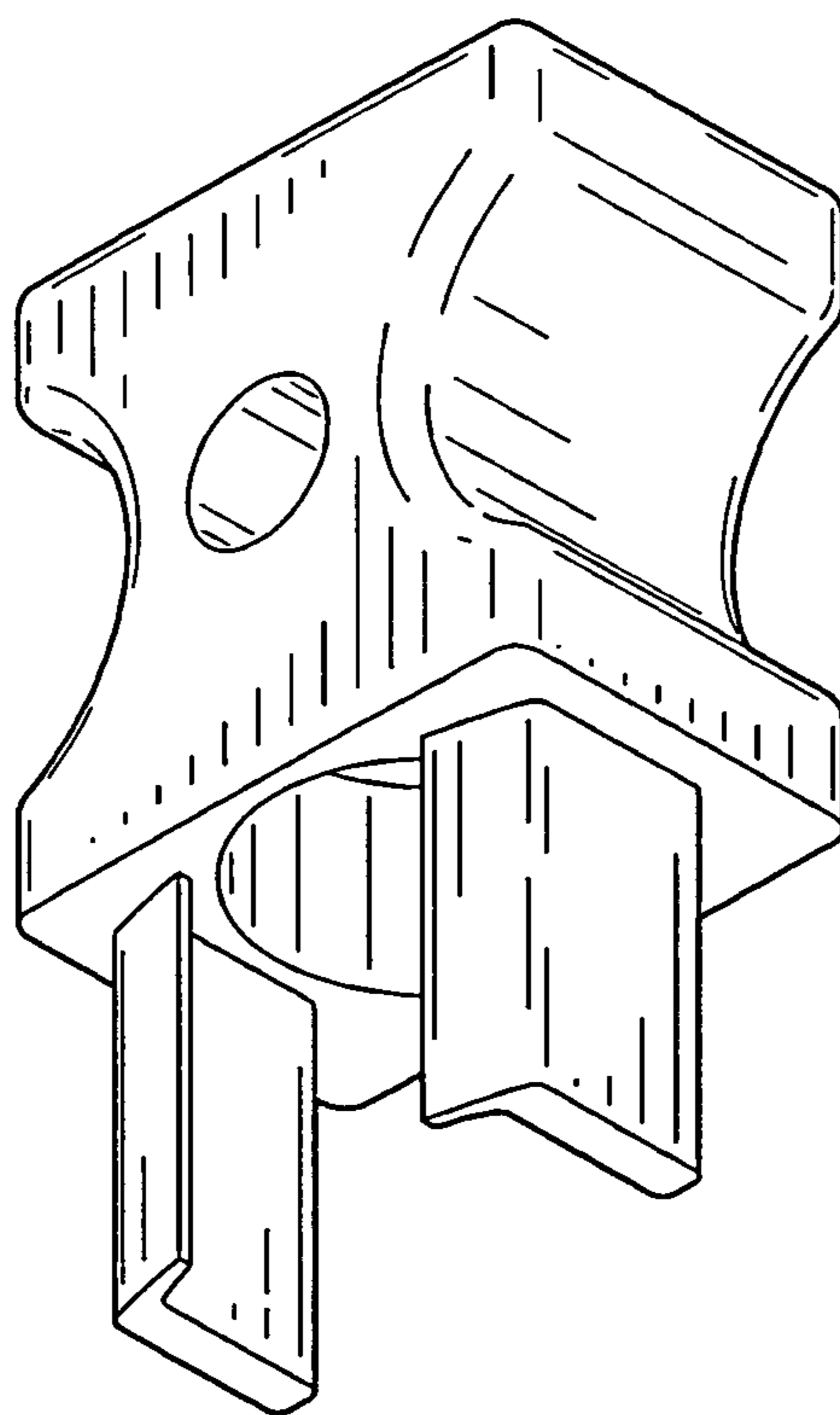


FIG.2

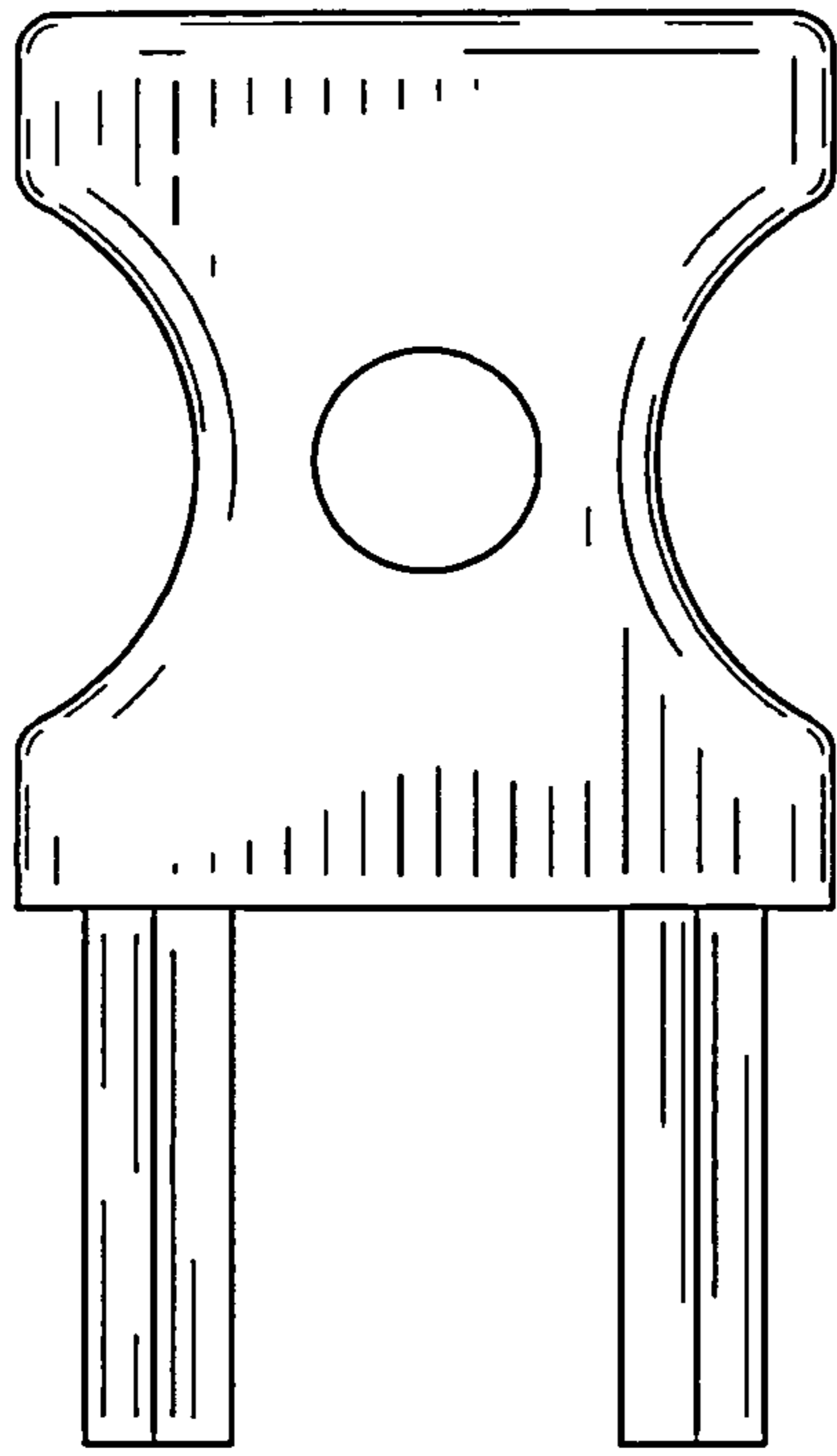


FIG. 3

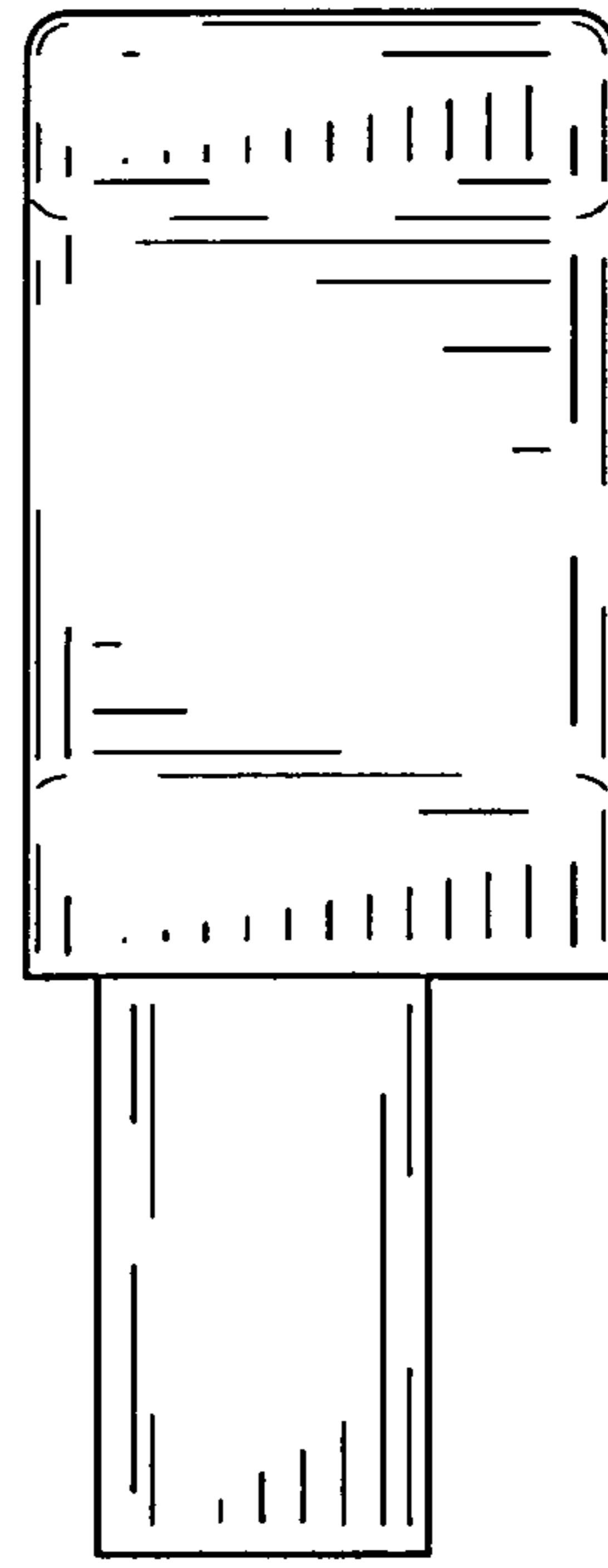


FIG. 4

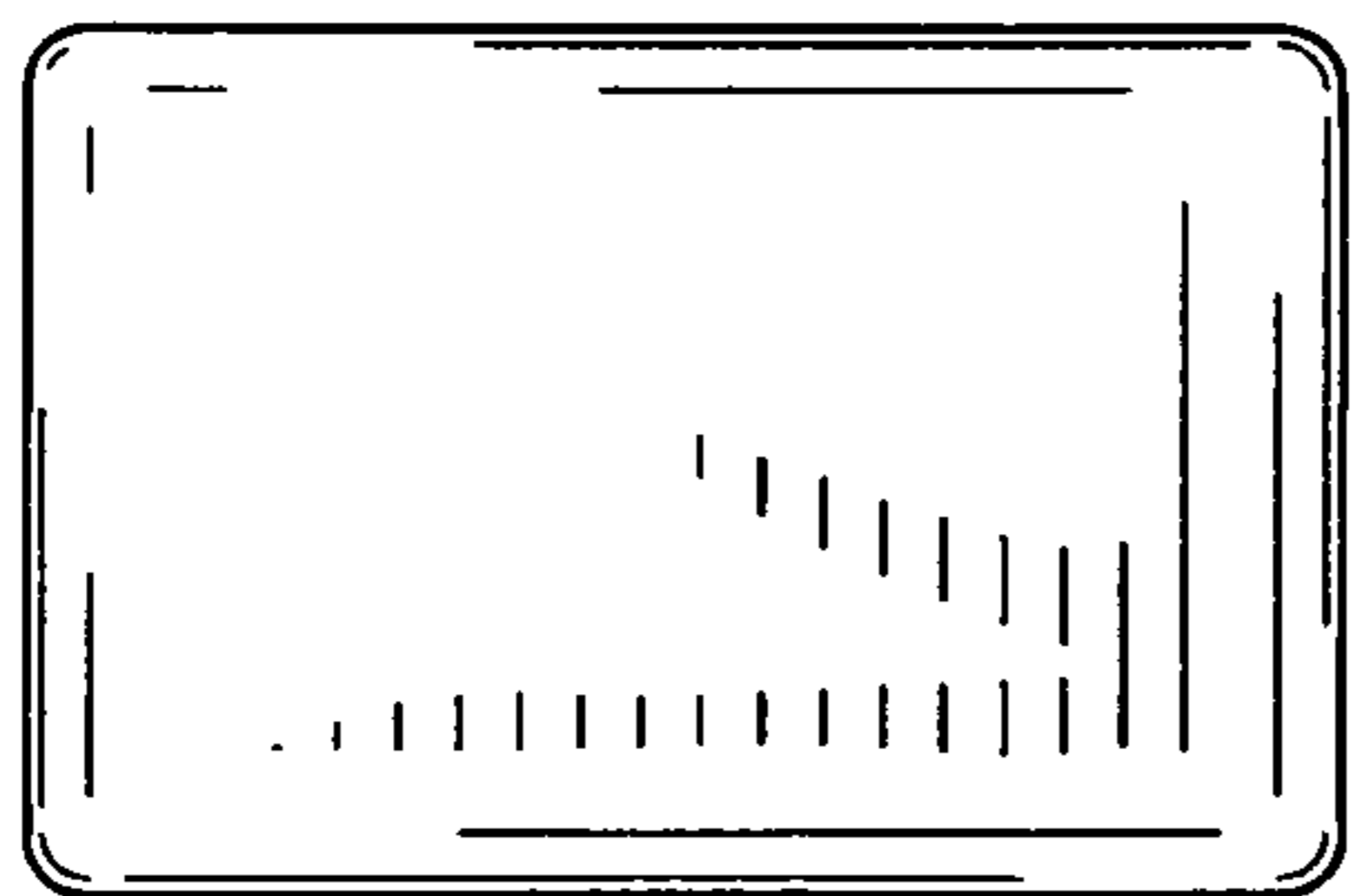


FIG. 5

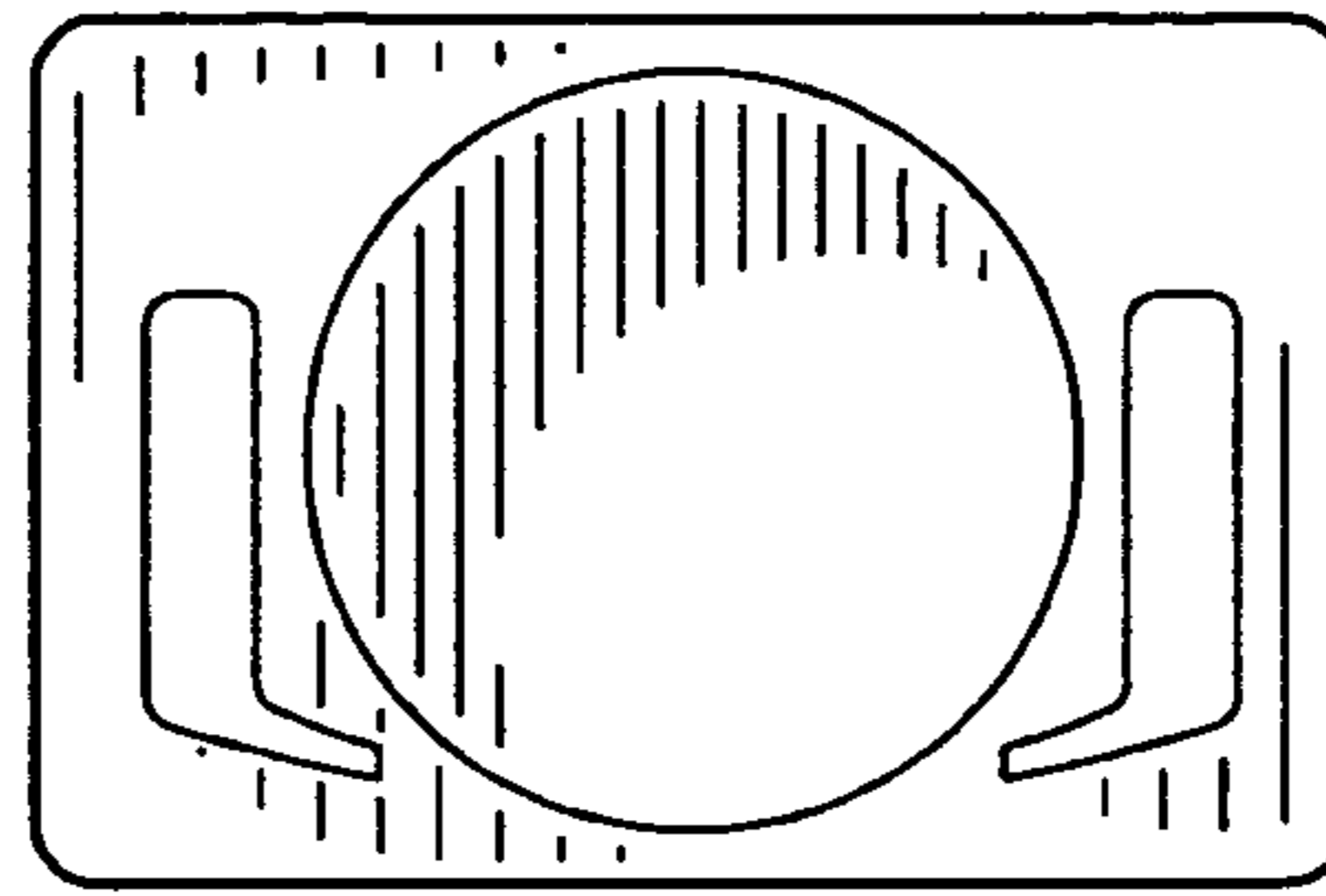


FIG. 6

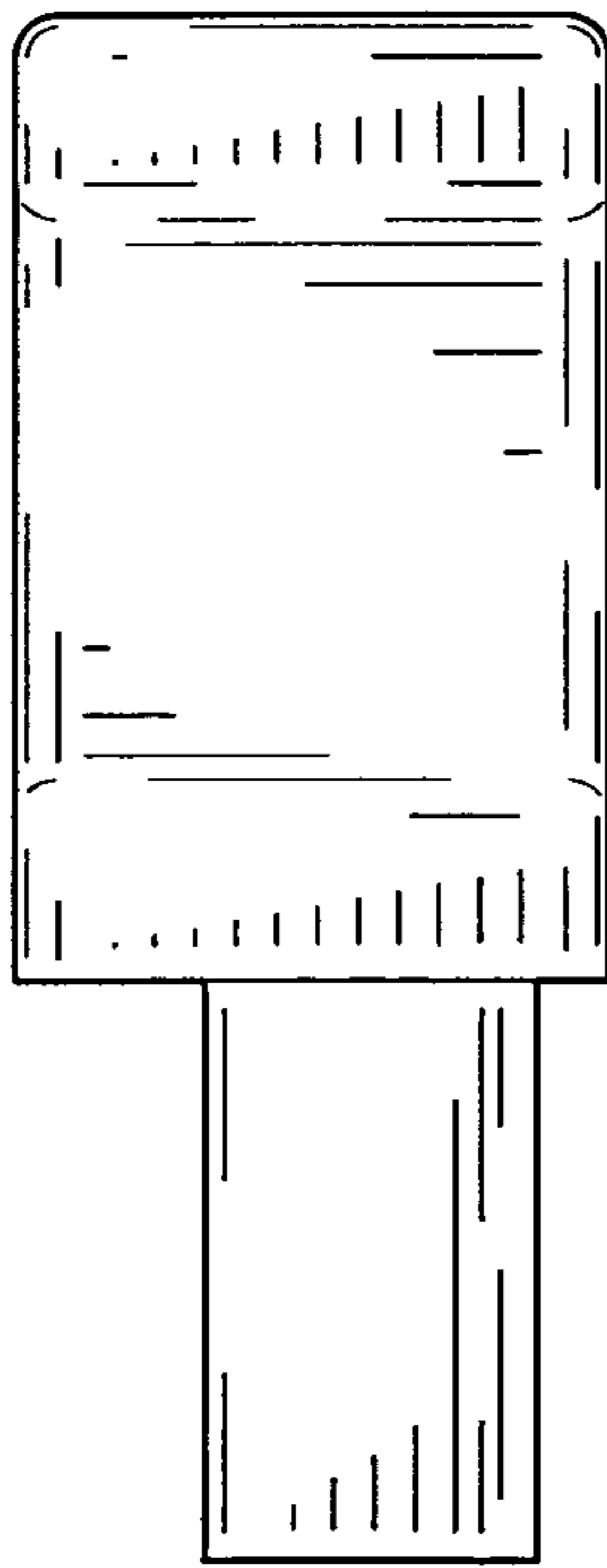


FIG. 7

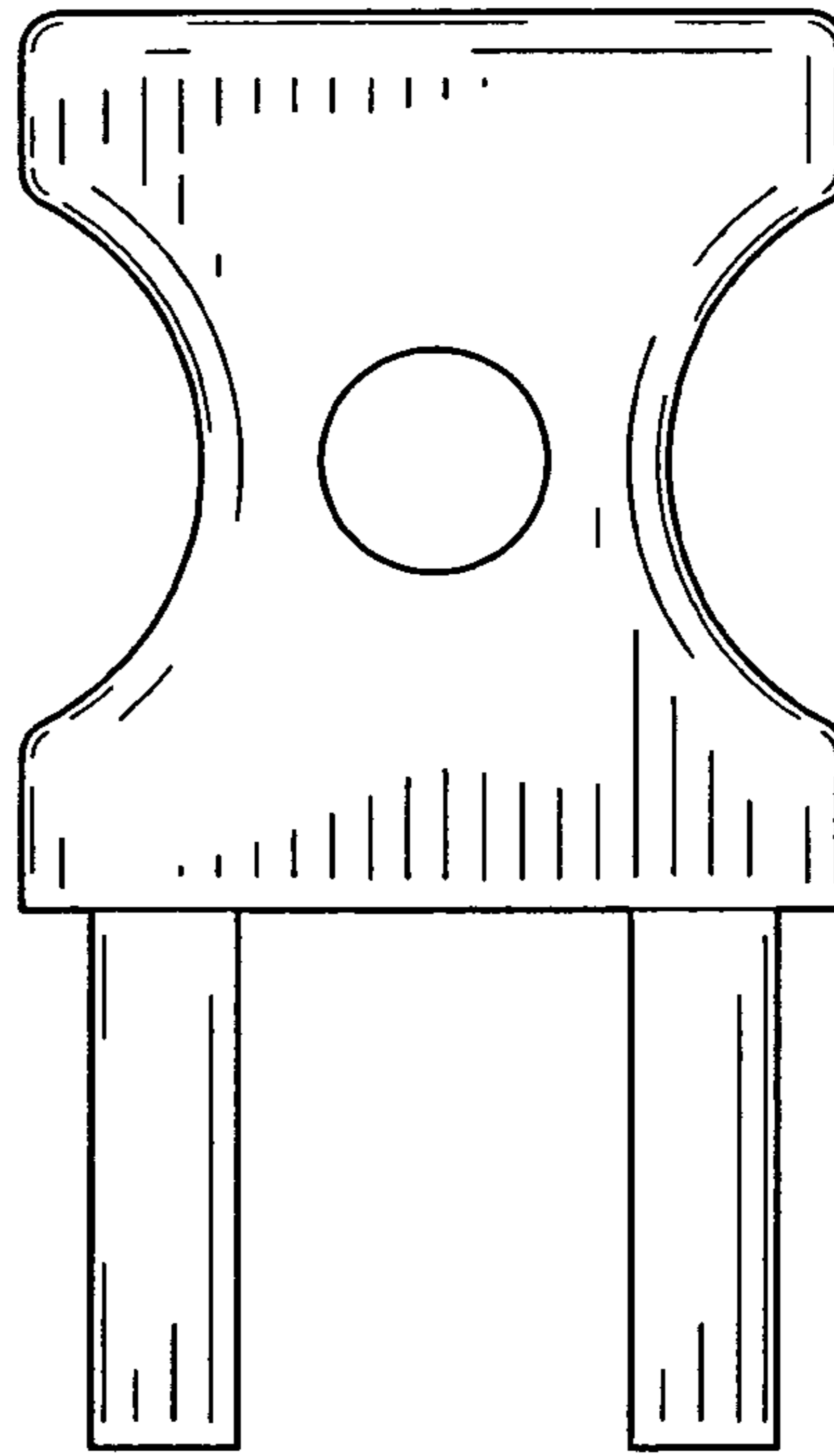


FIG. 8