



US00D682792S

(12) **United States Design Patent**
Tello

(10) **Patent No.:** **US D682,792 S**

(45) **Date of Patent:** **** May 21, 2013**

(54) **TELEPHONE CORD DETANGLER**

(75) Inventor: **Ricardo A. Tello**, Santa Fe Springs, CA
(US)

(73) Assignee: **Sun Coast Merchandise Corp.**,
Commerce, CA (US)

(**) Term: **14 Years**

(21) Appl. No.: **29/421,407**

(22) Filed: **Jul. 20, 2012**

Related U.S. Application Data

(63) Continuation of application No. 13/068,872, filed on
Jan. 13, 2009.

(51) **LOC (9) Cl.** **13-03**

(52) **U.S. Cl.**
USPC **D13/155**

(58) **Field of Classification Search** D13/155,
D13/133, 147, 154, 184, 199; D8/349, 356;
D11/184; D14/472; 439/152, 153, 176,
439/207

See application file for complete search history.

(56) **References Cited**

U.S. PATENT DOCUMENTS

4,878,848 A * 11/1989 Ingalsbe 439/76.1
D338,654 S * 8/1993 Ditzig D13/147

D341,815 S * 11/1993 Blood et al. D13/133
D456,692 S * 5/2002 Epstein D8/356
D457,861 S * 5/2002 Truong D13/153
D519,085 S * 4/2006 Gull et al. D13/155
D591,678 S * 5/2009 Whitley et al. D13/133
D648,685 S * 11/2011 Symons D13/155
D667,751 S * 9/2012 Dunn D11/184

* cited by examiner

Primary Examiner — Derrick Holland

(74) *Attorney, Agent, or Firm* — Steven E. Shapiro

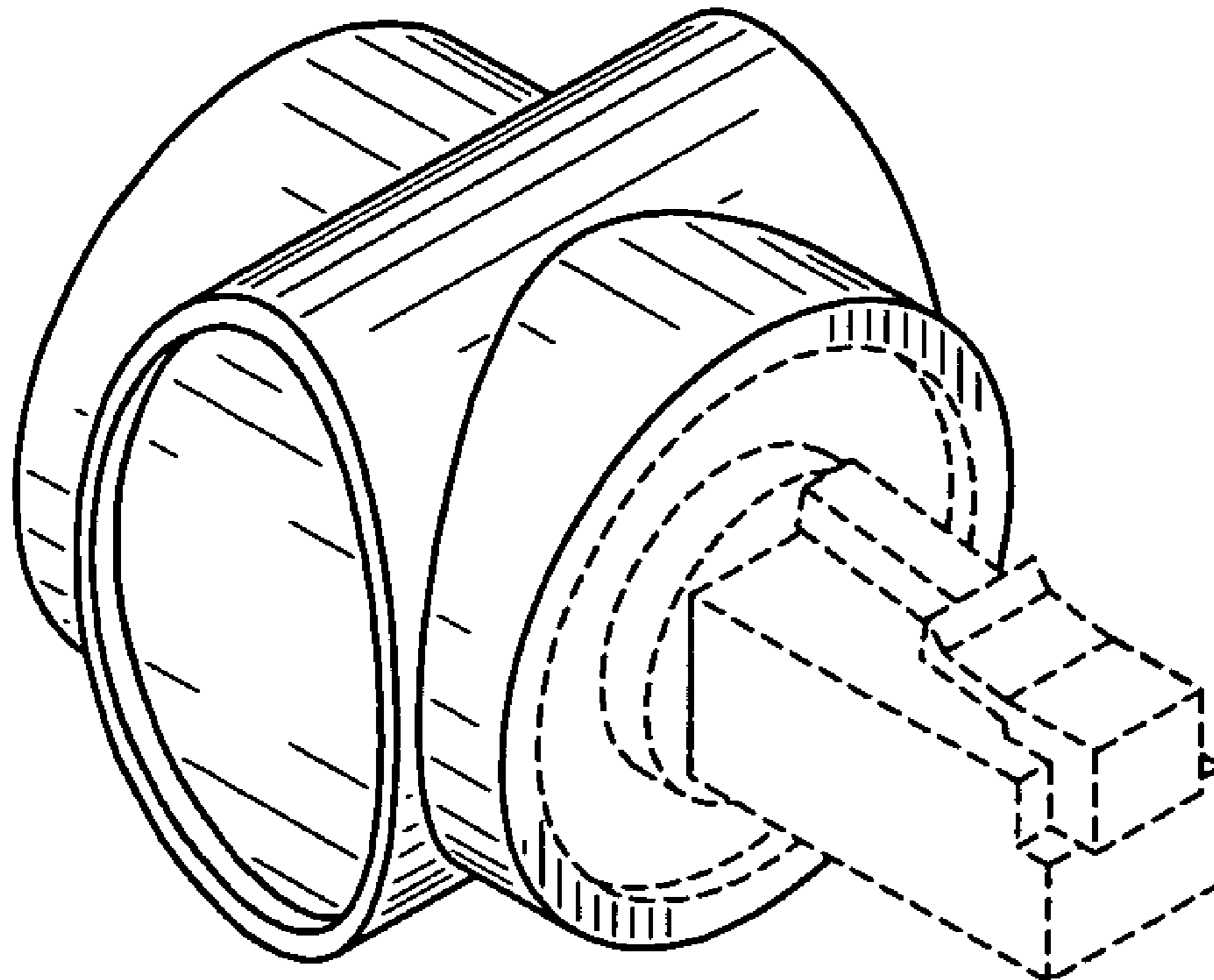
(57) **CLAIM**

The ornamental design for a telephone cord detangler, as
shown and described.

DESCRIPTION

FIG. 1 is a front perspective view of a telephone cord detan-
gler;
FIG. 2 is a rear perspective view of the telephone cord detan-
gler;
FIG. 3 is a front view of the telephone cord detangler;
FIG. 4 is a rear view of the telephone cord detangler;
FIG. 5 is a top view of the telephone cord detangler;
FIG. 6 is a bottom view of the telephone cord detangler;
FIG. 7 is a left side view of the telephone cord detangler; and,
FIG. 8 is a right side view of the telephone cord detangler.
The broken lines shown represent unclaimed subject matter
and form no part of the claimed design.

1 Claim, 4 Drawing Sheets



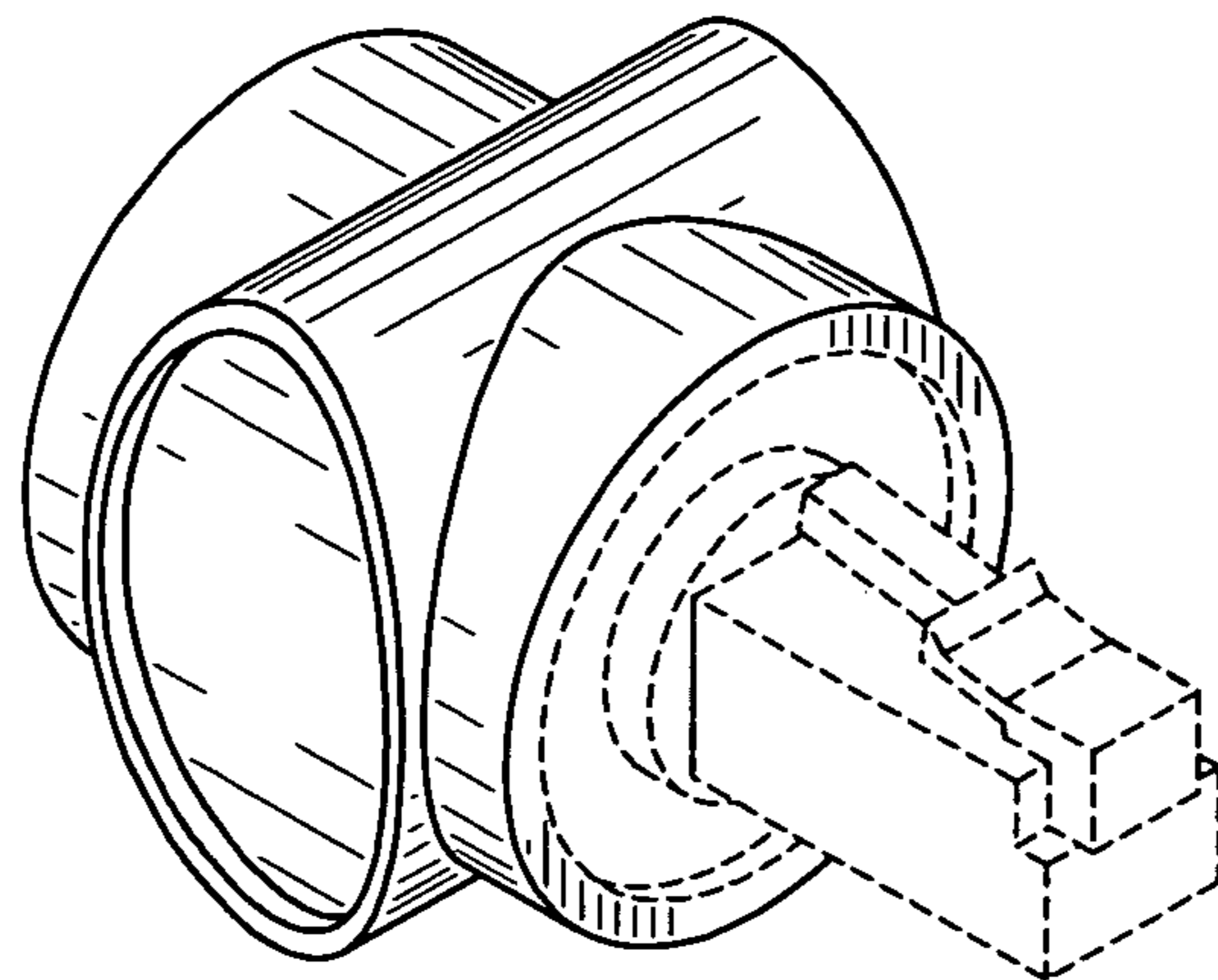


FIG. 1

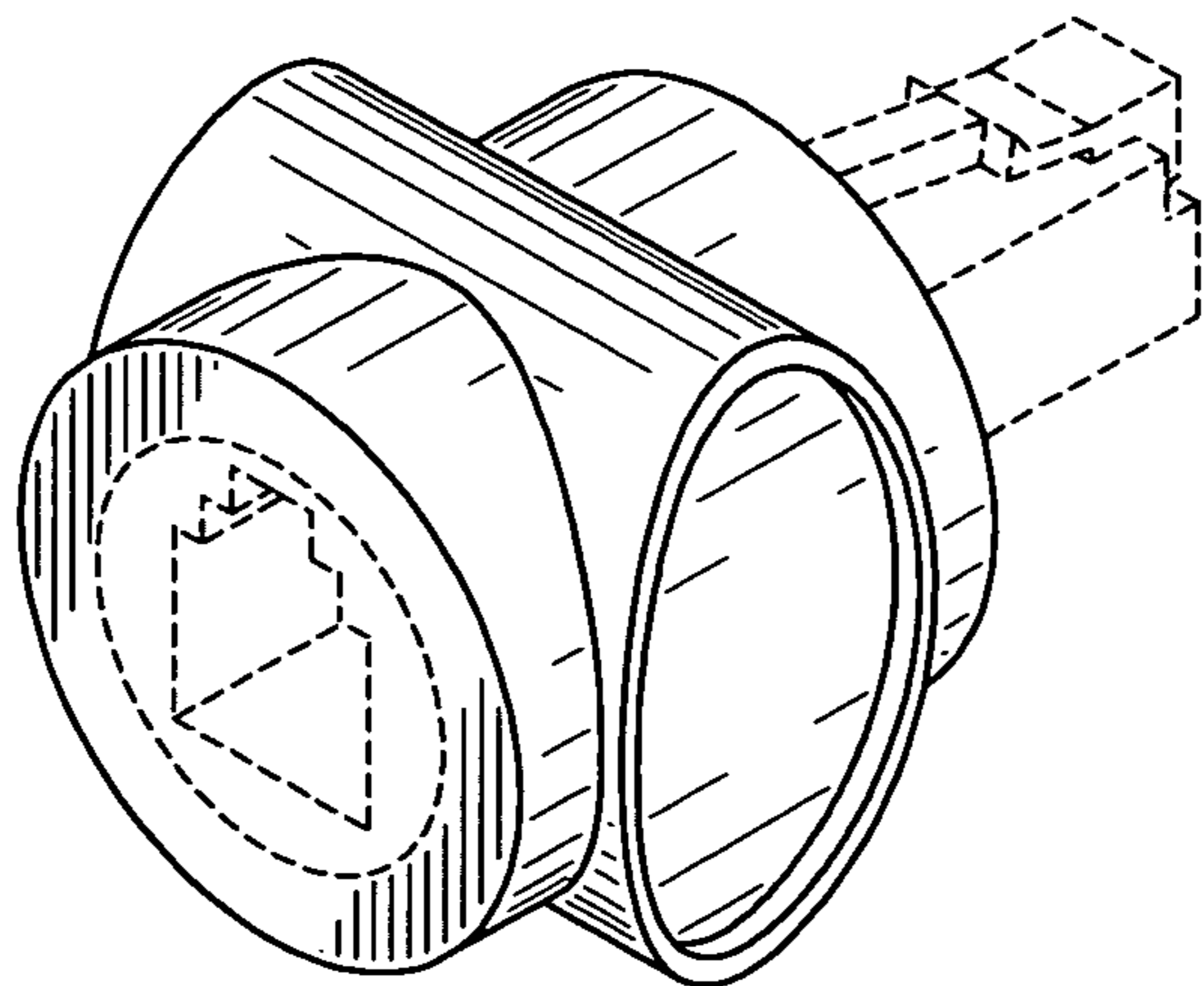


FIG. 2

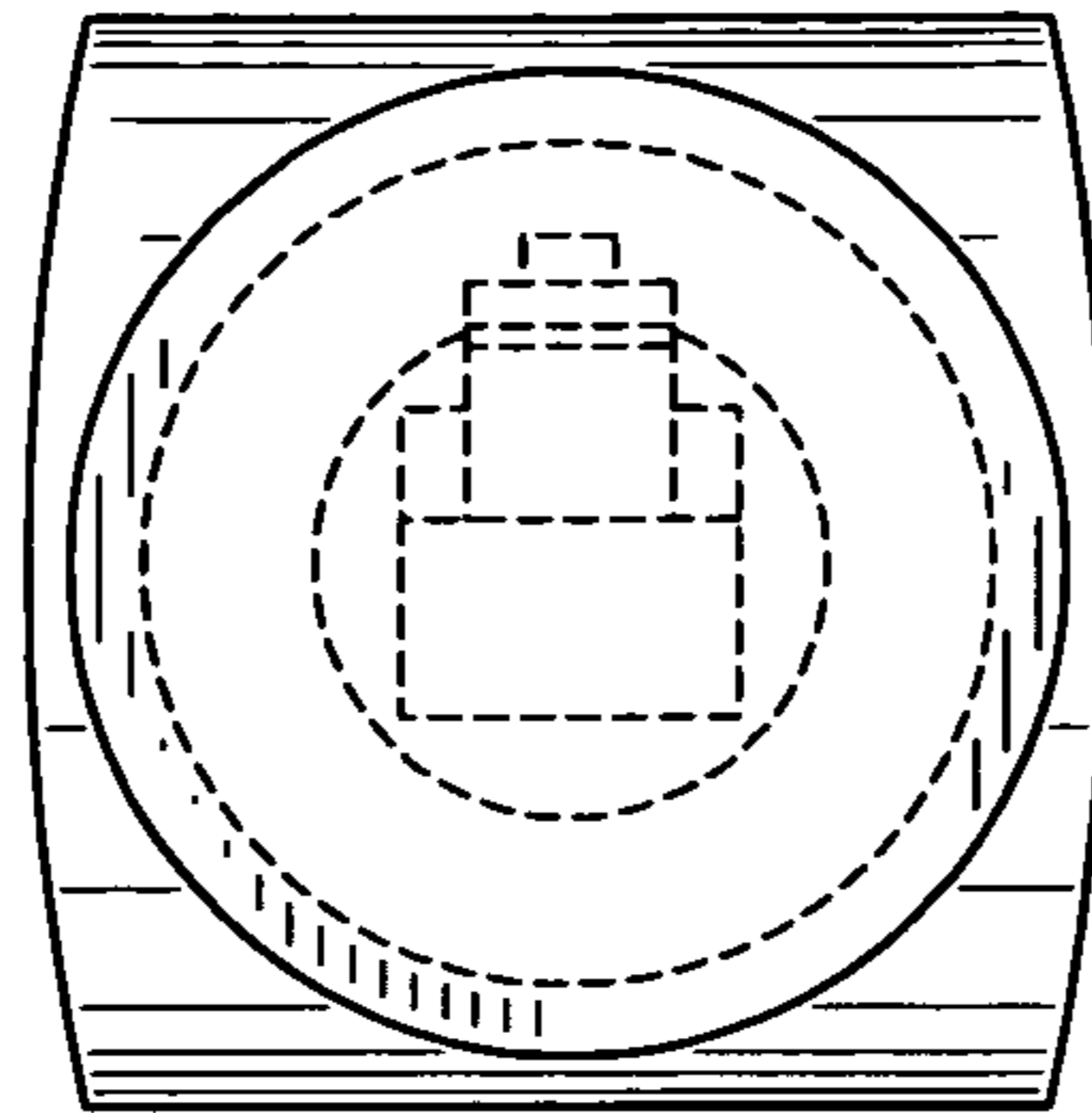


FIG. 3

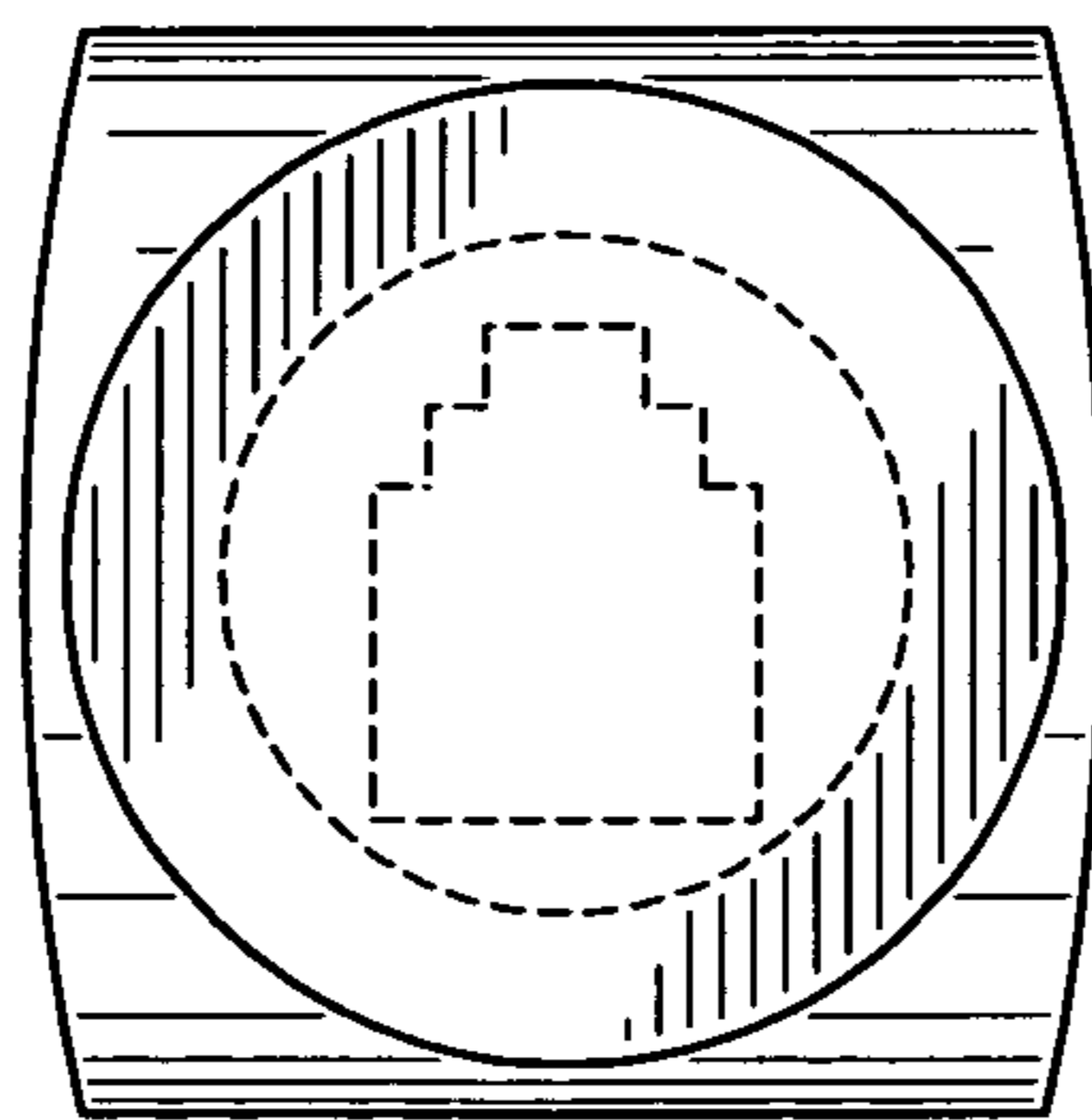


FIG. 4

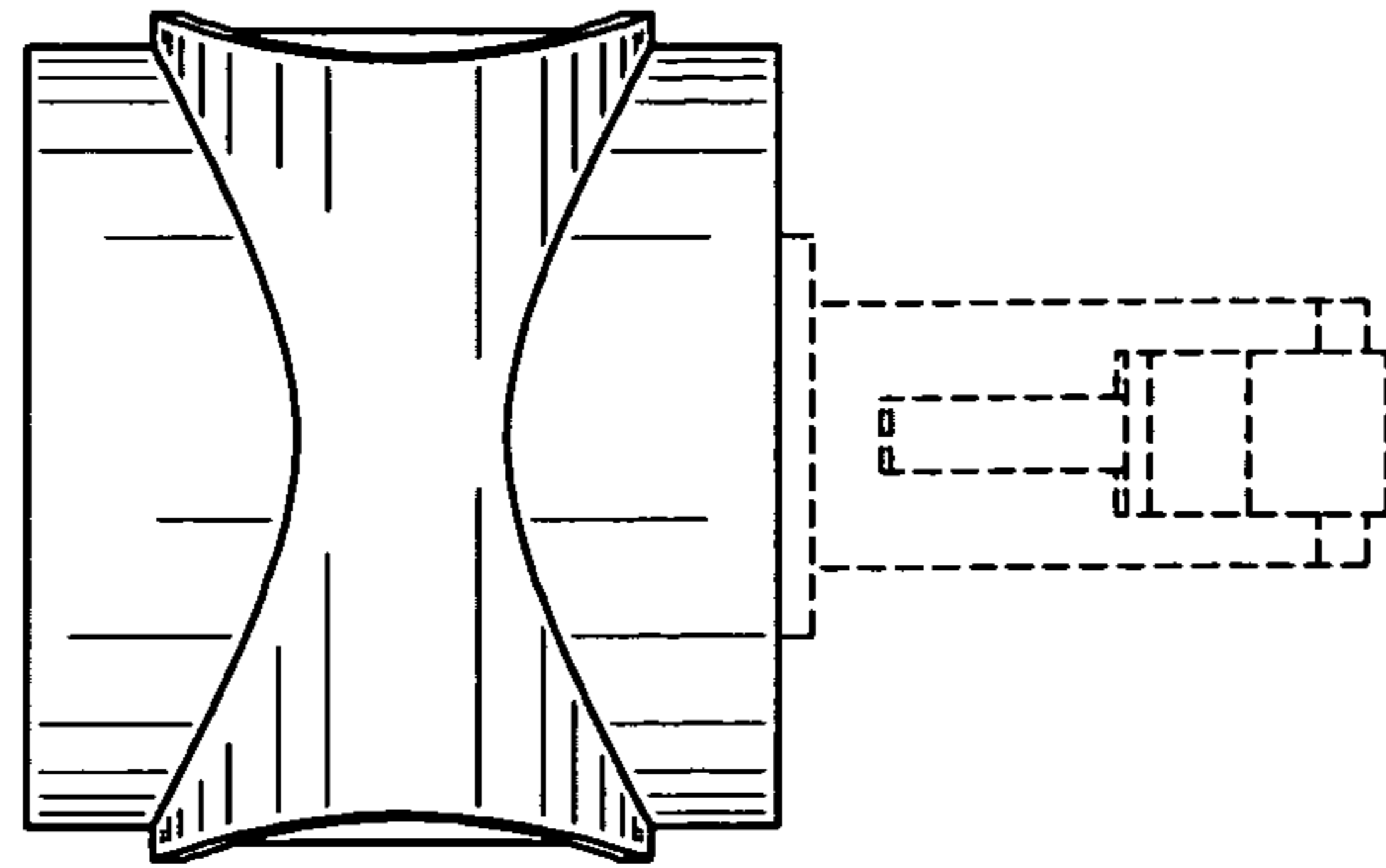


FIG. 5

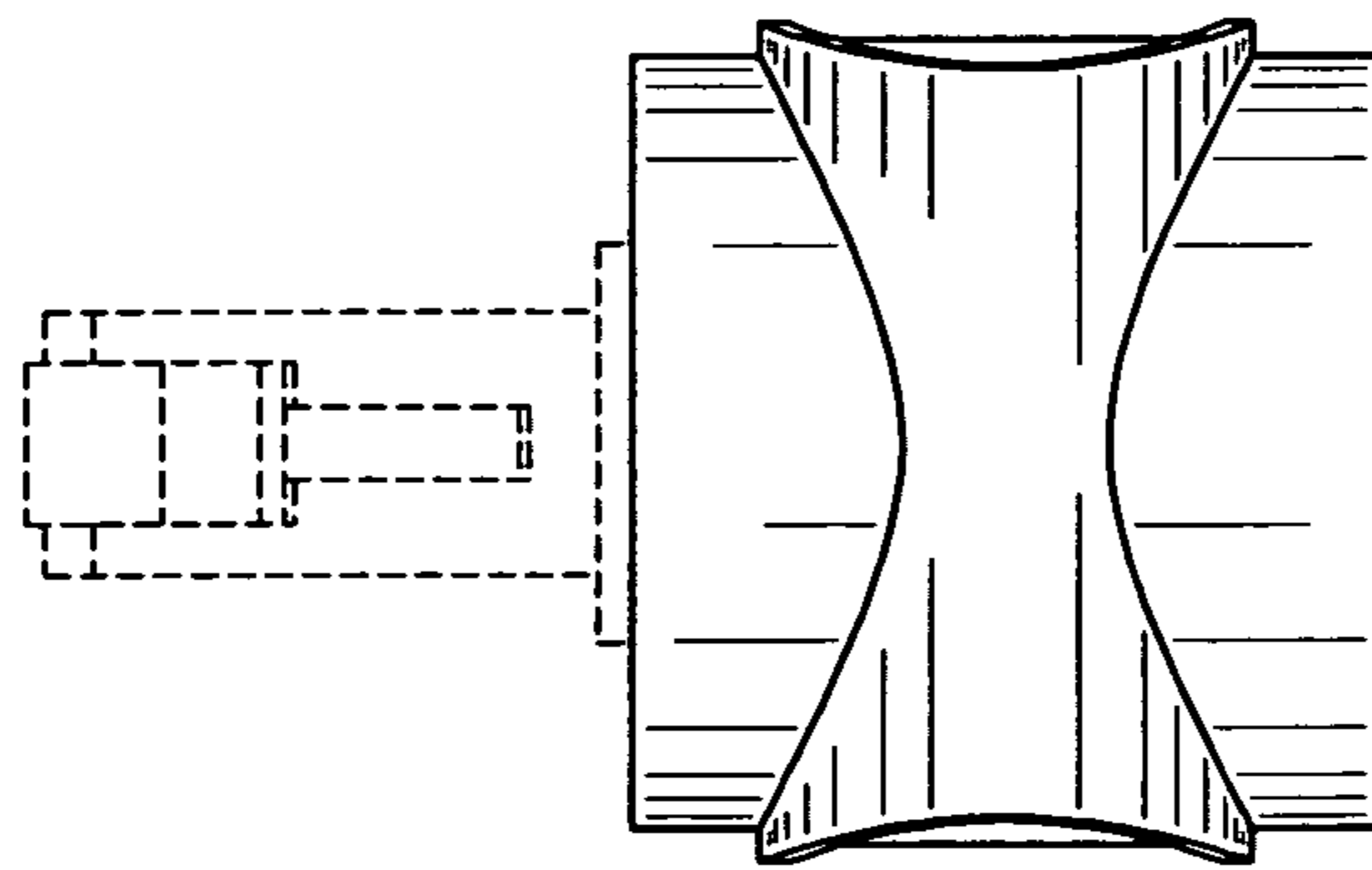


FIG. 6

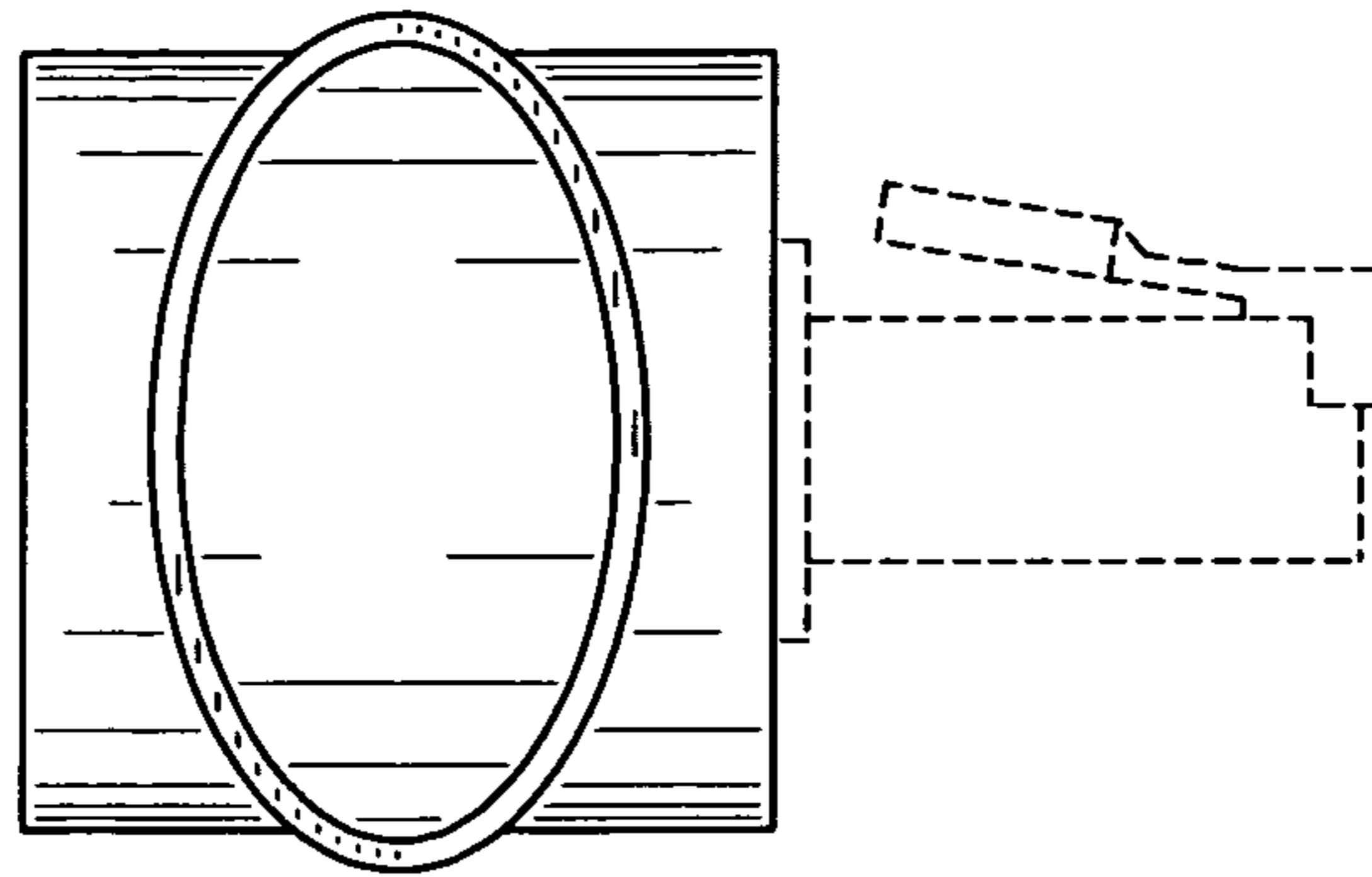


FIG. 7

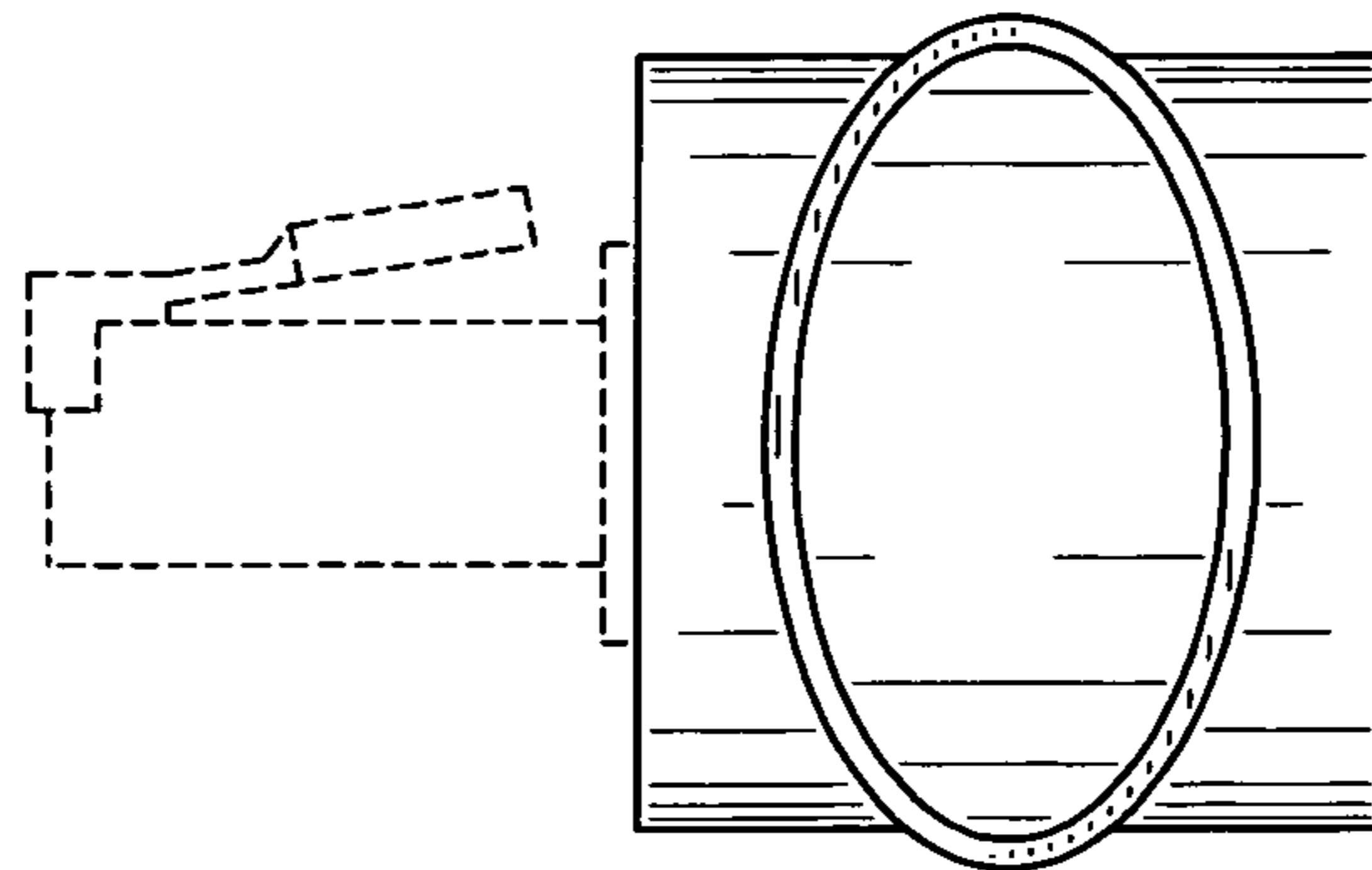


FIG. 8