



US00D682791S

(12) **United States Design Patent**
Nikayin

(10) **Patent No.:** **US D682,791 S**

(45) **Date of Patent:** **** *May 21, 2013**

(54) **UNIVERSAL JUNCTION BOX**

(75) **Inventor:** **David Nikayin**, Los Angeles, CA (US)

(73) **Assignee:** **Orbit Industries, Inc.**, Los Angeles, CA (US)

(*) **Notice:** This patent is subject to a terminal disclaimer.

(**) **Term:** **14 Years**

(21) **Appl. No.:** **29/325,318**

(22) **Filed:** **Sep. 29, 2008**

(51) **LOC (9) Cl.** **13-03**

(52) **U.S. Cl.**
USPC **D13/152**

(58) **Field of Classification Search** D13/139.4,
D13/152, 154, 156, 158, 160, 162-164, 173,
D13/184, 199; 174/50, 53-55, 58, 60, 66,
174/67; 220/3.2, 3.3, 3.7-3.9, 241, 242,
220/244, 315; 439/135, 136, 138, 142, 367,
439/373, 535, 536, 537, 541, 892, 893

See application file for complete search history.

(56) **References Cited**

U.S. PATENT DOCUMENTS

3,197,548	A *	7/1965	Weitzman et al.	174/58
3,215,769	A *	11/1965	Slater	174/53
3,288,910	A *	11/1966	Zerwes	174/53
3,340,349	A *	9/1967	Zerwes	174/53

D272,242	S *	1/1984	Holce et al.	D13/184
D273,783	S *	5/1984	Holce et al.	D13/184
D339,794	S *	9/1993	Powell et al.	D13/152
D404,712	S *	1/1999	Hsiang	D13/147
5,907,127	A *	5/1999	Daoud	174/57
D410,435	S *	6/1999	Hambleton	D13/156
5,914,863	A *	6/1999	Shen	361/752
D471,159	S *	3/2003	Albicker	D13/152
D499,330	S *	12/2004	Peato	D8/383
D507,241	S *	7/2005	Koessler	D13/152
D563,895	S *	3/2008	Stuckmann et al.	D13/152
D563,896	S *	3/2008	Greenslate	D13/152
D619,098	S *	7/2010	Mike	D13/152
2010/0122826	A1 *	5/2010	de la Borbolla	174/54

* cited by examiner

Primary Examiner — Rosemary K Tarcza

(74) *Attorney, Agent, or Firm* — K. David Crockett, Esq.;
Paul J. Backofen, Esq.; Crockett & Crockett, PC

(57) **CLAIM**

The ornamental design for a universal junction box, as shown and described.

DESCRIPTION

FIG. 1 is a top view of a universal junction box cover and plugs.

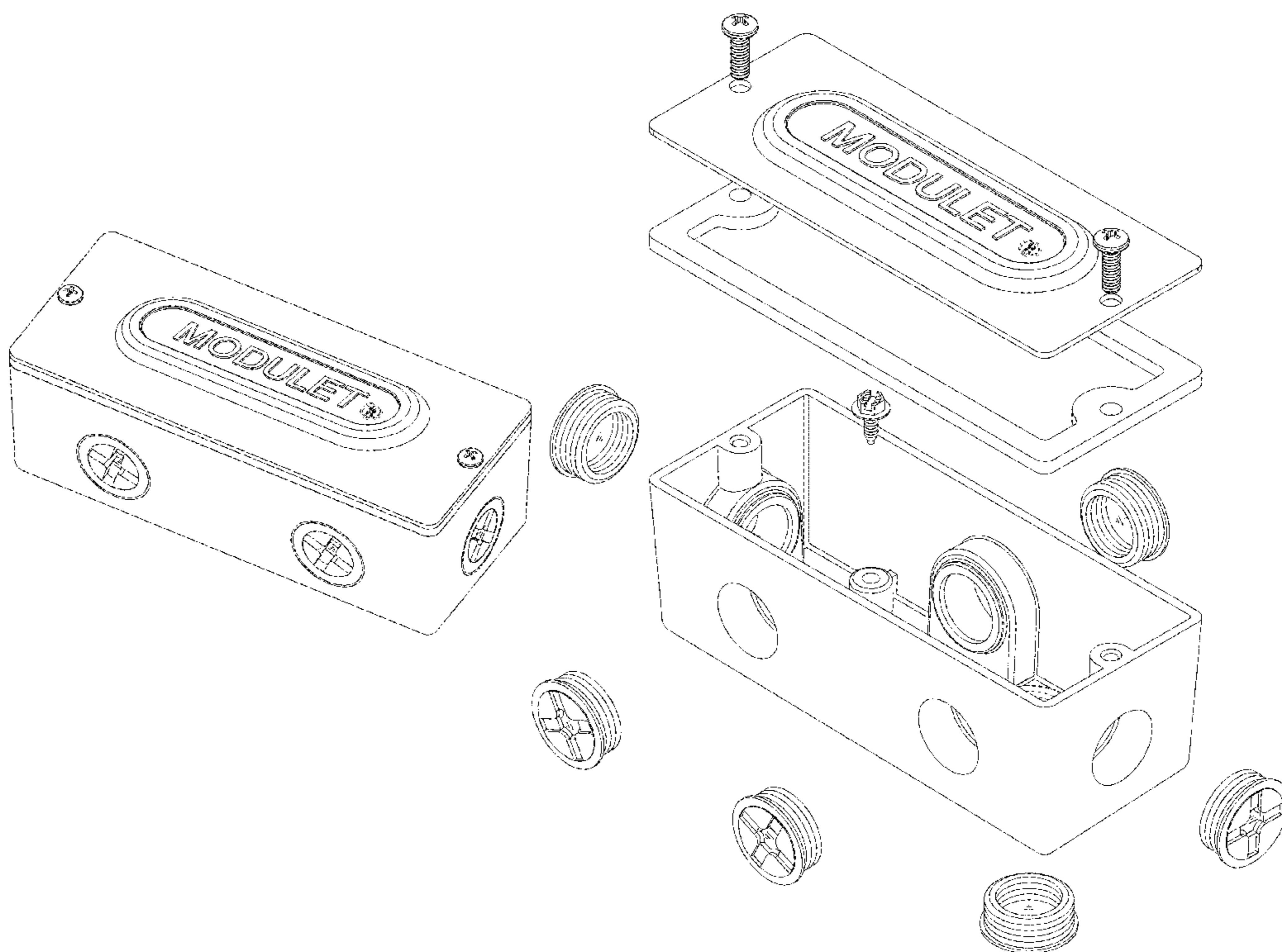
FIG. 2 is an end view of the universal junction box of FIG. 1.

FIG. 3 is a side view of the universal junction box of FIG. 1.

FIG. 4 is a perspective view of the universal junction box of FIG. 1; and,

FIG. 5 is an exploded perspective view of a universal junction box with cover and plugs.

1 Claim, 2 Drawing Sheets



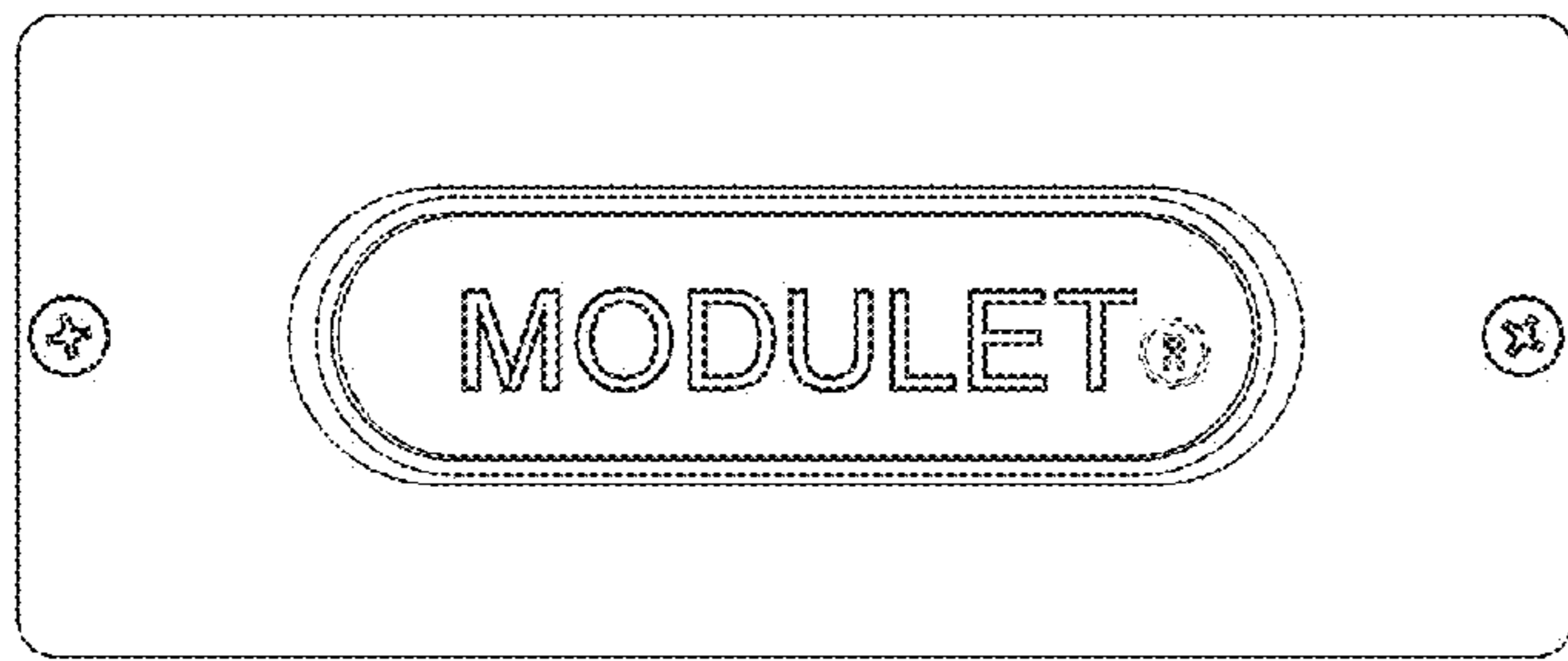


Fig. 1

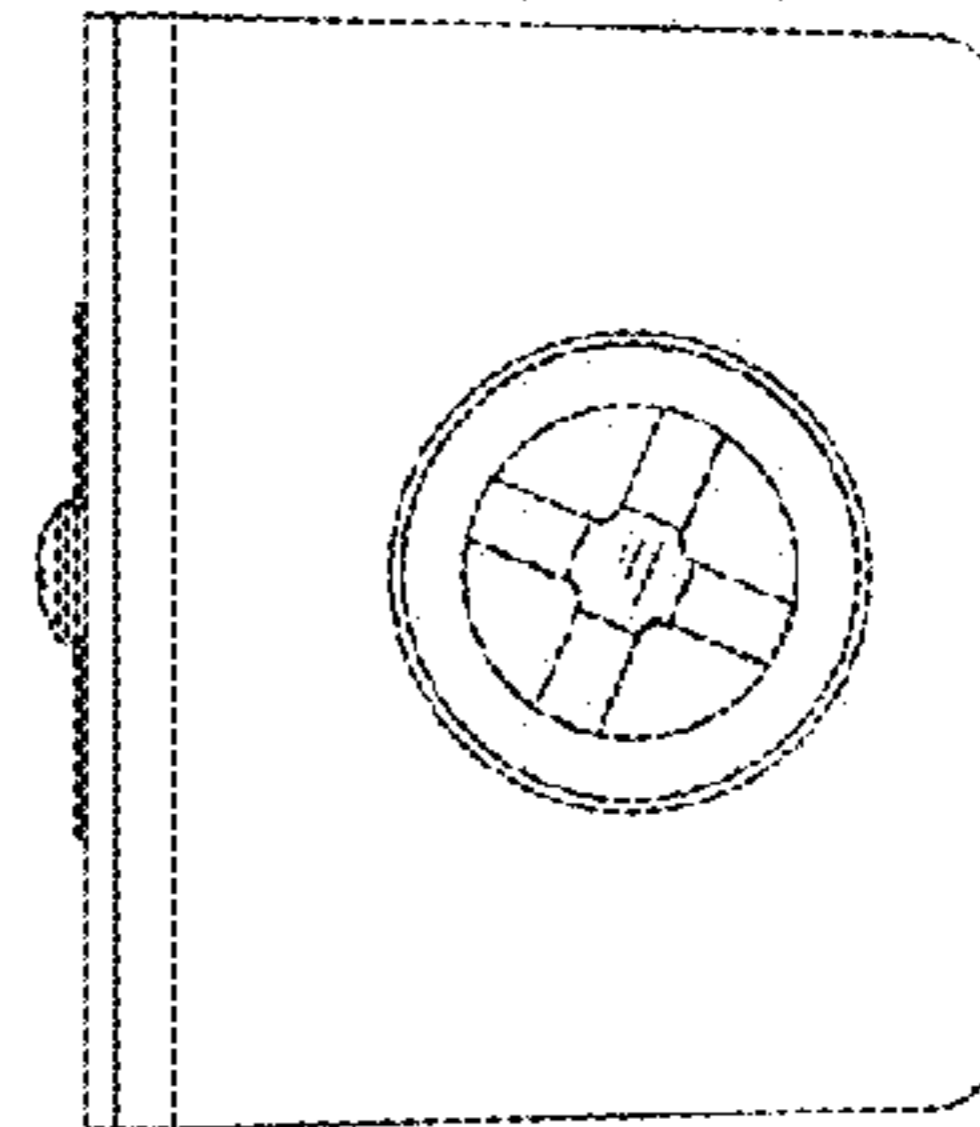


Fig. 2

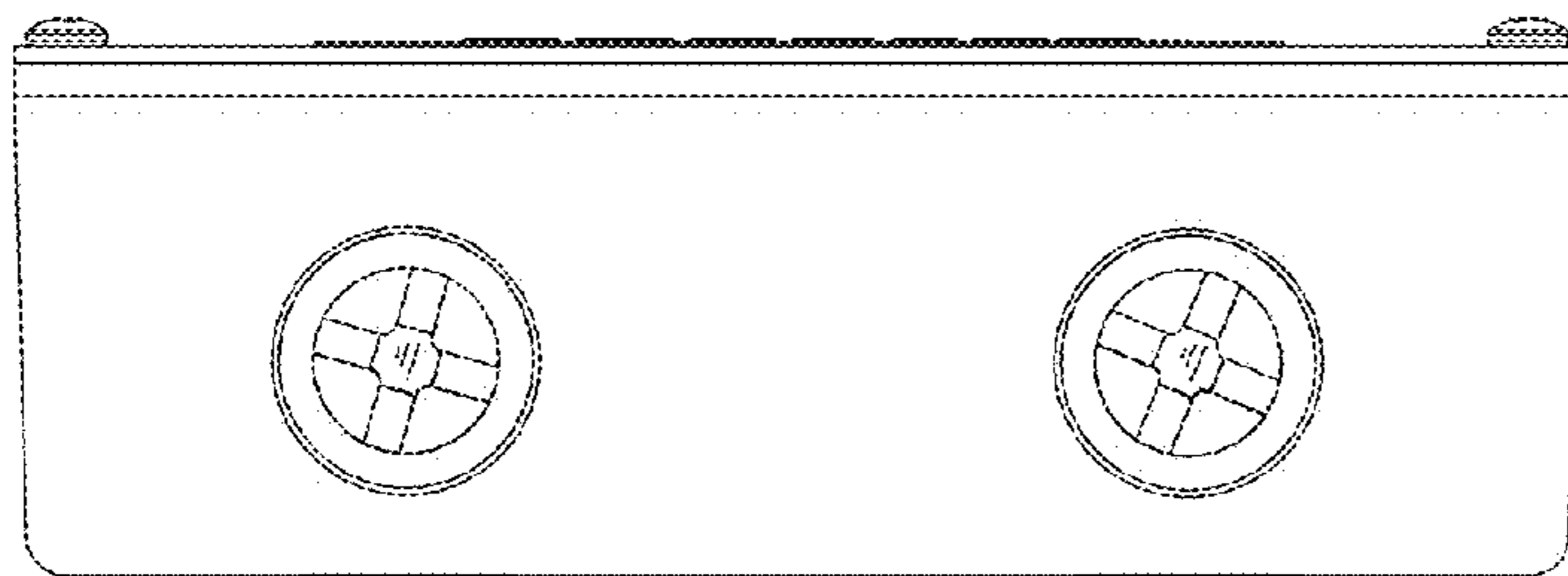


Fig. 3

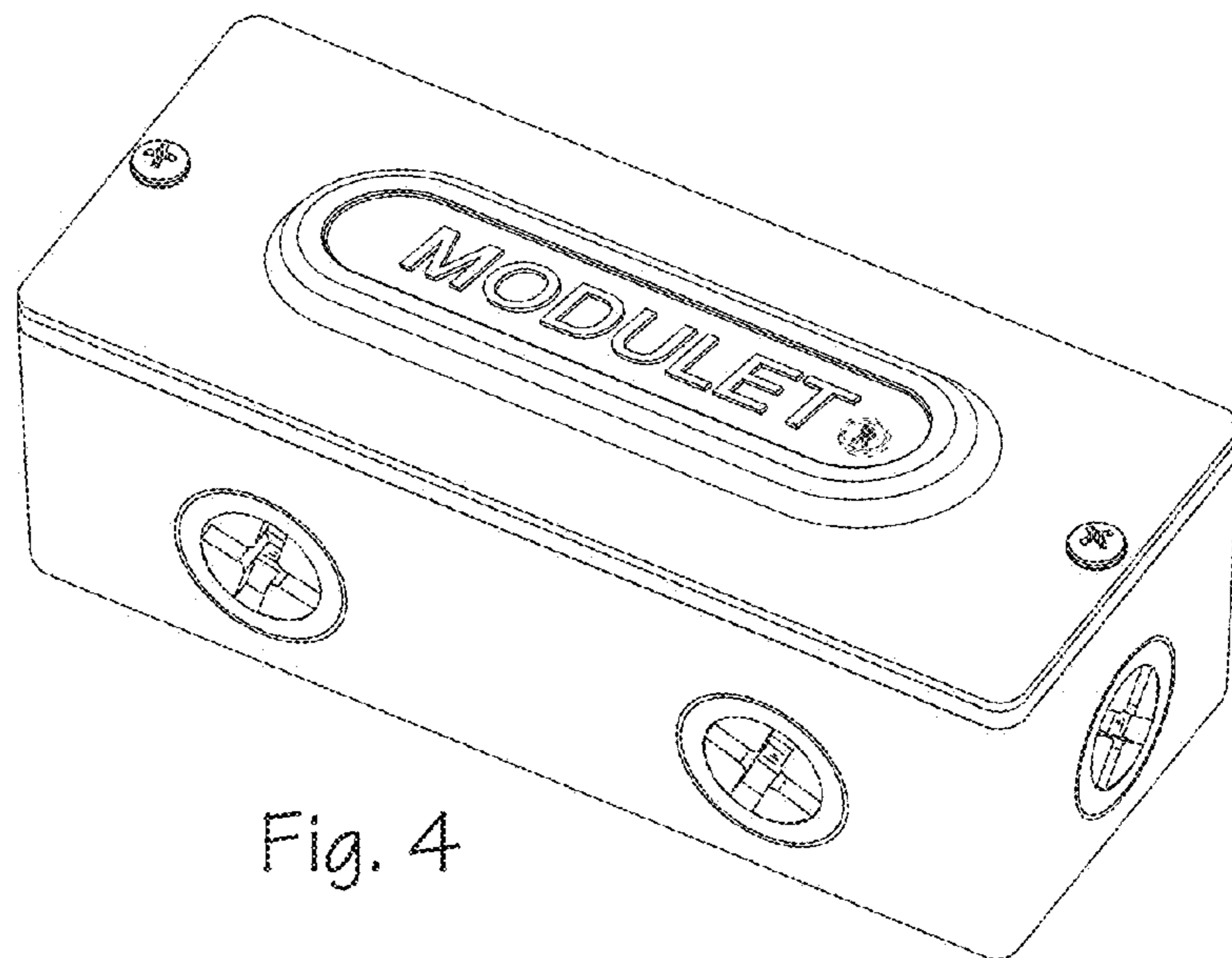


Fig. 4

