

US00D682785S

(12) **United States Design Patent**  
**Liebert et al.**

(10) **Patent No.:** **US D682,785 S**

(45) **Date of Patent:** **\*\* May 21, 2013**

(54) **WELDING POWER SUPPLY ROLL CAGE WITH INCORPORATED LIFT HANDLES**

(75) Inventors: **Scott Liebert**, Freedom, WI (US);  
**Markus Dantine**, Combined Locks, WI (US)

(73) Assignee: **Illinois Tool Works Inc.**, Glenview, IL (US)

(\*\*) Term: **14 Years**

(21) Appl. No.: **29/429,469**

(22) Filed: **Aug. 10, 2012**

(51) **LOC (9) Cl.** ..... **13-01**

(52) **U.S. Cl.**  
USPC ..... **D13/116**

(58) **Field of Classification Search** ..... D13/116,  
D13/112, 114, 122, 184, 199; D6/329, 462;  
D15/33; D34/12, 17, 23, 24, 26; 219/56,  
219/57; 290/1 A, 1 B, 1 R; 307/150, 153;  
310/50, 89, 158, 418; 123/2, 3  
See application file for complete search history.

(56) **References Cited**

**U.S. PATENT DOCUMENTS**

D276,997 S \* 1/1985 Mikado ..... D13/116  
4,503,812 A \* 3/1985 Eberhardt ..... 123/2  
D472,519 S \* 4/2003 Buck ..... D13/114

D484,565 S \* 12/2003 Ariaz ..... D23/200  
6,758,169 B2 \* 7/2004 Suzuki et al. .... 123/3  
D501,182 S \* 1/2005 Buck ..... D13/110  
D580,860 S \* 11/2008 Xi-Ren ..... D13/122  
D638,794 S \* 5/2011 Kato ..... D13/116  
D641,768 S \* 7/2011 Bender et al. .... D15/144  
D644,174 S \* 8/2011 Fujiki ..... D13/116

\* cited by examiner

*Primary Examiner* — Derrick Holland

(74) *Attorney, Agent, or Firm* — Fletcher Yoder P.C.

(57) **CLAIM**

The ornamental design for a welding power supply roll cage with incorporated lift handles, as shown and described.

**DESCRIPTION**

FIG. 1 is a front right top perspective view of a welding power supply roll cage with incorporated lift handles showing our new design;

FIG. 2 is a front right bottom perspective view thereof;

FIG. 3 is a side elevation view thereof;

FIG. 4 is a front elevation view thereof;

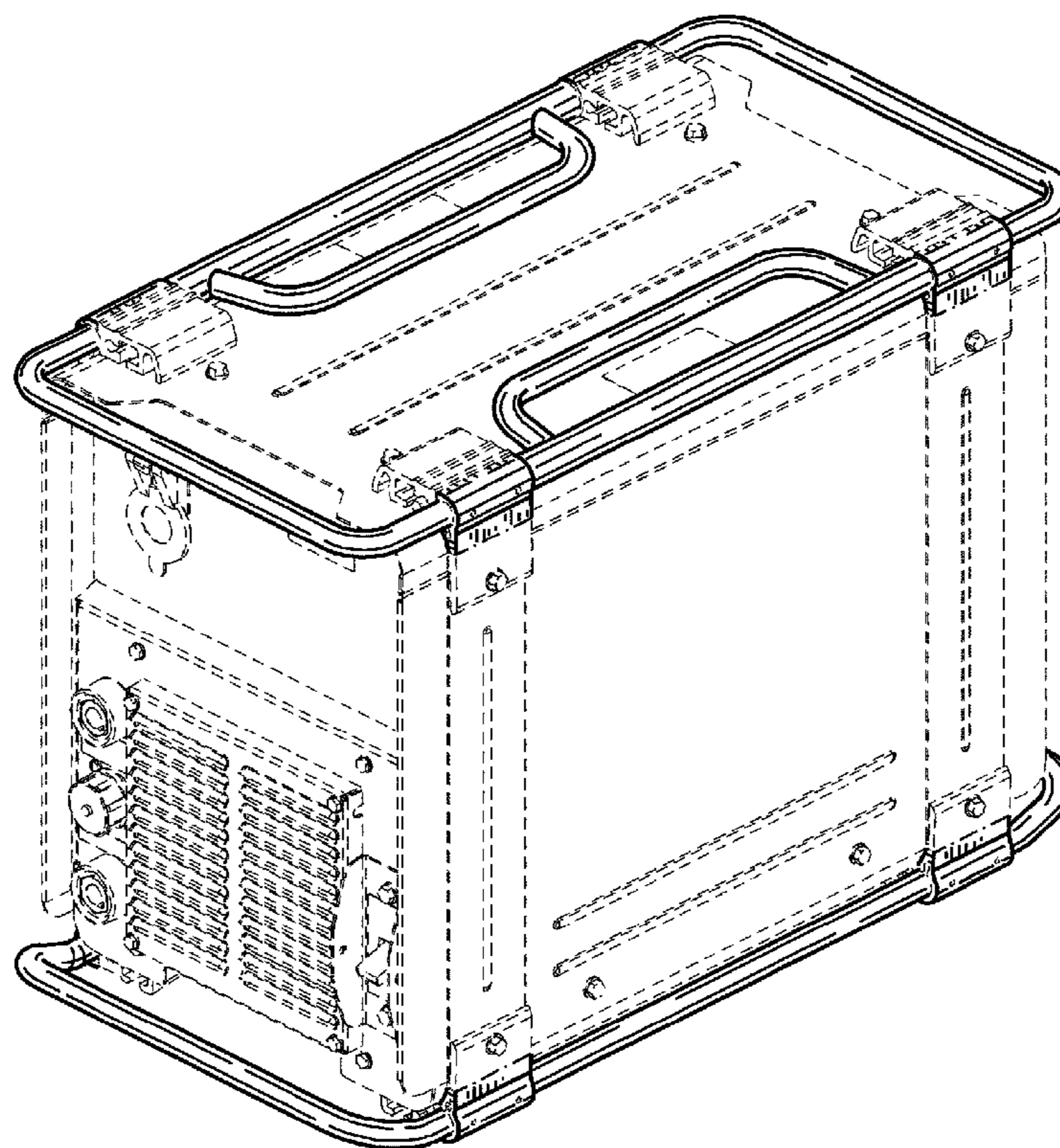
FIG. 5 is a rear elevation view thereof;

FIG. 6 is a top plan view thereof; and,

FIG. 7 is a bottom plan view thereof.

In these drawings, the solid lines illustrate the claimed ornamental design, whereas the broken lines illustrate environmental features that form no part of the claimed ornamental design.

**1 Claim, 5 Drawing Sheets**



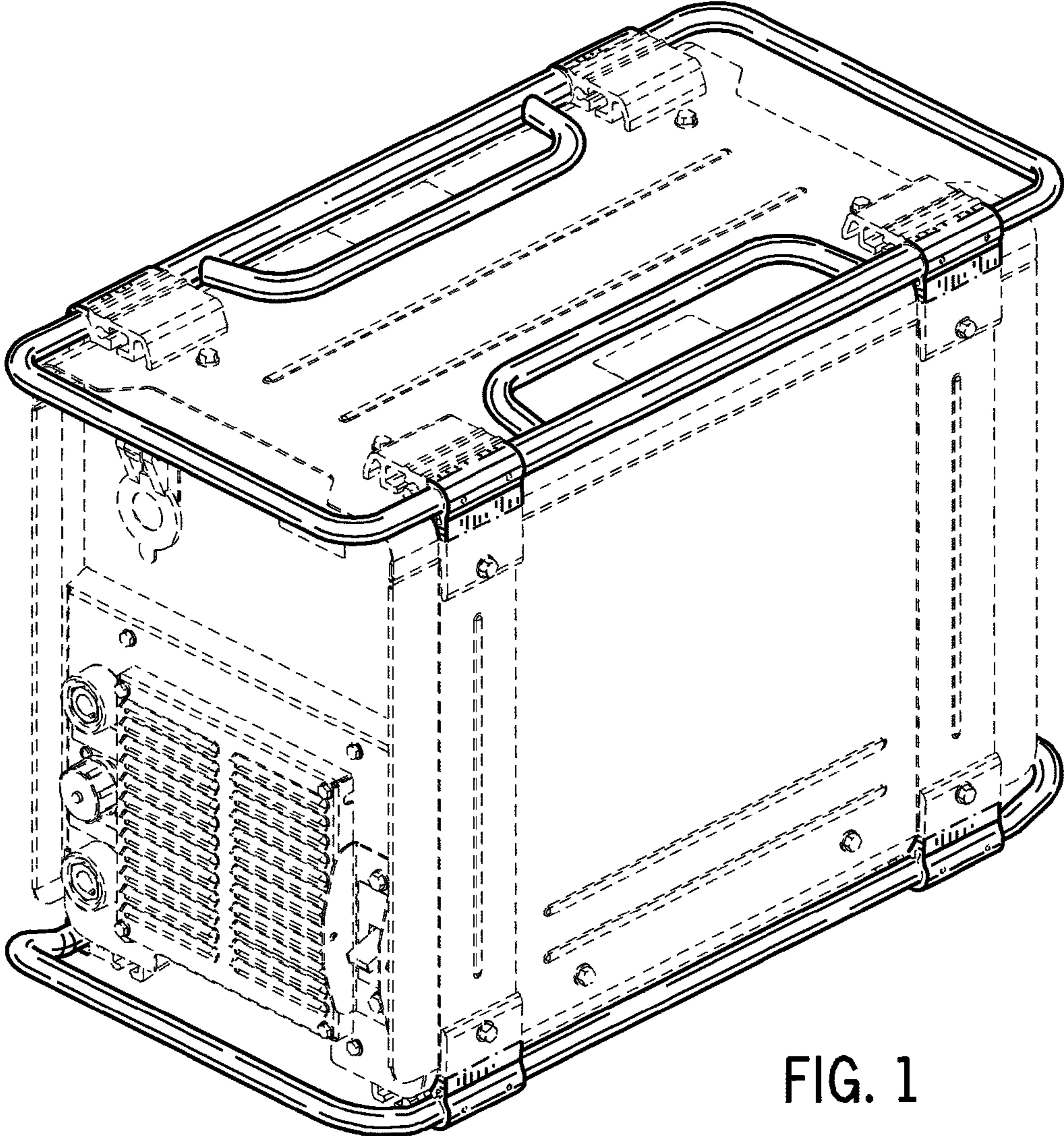


FIG. 1

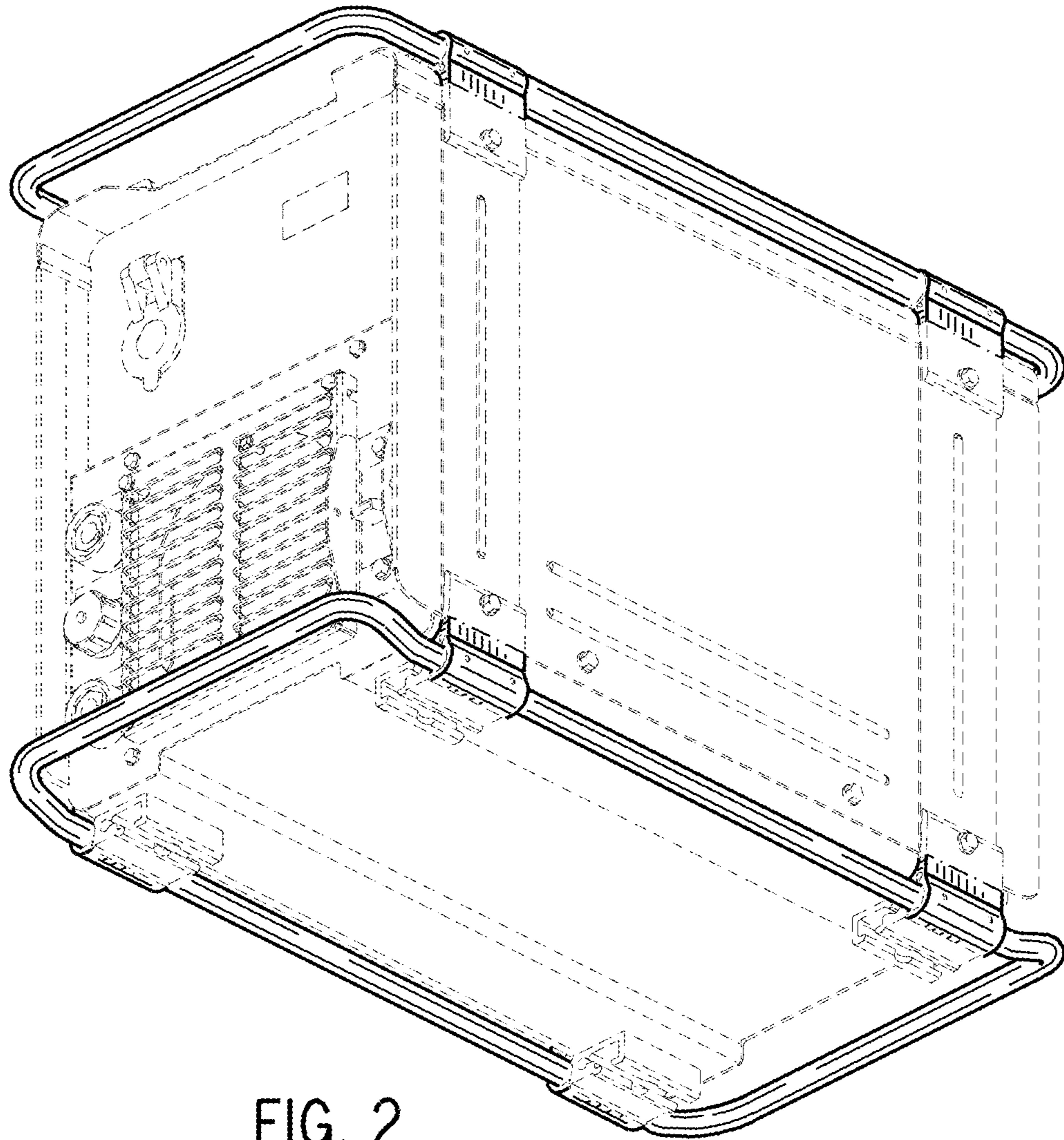


FIG. 2

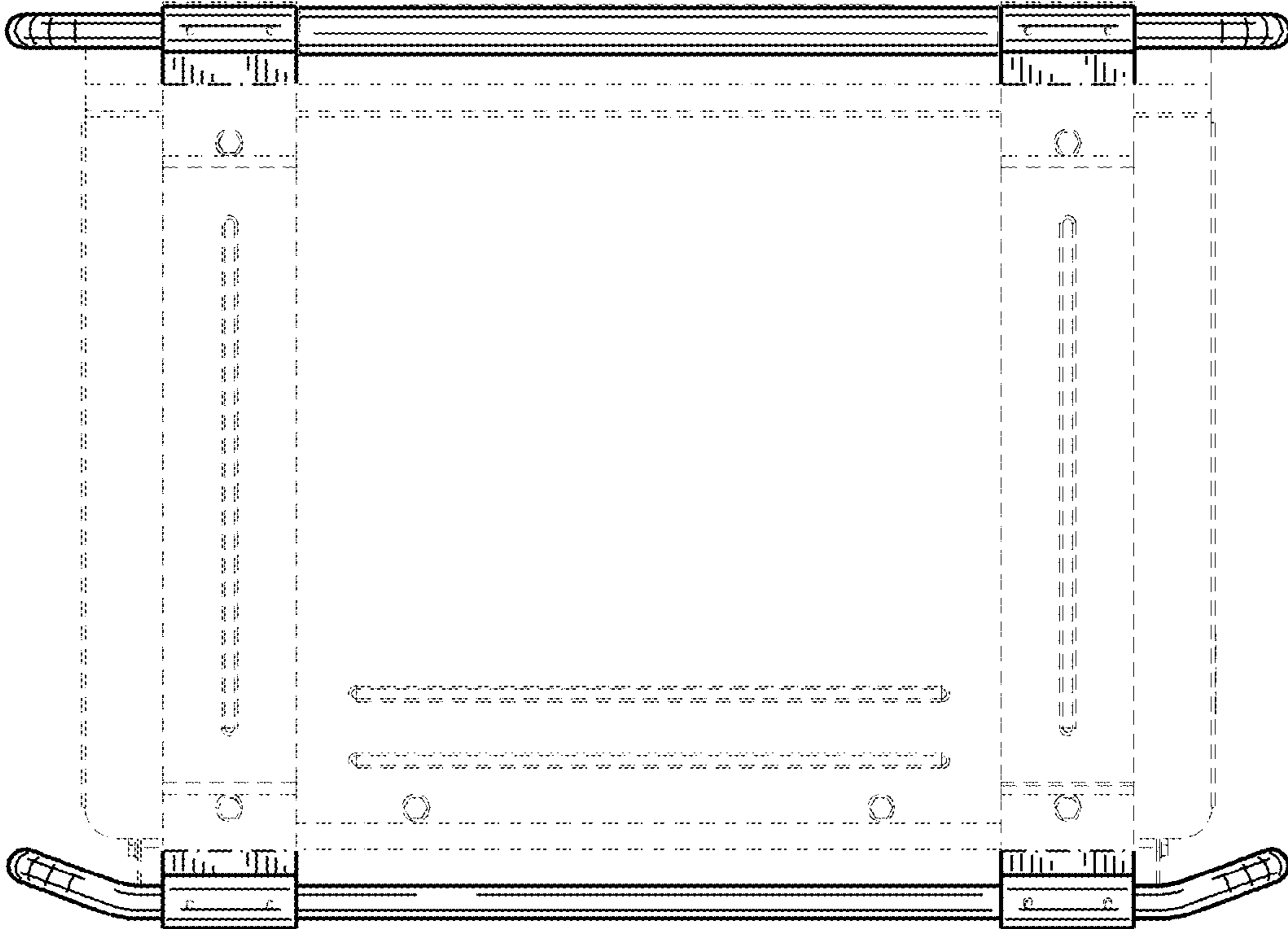


FIG. 3

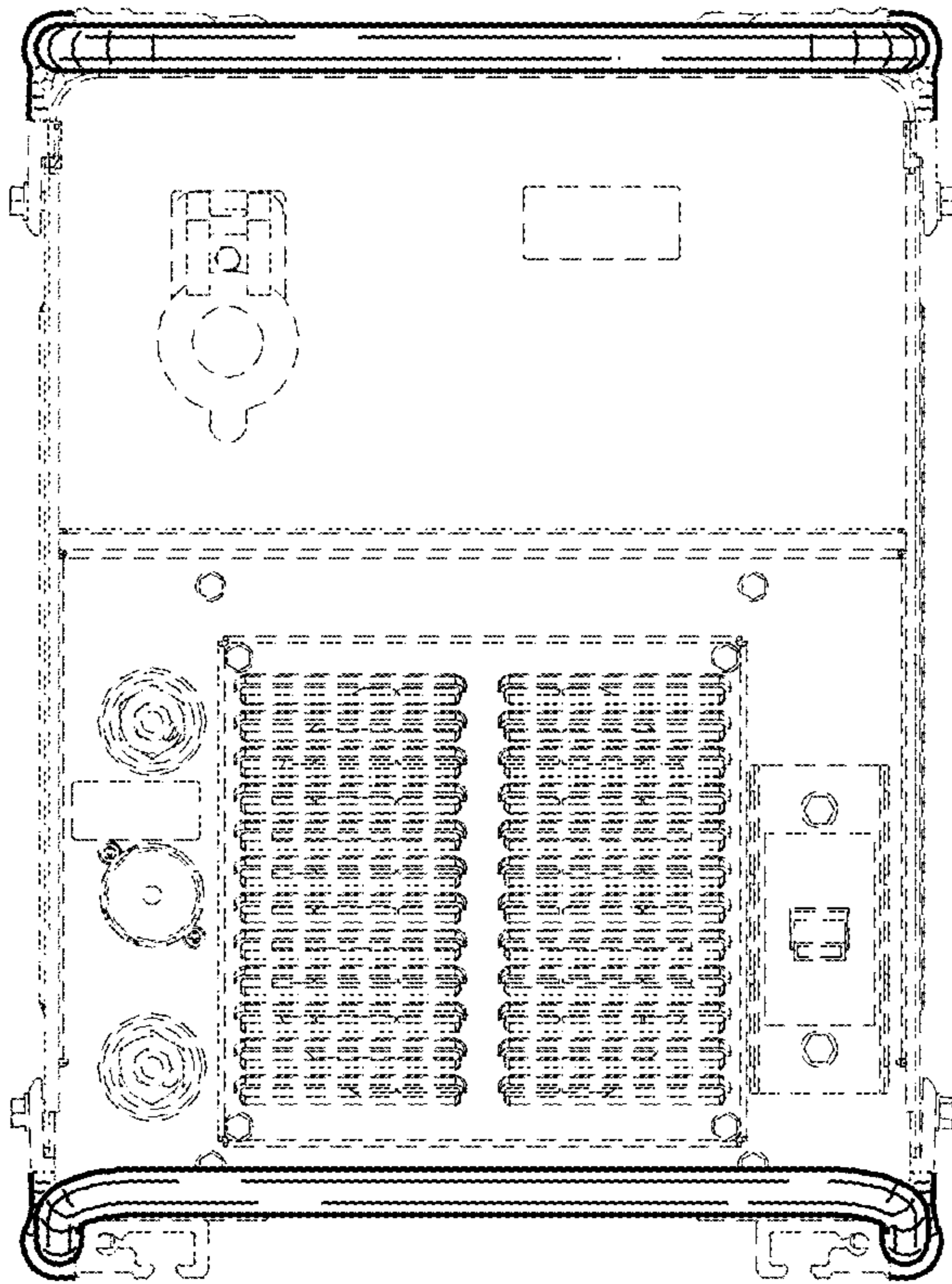


FIG. 4

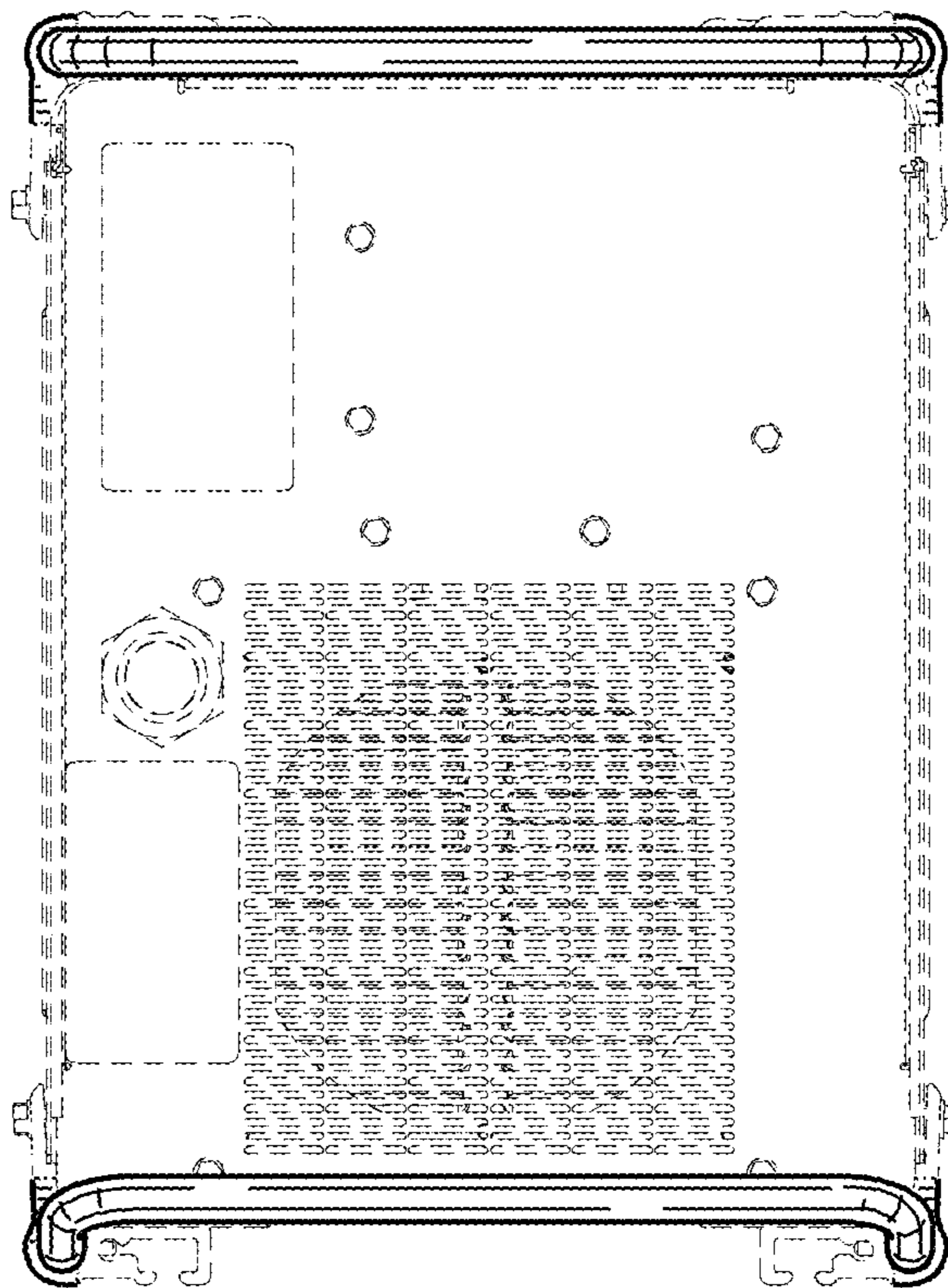


FIG. 5

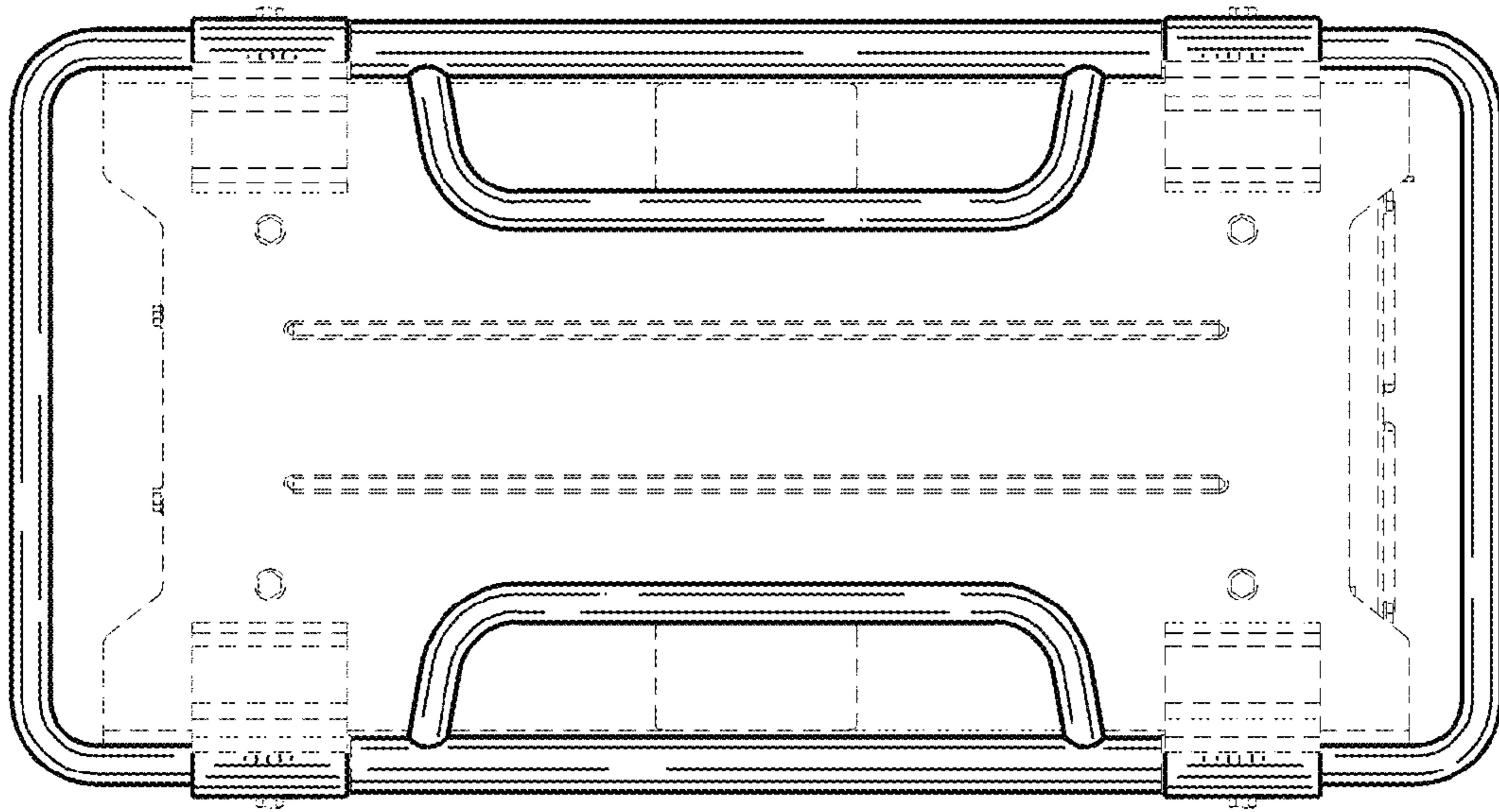


FIG. 6

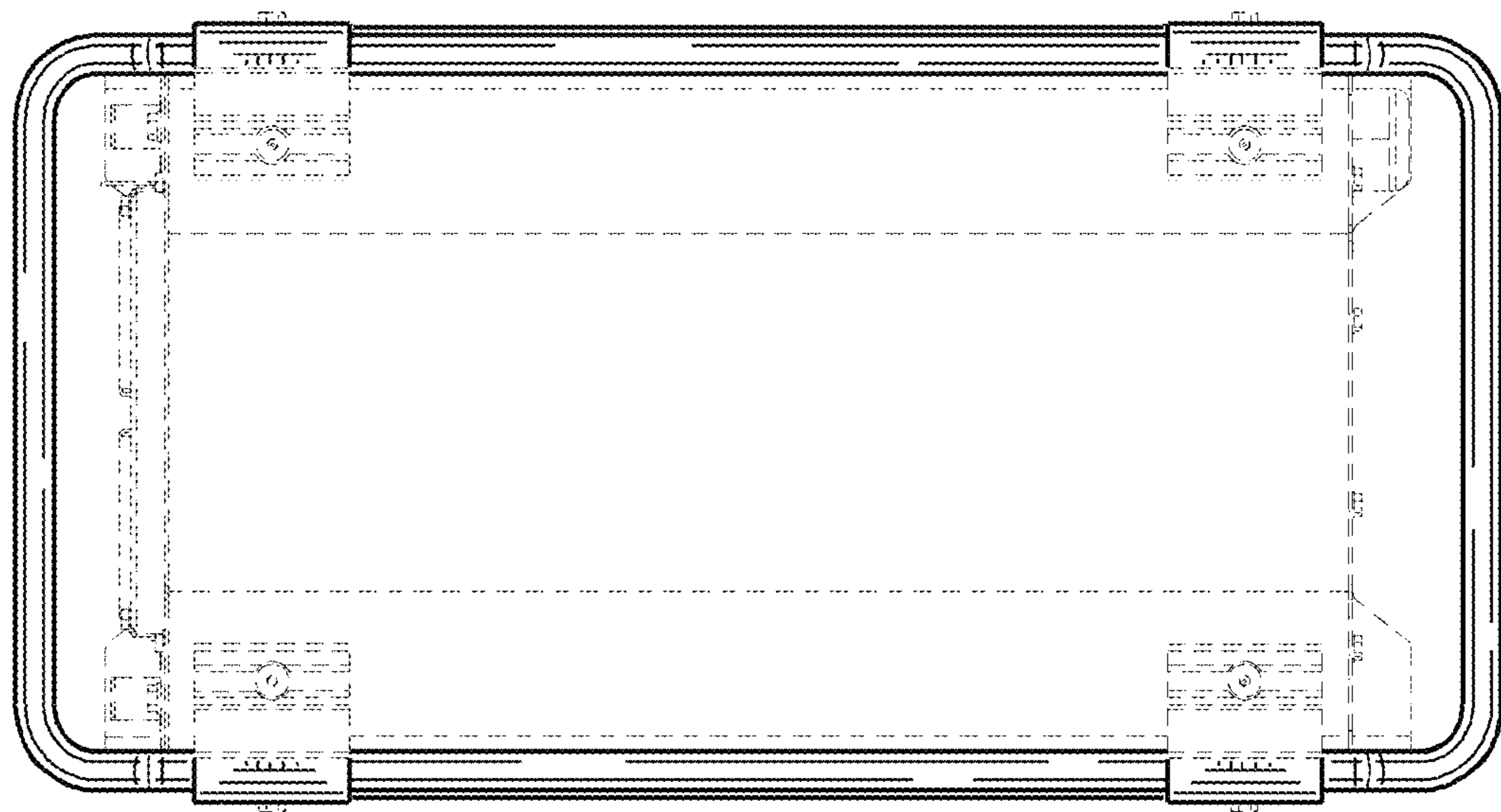


FIG. 7