



US00D682784S

(12) **United States Design Patent**
Tomczak

(10) **Patent No.:** **US D682,784 S**

(45) **Date of Patent:** **** May 21, 2013**

(54) **ELECTRIC MOTOR AND GENERATOR**

(75) **Inventor:** **Christoph Tomczak**, Erlangen (DE)

(73) **Assignee:** **Siemens Aktiengesellschaft**, München (DE)

(**) **Term:** **14 Years**

(21) **Appl. No.:** **29/414,937**

(22) **Filed:** **Mar. 6, 2012**

(51) **LOC (9) Cl.** **13-01**

(52) **U.S. Cl.**
USPC **D13/114**

(58) **Field of Classification Search**

USPC D13/112, 113, 114, 122, 199; D15/3, D15/5, 199; 74/606 R, 609; 310/10, 40 R, 310/42, 51, 52, 58, 64, 71, 80, 83, 85, 88, 310/89, 91, 109, 236, 239, 254; 318/245, 318/255; 322/16, 39; 361/688, 704, 709; 29/596-598

See application file for complete search history.

(56) **References Cited**

U.S. PATENT DOCUMENTS

D287,715 S * 1/1987 Pittman et al. D13/112
D306,009 S * 2/1990 Mintz et al. D13/112
D336,890 S * 6/1993 Hirose et al. D13/112
D424,516 S * 5/2000 Friedrichsen D13/112
D576,941 S * 9/2008 Evon et al. D13/112
D587,648 S * 3/2009 Lannoch D13/112

D597,943 S * 8/2009 Lin et al. D13/112
D601,958 S * 10/2009 Huan et al. D13/112
7,687,945 B2 * 3/2010 Matin et al. 310/64
D625,256 S * 10/2010 Oshimori et al. D13/112

* cited by examiner

Primary Examiner — Derrick Holland

(74) *Attorney, Agent, or Firm* — Henry M. Feiereisen, LLC

(57) **CLAIM**

The ornamental design for an electric motor and generator, as shown and described.

DESCRIPTION

FIG. 1 is a front elevational view of an electric motor and generator showing my new design;
FIG. 2 is a rear elevational view thereof;
FIG. 3 is a top plan view thereof;
FIG. 4 is a bottom plan view thereof;
FIG. 5 is a right side elevational view thereof;
FIG. 6 is a left side elevational view thereof; and
FIG. 7 is a front, top and right side perspective view thereof.
FIG. 8 is a front elevational view of a second embodiment of the electric motor and generator showing my new design;
FIG. 9 is a rear elevational view thereof;
FIG. 10 is a top plan view thereof;
FIG. 11 is a bottom plan view thereof;
FIG. 12 is a right side elevational view thereof;
FIG. 13 is a left side elevational view thereof; and,
FIG. 14 is a front, top and right side perspective view thereof.

1 Claim, 14 Drawing Sheets

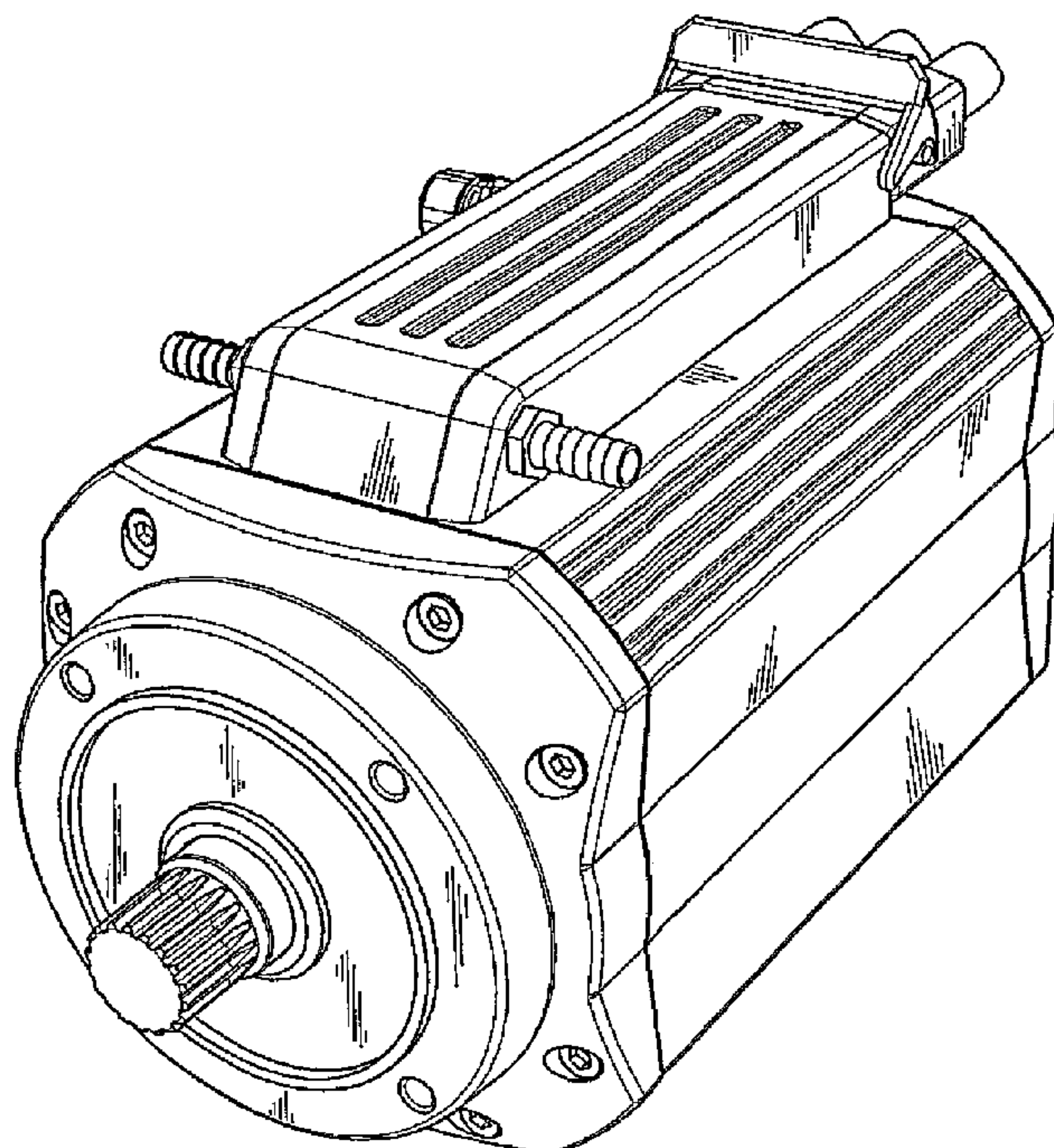


FIG. 1

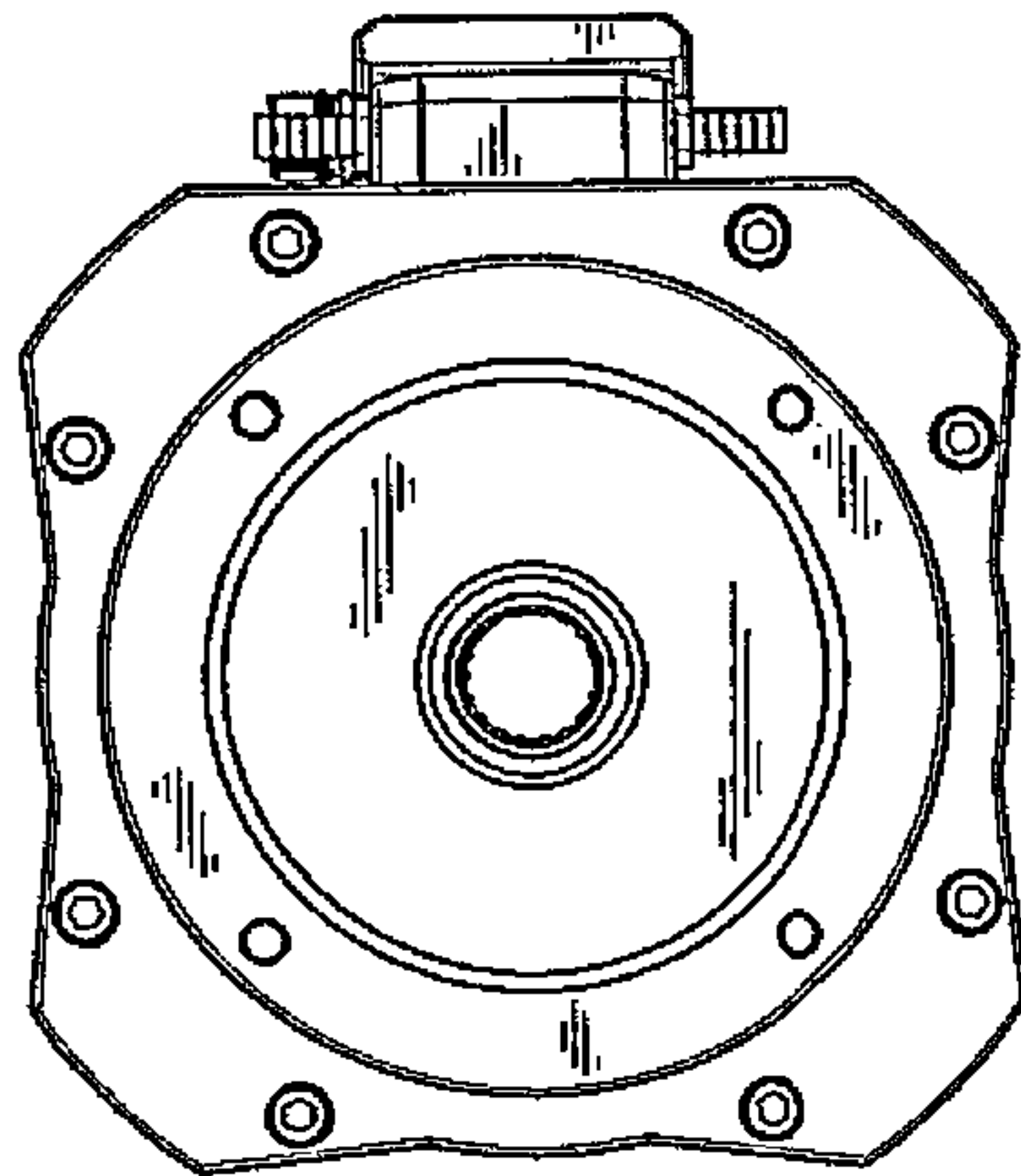


FIG. 2

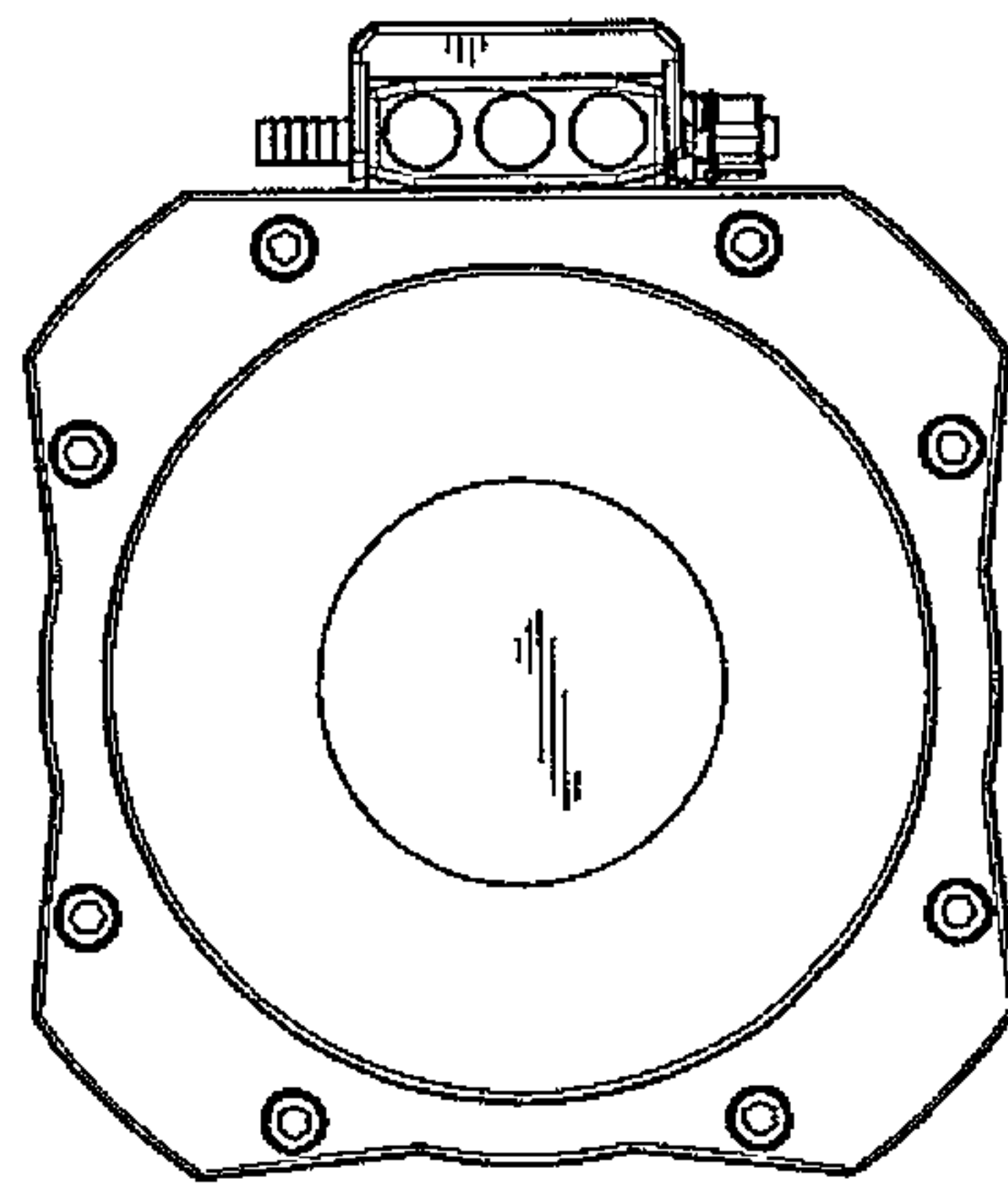


FIG. 3

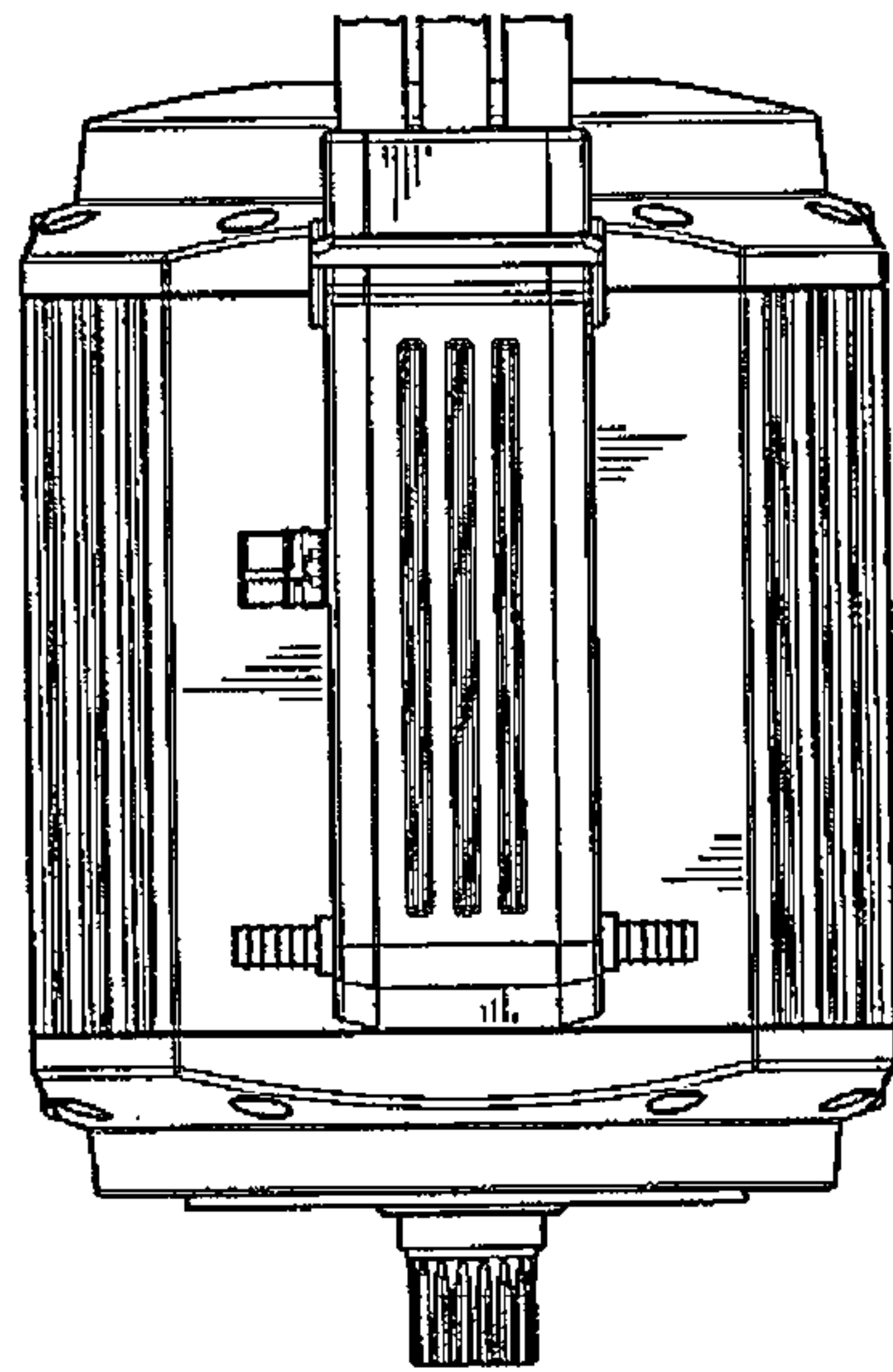


FIG.4

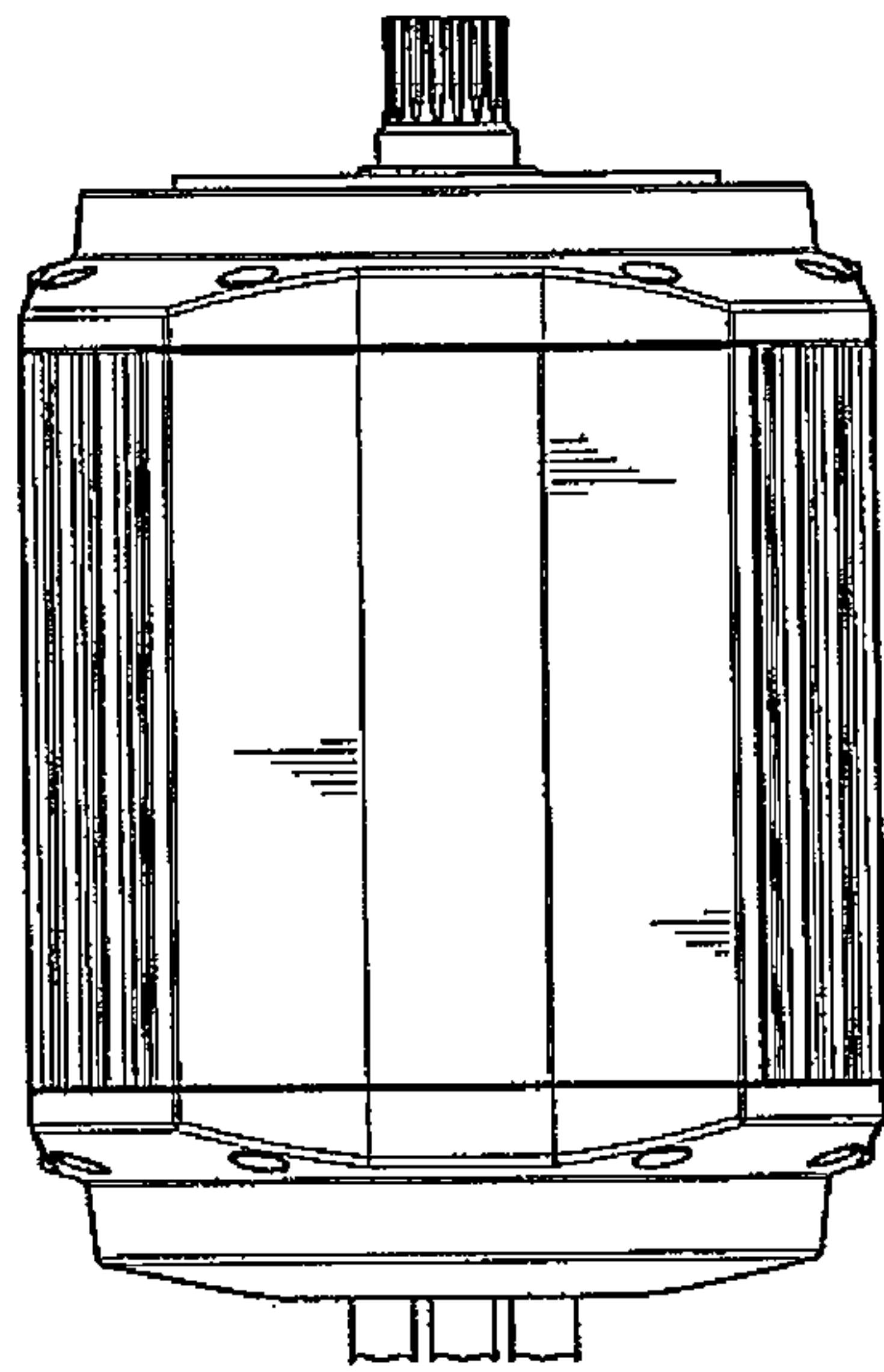


FIG. 5

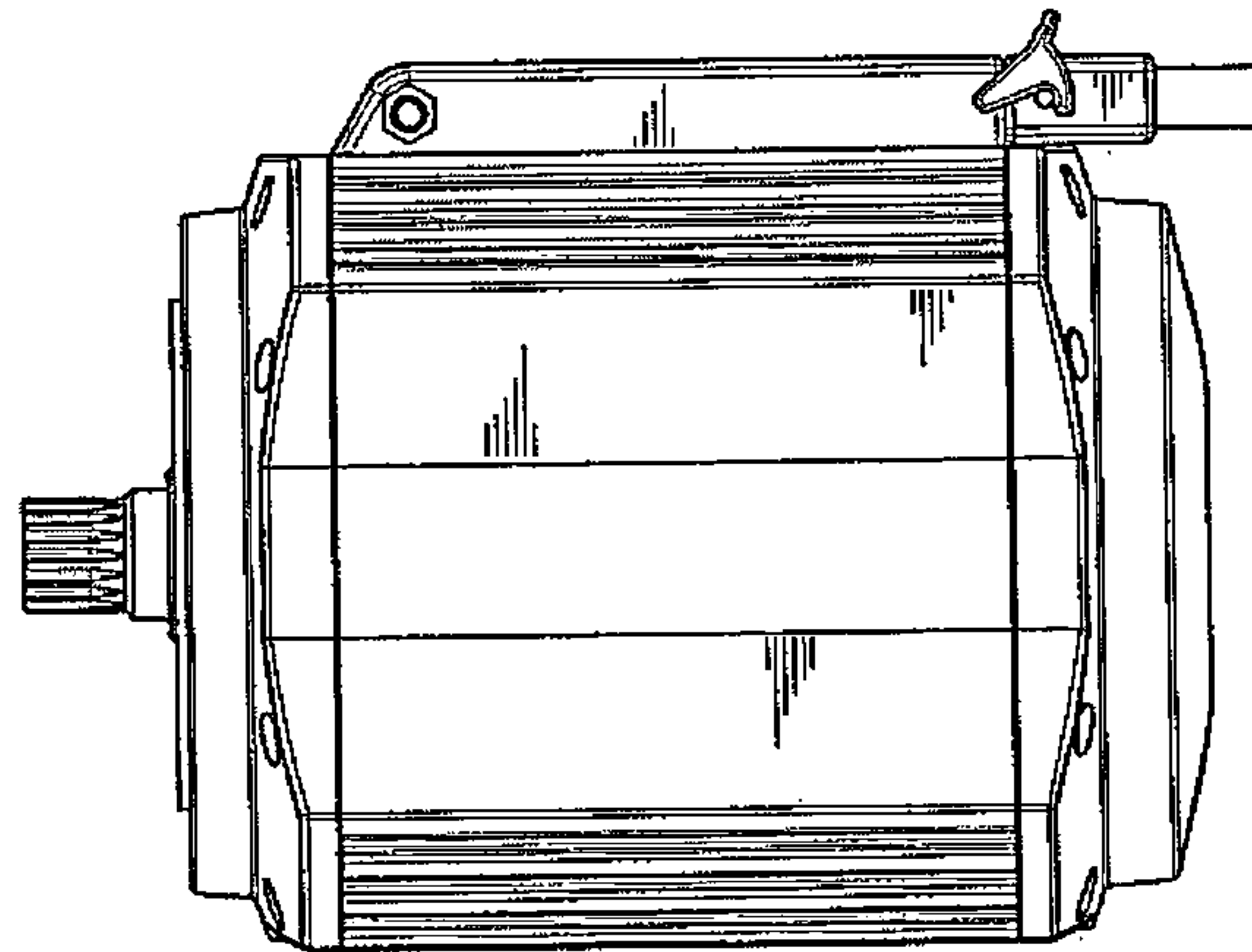


FIG. 6

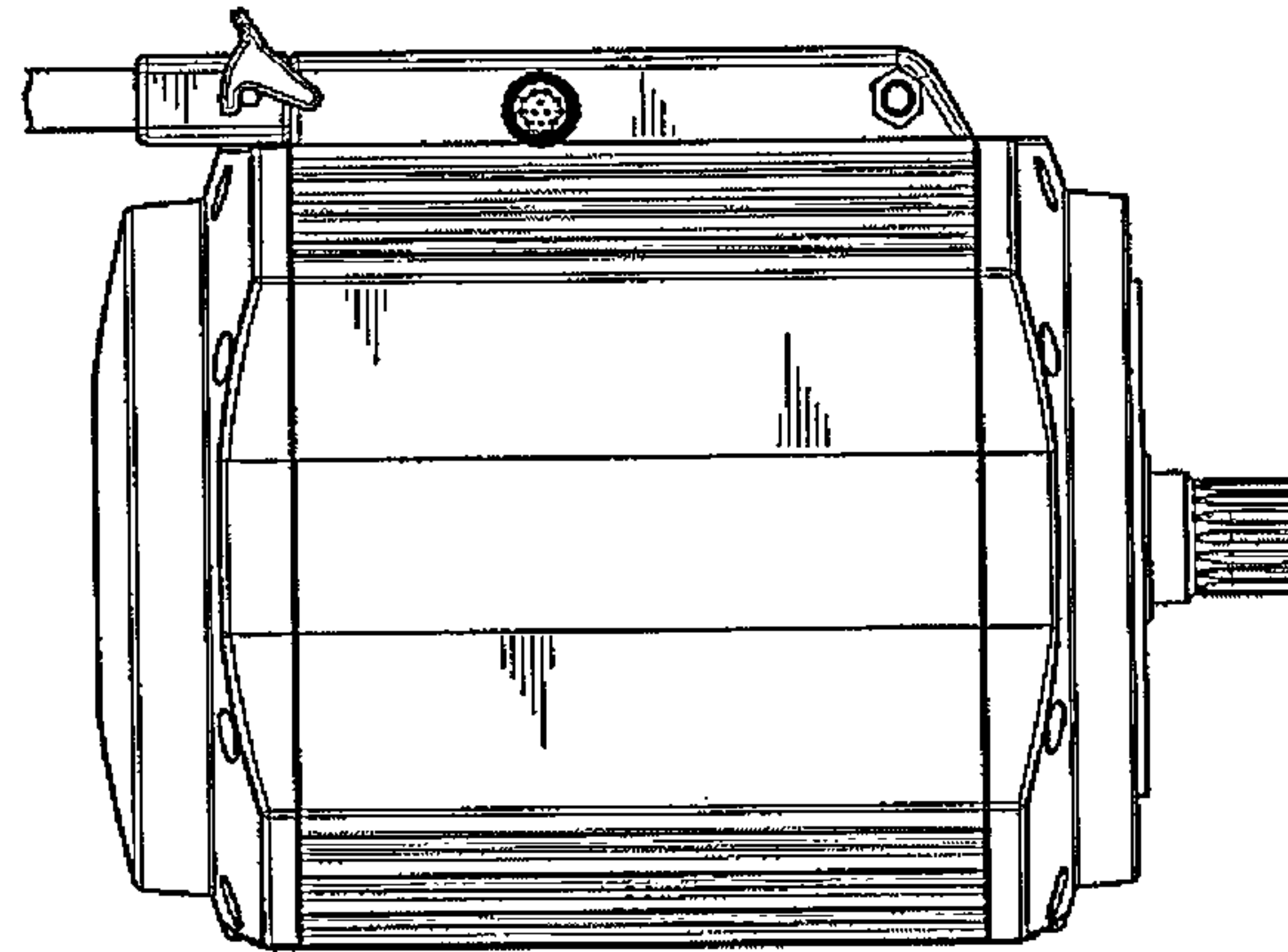


FIG. 7

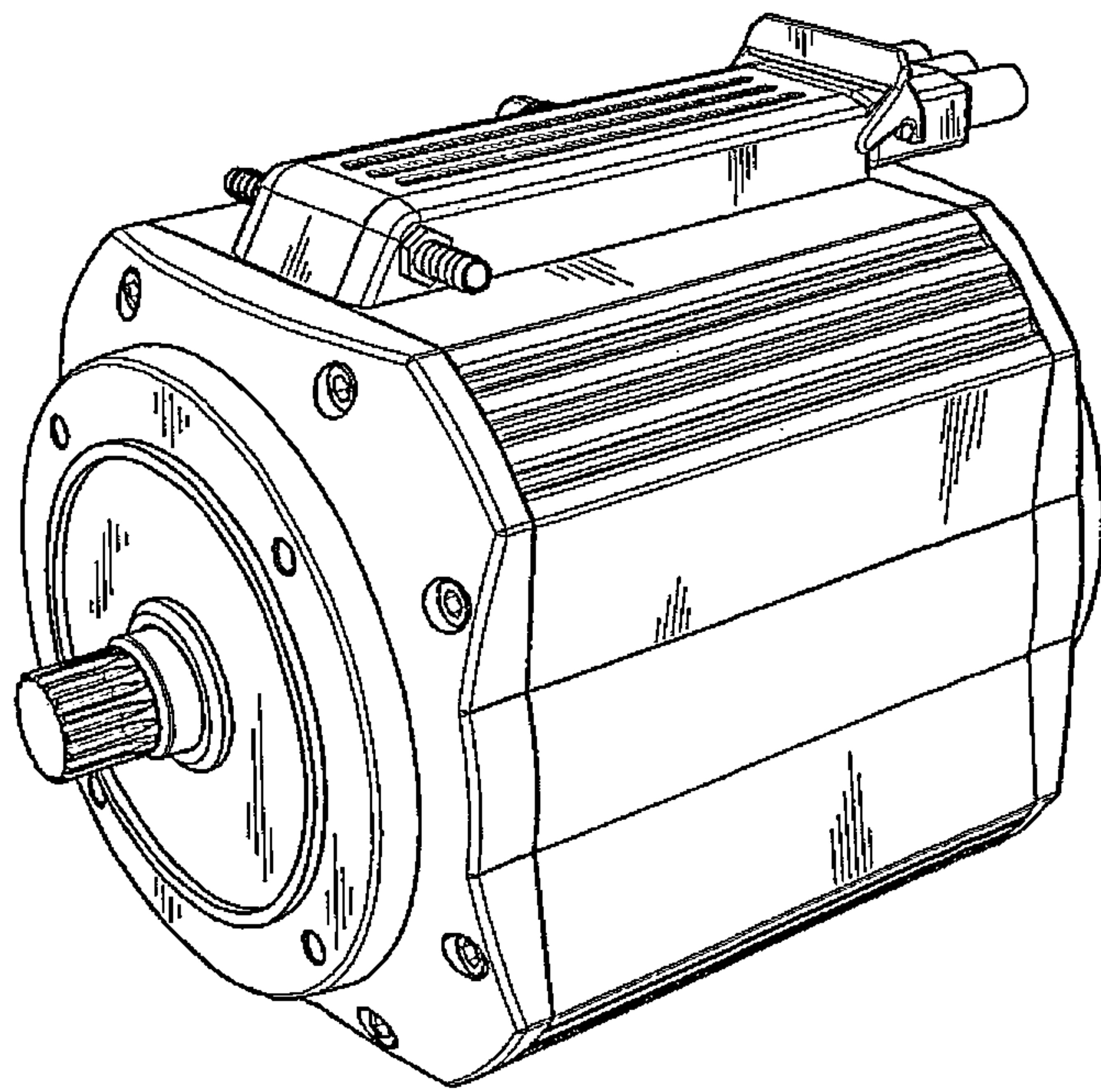


FIG.8

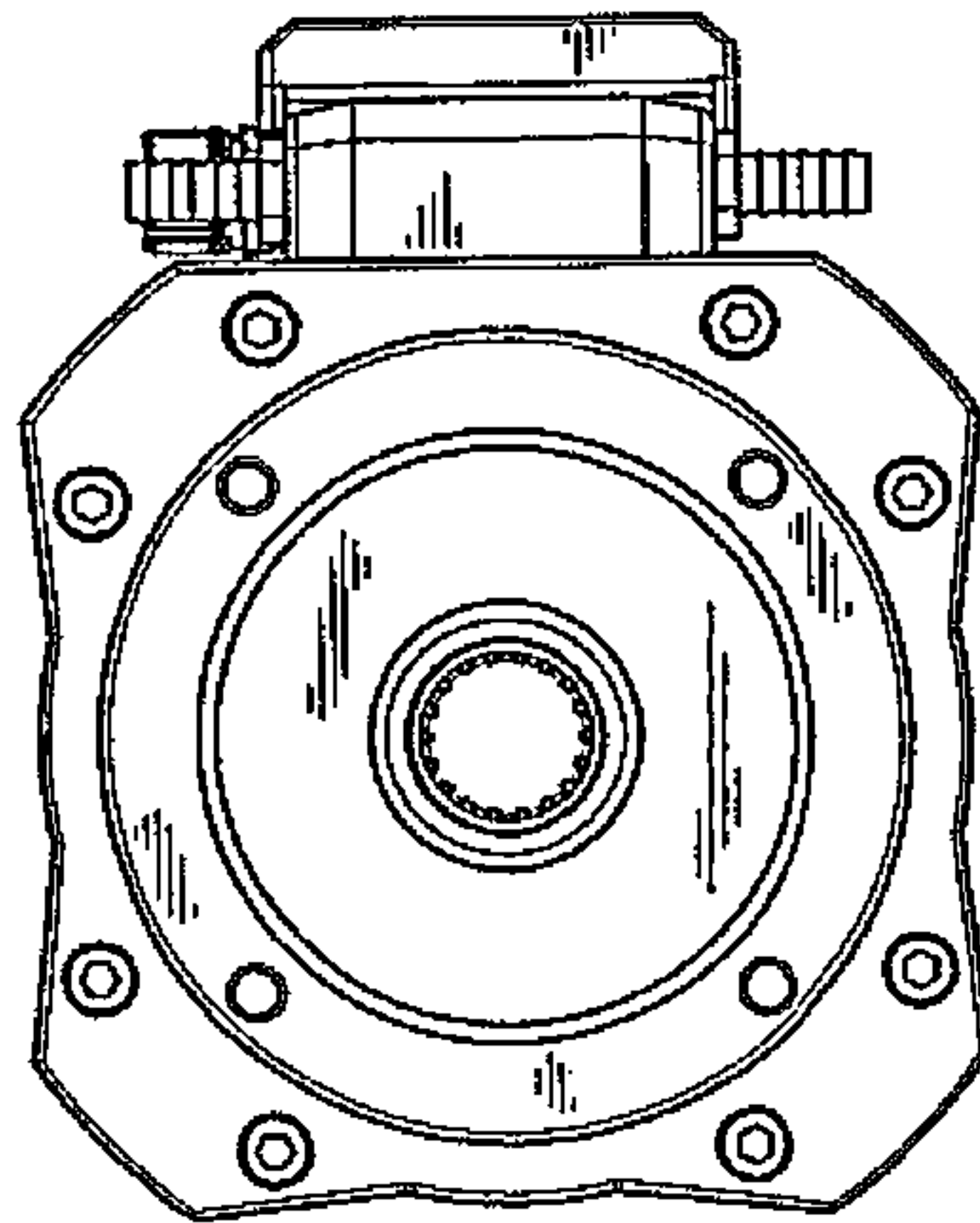


FIG. 9

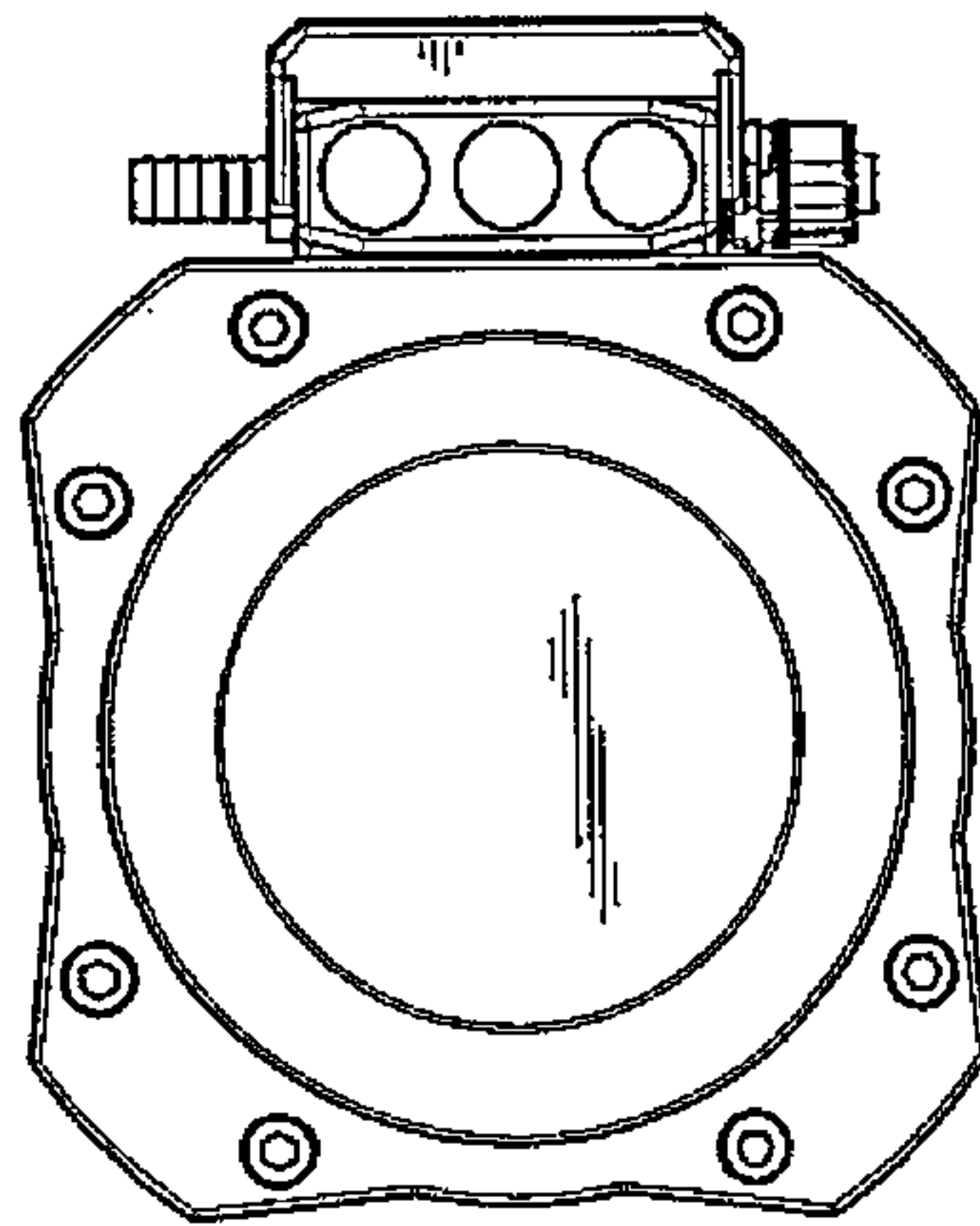


FIG. 10

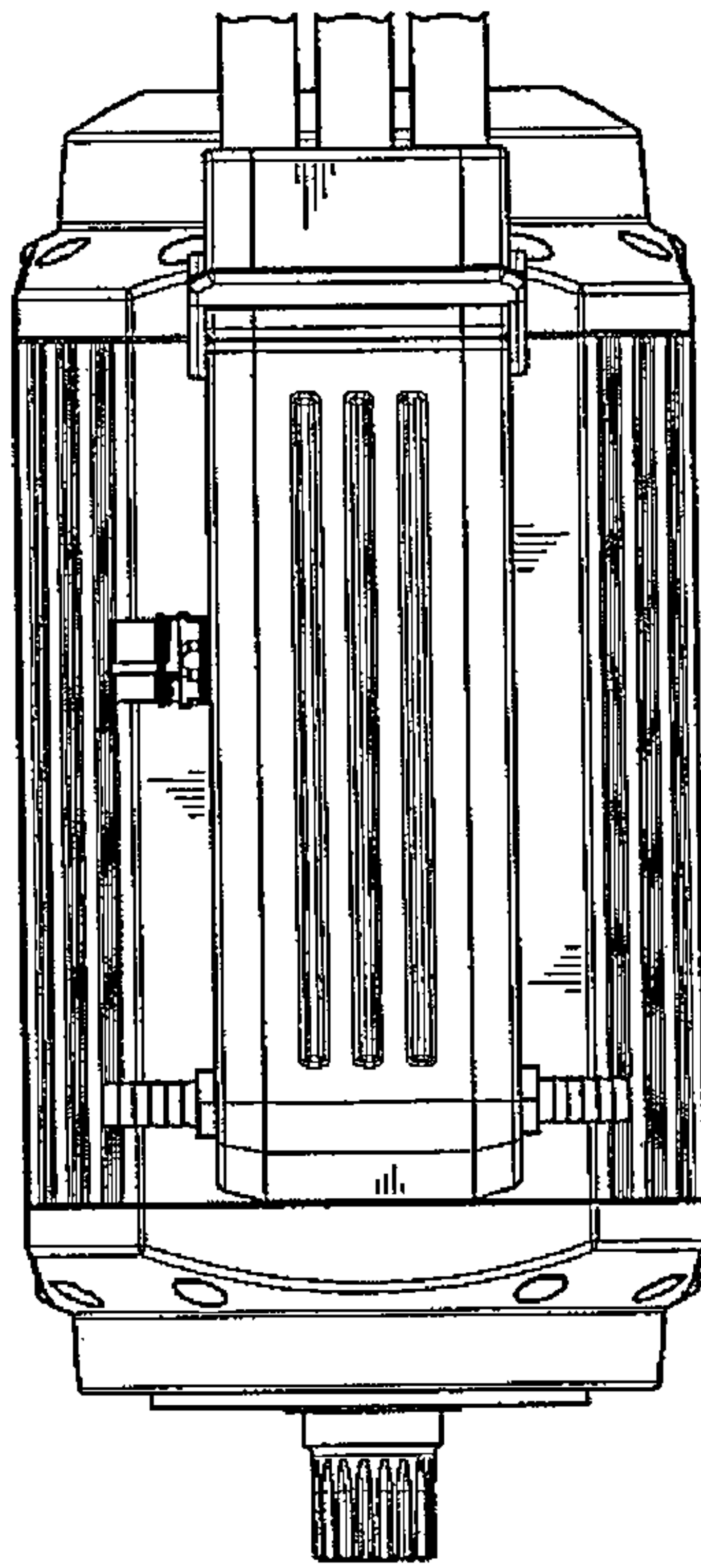


FIG. 11

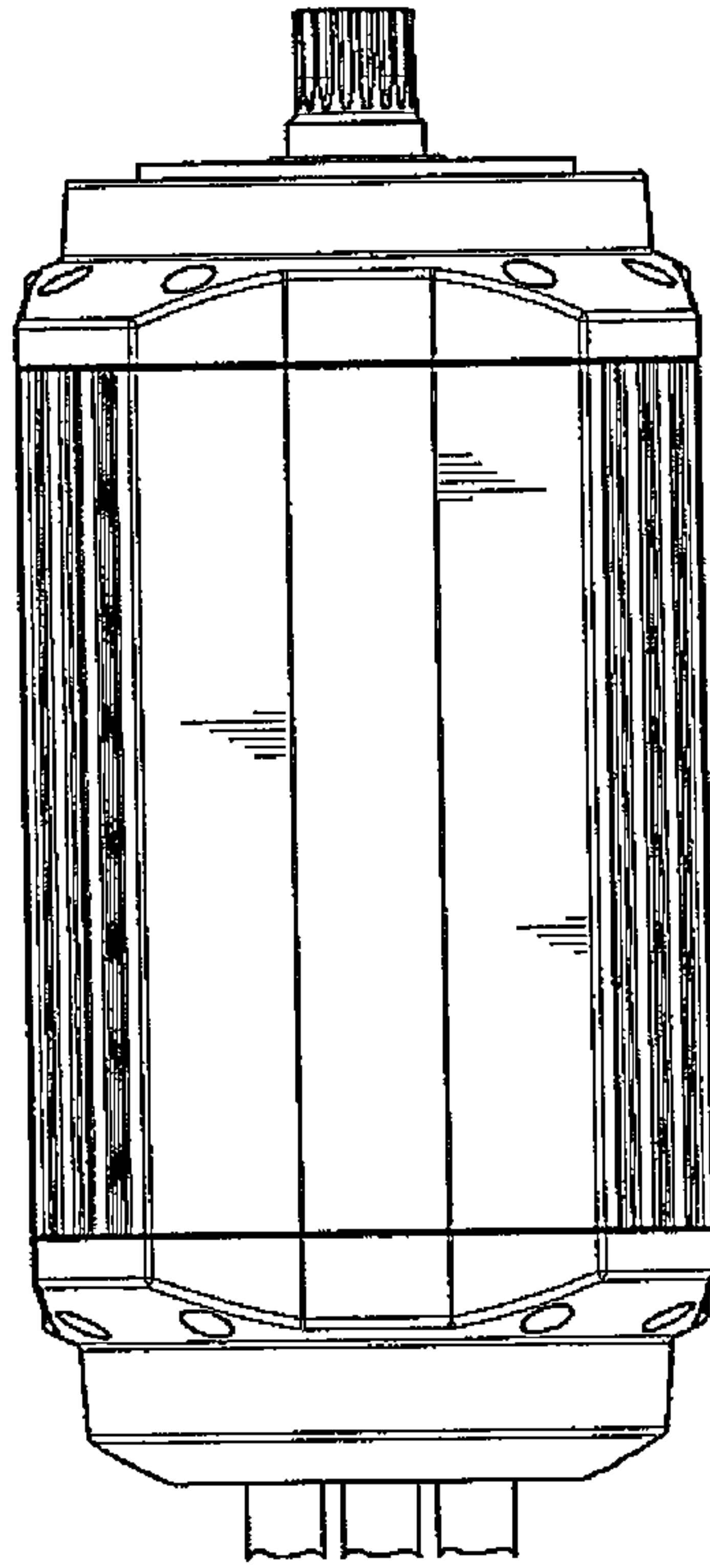


FIG. 12

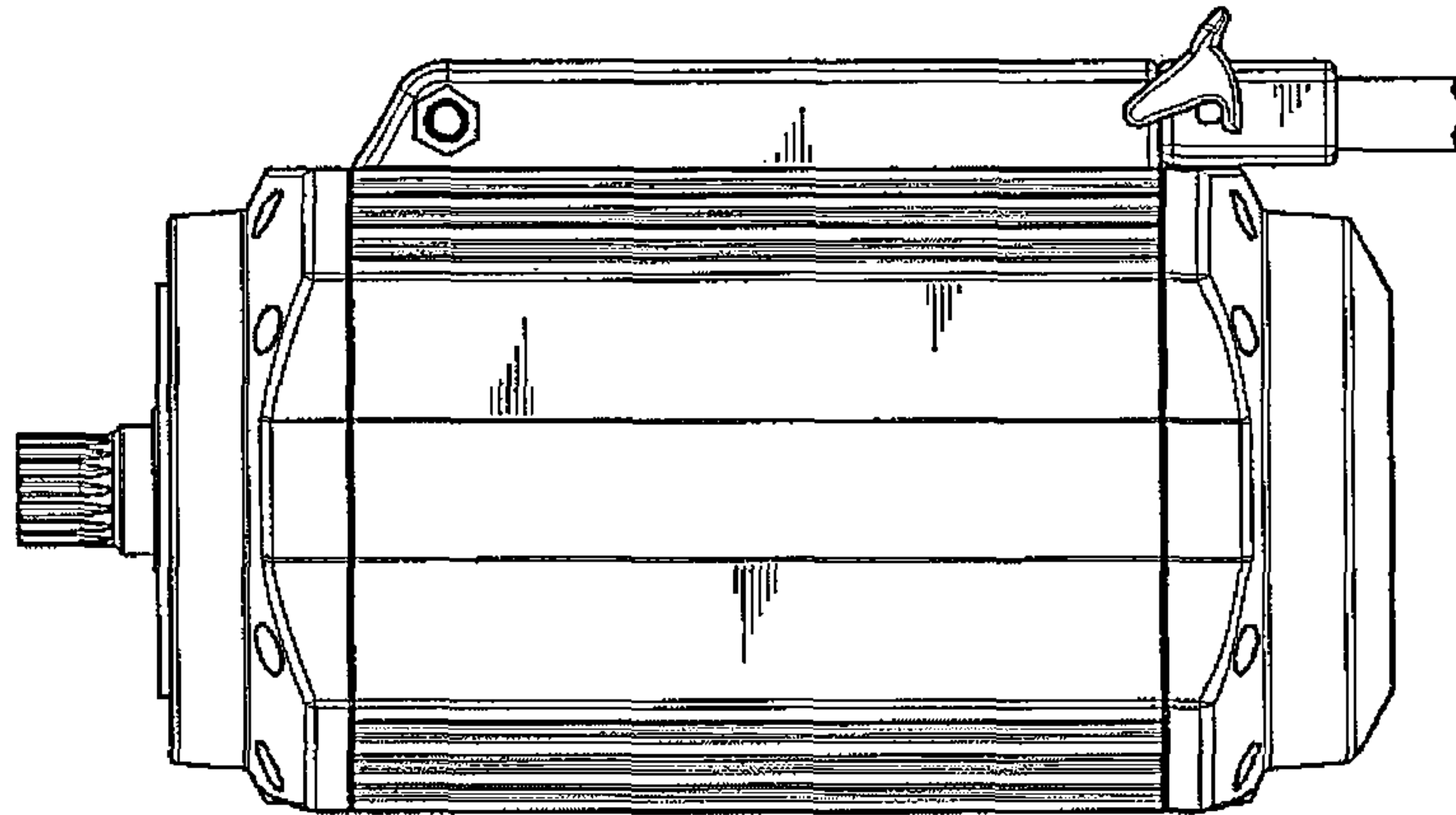


FIG. 13

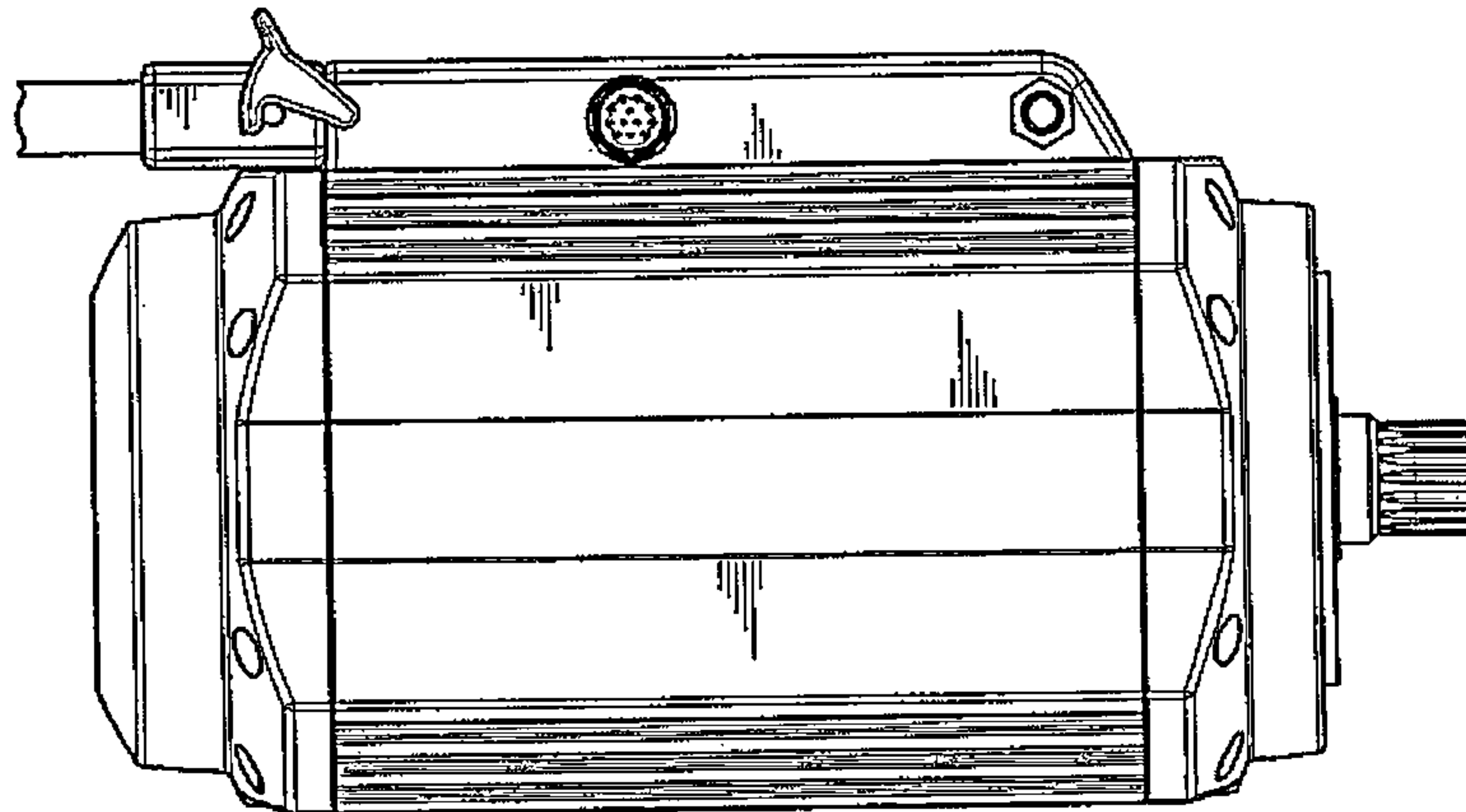


FIG. 14

