



US00D682783S

(12) **United States Design Patent**  
**Chen**

(10) **Patent No.:** **US D682,783 S**

(45) **Date of Patent:** **\*\* May 21, 2013**

(54) **REMOTE-CONTROLLED SERVO**

(71) Applicant: **Mark Star Servo-tech Co., Ltd.**, Yilan (TW)

(72) Inventor: **Chih-Feng Chen**, Yilan (TW)

(73) Assignee: **Mark Star Servo-tech Co., Ltd.**, Yilan County (TW)

(\*\*) Term: **14 Years**

(21) Appl. No.: **29/438,125**

(22) Filed: **Nov. 26, 2012**

(51) **LOC (9) Cl.** ..... **13-01**

(52) **U.S. Cl.**  
USPC ..... **D13/112**

(58) **Field of Classification Search** ..... D13/112, D13/113, 114, 122, 184, 199; D15/3, 5, D15/199; 74/606 R, 609; 310/10, 40 R, 310/42, 51, 58, 71, 80, 83, 85, 89, 91, 109, 310/236, 239, 254; 318/245, 255, 657, 665, 318/671, 687

See application file for complete search history.

(56) **References Cited**

U.S. PATENT DOCUMENTS

6,118,197	A *	9/2000	Bohlen	.....	310/89
D516,506	S *	3/2006	Ichimaru et al.	.....	D13/112
D525,195	S *	7/2006	Palese	.....	D13/112
D552,031	S *	10/2007	Kono et al.	.....	D13/112
D573,091	S *	7/2008	Shih et al.	.....	D13/112
D597,943	S *	8/2009	Lin et al.	.....	D13/112
2004/0160133	A1 *	8/2004	Jinno et al.	.....	310/31
2009/0066176	A1 *	3/2009	Petty	.....	310/83

\* cited by examiner

*Primary Examiner* — Derrick Holland

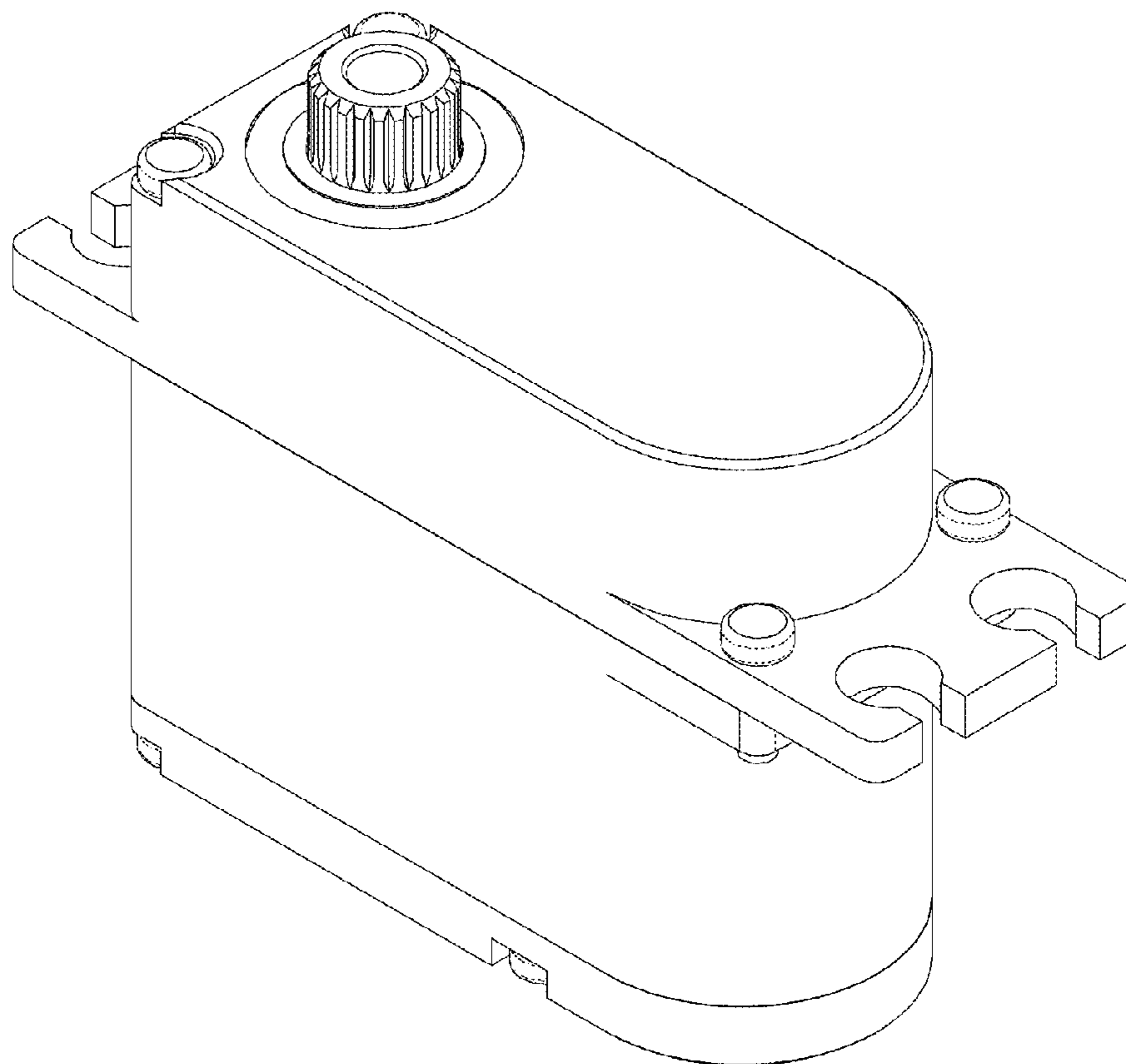
(57) **CLAIM**

The ornamental design for a remote-controlled servo, as shown and described.

**DESCRIPTION**

FIG. 1 is a three-dimensional view of an embodiment of remote controlled servo showing my new design; FIG. 2 is a right side elevation view of the embodiment; FIG. 3 is a top plan view of the embodiment; FIG. 4 is a front elevation view of the embodiment; FIG. 5 is a bottom plan view of the embodiment; FIG. 6 is a left side elevation view of the embodiment; and, FIG. 7 is a rear elevation view of the embodiment.

**1 Claim, 4 Drawing Sheets**



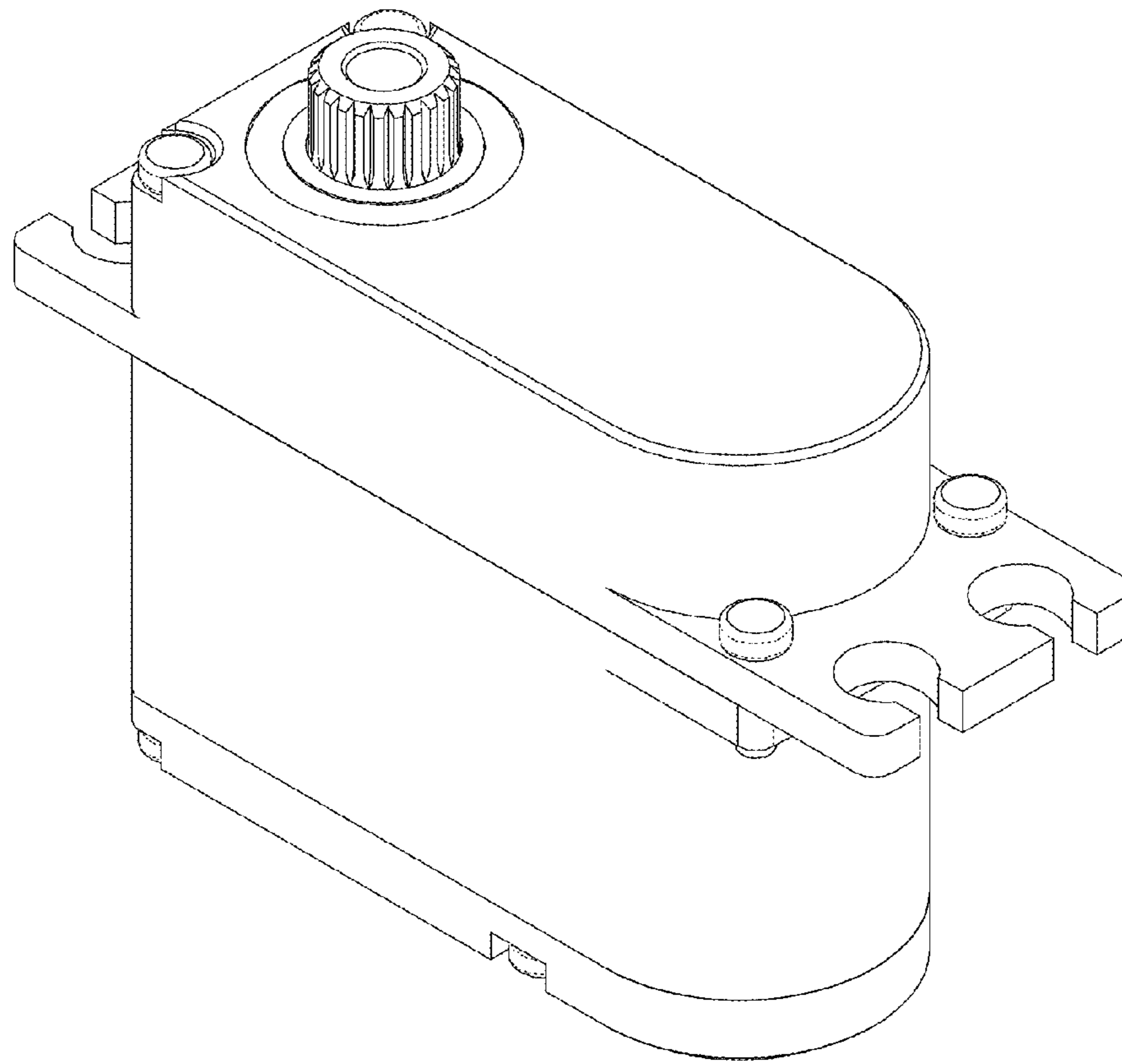


FIG. 1

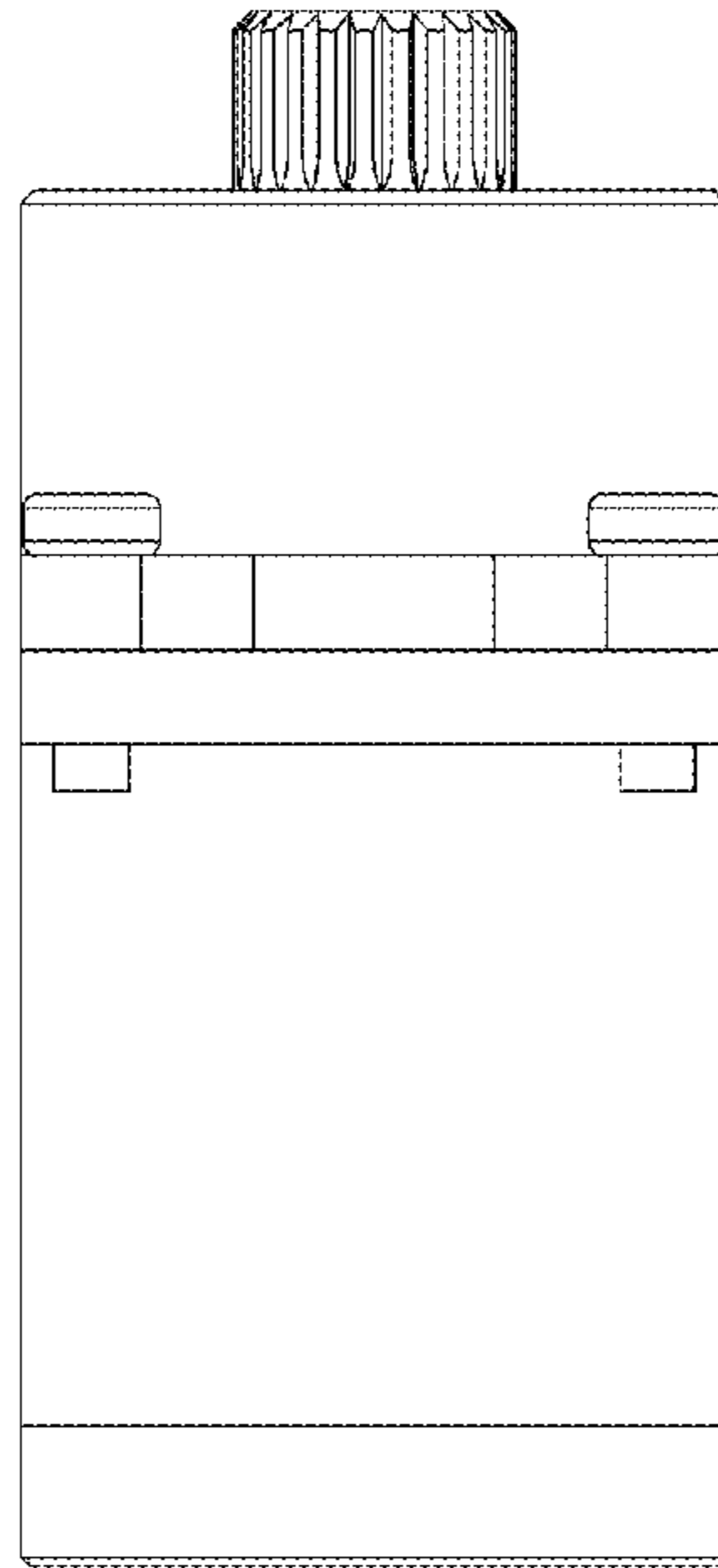


FIG. 2

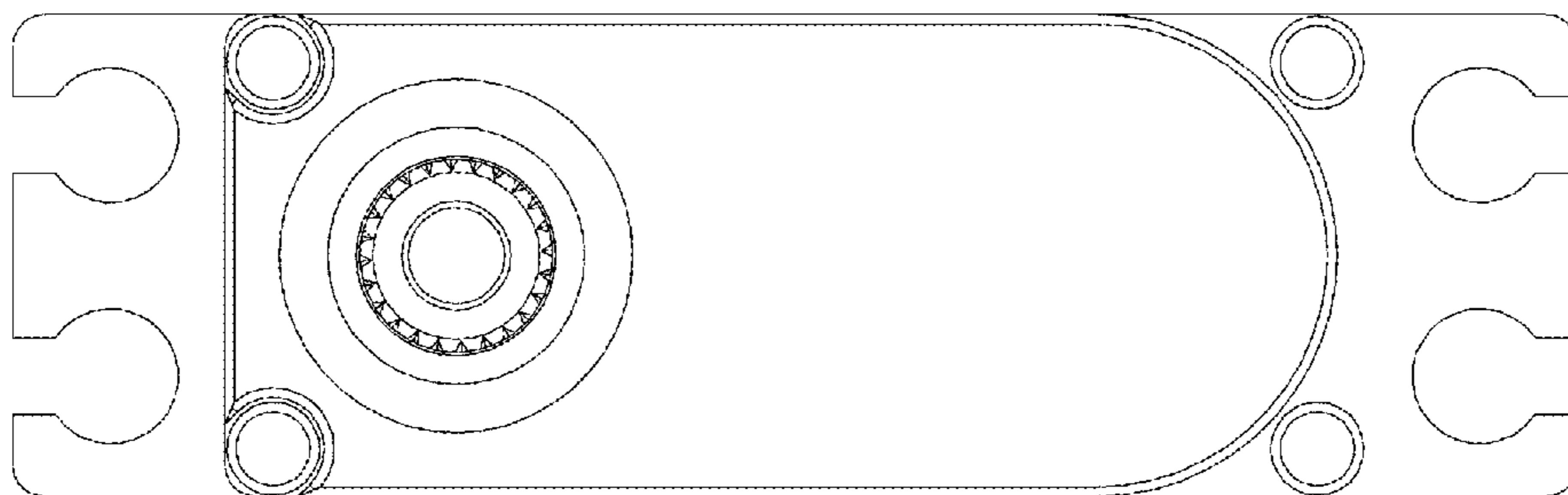


FIG. 3

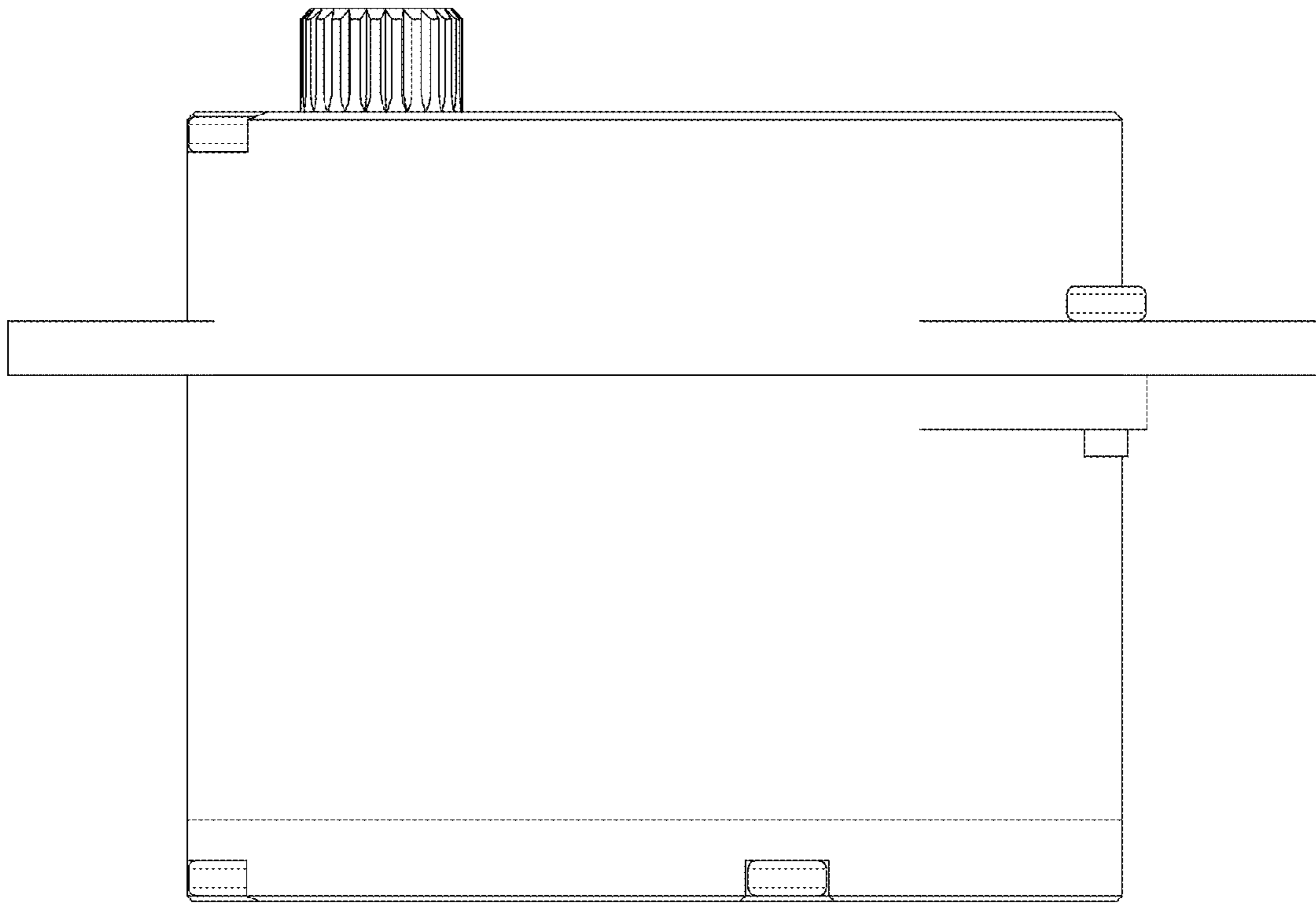


FIG. 4

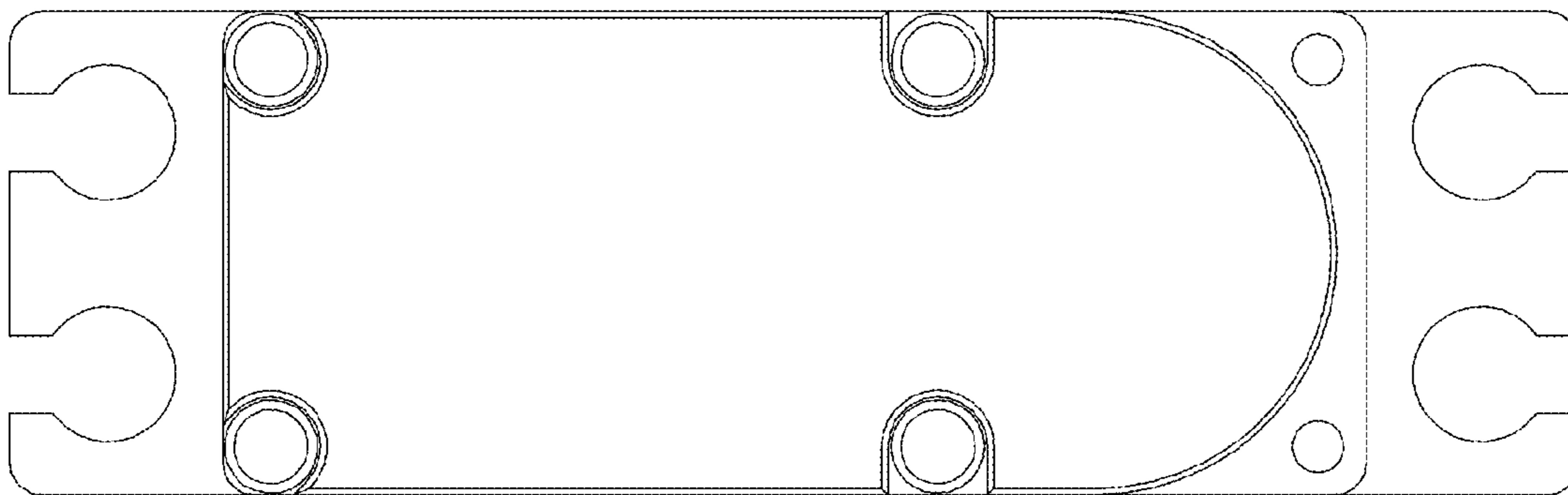


FIG. 5

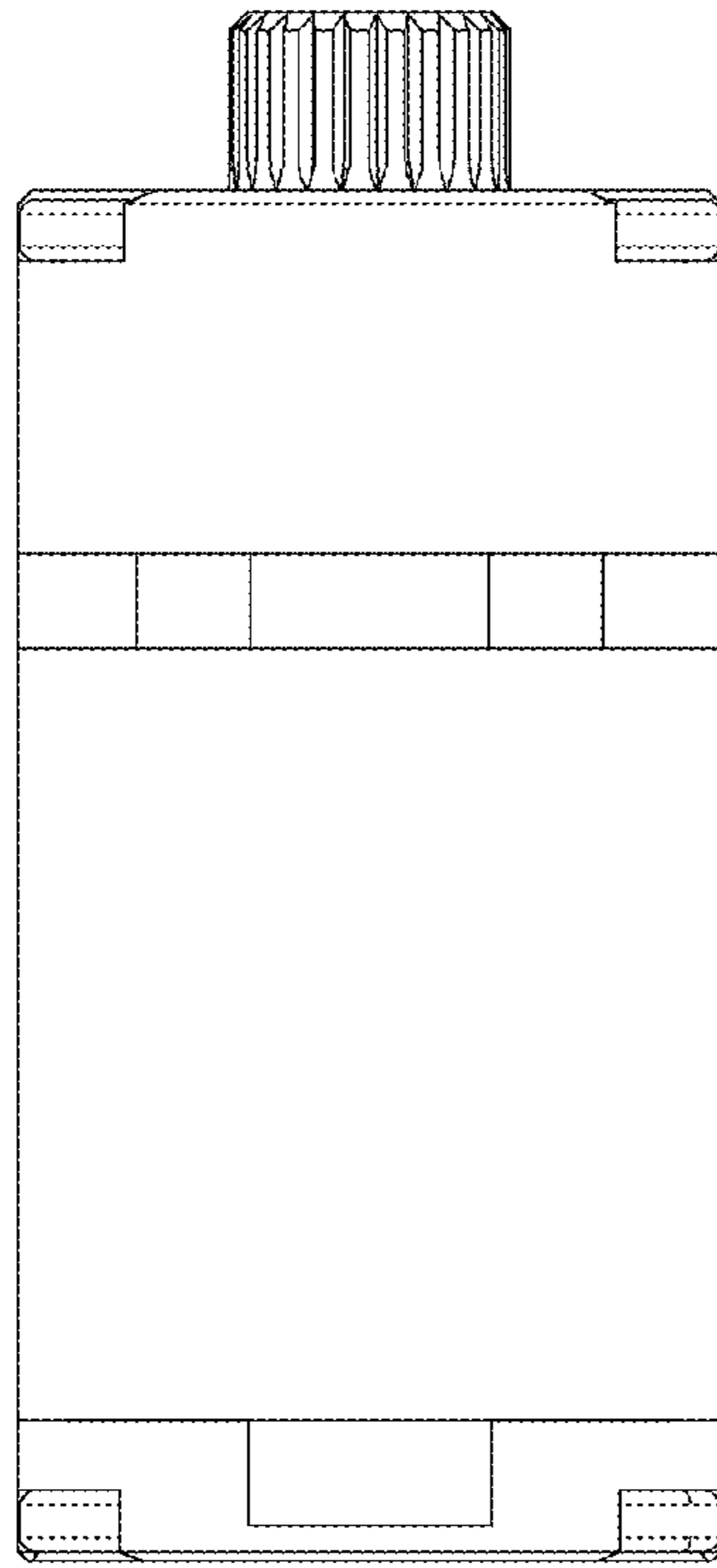


FIG. 6

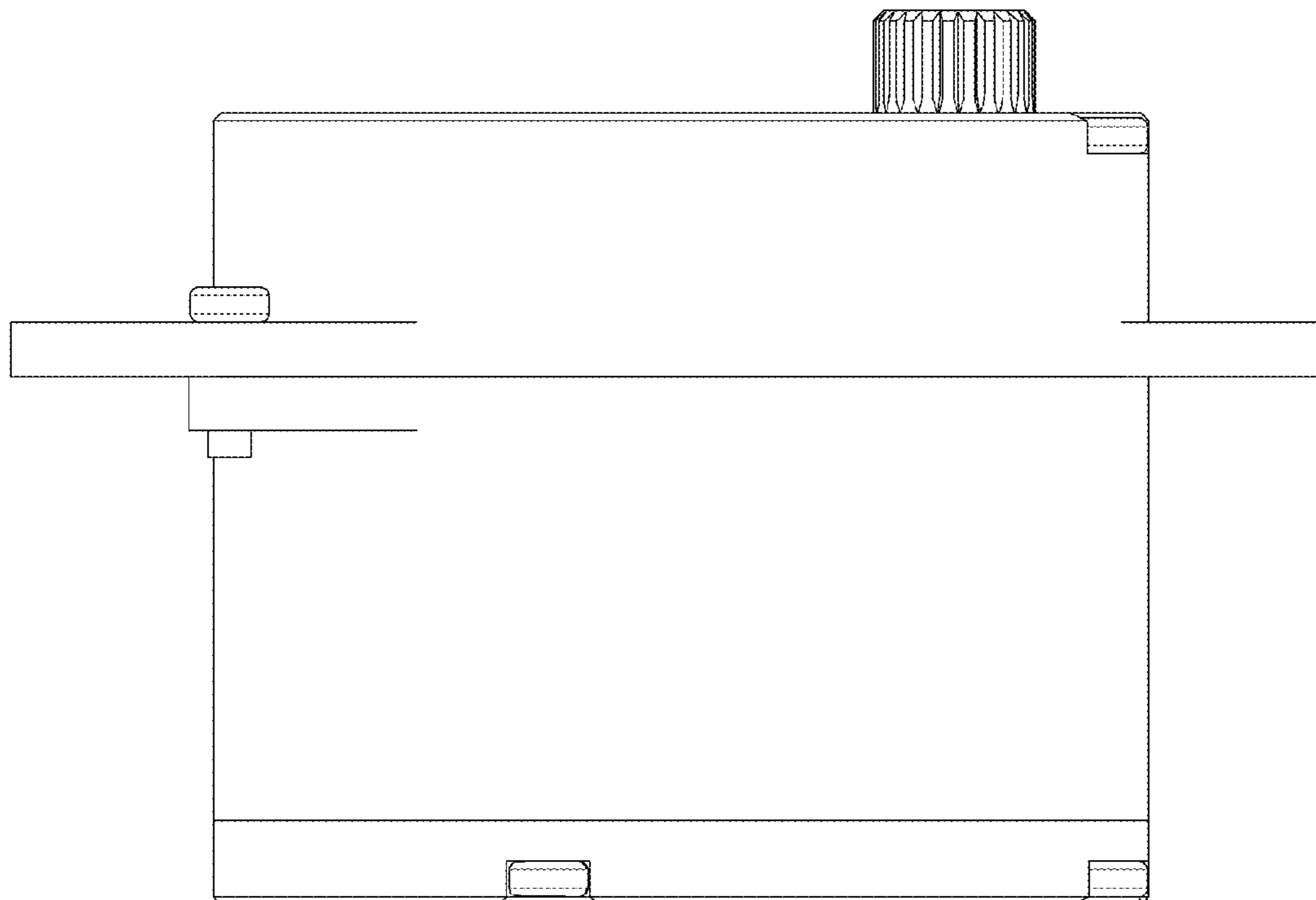


FIG. 7