



US00D682782S

(12) **United States Design Patent**
Yamamoto et al.

(10) **Patent No.:** **US D682,782 S**
(45) **Date of Patent:** **** May 21, 2013**

(54) **ENGINE FOR A BRUSHCUTTER**

FOREIGN PATENT DOCUMENTS

(75) Inventors: **Yuji Yamamoto**, Anjo (JP); **Yuki Nakamura**, Numazu (JP); **Yasuyuki Sakakibara**, Numazu (JP)

EM 001851593-0001 4/2011
JP D1386579 S 5/2010

* cited by examiner

(73) Assignee: **Makita Corporation**, Anjo-shi (JP)

Primary Examiner — Derrick Holland

(**) Term: **14 Years**

(74) *Attorney, Agent, or Firm* — Global IP Counselors, LLP

(21) Appl. No.: **29/416,086**

(57) **CLAIM**

The ornamental design for an engine for a brushcutter, as shown and described.

(22) Filed: **Mar. 19, 2012**

DESCRIPTION

(30) **Foreign Application Priority Data**

Oct. 14, 2011 (JP) 2011-23558

(51) **LOC (9) Cl.** **13-01**

(52) **U.S. Cl.**
USPC **D13/112**

(58) **Field of Classification Search** D13/112,
D13/110, 113, 114, 116, 118, 122, 184, 199;
D8/1, 7, 8; D15/1, 5, 17; 56/233, 234, 236;
123/1 A, 195 A, 195 C, 195 P, 557; 310/10,
310/11, 20, 36, 89
See application file for complete search history.

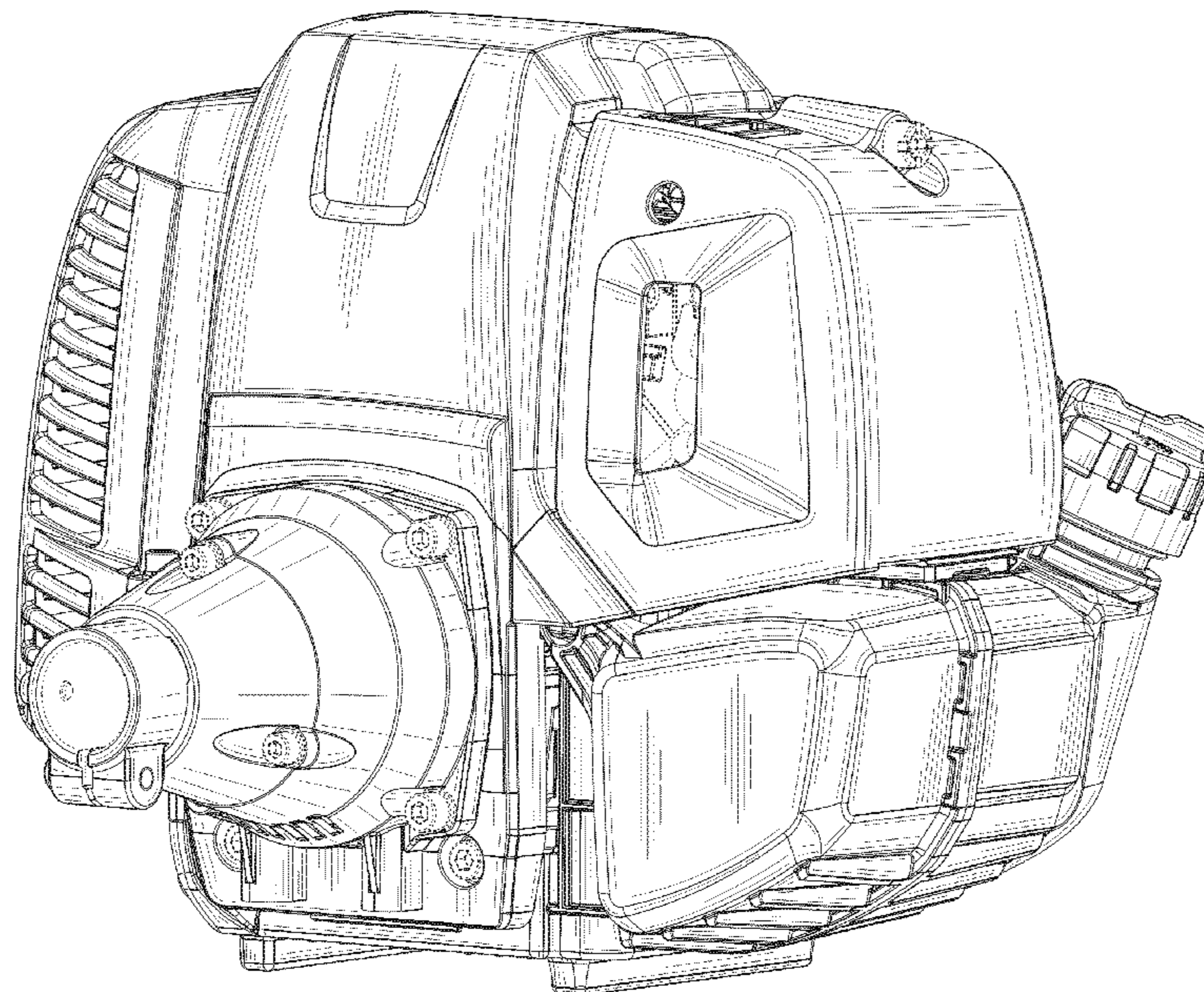
FIG. 1 is a front perspective view of an engine for a brushcutter in accordance with our new design;
FIG. 2 is a rear perspective view of the engine for a brushcutter in accordance with our new design;
FIG. 3 is a front elevational view of the engine for a brushcutter in accordance with our new design;
FIG. 4 is a rear elevational view of the engine for a brushcutter in accordance with our new design;
FIG. 5 is a top plan view of the engine for a brushcutter in accordance with our new design;
FIG. 6 is a bottom plan view of the engine for a brushcutter in accordance with our new design;
FIG. 7 is a right side elevational view of the engine for a brushcutter in accordance with our new design;
FIG. 8 is a left side elevational view of the engine for a brushcutter in accordance with our new design; and,
FIG. 9 is a front perspective view of the engine for a brushcutter in accordance with our new design illustrating a state in which a brushcutter attachment is attached to the engine.
The broken lines showing environment in FIGS. 1-9 represents unclaimed subject matter and forms no part of the claimed design.

(56) **References Cited**

U.S. PATENT DOCUMENTS

D342,875 S * 1/1994 Franke et al. D8/8
D525,195 S * 7/2006 Palese D13/112
D528,127 S * 9/2006 Nagel et al. D15/1
D540,255 S * 4/2007 Maeda et al. D13/113
D588,062 S * 3/2009 Bao et al. D13/122
7,743,755 B2 * 6/2010 Herzer 123/557
D627,724 S * 11/2010 Cai D13/116
7,896,368 B2 * 3/2011 Craig et al. 280/47.24
D648,194 S * 11/2011 Tinius D8/8

1 Claim, 9 Drawing Sheets



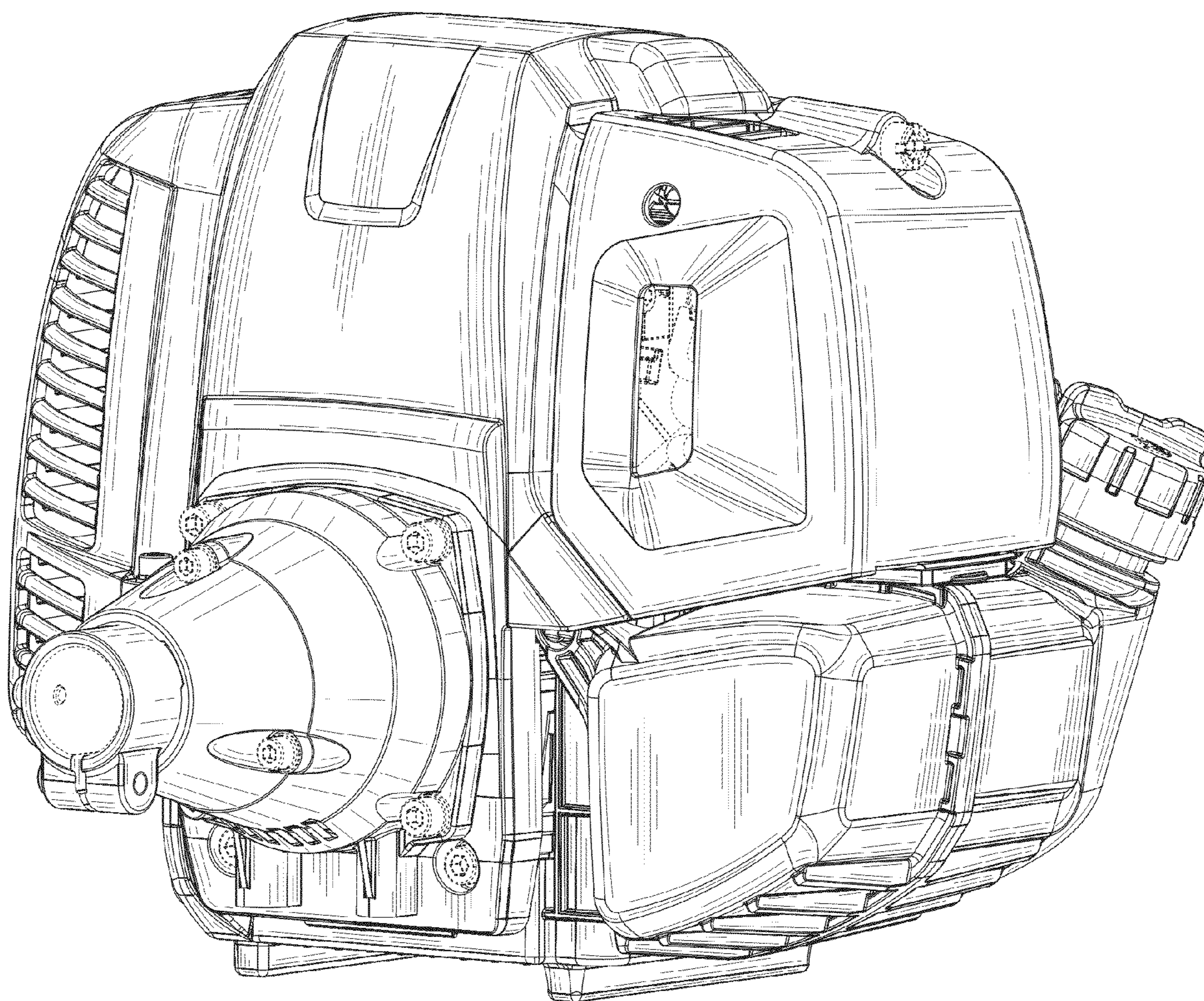


FIG. 1

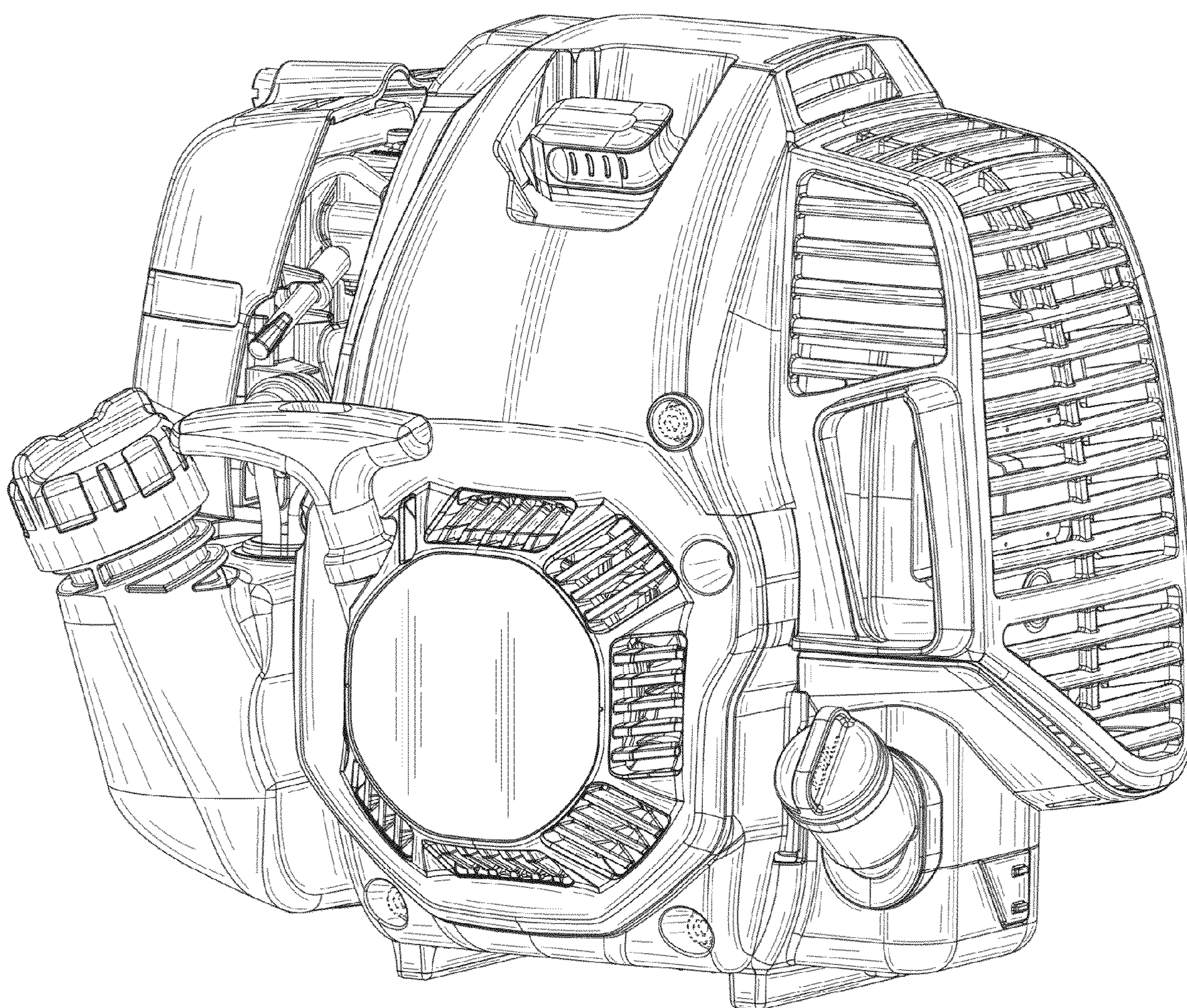


FIG. 2

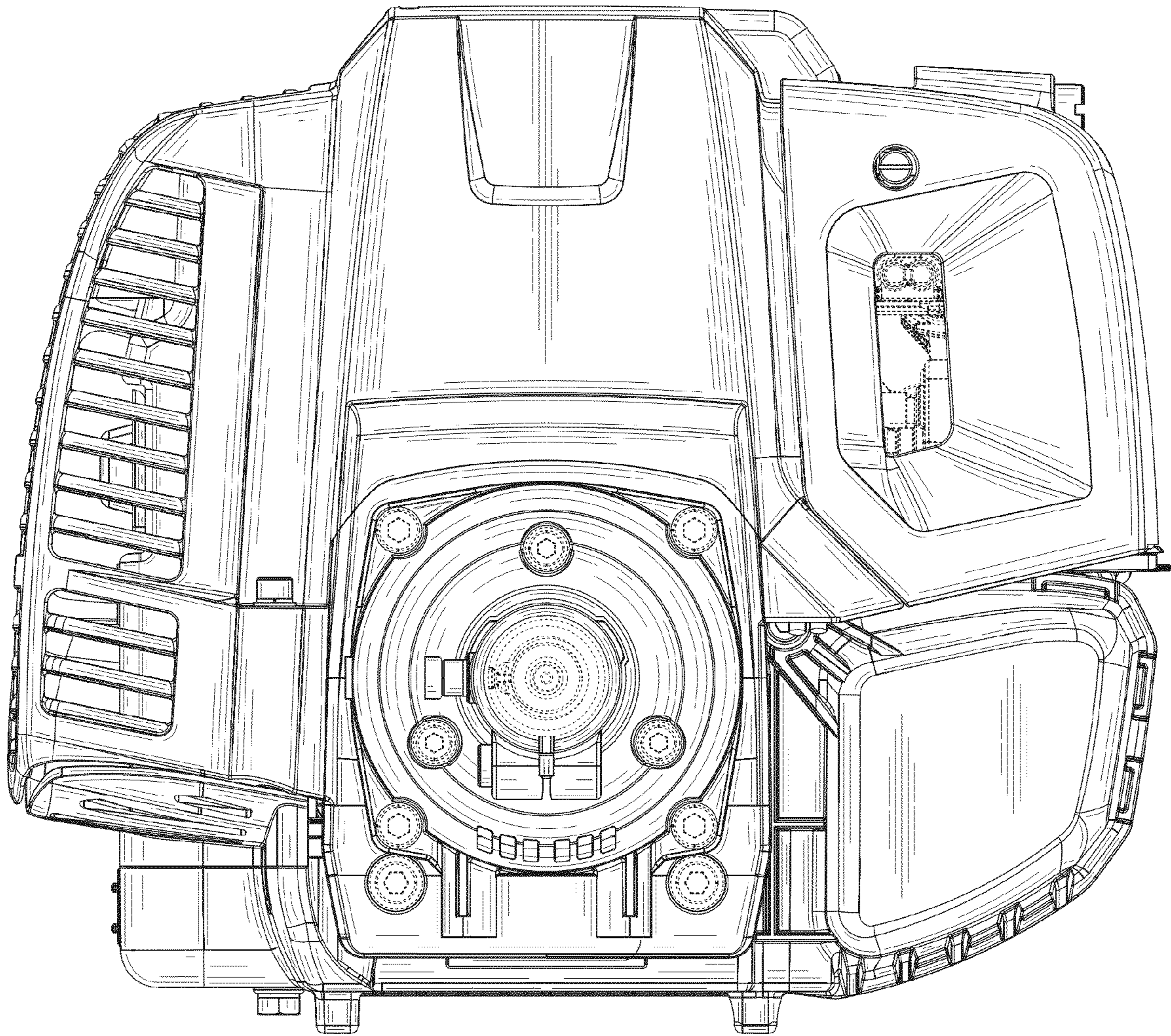


FIG. 3

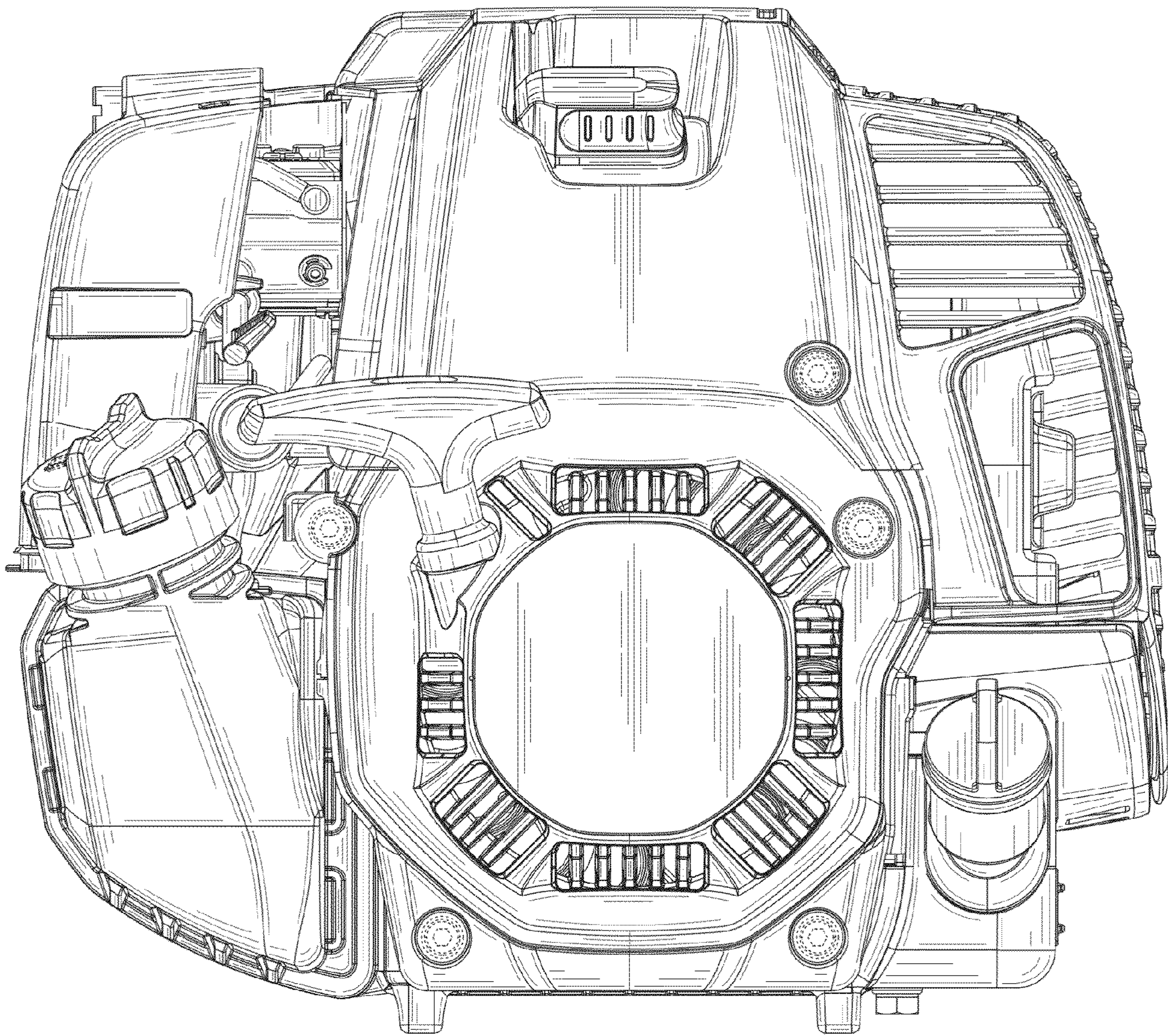


FIG. 4

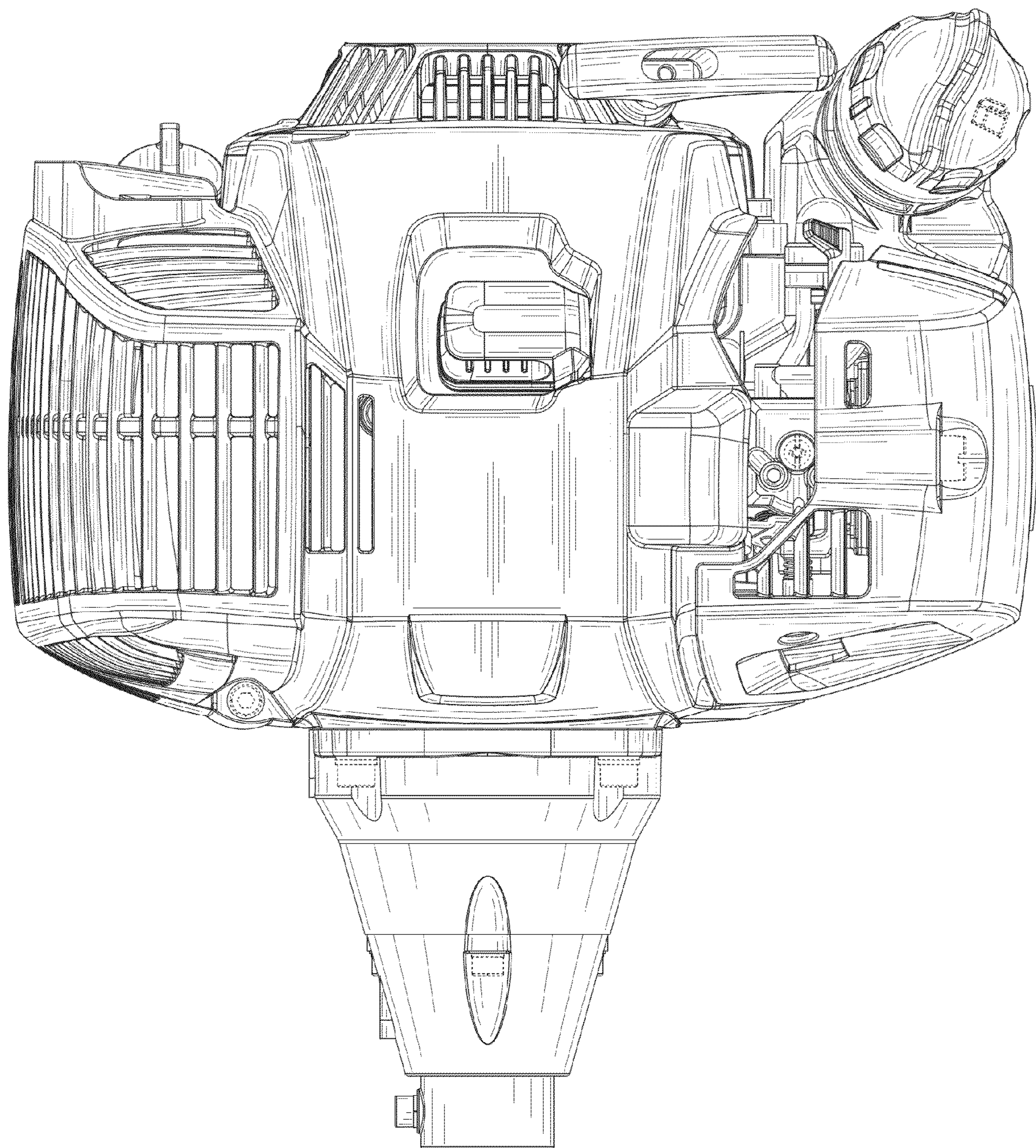


FIG. 5

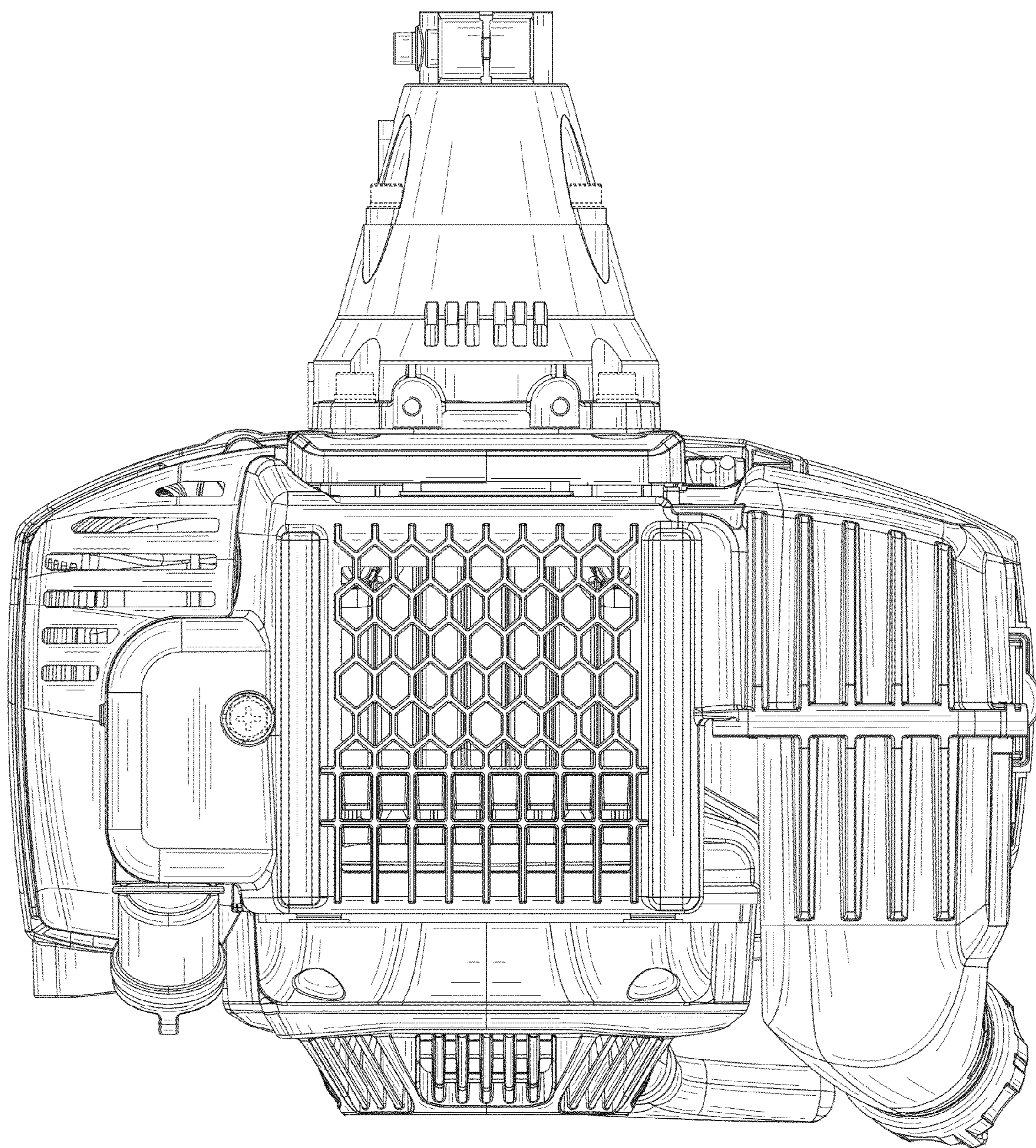


FIG. 6

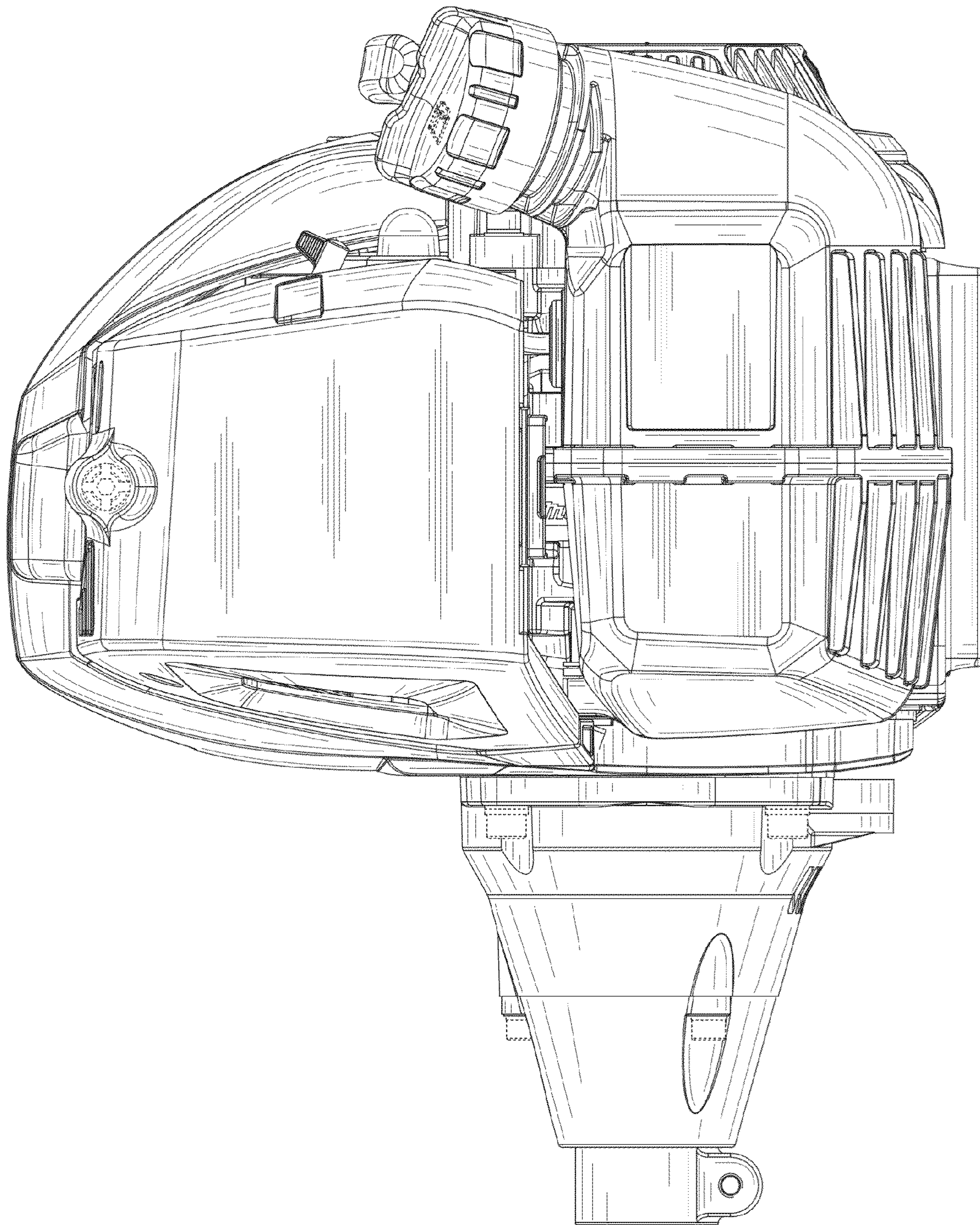


FIG. 7

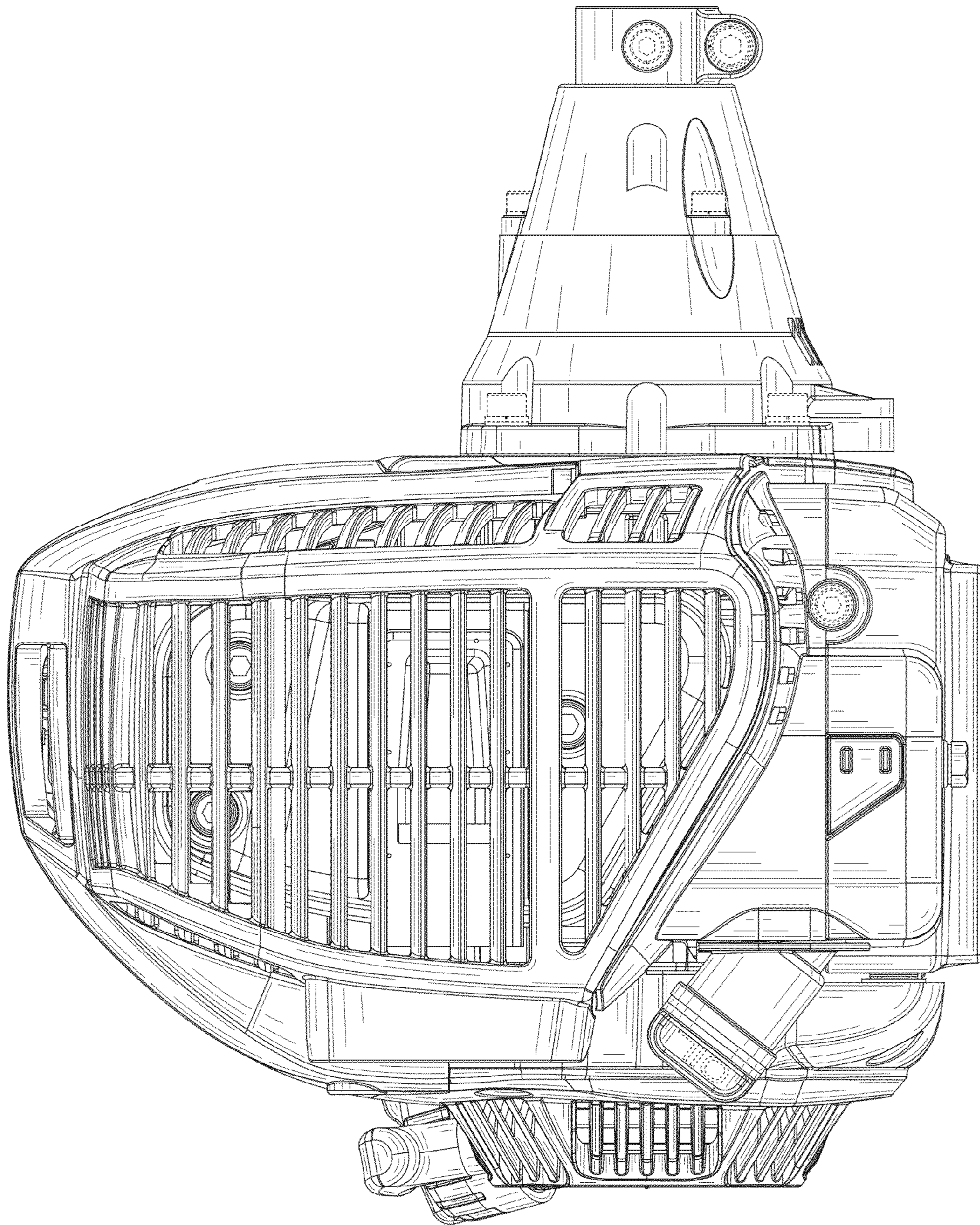


FIG. 8

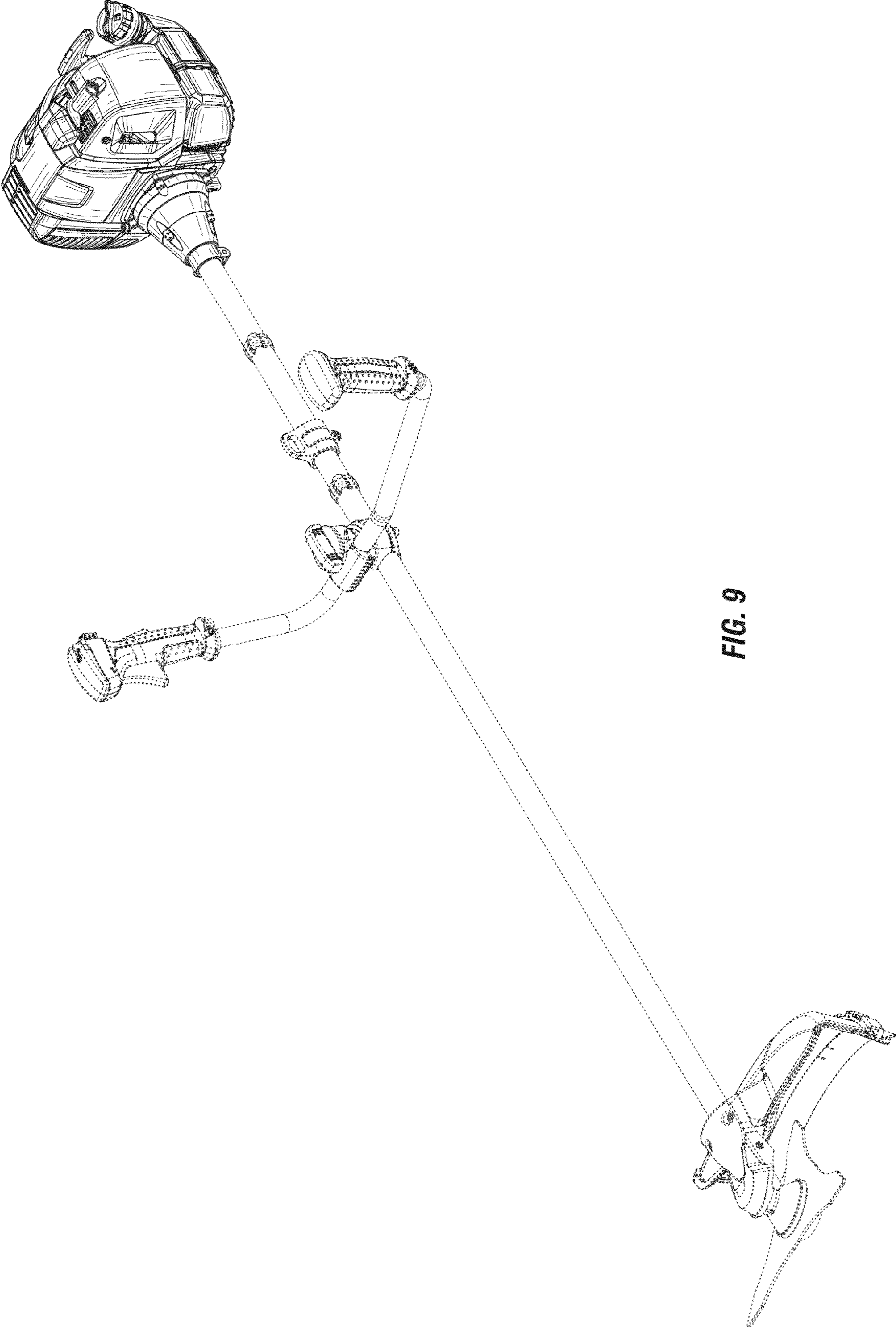


FIG. 9