



US00D682781S

(12) **United States Design Patent**  
**Wakafuji et al.**

(10) **Patent No.:** **US D682,781 S**

(45) **Date of Patent:** **\*\* May 21, 2013**

(54) **AC/DC CONVERTER**

(71) Applicants: **Shuji Wakafuji**, Tama (JP); **Takenori Kinkawa**, Tama (JP)

(72) Inventors: **Shuji Wakafuji**, Tama (JP); **Takenori Kinkawa**, Tama (JP)

(73) Assignee: **Mitsumi Electric Co., Ltd**, Tokyo (JP)

(\*\*) Term: **14 Years**

(21) Appl. No.: **29/434,934**

(22) Filed: **Oct. 18, 2012**

(30) **Foreign Application Priority Data**

Apr. 18, 2012 (JP) ..... 2012-009068

(51) **LOC (9) Cl.** ..... **13-02**

(52) **U.S. Cl.**  
USPC ..... **D13/110**

(58) **Field of Classification Search** ..... D13/110,  
D13/101, 107, 123, 133, 137.2, 138.1, 184,  
D13/199; D14/240, 358, 432, 433; 307/150,  
307/151; 320/111, 114; 361/601, 625; 363/15,  
363/34, 146; 439/5, 131, 172, 173, 668,  
439/669

See application file for complete search history.

(56) **References Cited**

U.S. PATENT DOCUMENTS

6,042,400 A \* 3/2000 Queffelec et al. .... 439/131  
6,086,395 A \* 7/2000 Lloyd et al. .... 439/172

D428,862 S \* 8/2000 Queffelec et al. .... D13/184  
D432,497 S \* 10/2000 Totsuka et al. .... D13/110  
D567,173 S \* 4/2008 Jidaisho ..... D13/110  
D567,174 S \* 4/2008 Jidaisho ..... D13/110  
D601,501 S \* 10/2009 Kaibara et al. .... D13/110  
D650,330 S \* 12/2011 Dong ..... D13/108  
2010/0117597 A1 \* 5/2010 Wang ..... 320/111

\* cited by examiner

*Primary Examiner* — Derrick Holland

(74) *Attorney, Agent, or Firm* — Sughrue Mion, PLLC

(57) **CLAIM**

The ornamental design for an AC/DC converter, as shown and described.

**DESCRIPTION**

FIG. 1 is a perspective view of the top, front and right side of an AC/DC converter showing my (our) new design;  
FIG. 2 is a front view thereof;  
FIG. 3 is a rear view thereof;  
FIG. 4 is a left side view thereof;  
FIG. 5 is a right side view thereof;  
FIG. 6 is a top plan view thereof;  
FIG. 7 is a bottom view thereof;  
FIG. 8 is a first reference view of usage, where an attachment portion is separated from a body portion; and,  
FIG. 9 is a second reference view of usage, where a plug portion protrudes from the attachment portion.

**1 Claim, 9 Drawing Sheets**

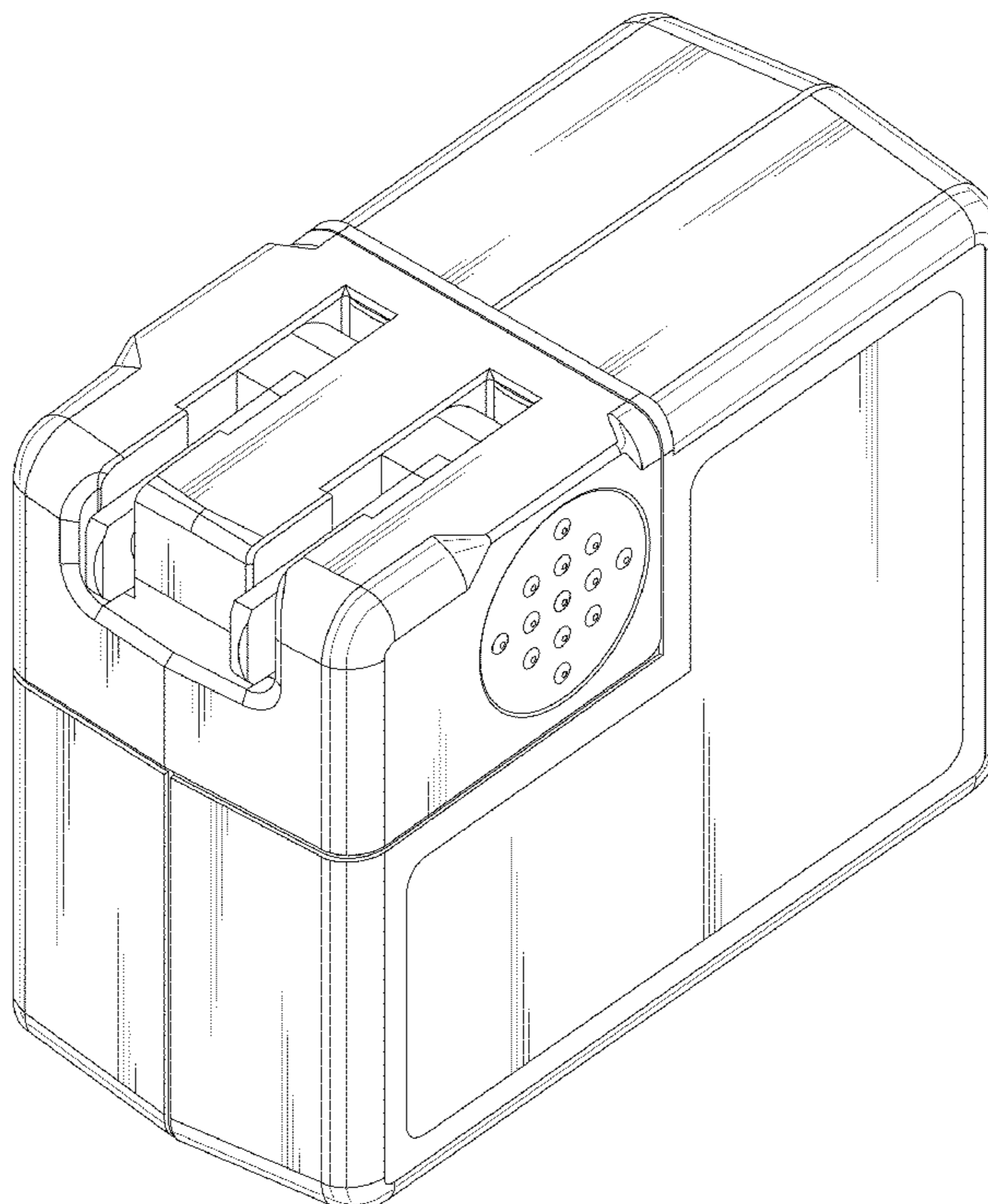


Fig. 1

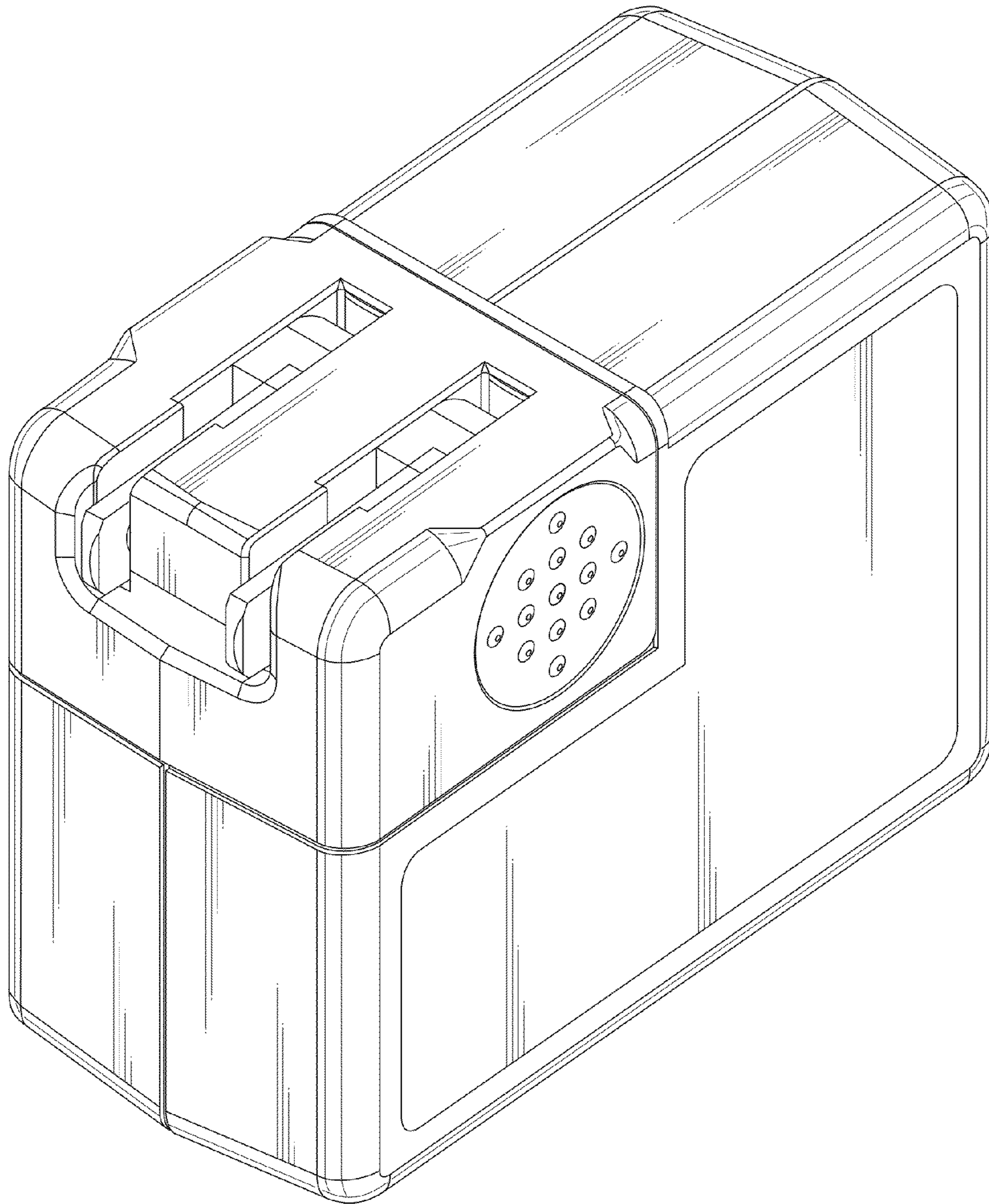


Fig. 2

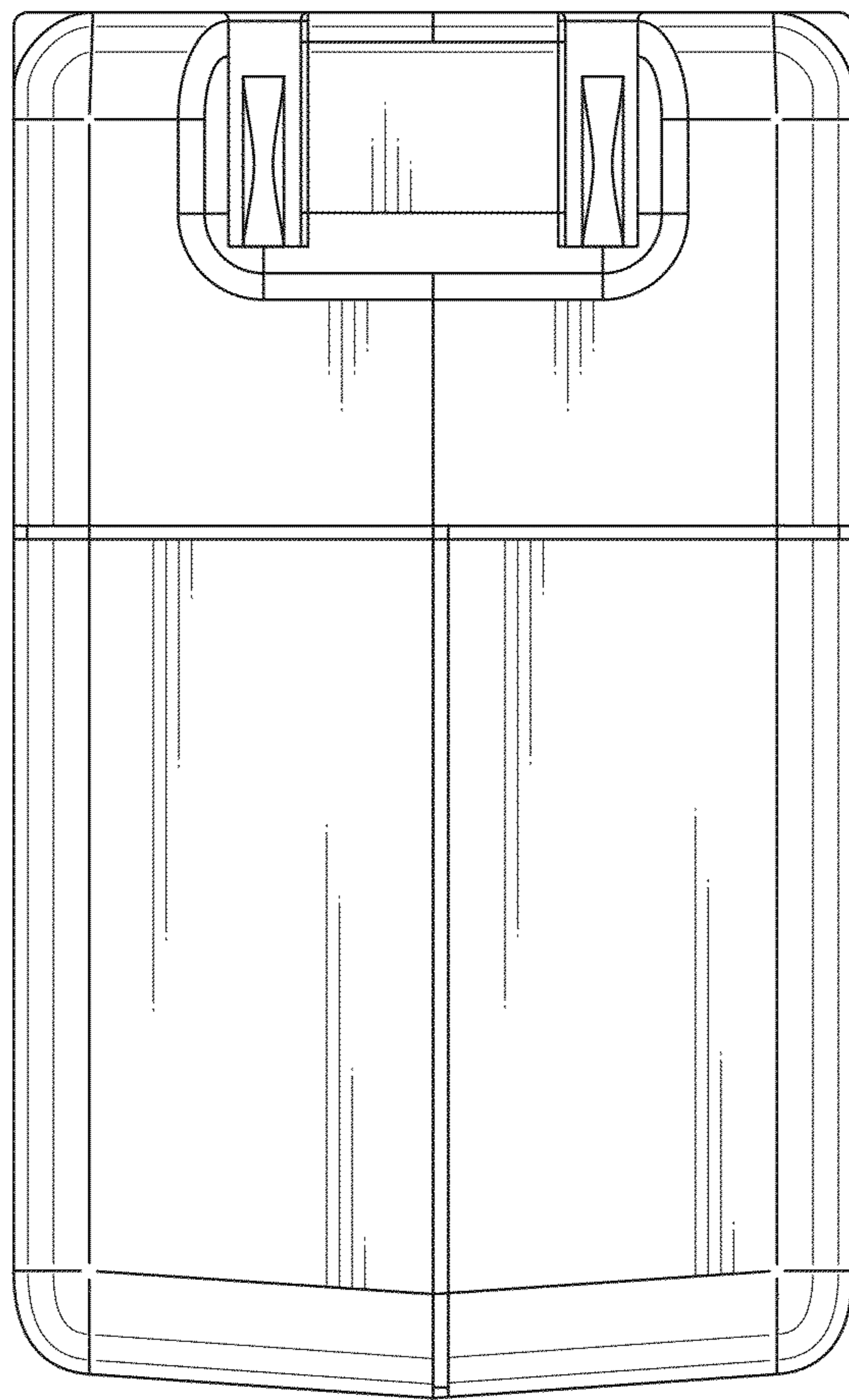


Fig. 3

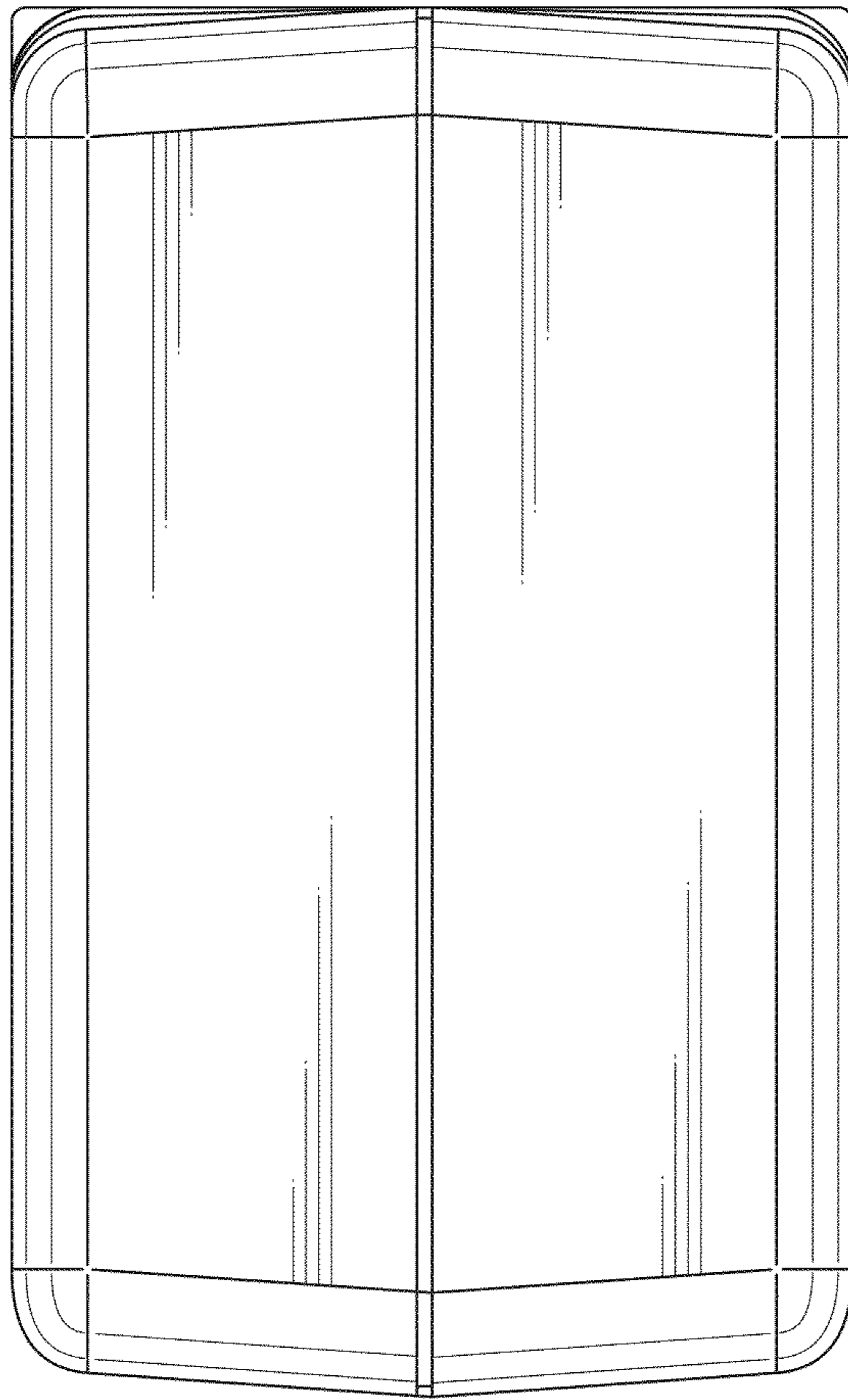


Fig. 4

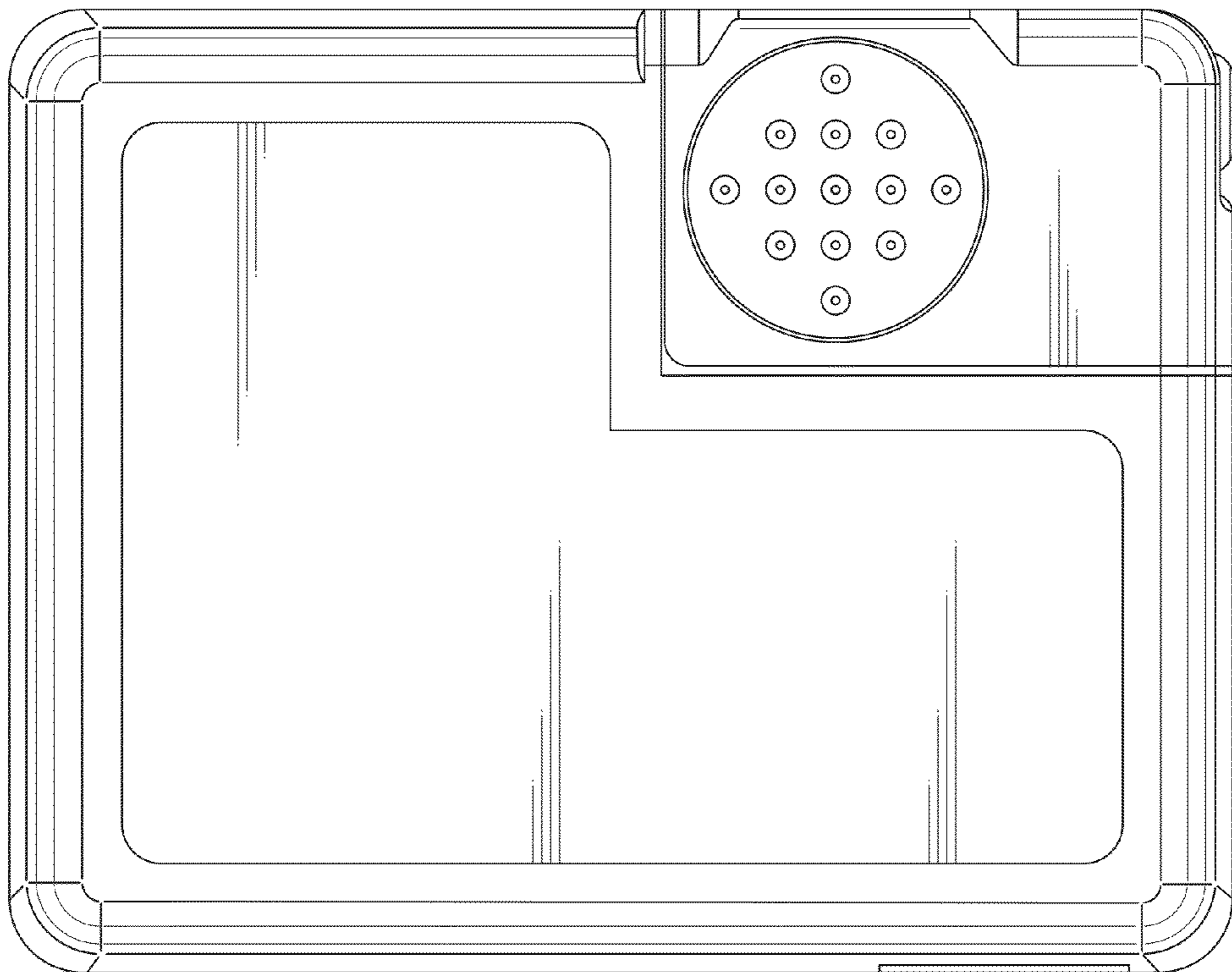


Fig. 5

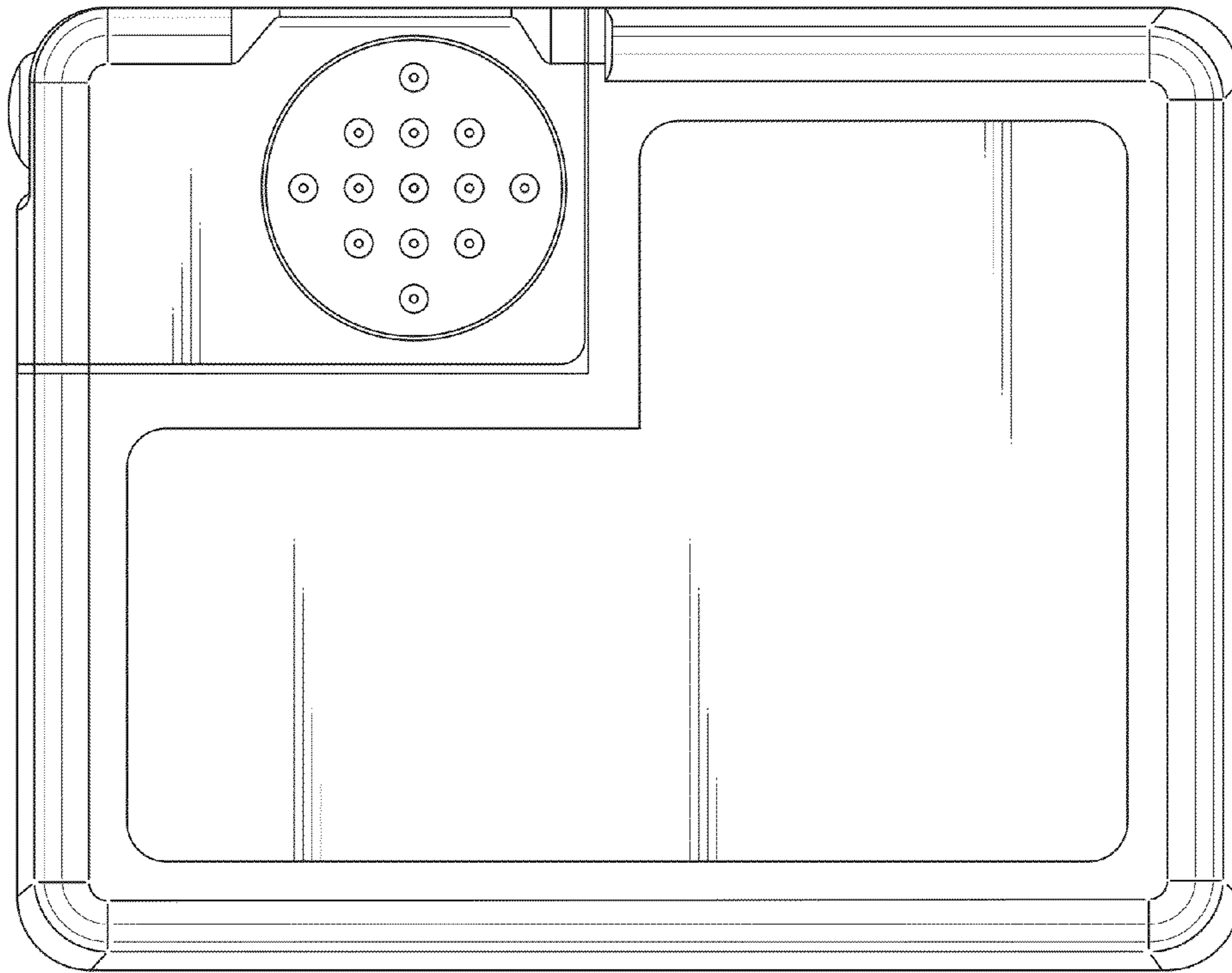


Fig. 6

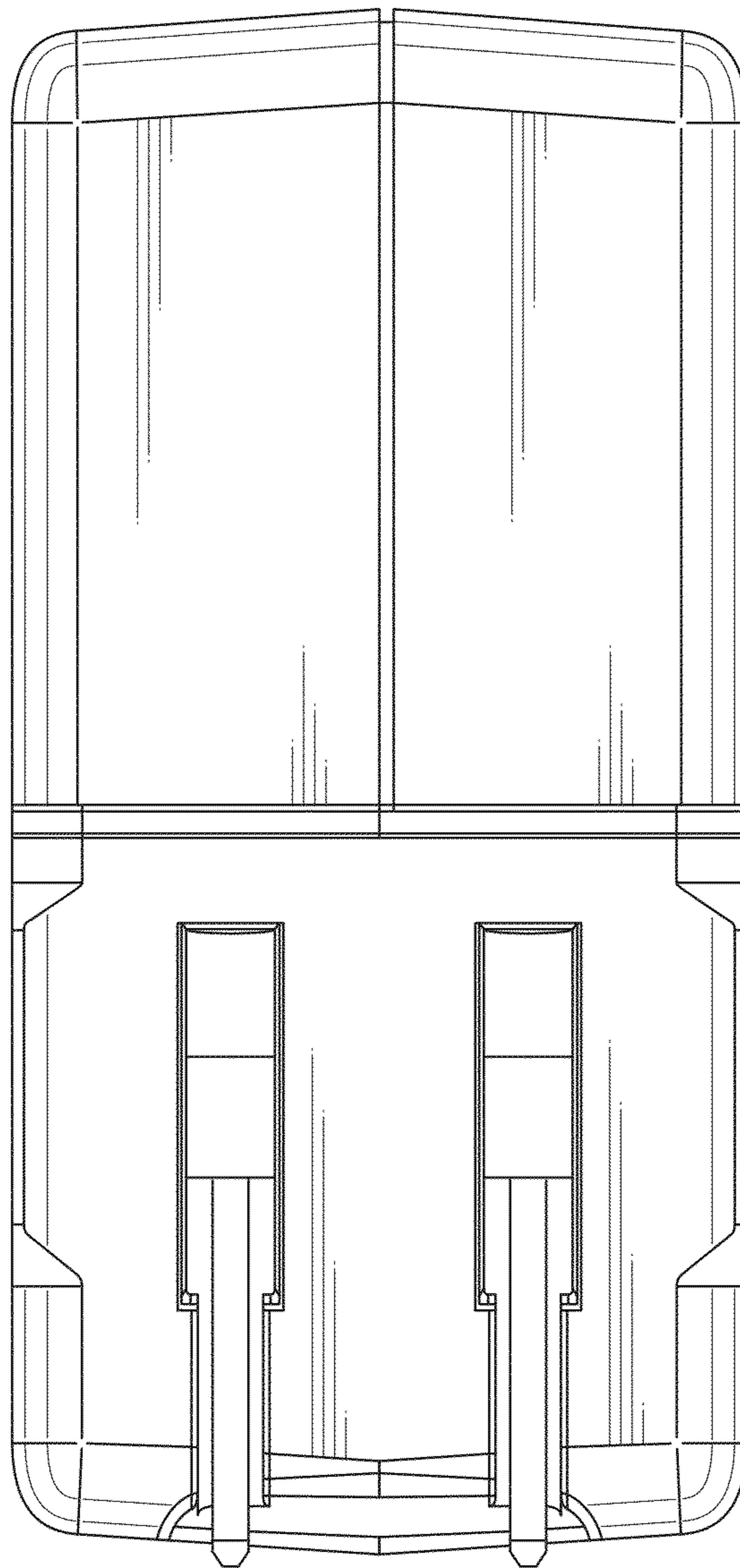


Fig. 7

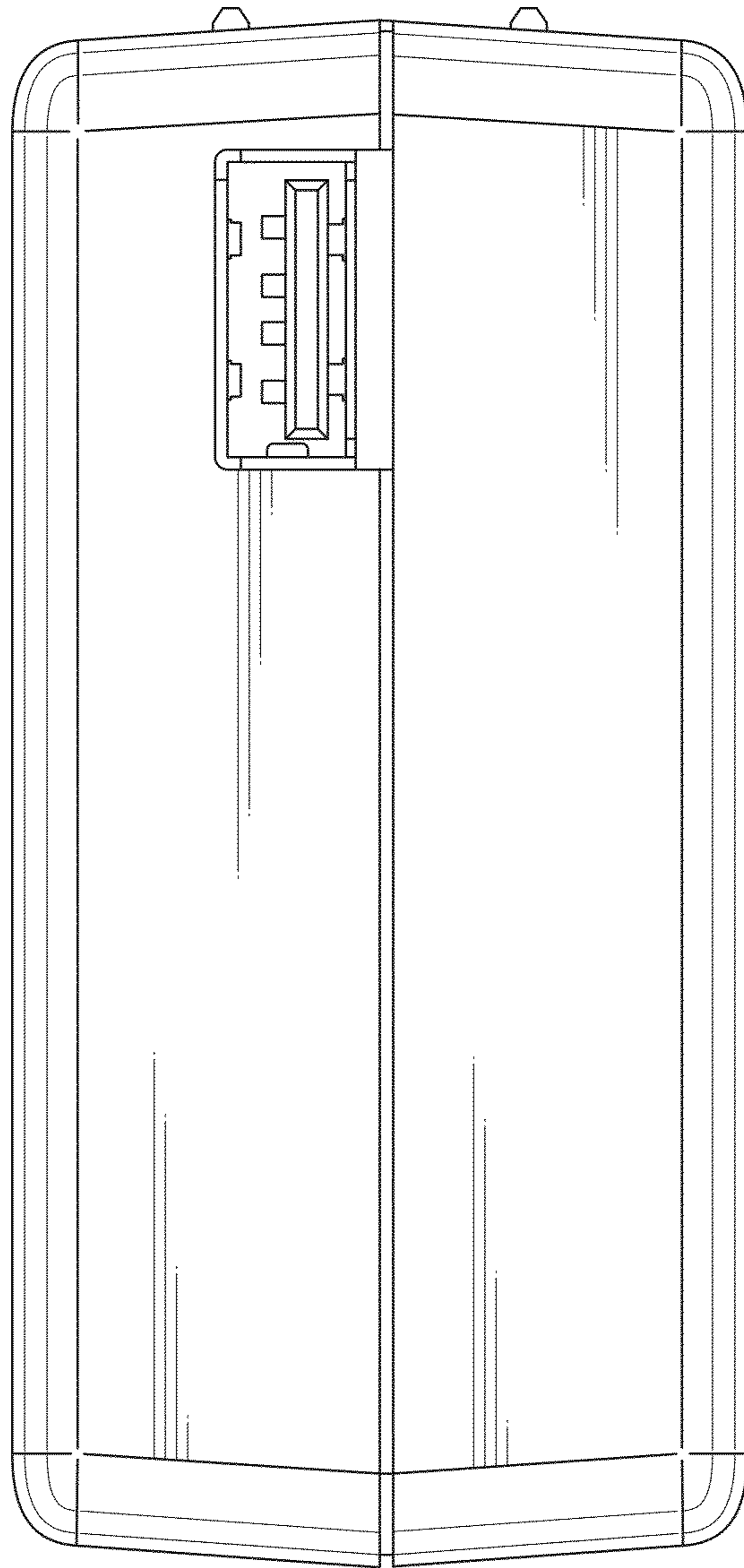




Fig. 8

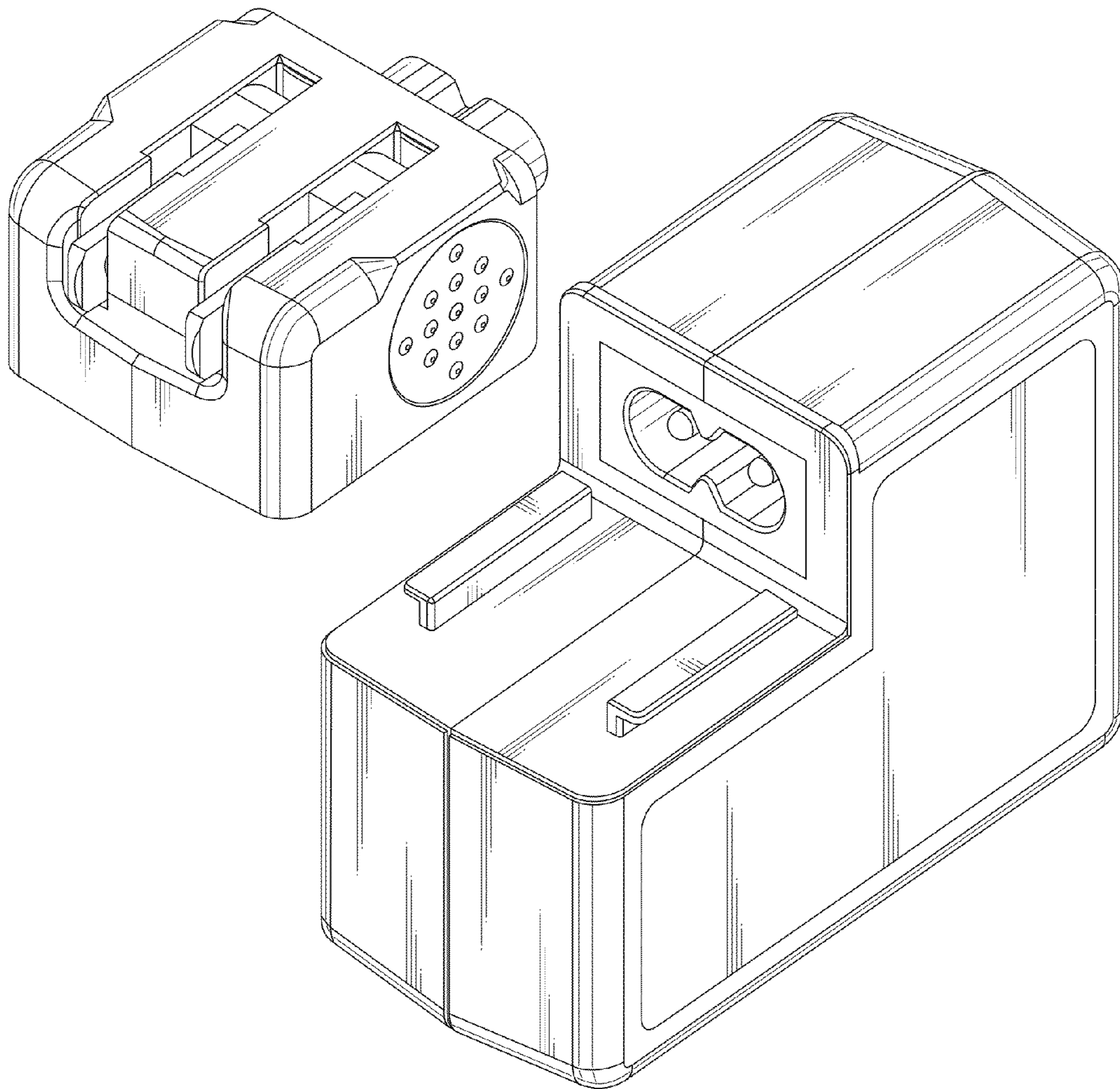


Fig. 9

