



US00D682780S

(12) **United States Design Patent**
Brown

(10) **Patent No.:** **US D682,780 S**

(45) **Date of Patent:** **** May 21, 2013**

- (54) **CONTROLLER CHARGER DOCK**
- (75) Inventor: **Alastair Brown**, Glasgow (GB)
- (73) Assignee: **Simple Audio Ltd.**, Glasgow (GB)
- (**) Term: **14 Years**
- (21) Appl. No.: **29/419,956**
- (22) Filed: **May 3, 2012**
- (51) **LOC (9) Cl.** **13-02**
- (52) **U.S. Cl.**
USPC **D13/108**
- (58) **Field of Classification Search** D13/106–110,
D13/118–119, 184, 199; D14/251, 253, 432,
D14/434; 320/107–115
See application file for complete search history.

- D648,707 S * 11/2011 Akana et al. D14/217
- D649,113 S * 11/2011 Ploss D13/108
- D662,491 S * 6/2012 Andre et al. D14/217
- D662,492 S * 6/2012 Akana et al. D14/217

* cited by examiner

Primary Examiner — Rosemary K Tarcza
(74) *Attorney, Agent, or Firm* — Benesch, Friedlander,
Coplan & Aronof LLP; Thomas Y. Kendrick

(56) **References Cited**

U.S. PATENT DOCUMENTS

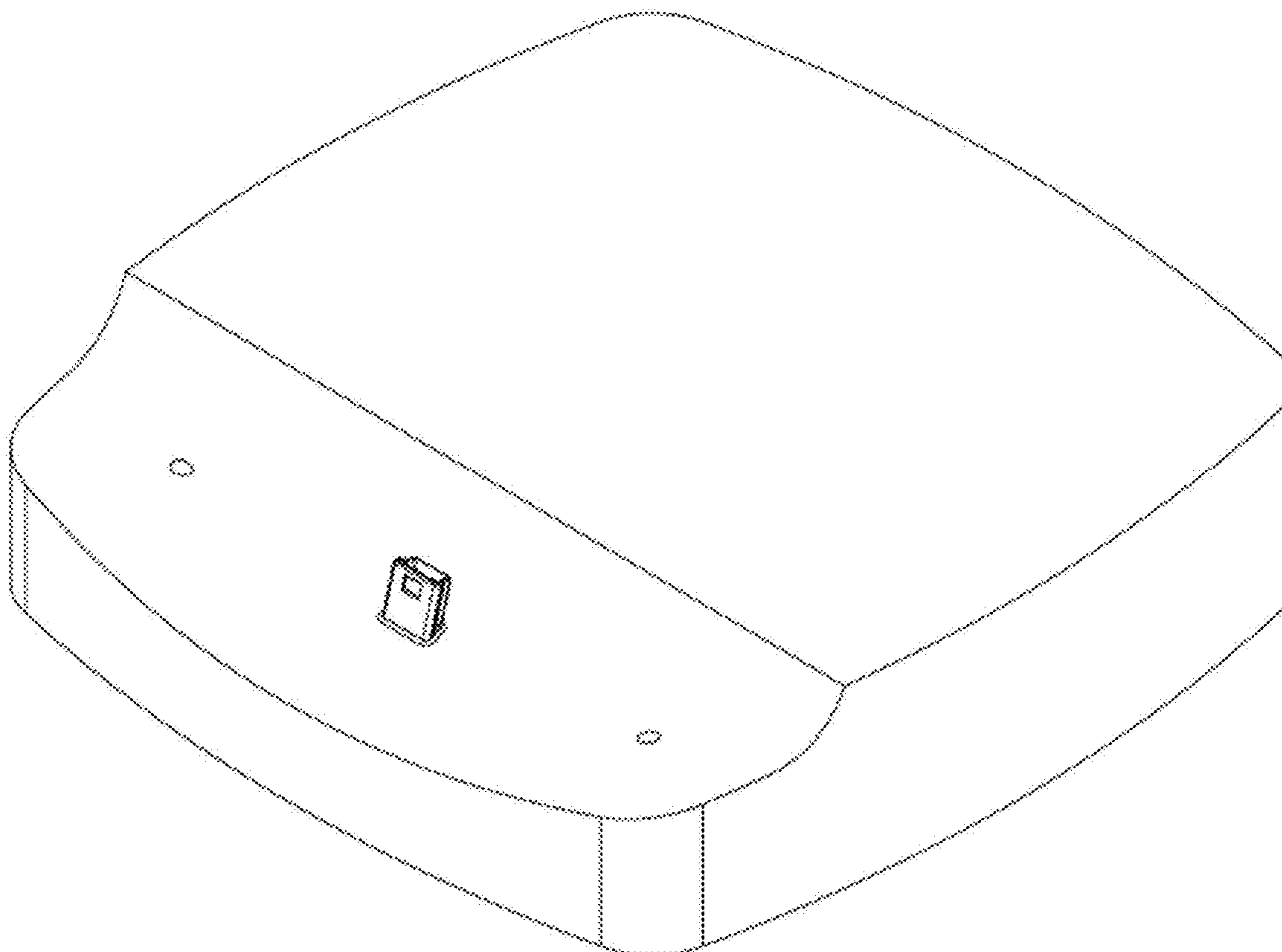
- D532,005 S * 11/2006 Leith D14/253
- D610,128 S * 2/2010 Andre et al. D14/217
- D633,503 S * 3/2011 Bo et al. D14/434
- D634,708 S * 3/2011 Cowan et al. D13/108
- D637,951 S * 5/2011 Perez D13/108
- D642,121 S * 7/2011 Lee et al. D13/108

(57) **CLAIM**
The ornamental design for a controller charger dock, as shown and described.

DESCRIPTION

FIG. 1 is a front perspective view of a controller charger dock; FIG. 2 is a front elevational view thereof; FIG. 3 is a right side elevational view thereof; FIG. 4 is a left side elevational view thereof; FIG. 5 is a rear elevational view thereof; FIG. 6 is a rear perspective view thereof; FIG. 7 is a top plan view thereof; and, FIG. 8 is a bottom plan view thereof.

1 Claim, 8 Drawing Sheets



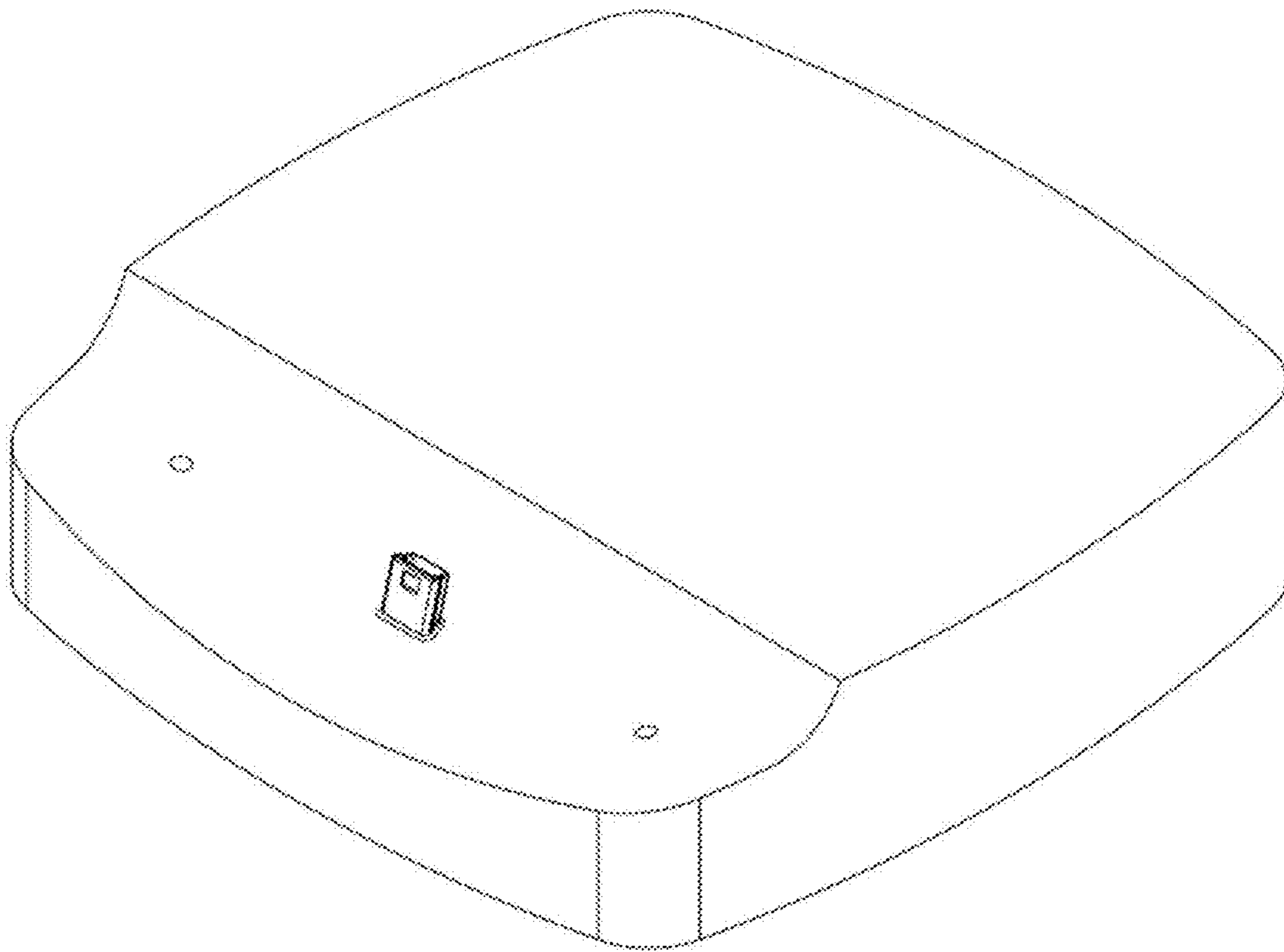


Figure 1

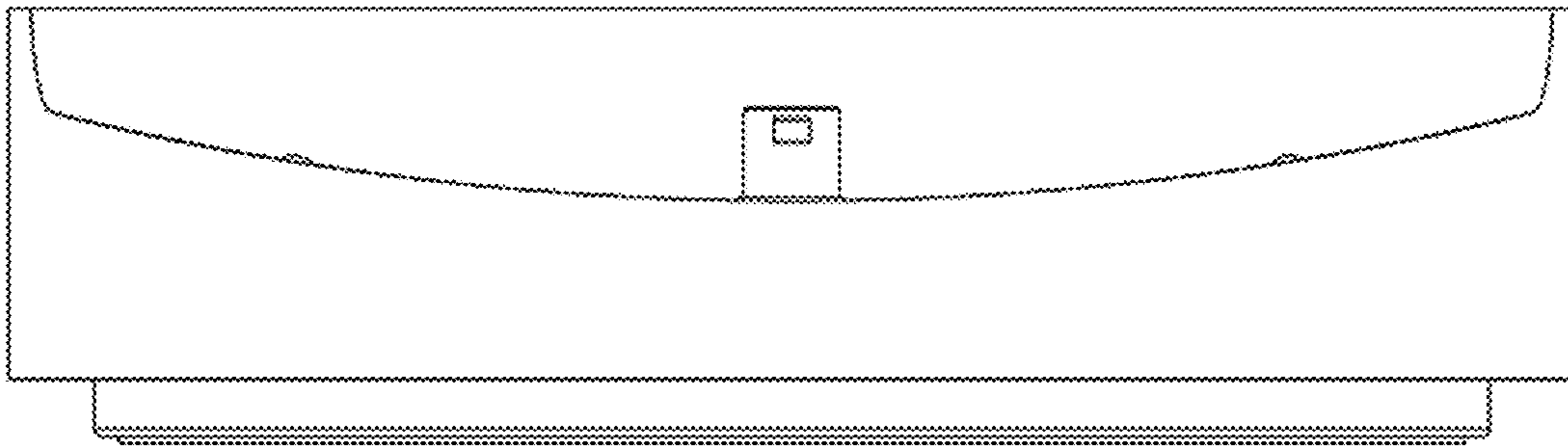


Figure 2

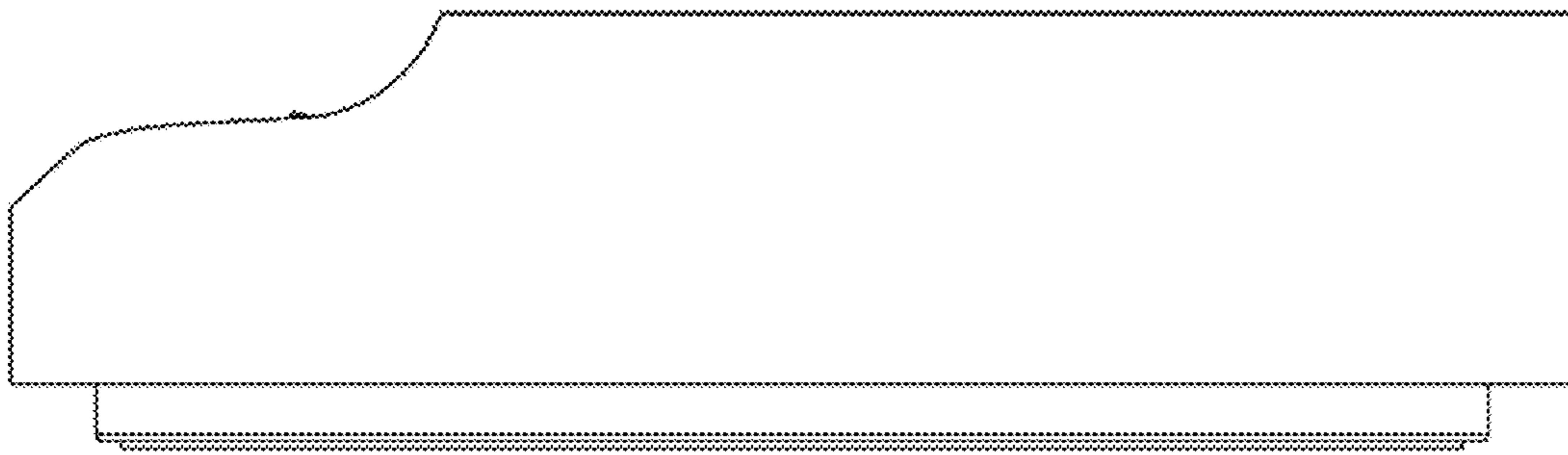


Figure 3

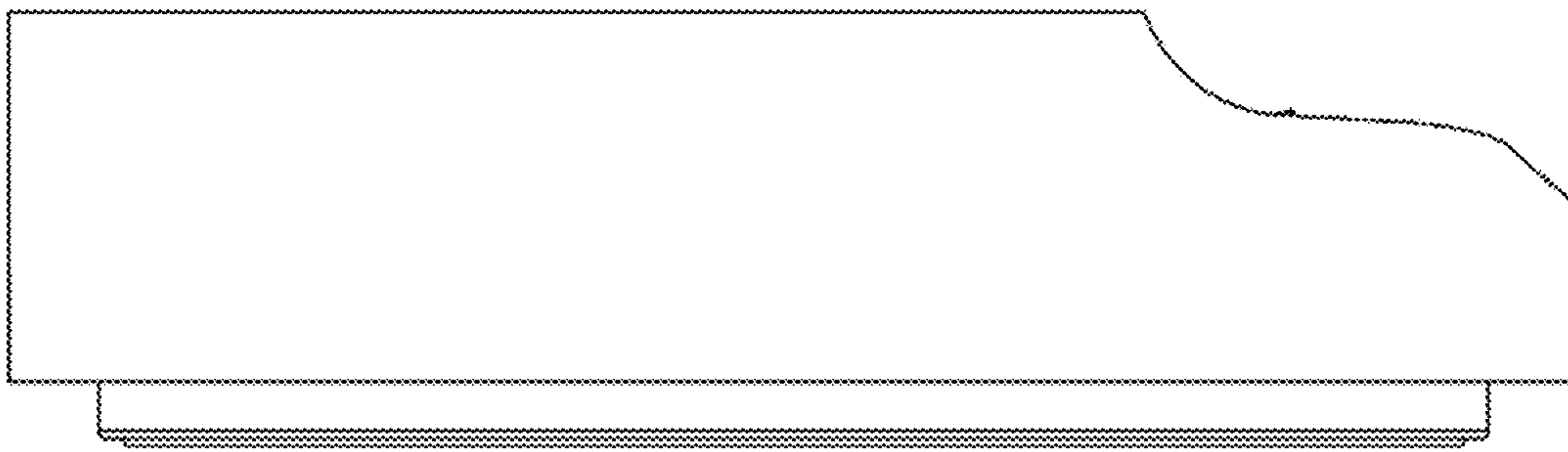


Figure 4

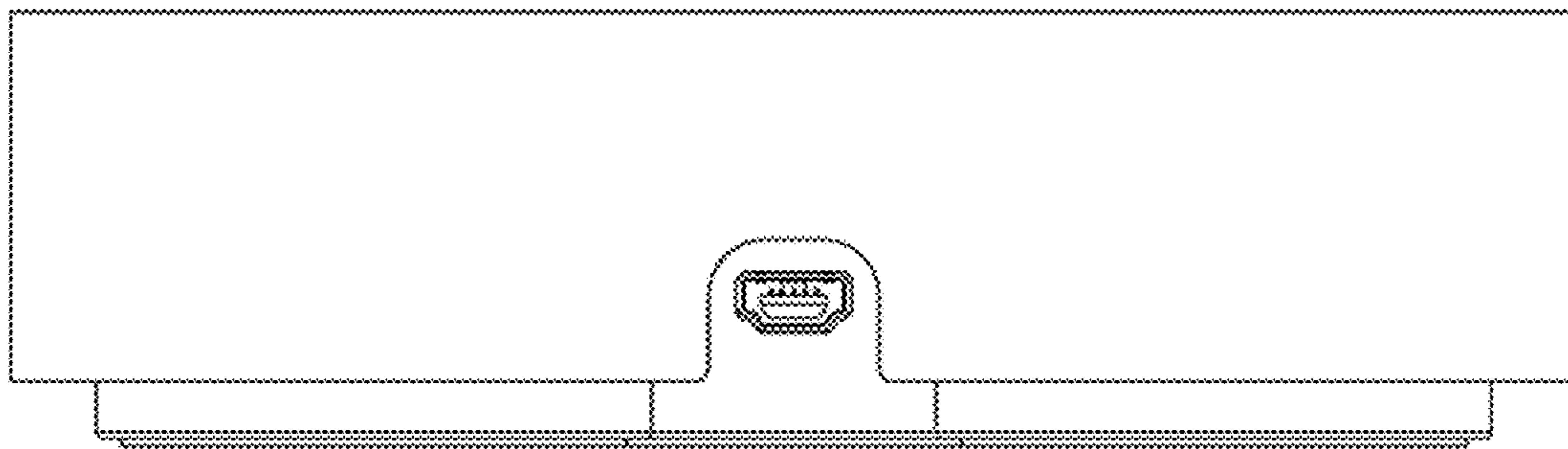


Figure 5

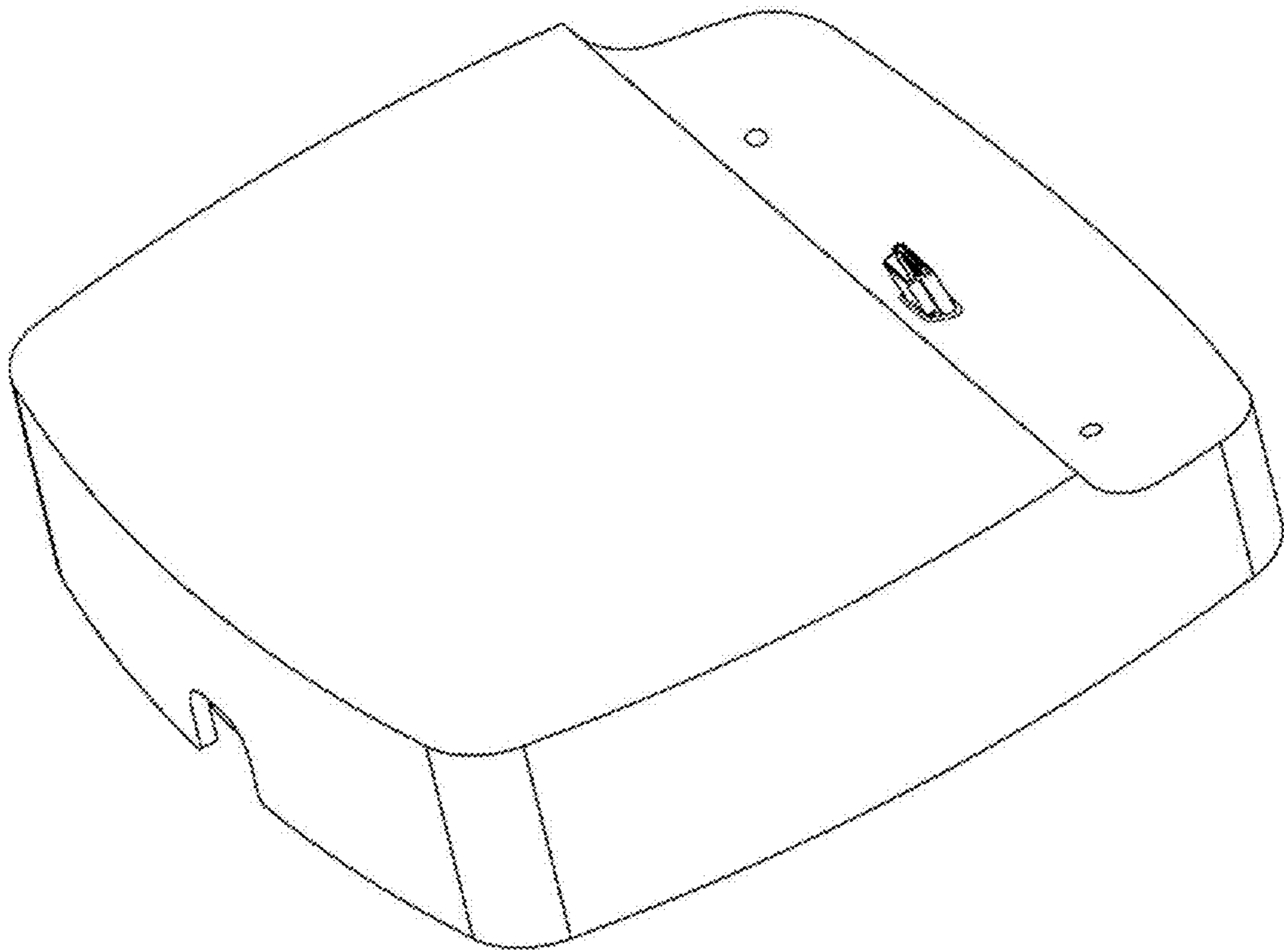


Figure 6

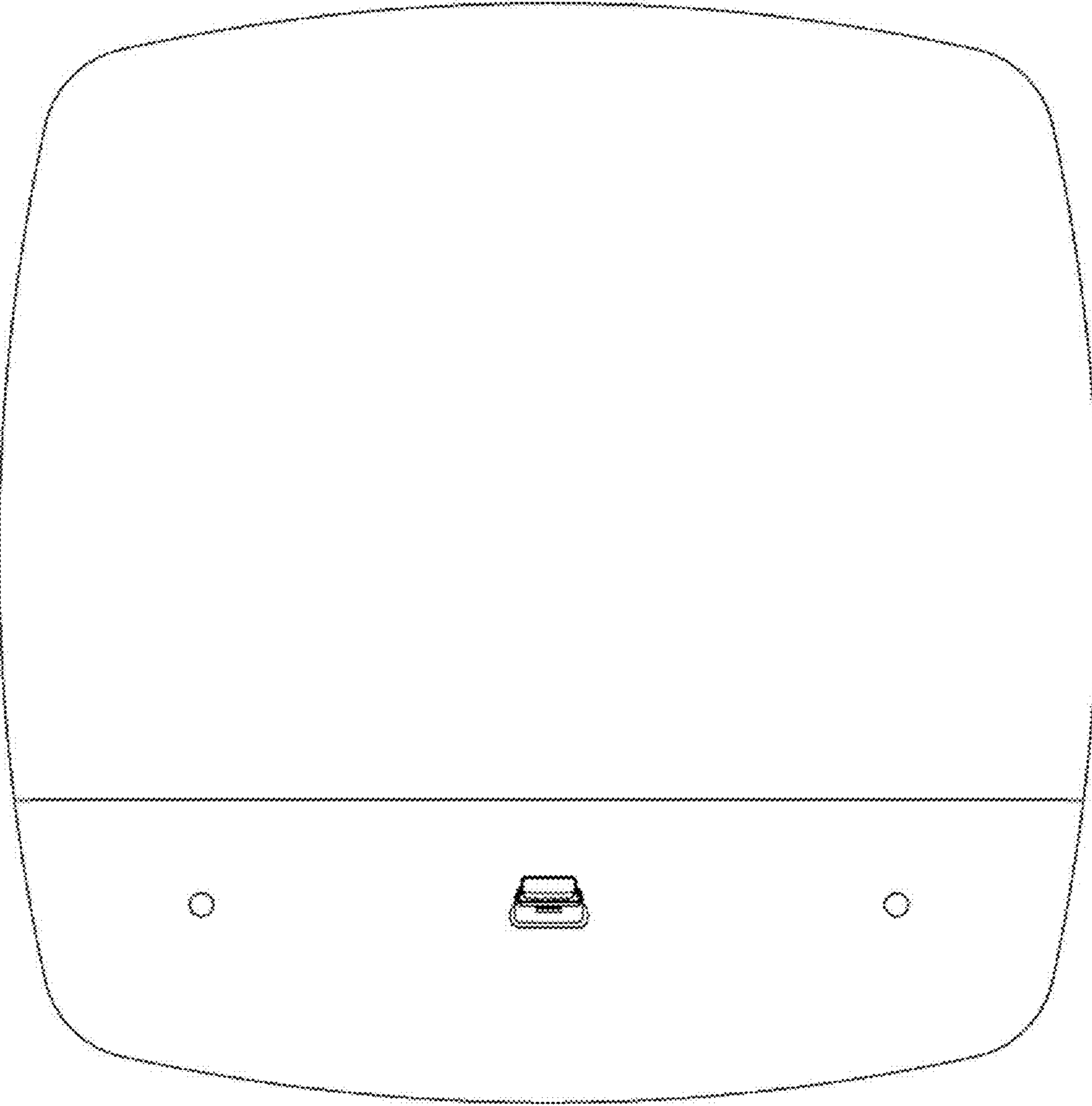


Figure 7

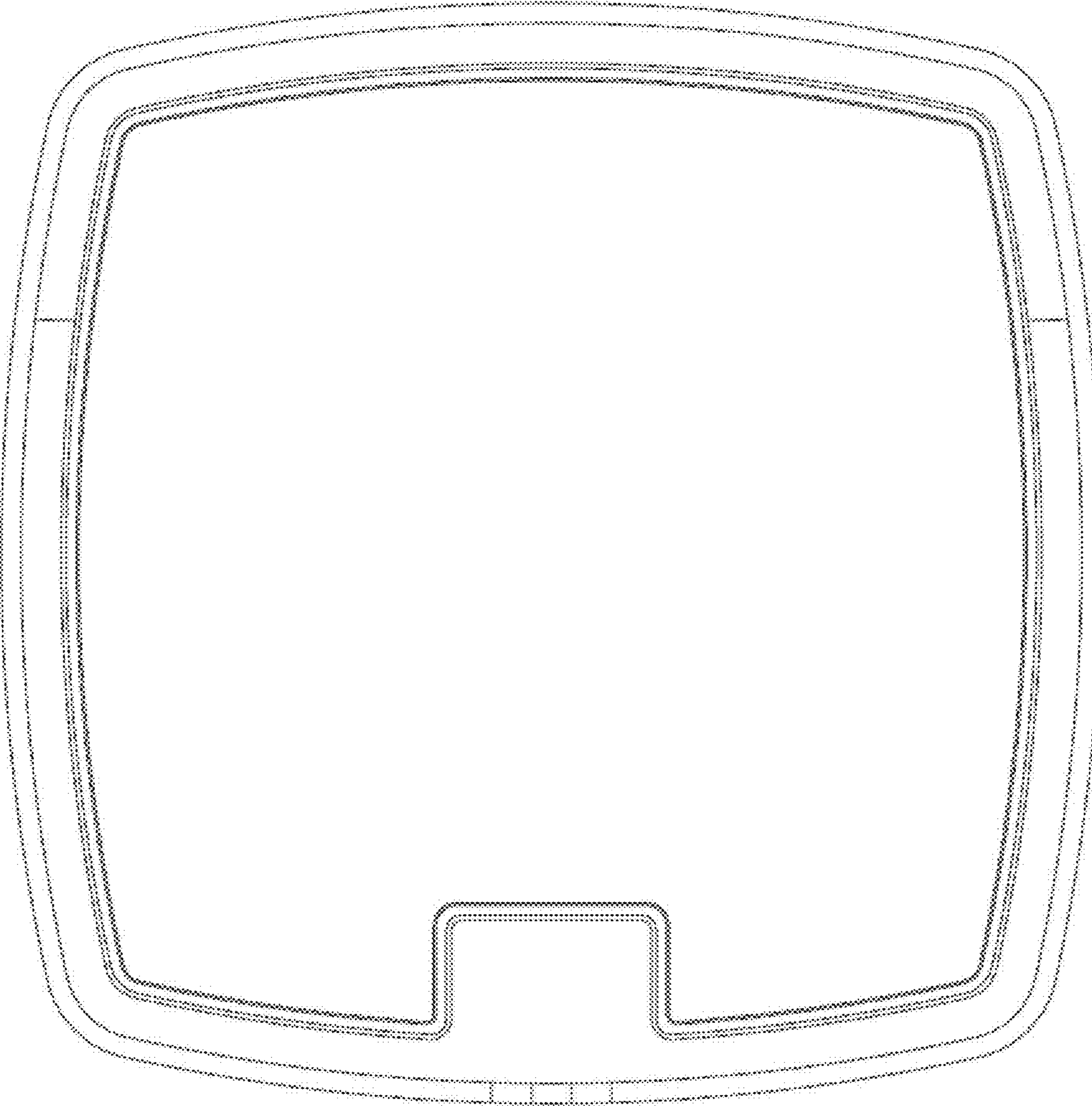


Figure 8