



US00D682779S

(12) **United States Design Patent**
Magnusson

(10) **Patent No.:** **US D682,779 S**

(45) **Date of Patent:** **** May 21, 2013**

(54) **APPARATUS FOR RECHARGING BATTERIES**

(75) Inventor: **Tor Magnusson**, Stockholm (SE)

(73) Assignee: **CTEK Sweden AB**, Vikmanshyttan (SE)

(**) Term: **14 Years**

(21) Appl. No.: **29/378,528**

(22) Filed: **Nov. 5, 2010**

(30) **Foreign Application Priority Data**

May 6, 2010 (EM) 001705138-0001

(51) **LOC (9) Cl.** **13-02**

(52) **U.S. Cl.**
USPC **D13/107**

(58) **Field of Classification Search** D13/103,
D13/107-110, 118-119, 184, 199; 320/107-115
See application file for complete search history.

(56) **References Cited**

U.S. PATENT DOCUMENTS

D321,168 S * 10/1991 Usami D13/107

D477,824 S * 7/2003 Taniguchi D14/434

D482,008 S * 11/2003 Petronio D13/184
D483,725 S * 12/2003 Thompson et al. D13/184
D590,338 S * 4/2009 Guccione et al. D13/107
D627,719 S * 11/2010 DuMelle et al. D13/110

* cited by examiner

Primary Examiner — Rosemary K Tarcza

(74) *Attorney, Agent, or Firm* — Panitch Schwarze Belisario & Nadel LLP

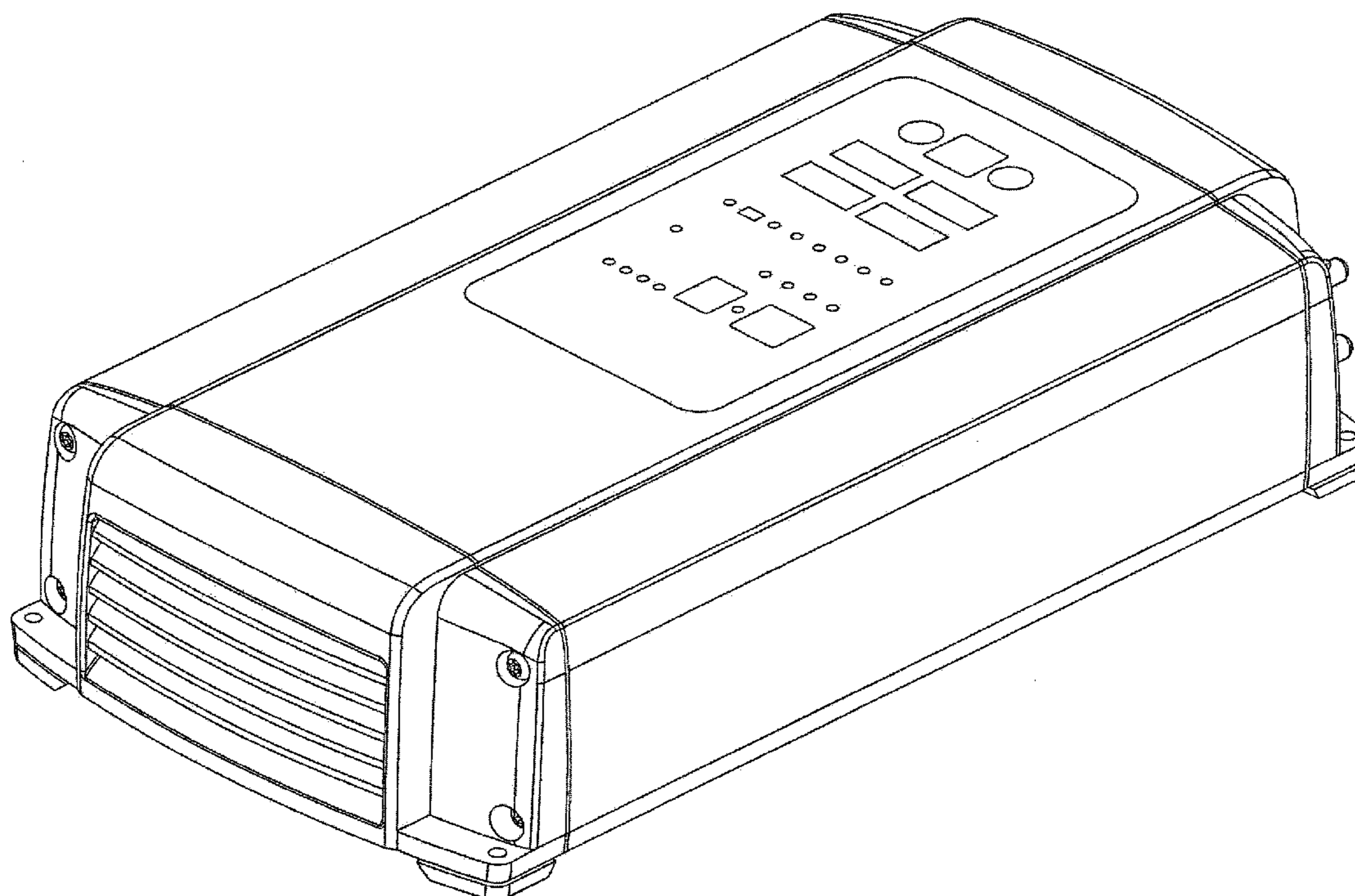
(57) **CLAIM**

The ornamental design for an apparatus for recharging batteries, as shown and described.

DESCRIPTION

FIG. 1 is a perspective view of an apparatus for recharging batteries in accordance with my new design;
FIG. 2 is a top plan view thereof;
FIG. 3 is a bottom plan view thereof;
FIG. 4 is a rear elevation view thereof;
FIG. 5 is a front elevation view thereof
FIG. 6 is a right side elevation view thereof; and,
FIG. 7 is a left side elevation view thereof.
The broken lines in the figures are for the purpose of illustrating the unclaimed portions of the apparatus for recharging batteries and form no part of the claimed design.

1 Claim, 7 Drawing Sheets



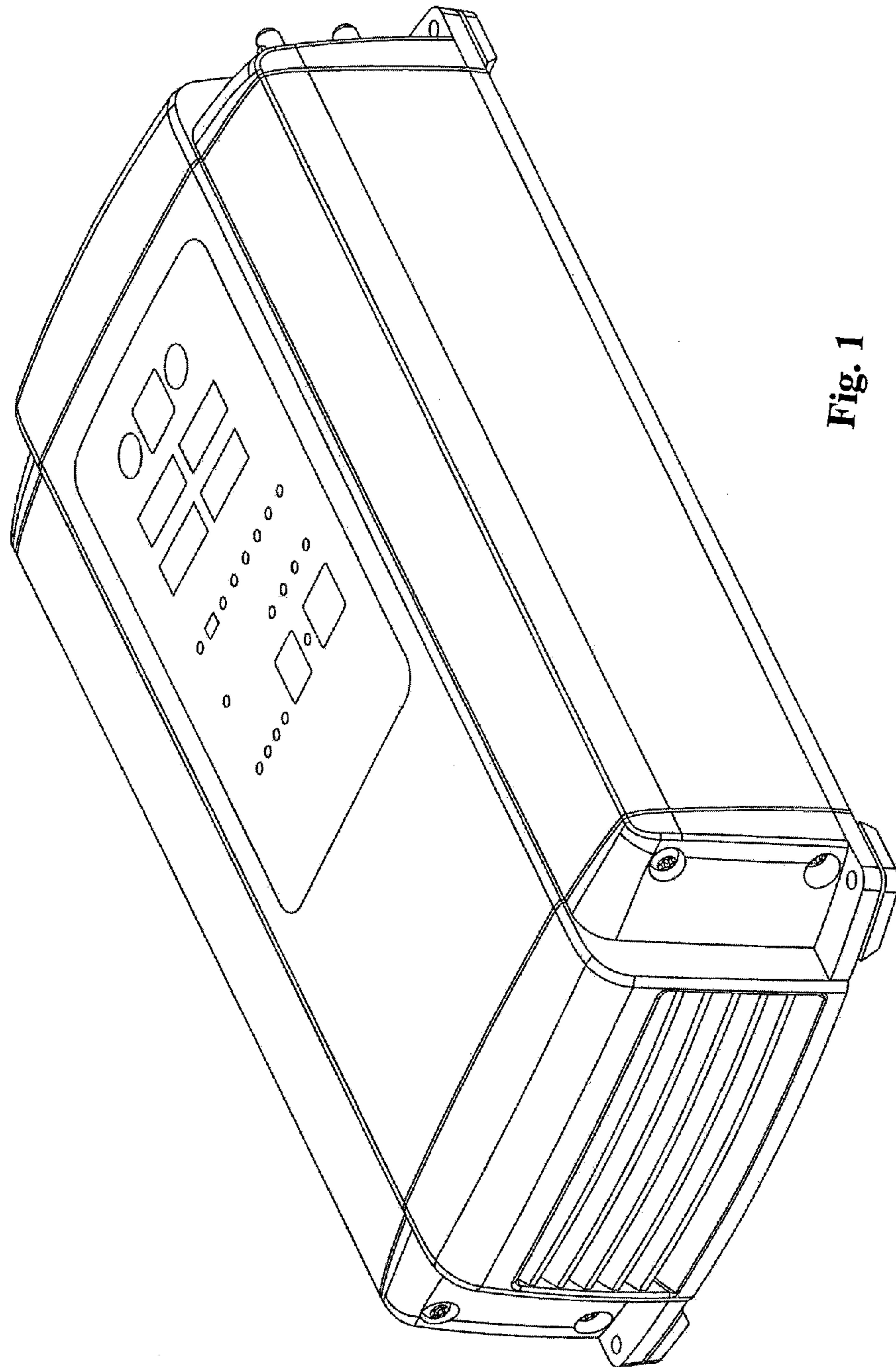


Fig. 1

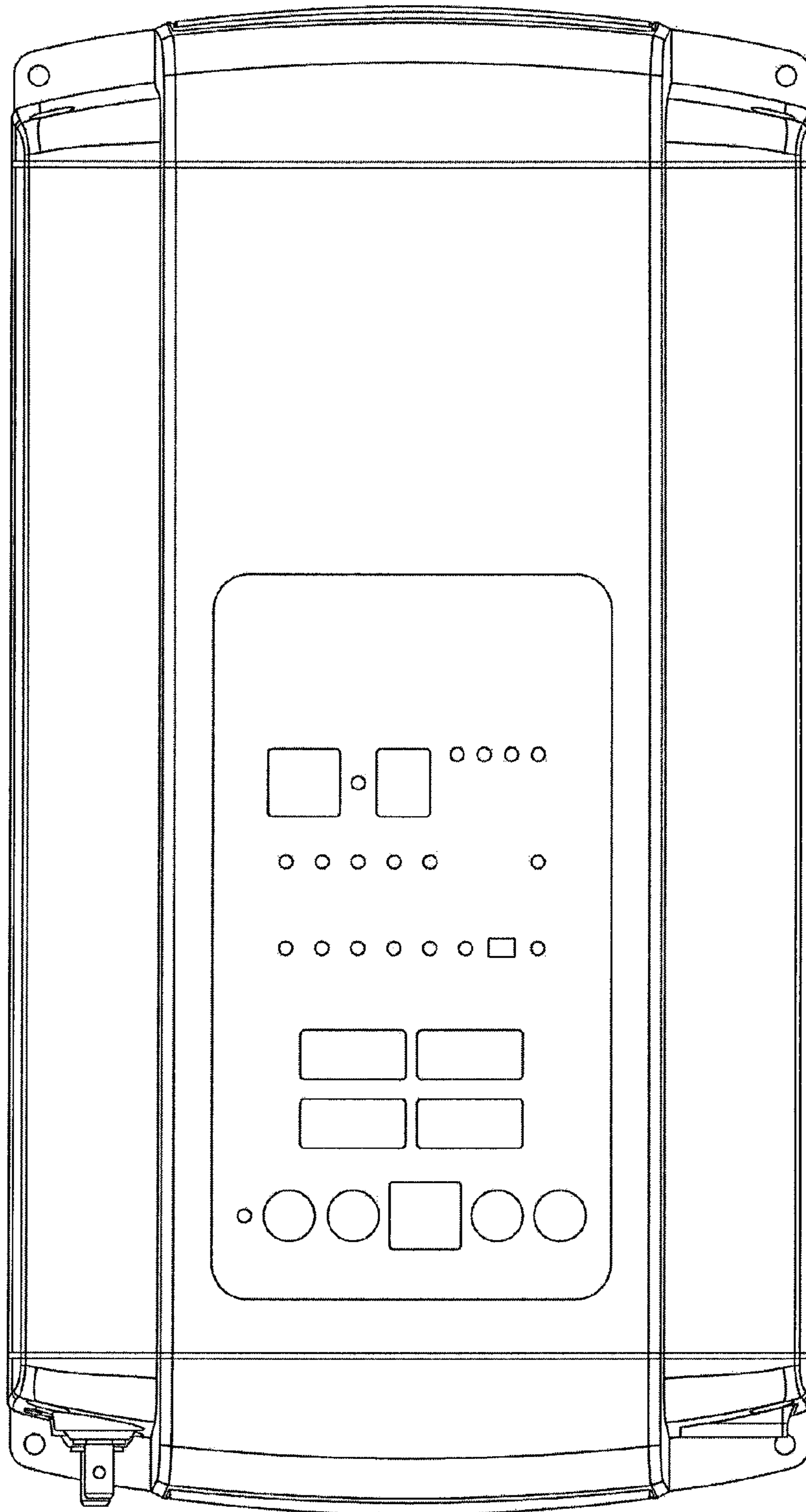


Fig. 2

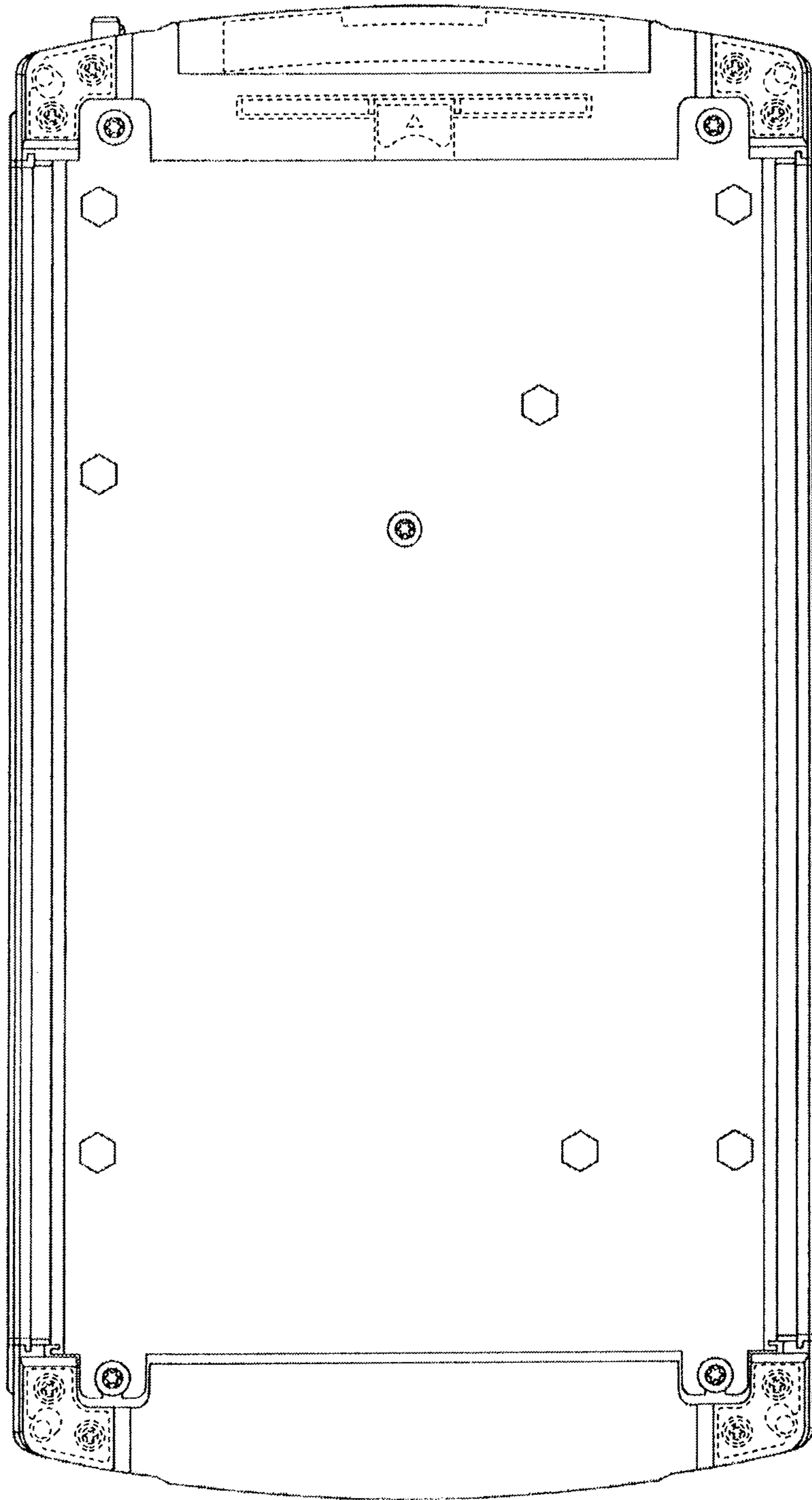


Fig. 3

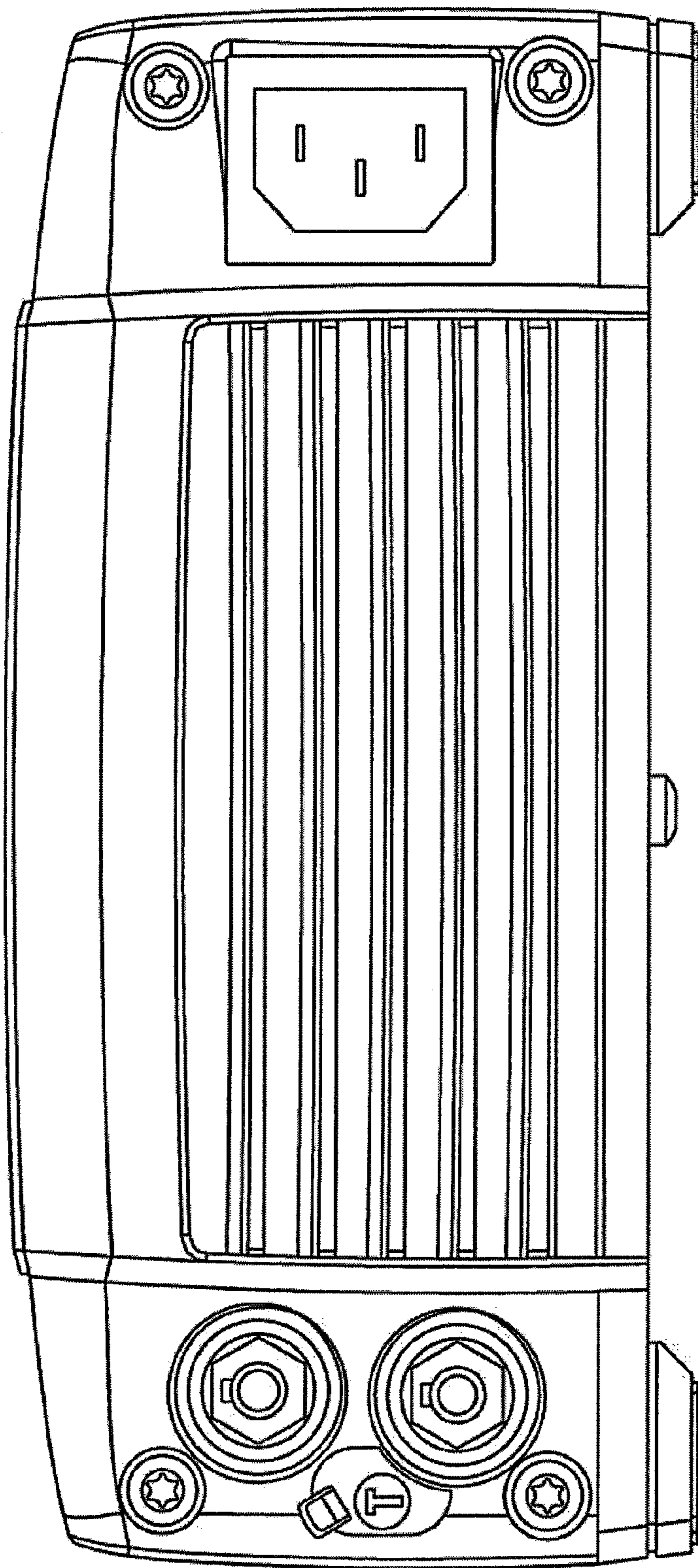


Fig. 4

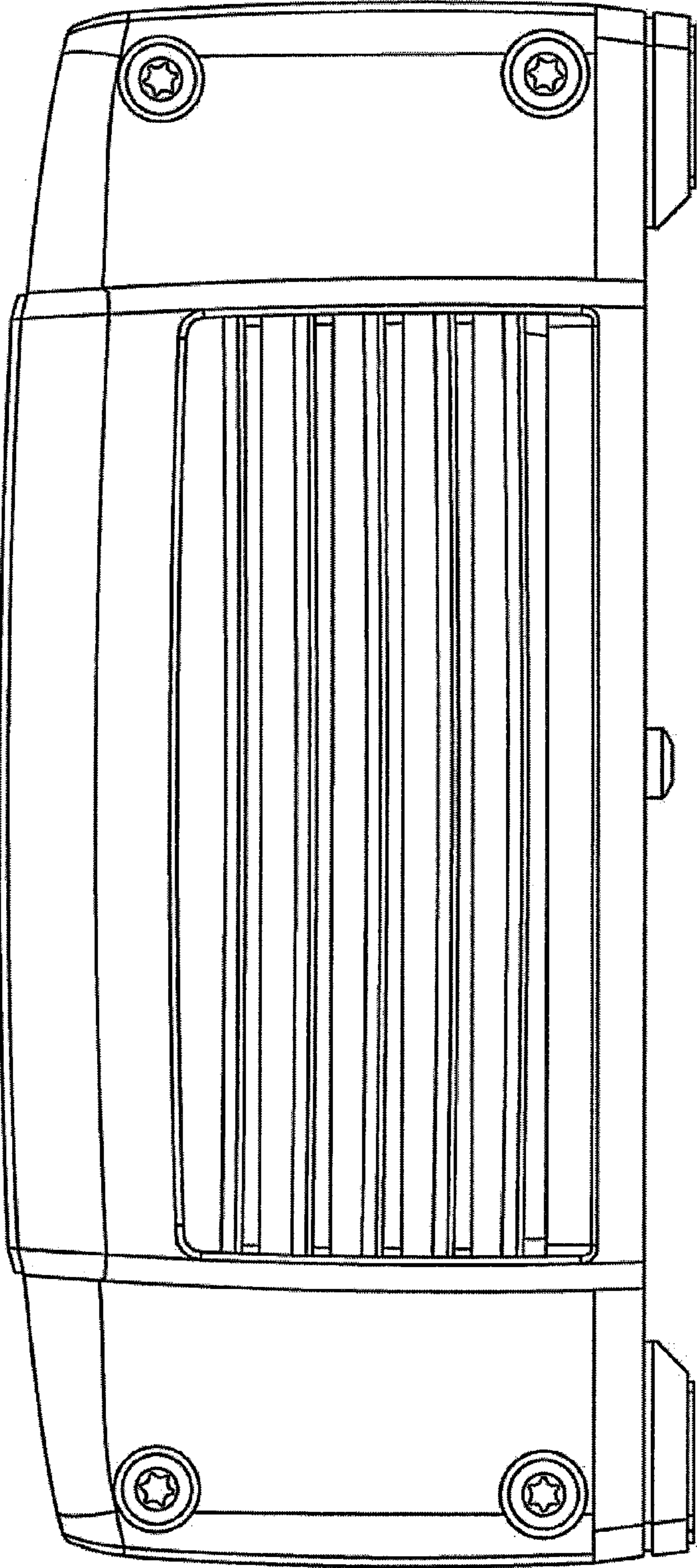


Fig. 5

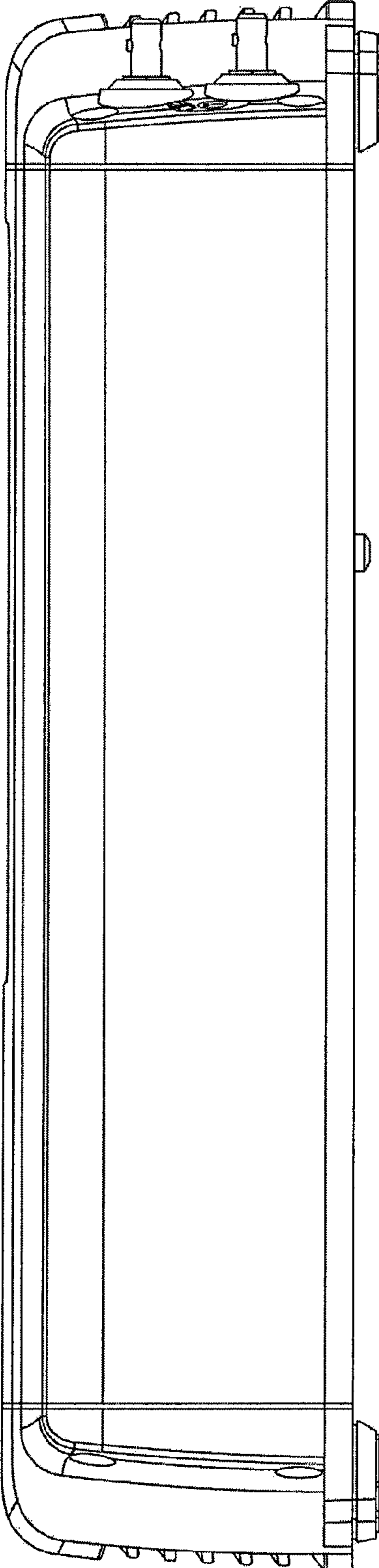


Fig. 6

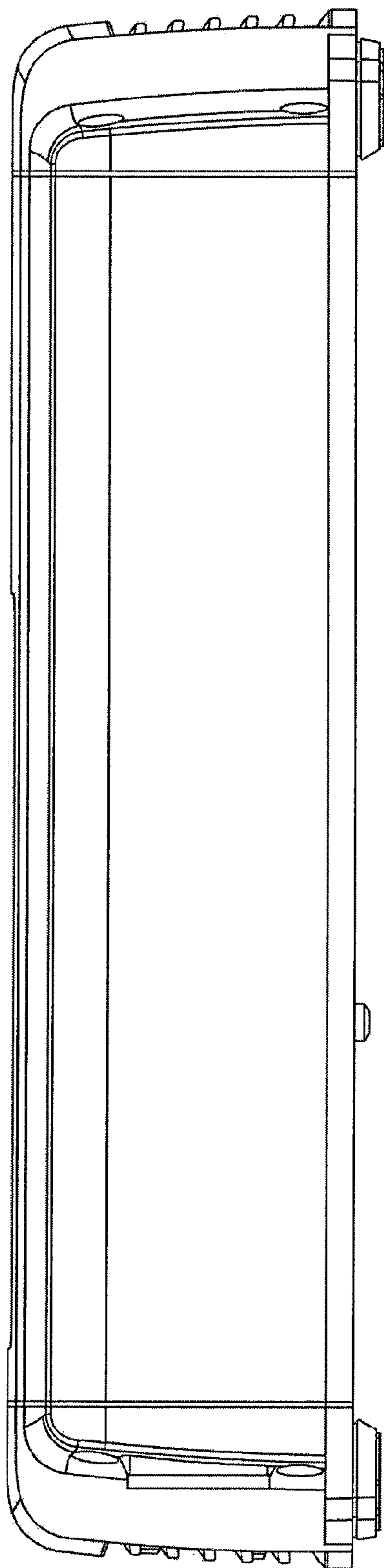


Fig. 7