



US00D682778S

(12) **United States Design Patent**
Baumgartner et al.

(10) **Patent No.:** **US D682,778 S**

(45) **Date of Patent:** **** May 21, 2013**

(54) **BATTERY**

(71) Applicants: **Karen Ann Baumgartner**, San Mateo, CA (US); **David Andres Guasca**, San Mateo, CA (US); **David Christopher Northway**, San Mateo, CA (US)

(72) Inventors: **Karen Ann Baumgartner**, San Mateo, CA (US); **David Andres Guasca**, San Mateo, CA (US); **David Christopher Northway**, San Mateo, CA (US)

(73) Assignee: **Woodman Labs, Inc.**, San Mateo, CA (US)

(**) Term: **14 Years**

(21) Appl. No.: **29/434,205**

(22) Filed: **Oct. 10, 2012**

(51) **LOC (9) Cl.** **13-02**

(52) **U.S. Cl.**
USPC **D13/103**

(58) **Field of Classification Search**
USPC D13/102-106, 110, 118-119, 184;
429/96-100, 163, 176
See application file for complete search history.

(56) **References Cited**

U.S. PATENT DOCUMENTS

5,216,371 A * 6/1993 Nagai 324/428
D408,796 S * 4/1999 Georgopoulos D14/354

D412,153 S * 7/1999 Chen D13/103
D449,577 S * 10/2001 Nishio et al. D13/103
D480,682 S * 10/2003 Kawase D13/103
D516,503 S * 3/2006 Takeshita et al. D13/103
D524,241 S * 7/2006 Takeshita et al. D13/103
D660,788 S * 5/2012 Ziring et al. D13/103
D665,340 S * 8/2012 Obata D13/103
8,247,106 B2 * 8/2012 Takeshita et al. 429/100

* cited by examiner

Primary Examiner — Rosemary K Tarcza

(74) *Attorney, Agent, or Firm* — Fenwick & West LLP

(57) **CLAIM**

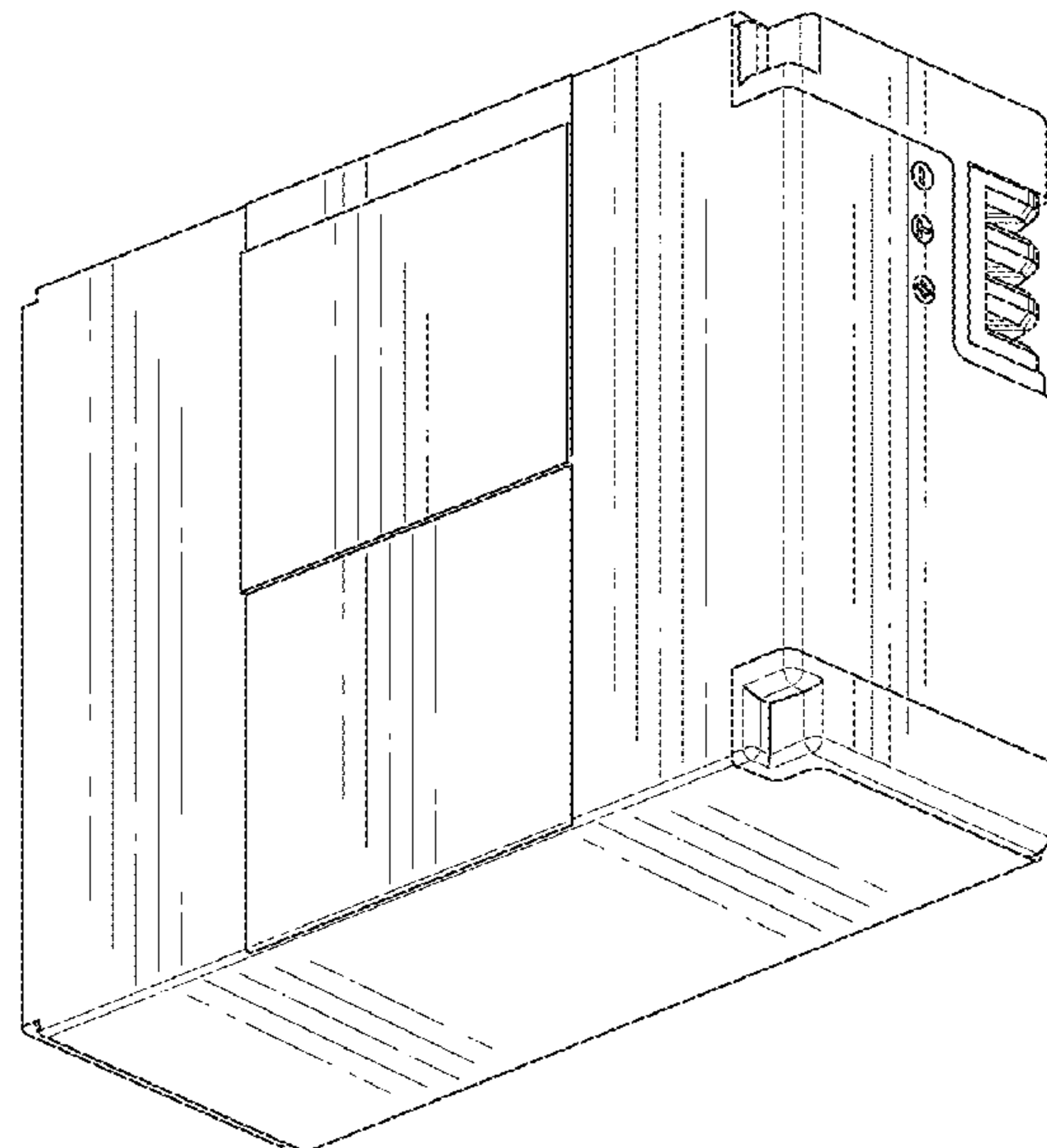
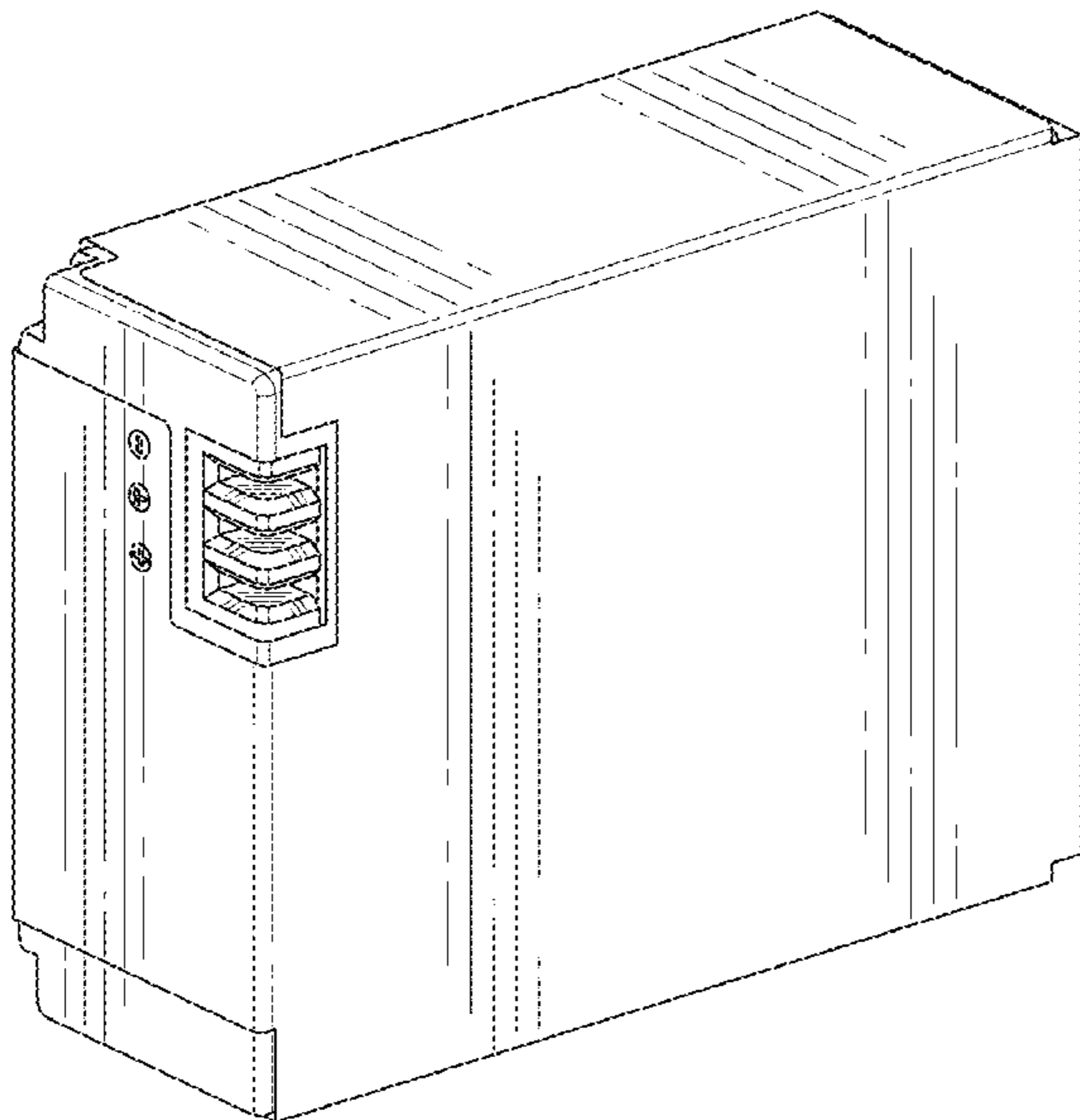
The ornamental design for a battery, as shown and described.

DESCRIPTION

FIG. 1 is a front, top and left side perspective view of a battery showing our new design according to a first embodiment; FIG. 2 is a rear, bottom and left side perspective view thereof; FIG. 3 is a rear, top and right side perspective view thereof; FIG. 4 is a rear elevational view thereof; FIG. 5 is a front elevational view thereof; FIG. 6 is a top plan view thereof; FIG. 7 is a bottom plan view thereof; FIG. 8 is a right side elevational view thereof; and, FIG. 9 is a left side elevational view thereof.

The broken lines in the drawings showing portions of the battery are included for the purpose of illustrating environmental structure and form no part of the claimed design.

1 Claim, 7 Drawing Sheets



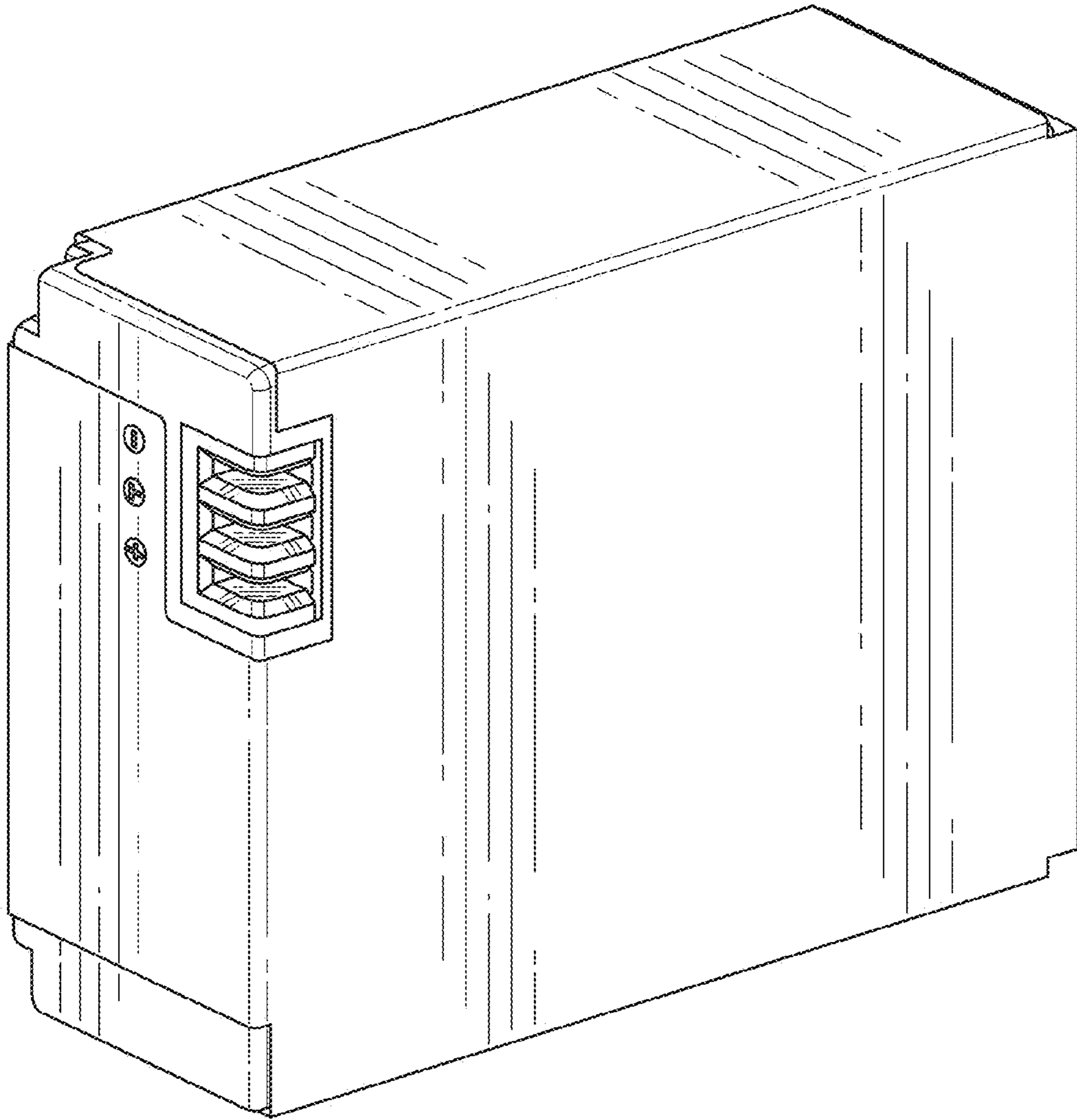


FIG. 1

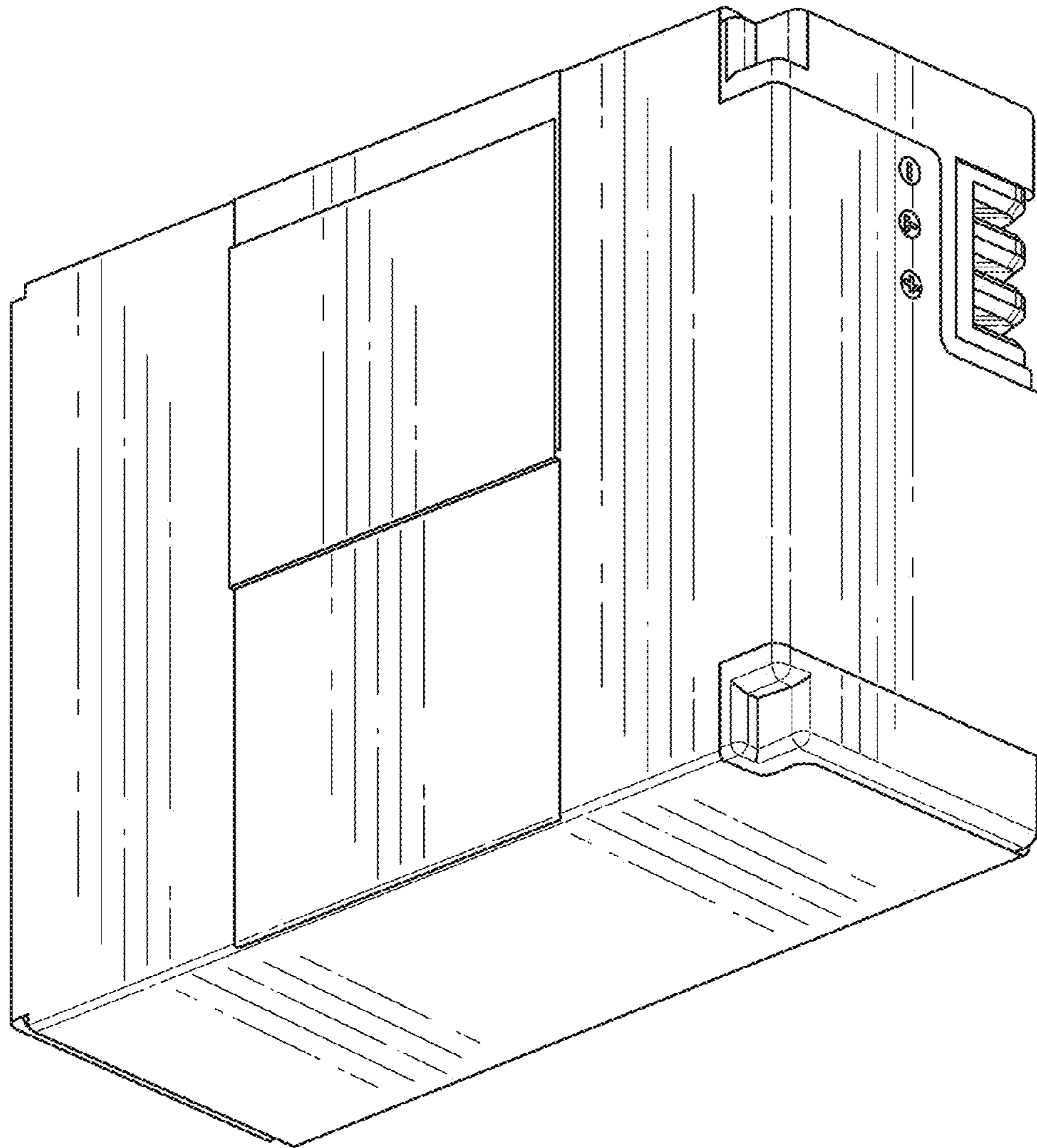


FIG. 2

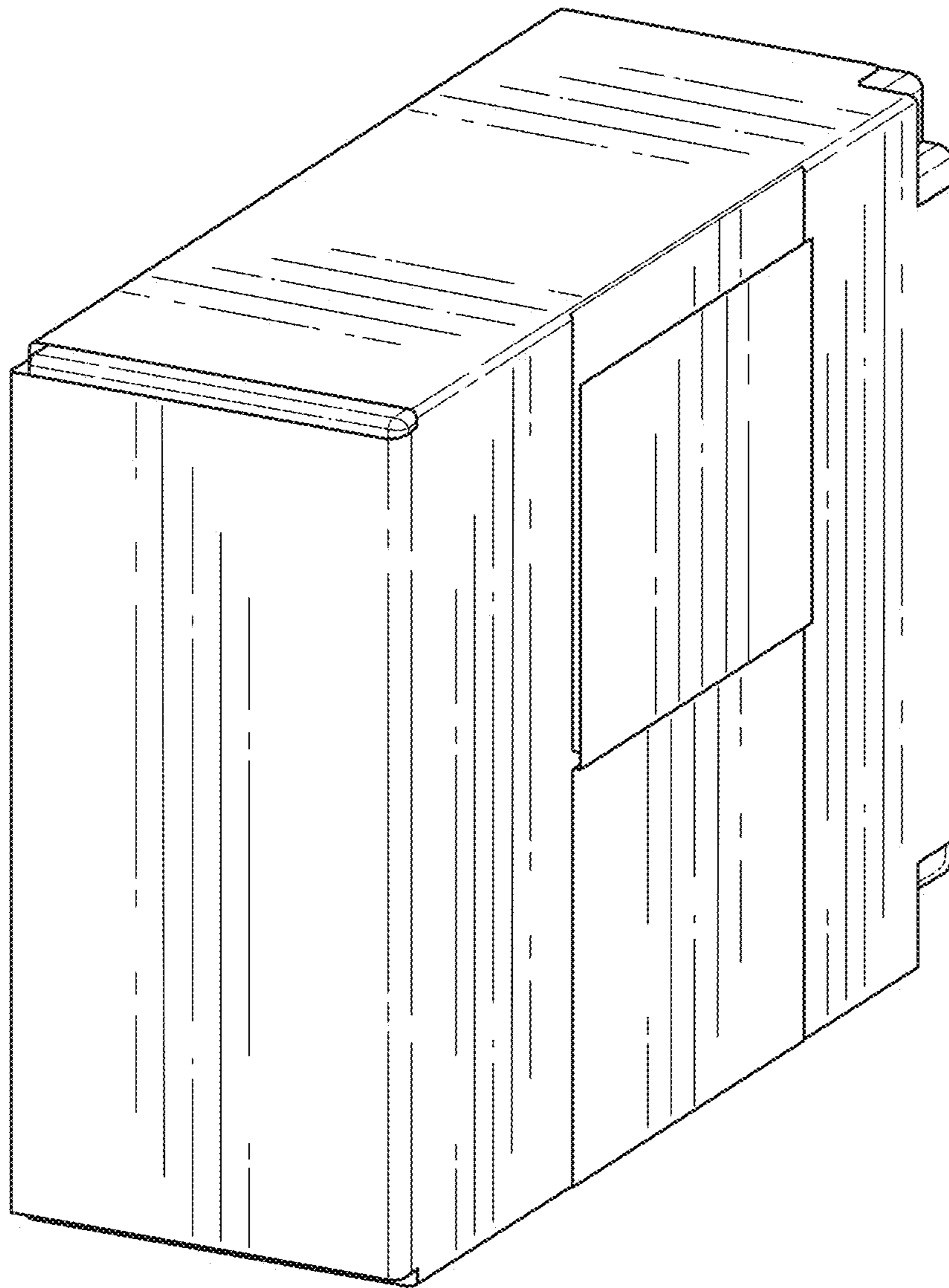


FIG. 3

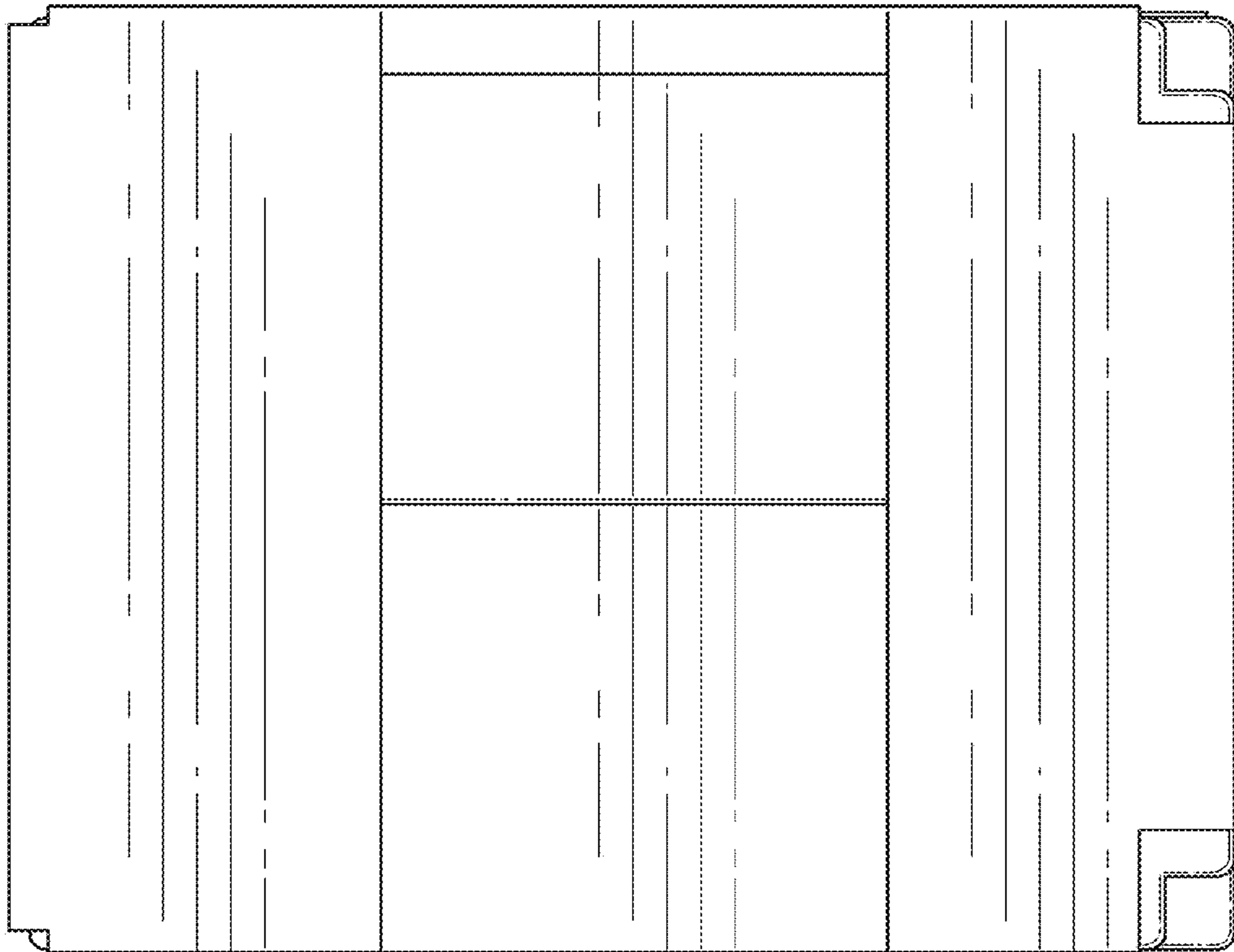


FIG. 4

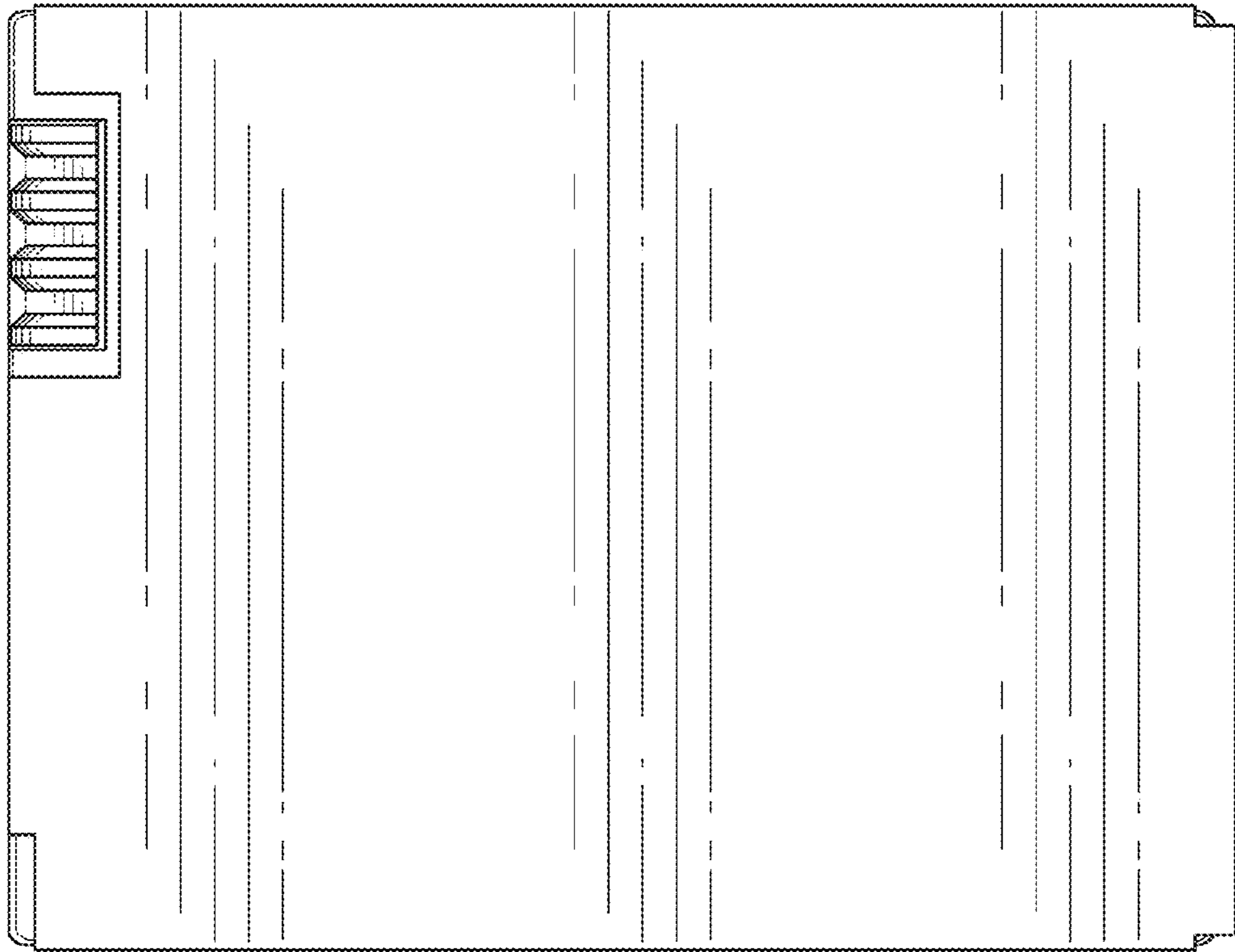


FIG. 5

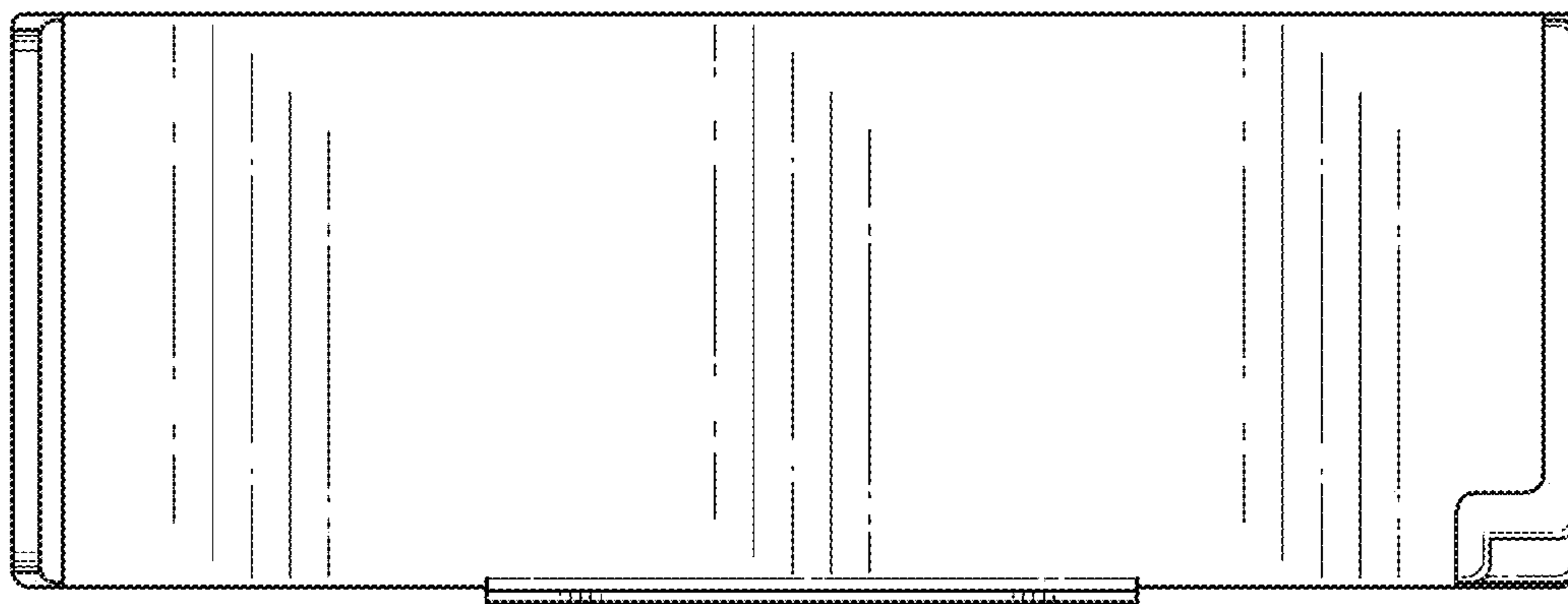


FIG. 6

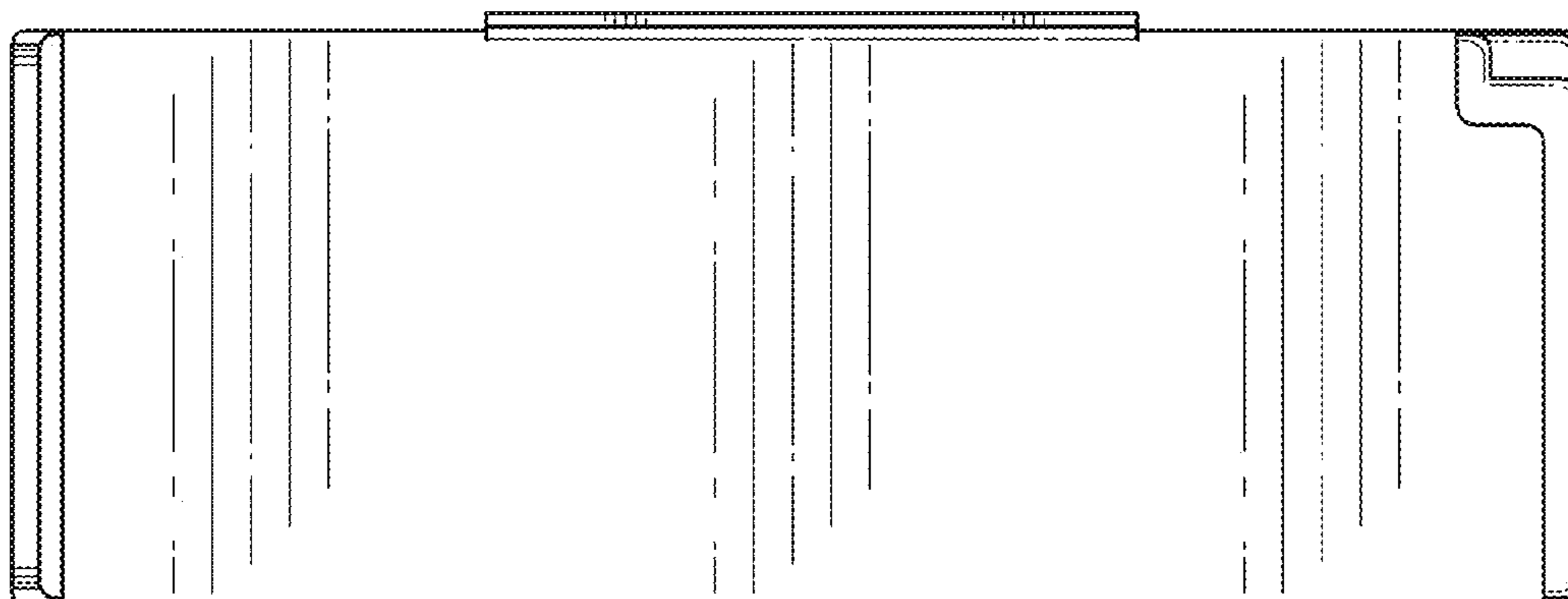


FIG. 7

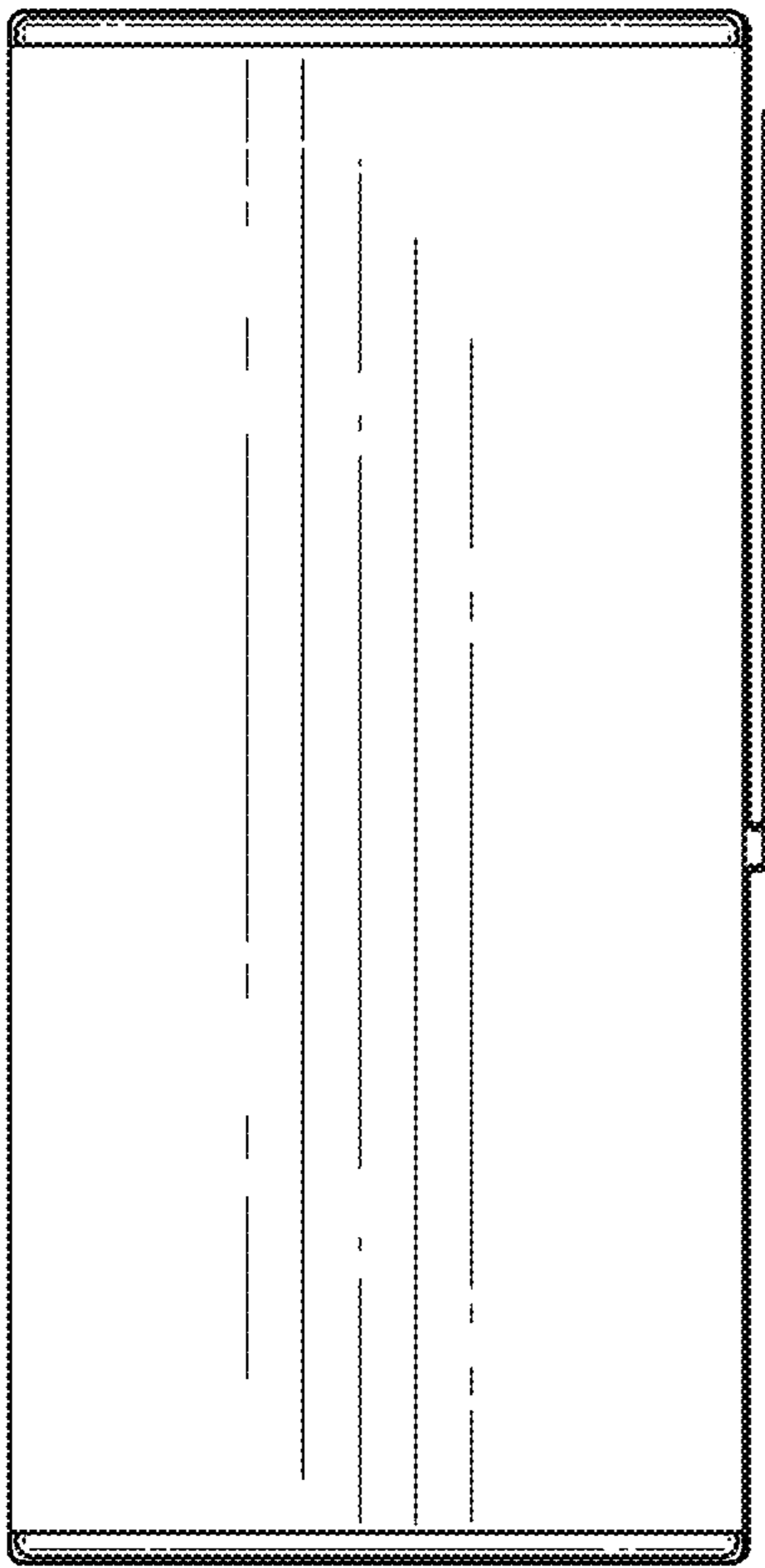


FIG. 8

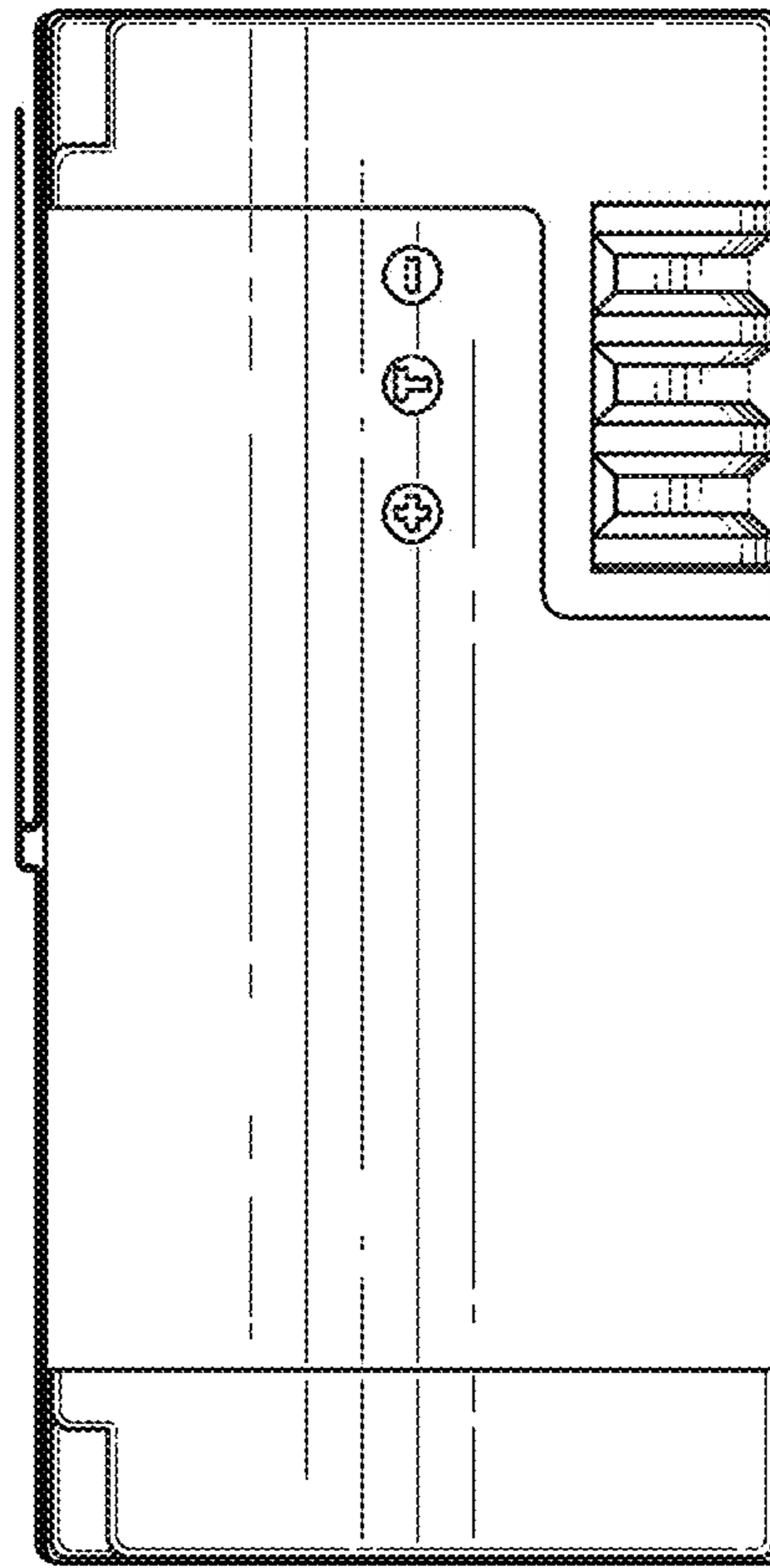


FIG. 9

UNITED STATES PATENT AND TRADEMARK OFFICE
CERTIFICATE OF CORRECTION

PATENT NO. : D682,778 S
APPLICATION NO. : 29/434205
DATED : May 21, 2013
INVENTOR(S) : Baumgartner et al.

Page 1 of 1

It is certified that error appears in the above-identified patent and that said Letters Patent is hereby corrected as shown below:

On the Title page, under item (72) Inventors, delete "David Christopher Northway," and insert
--David Christophe Northway--.

Signed and Sealed this
Eighth Day of November, 2016



Michelle K. Lee
Director of the United States Patent and Trademark Office