



US00D682777S

(12) **United States Design Patent**
Gupta et al.

(10) **Patent No.:** **US D682,777 S**

(45) **Date of Patent:** **** May 21, 2013**

(54) **BATTERY FOR ELECTRONIC EQUIPMENT**

(76) Inventors: **Sumeet Kumar Gupta**, Santa Monica, CA (US); **Joseph Bryant Carrillo**, Santa Monica, CA (US)

(**) Term: **14 Years**

(21) Appl. No.: **29/430,735**

(22) Filed: **Aug. 29, 2012**

(51) **LOC (9) Cl.** **13-02**

(52) **U.S. Cl.**
USPC **D13/103**

(58) **Field of Classification Search** D13/102–108,
D13/110, 118–121, 184, 199; 429/96–100,
429/163, 176
See application file for complete search history.

(56) **References Cited**

U.S. PATENT DOCUMENTS

D368,316 S *	3/1996	Jansson	D26/39
D383,115 S *	9/1997	Nagele et al.	D13/110
D422,962 S *	4/2000	Shevlin et al.	D13/103
D423,452 S *	4/2000	Fujisawa et al.	D13/110
D494,541 S *	8/2004	Hriscu et al.	D13/110
D533,831 S *	12/2006	Kim	D13/103

D604,254 S *	11/2009	Lanfear et al.	D13/162
D615,045 S *	5/2010	Lanfear et al.	D13/162
D639,736 S *	6/2011	Su	D13/110
D654,429 S *	2/2012	Li et al.	D13/103
D654,852 S *	2/2012	Hansen	D13/103
D661,249 S *	6/2012	Smith et al.	D13/110
D665,732 S *	8/2012	Saito et al.	D13/103

* cited by examiner

Primary Examiner — Rosemary K Tarcza

(74) *Attorney, Agent, or Firm* — QuickPatents; Kevin Prince

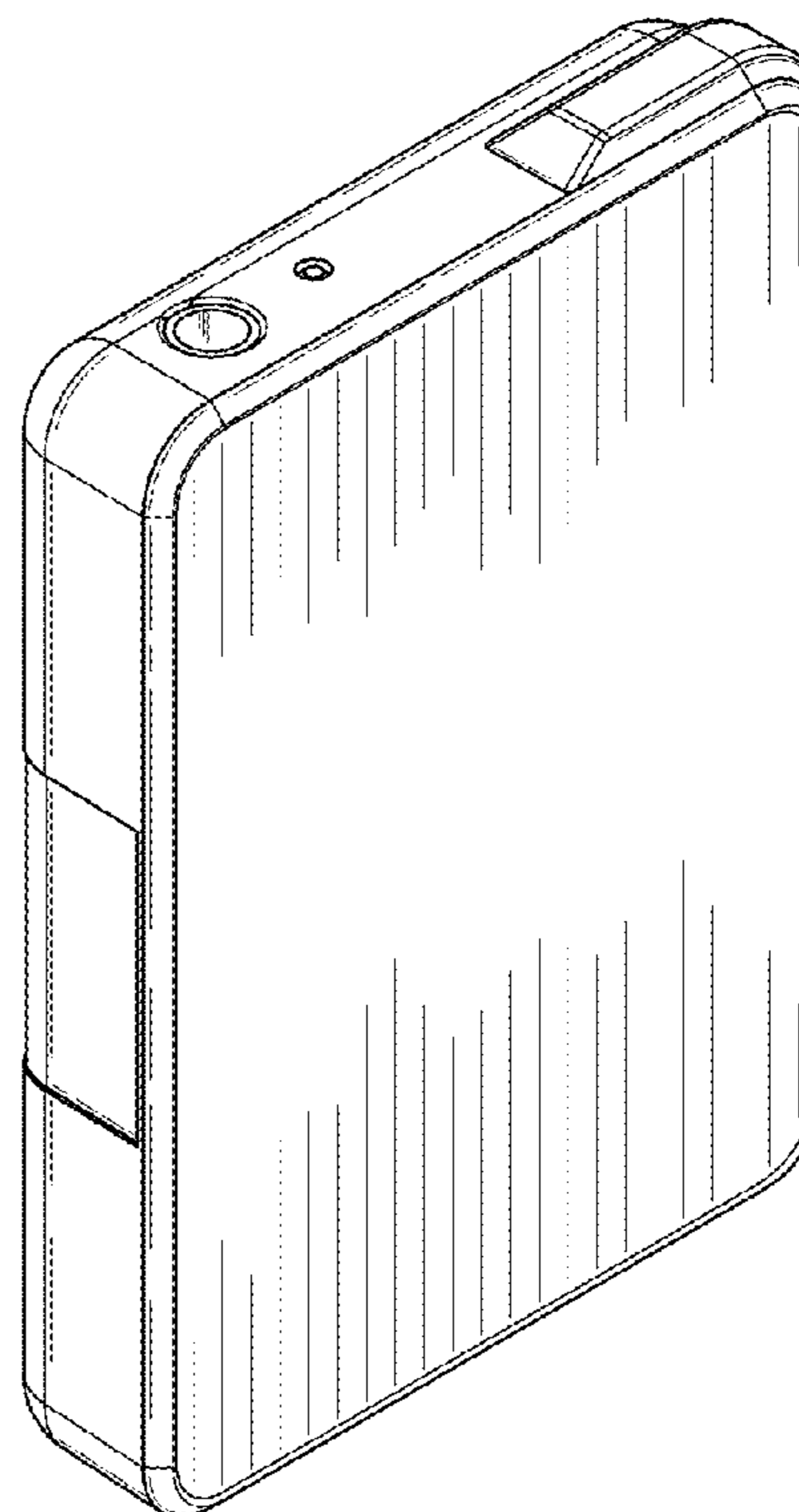
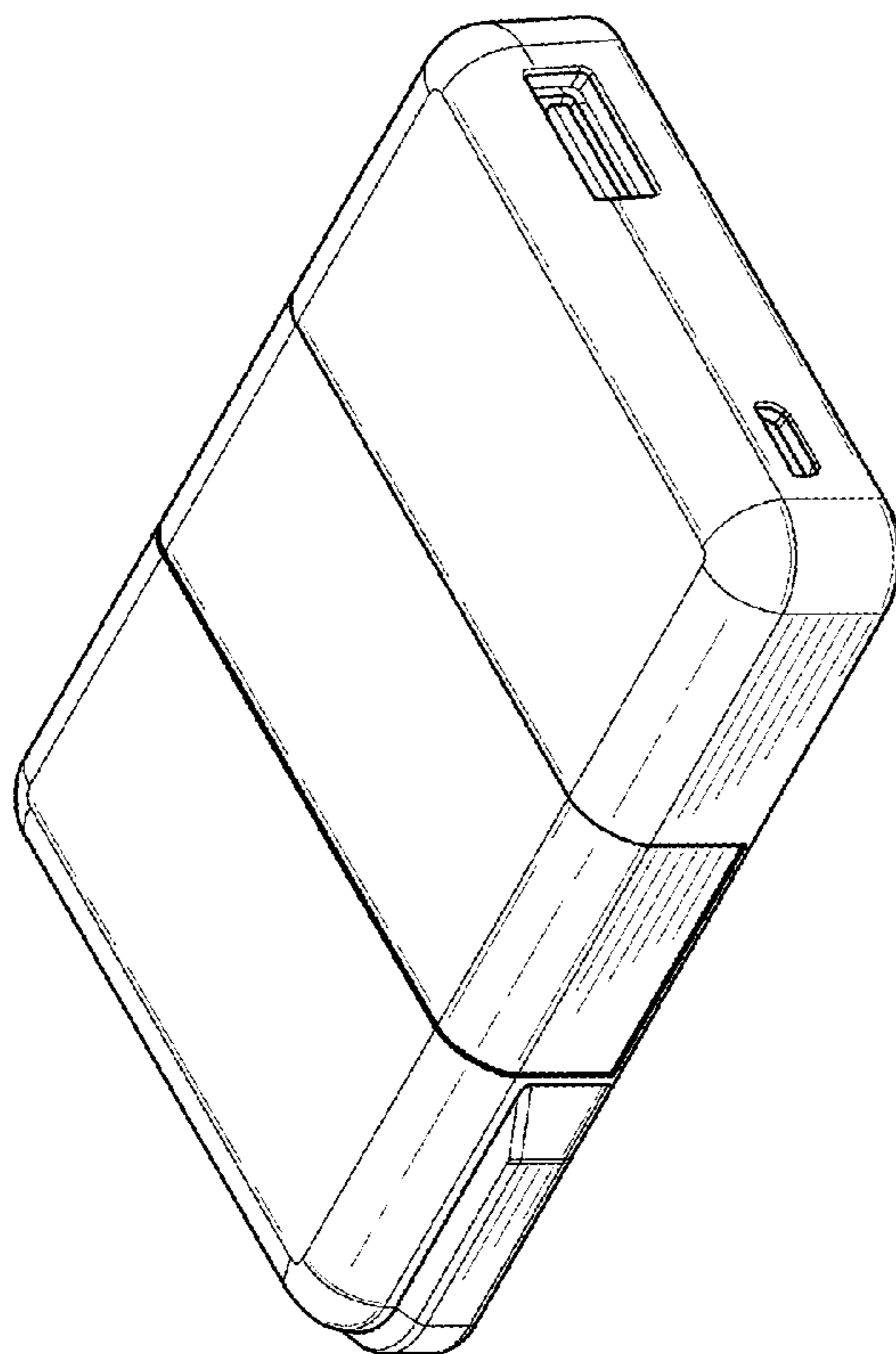
(57) **CLAIM**

We claim the ornamental design for a battery for electronic equipment, as shown and described.

DESCRIPTION

FIG. 1 is a rear perspective view of a battery for electronic equipment, showing our new design;
FIG. 2 is a front perspective view thereof;
FIG. 3 is a front elevational view thereof;
FIG. 4 is a rear elevational view thereof;
FIG. 5 is a right-side elevational view thereof;
FIG. 6 is a left-side elevational view thereof;
FIG. 7 is a top plan view thereof; and,
FIG. 8 is a bottom plan view thereof.

1 Claim, 3 Drawing Sheets



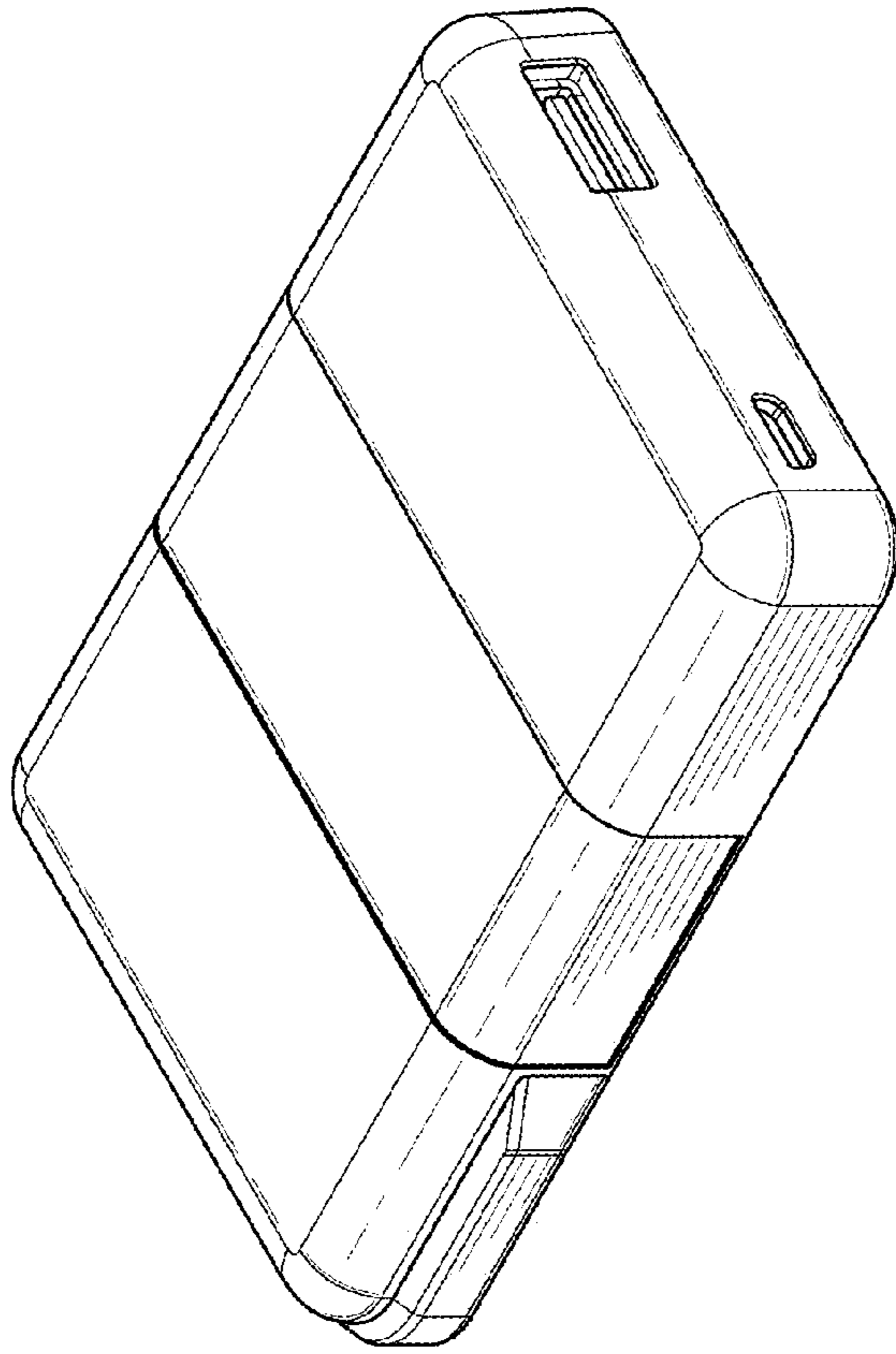


FIG. 1

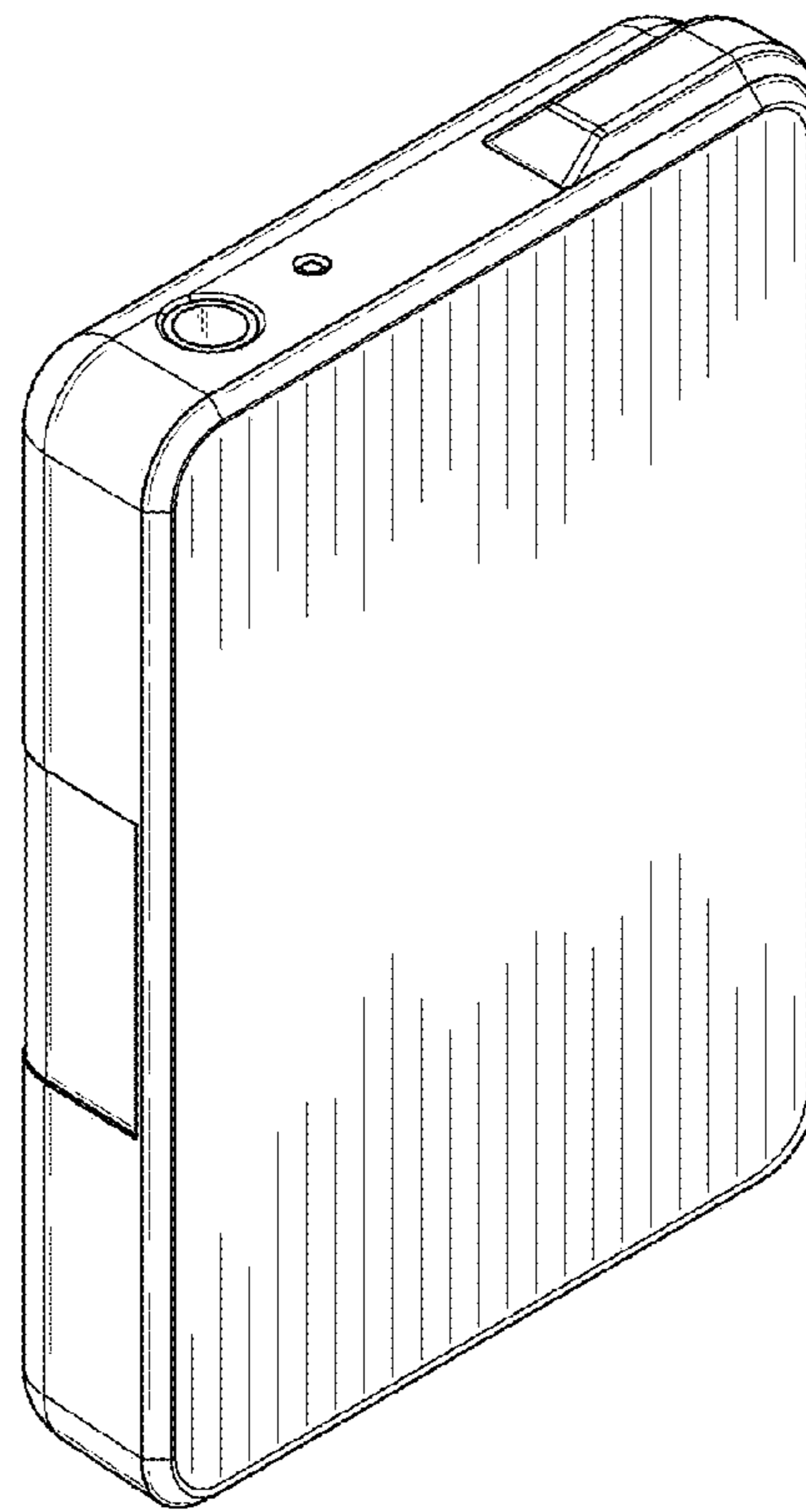


FIG. 2

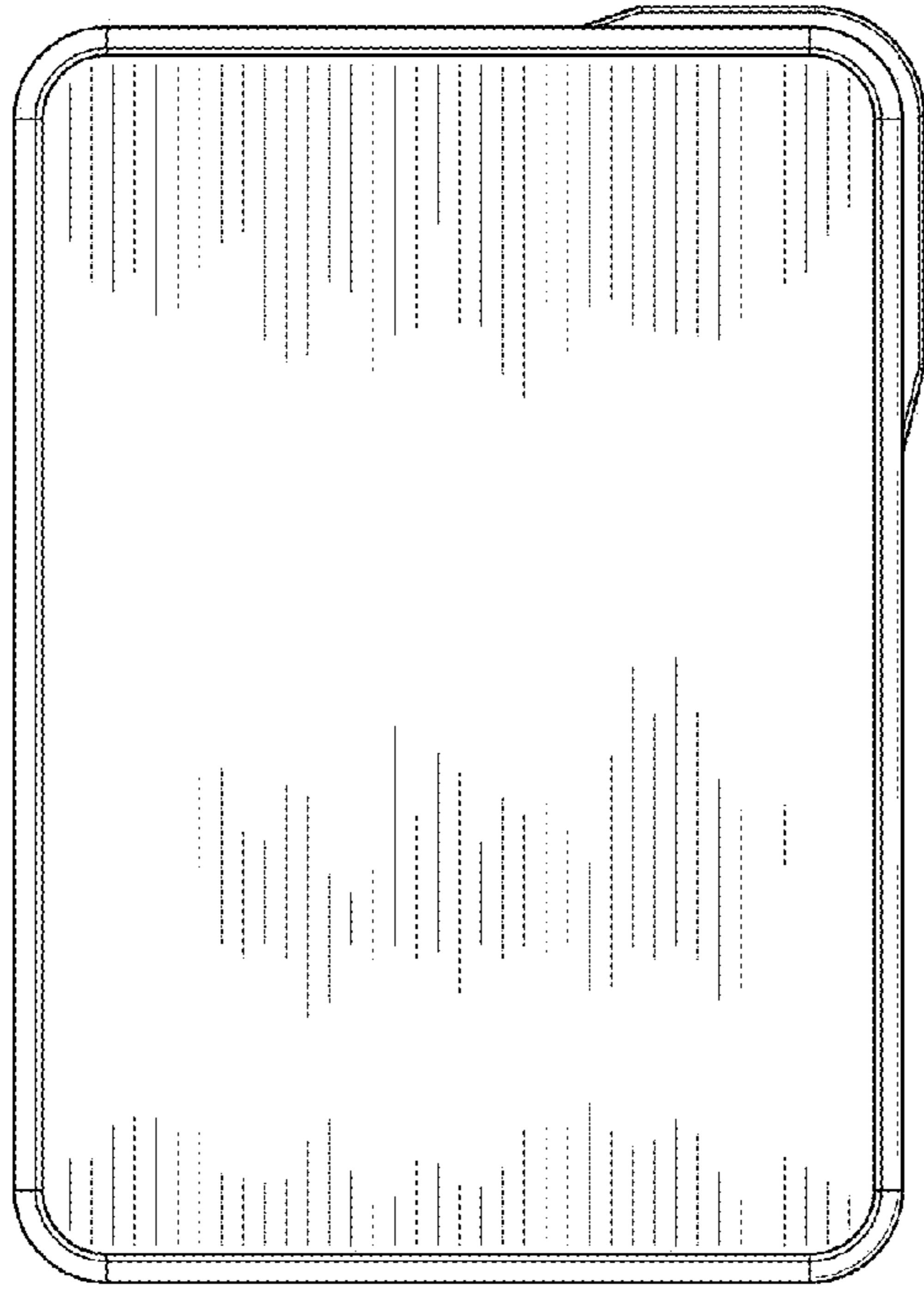


FIG. 3

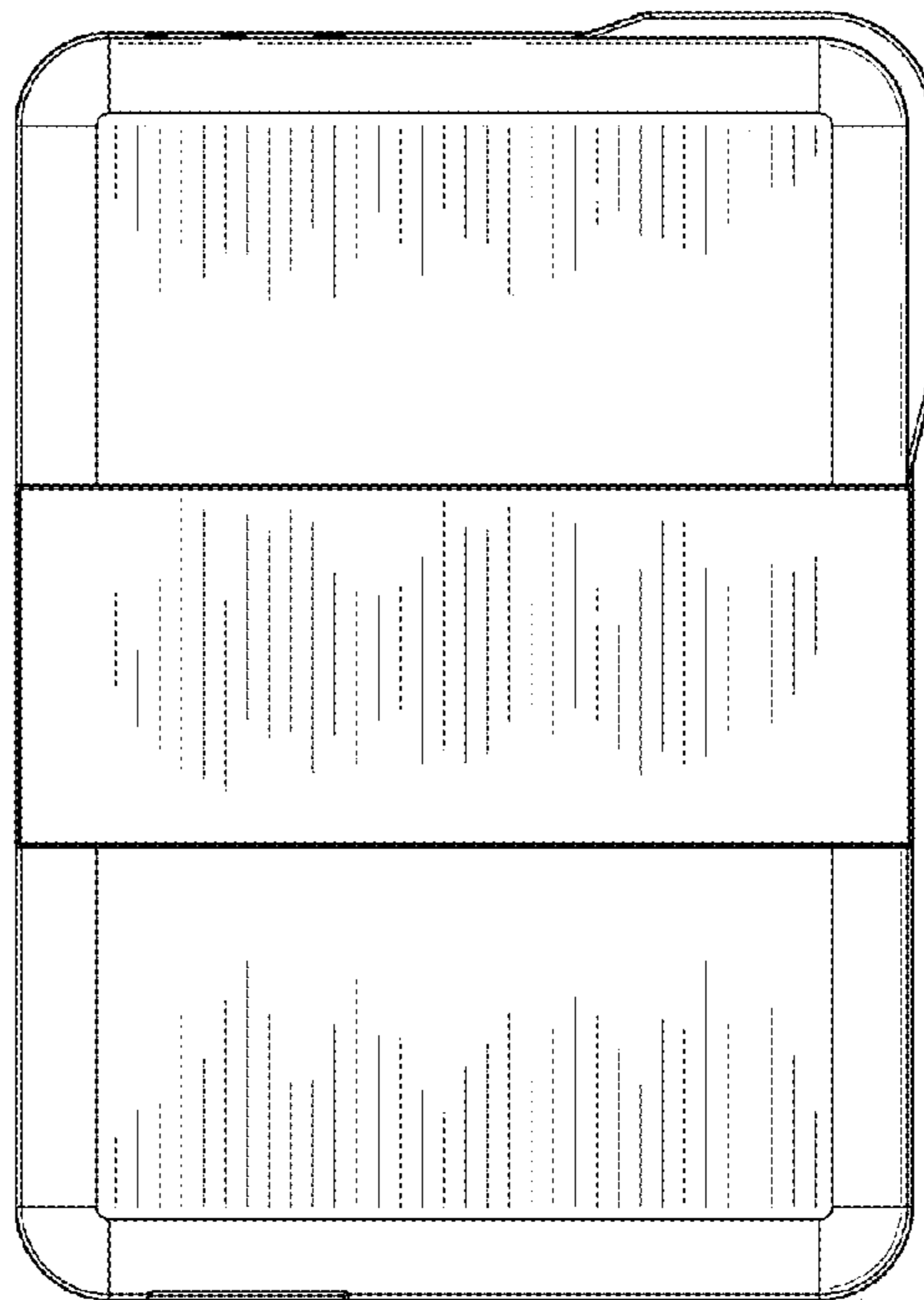


FIG. 4

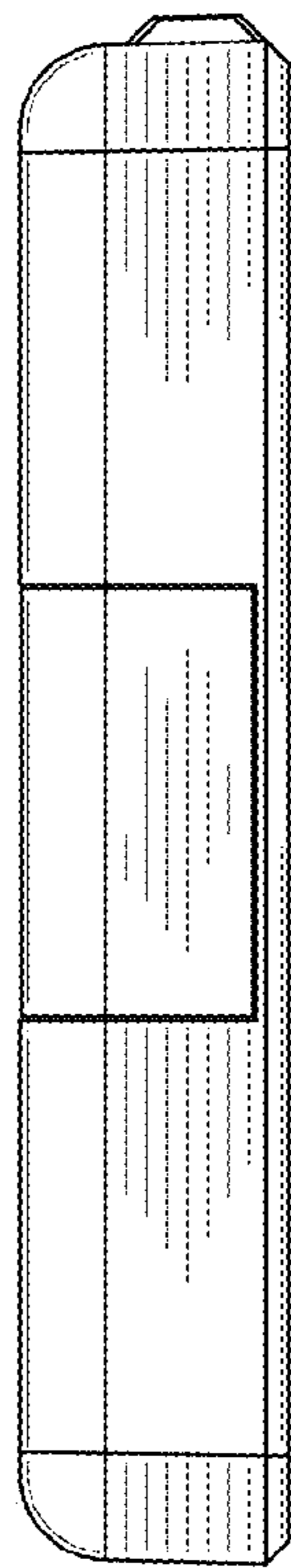


FIG. 5

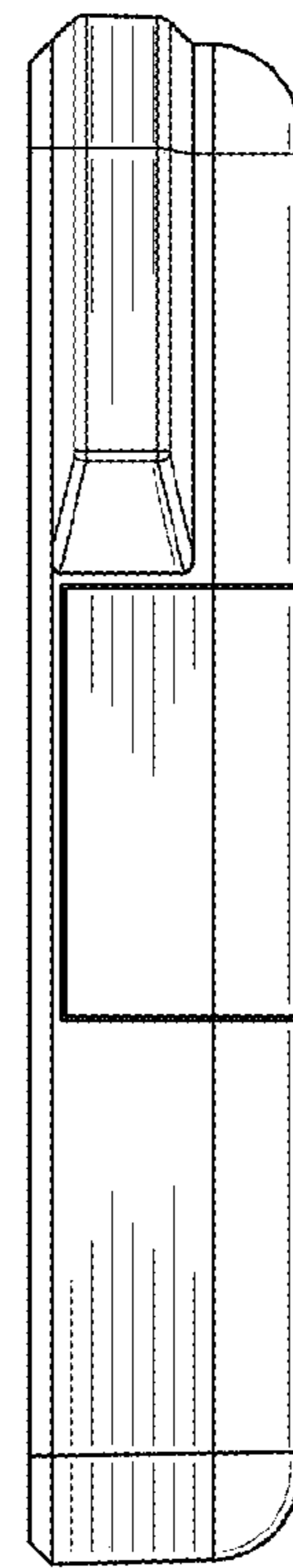


FIG. 6

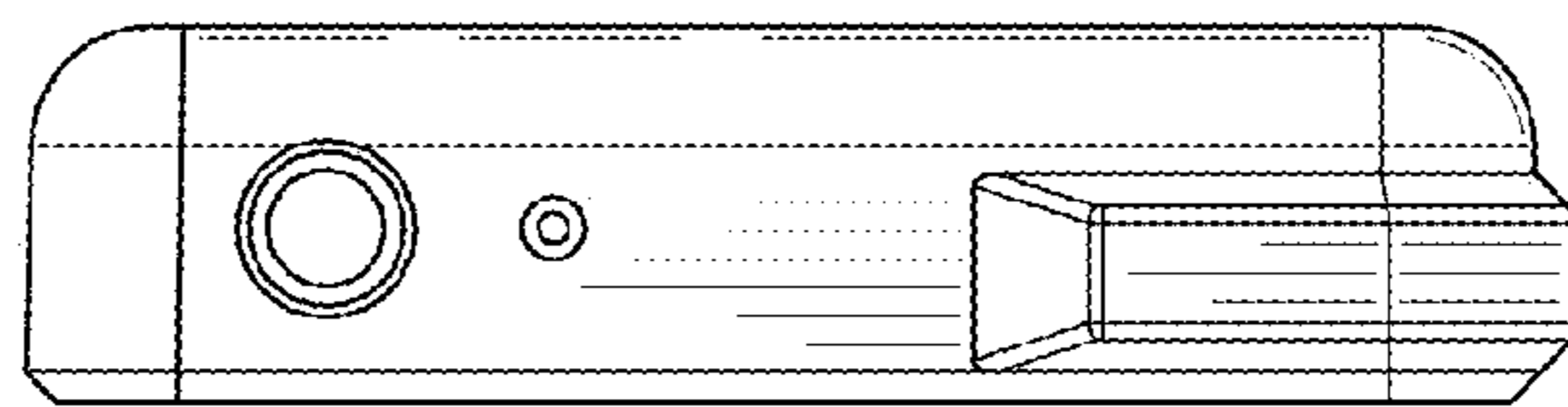


FIG. 7

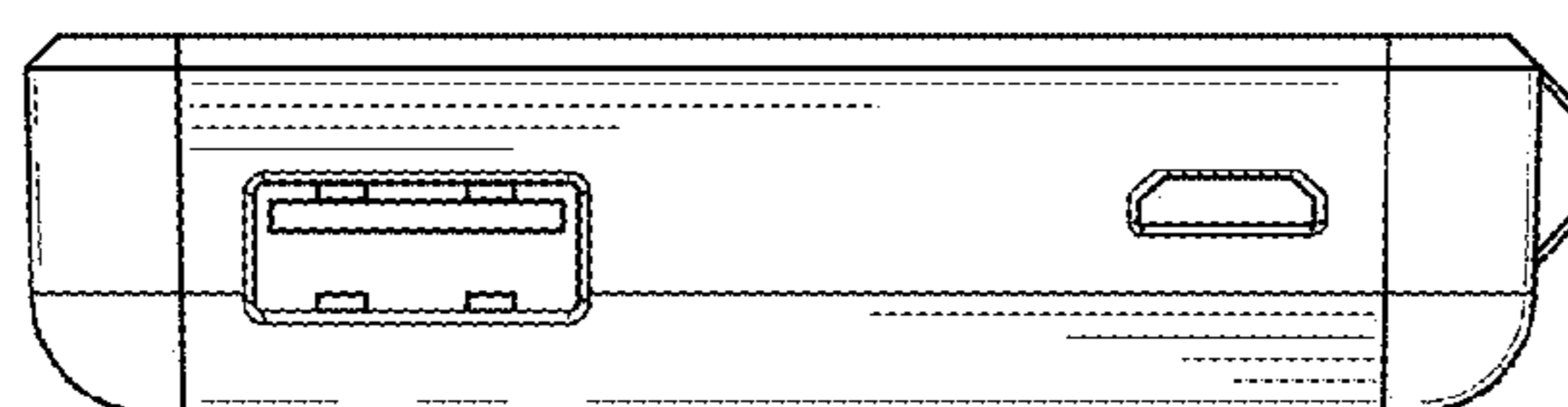


FIG. 8