



US00D682776S

(12) **United States Design Patent**
Miyazaki

(10) **Patent No.:** **US D682,776 S**

(45) **Date of Patent:** **** May 21, 2013**

(54) **TIRE**

(75) Inventor: **Tetsuji Miyazaki**, Osaka (JP)

(73) Assignee: **Toyo Tire & Rubber Co., Ltd.**, Osaka (JP)

(**) Term: **14 Years**

(21) Appl. No.: **29/429,333**

(22) Filed: **Aug. 9, 2012**

(30) **Foreign Application Priority Data**

May 21, 2012 (JP) 2012-011789

(51) **LOC (9) Cl.** **12-15**

(52) **U.S. Cl.**
USPC **D12/585**

(58) **Field of Classification Search** D12/546-550,
D12/568-603, 900-901; 152/209.1-209.9,
152/209.11-209.19, 209.21-209.28, 455
See application file for complete search history.

(56) **References Cited**

U.S. PATENT DOCUMENTS

D323,801 S *	2/1992	Kajita	D12/585
D387,711 S *	12/1997	Shirai et al.	D12/585
D400,134 S *	10/1998	Sato et al.	D12/585
D404,694 S *	1/1999	Himuro et al.	D12/585
D430,830 S *	9/2000	Guspodin et al.	D12/585
D436,331 S *	1/2001	Hanya	D12/585
D470,102 S *	2/2003	Shirouzu	D12/585
D481,991 S *	11/2003	Graas et al.	D12/585
D547,717 S *	7/2007	Yamane et al.	D12/585
D559,774 S *	1/2008	Kurata	D12/585
D581,350 S *	11/2008	Froger	D12/585
D596,110 S *	7/2009	Smith	D12/585

D613,237 S *	4/2010	Mukai	D12/585
D645,808 S *	9/2011	Takemoto	D12/585
D646,216 S *	10/2011	Endou et al.	D12/585
D648,263 S *	11/2011	Takei	D12/585
D648,670 S *	11/2011	Yonetsu	D12/585

FOREIGN PATENT DOCUMENTS

JP	1003454	2/1998
JP	D1383453	3/2010
JP	D1407005	2/2011

* cited by examiner

Primary Examiner — Stacia Cadmus

(74) *Attorney, Agent, or Firm* — Sterne, Kessler, Goldstein & Fox PLLC

(57) **CLAIM**

The ornamental design for a tire, as shown and described.

DESCRIPTION

FIG. 1 is a perspective view of a tire showing my new design; FIG. 2 is a front view thereof, for which the rear view is the same;

FIG. 3 is a top plan view thereof, for which the bottom plan view is the same;

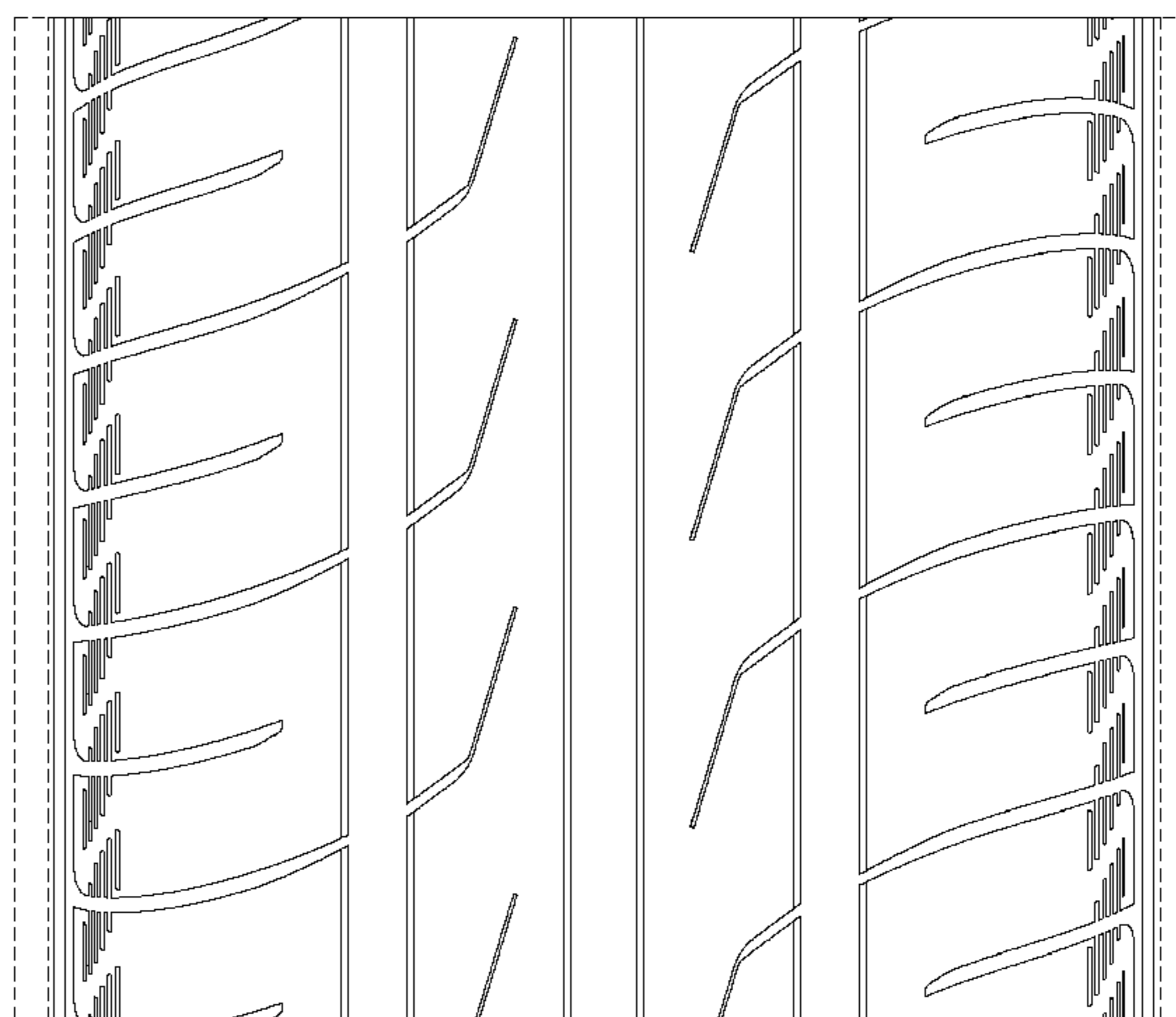
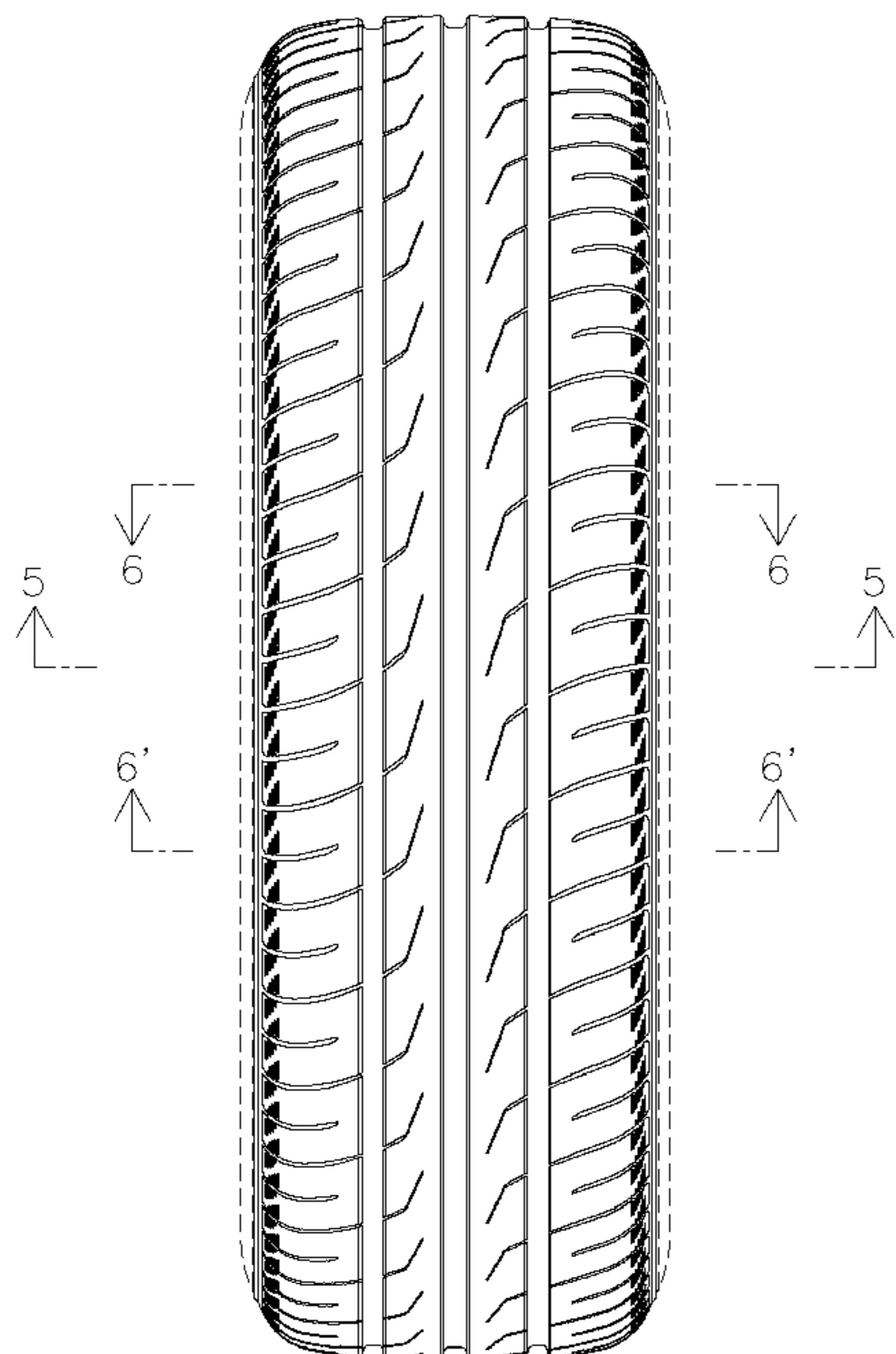
FIG. 4 is a right side view thereof, for which the left side view is the same;

FIG. 5 is an enlarged cross-sectional view taken along line 5-5 in FIG. 2 and line 5'-5' in FIG. 4; and,

FIG. 6 is an enlarged view taken along lines 6-6 and 6'-6' in FIG. 2.

In the drawings, the broken lines showing portions of the sidewall and inner bead depict environmental subject matter that forms no part of the claimed design.

1 Claim, 6 Drawing Sheets



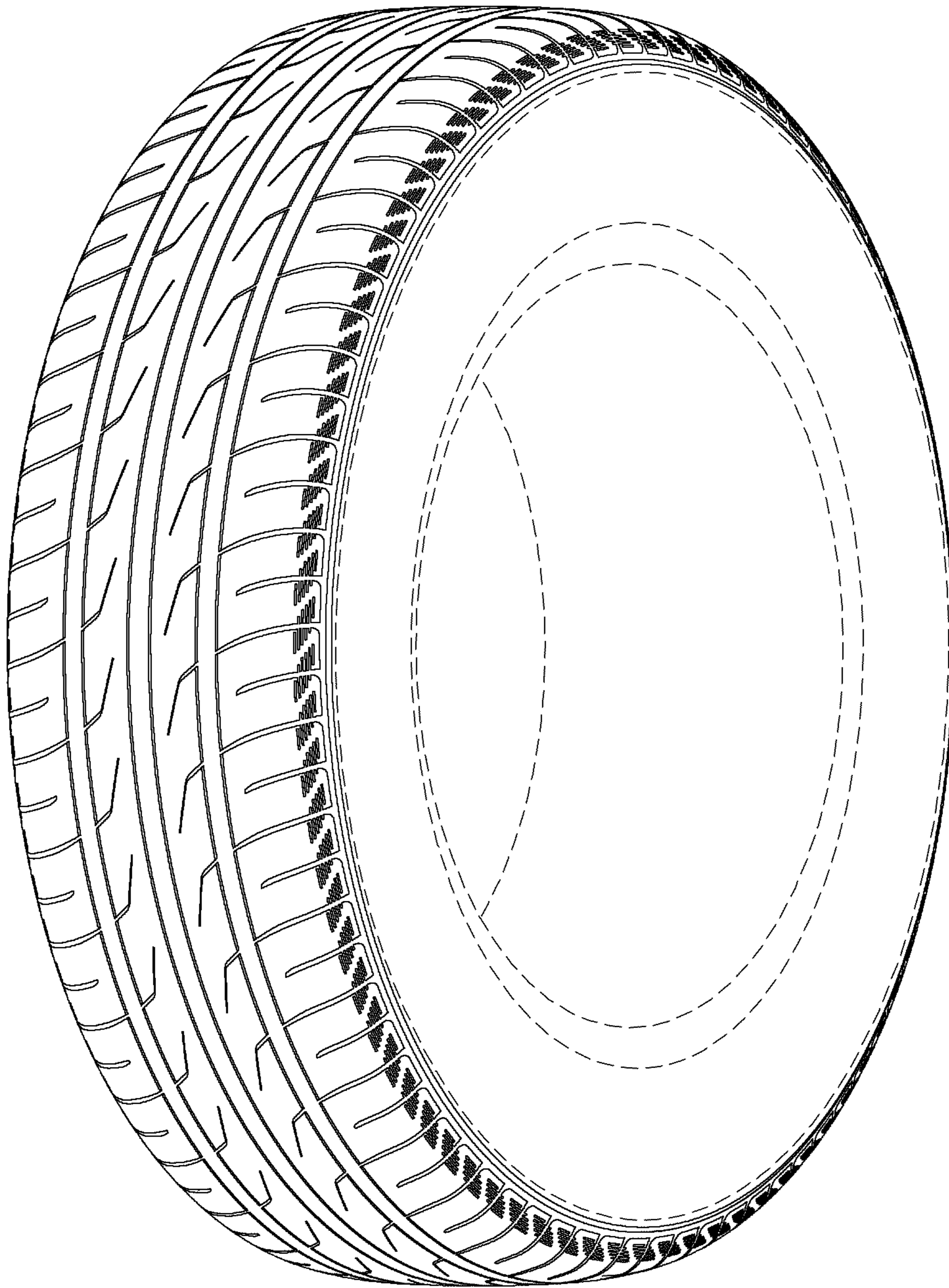


FIG. 1

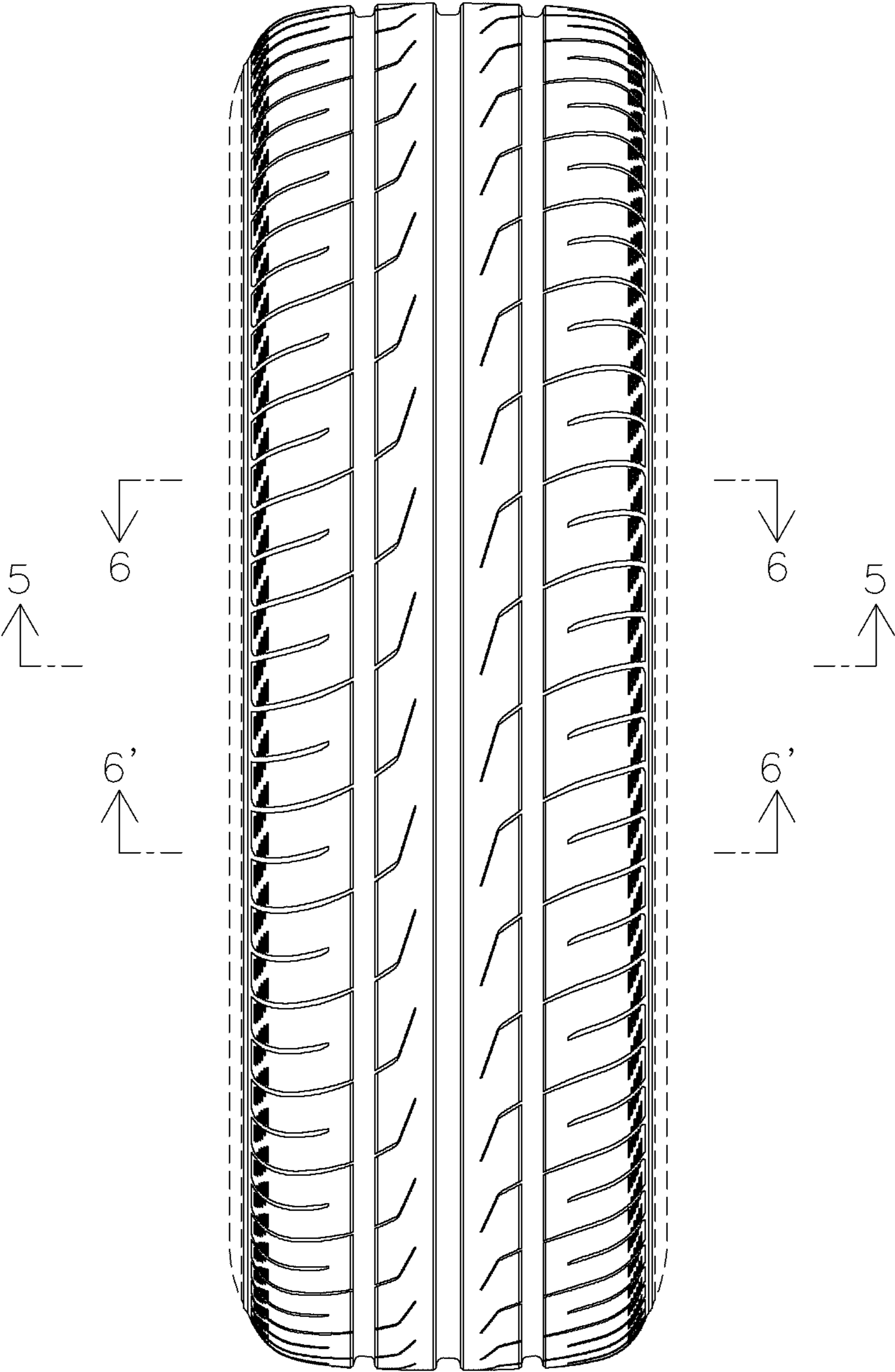


FIG. 2

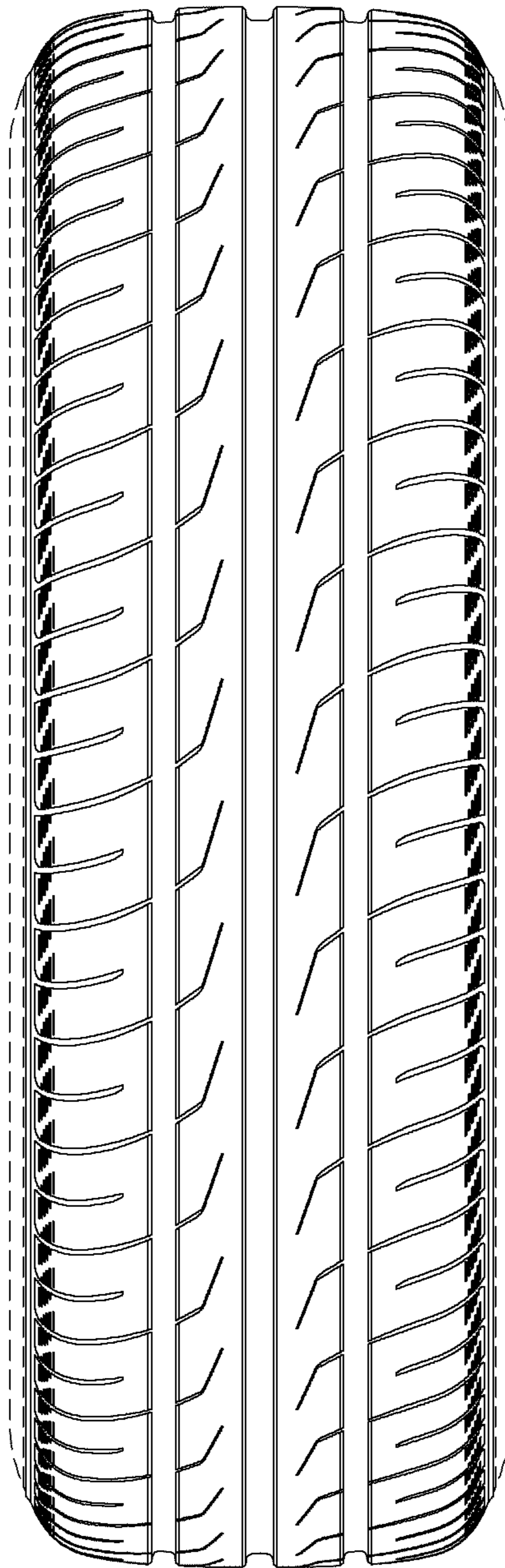


FIG. 3

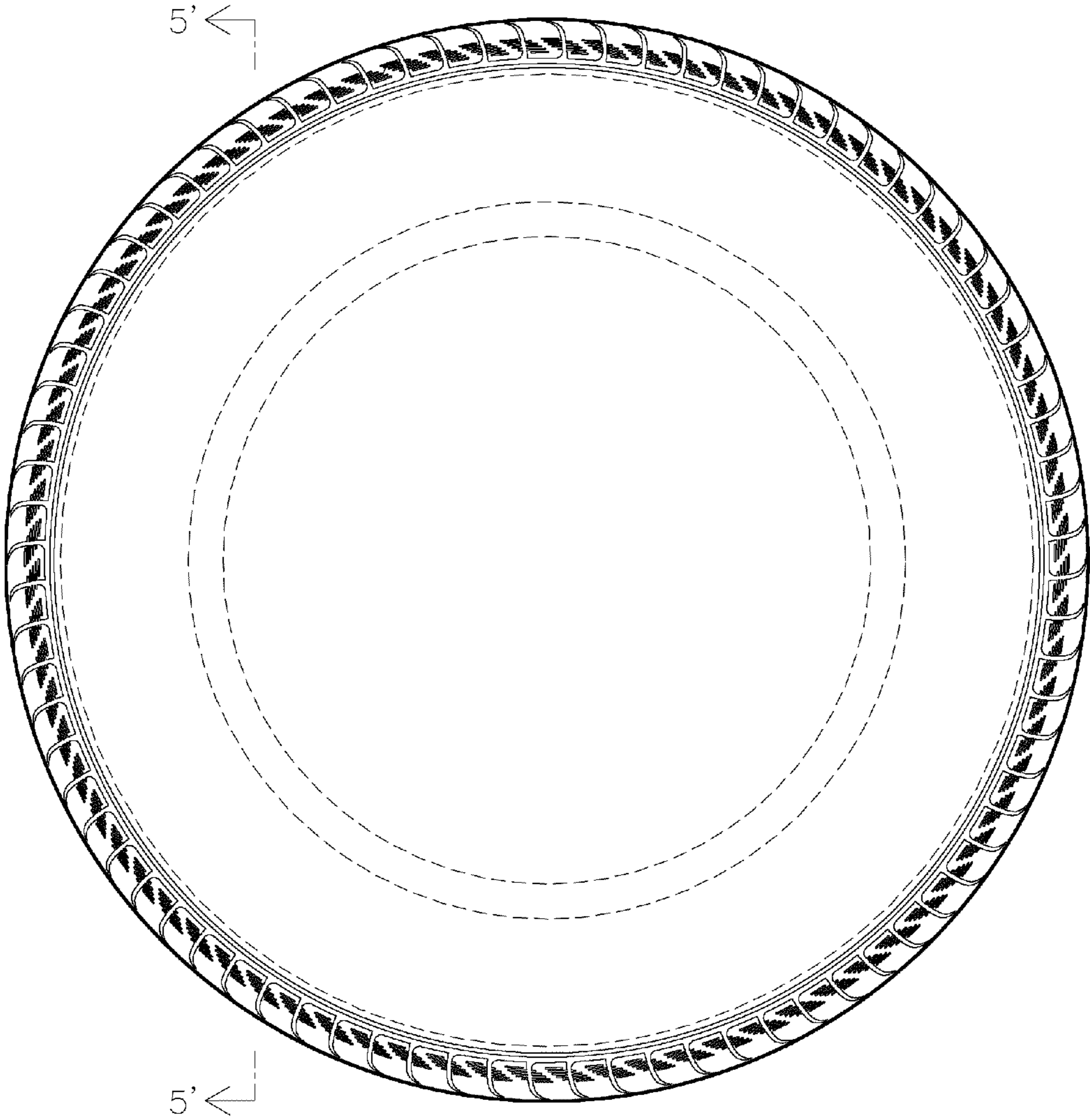


FIG. 4

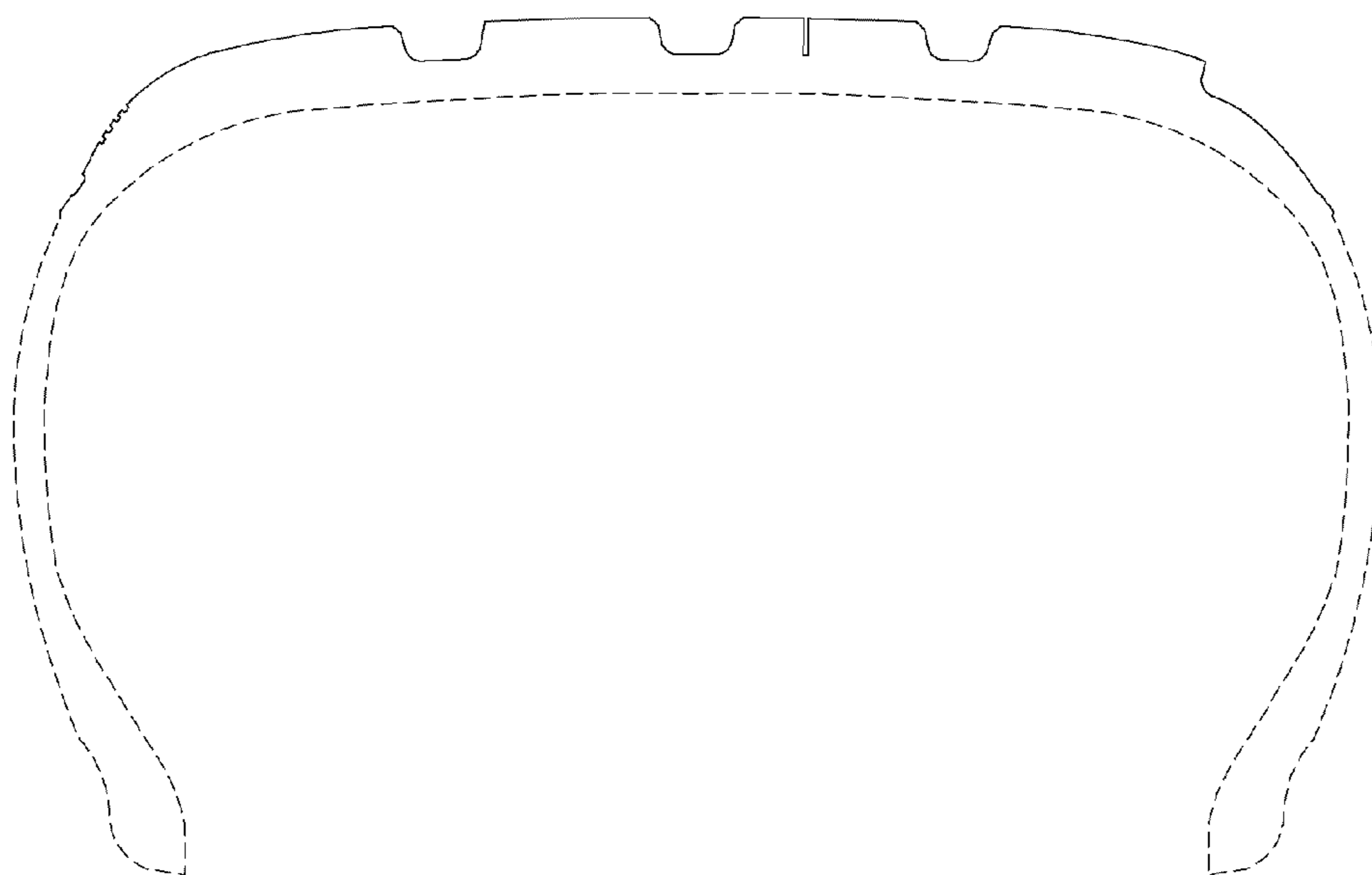


FIG. 5

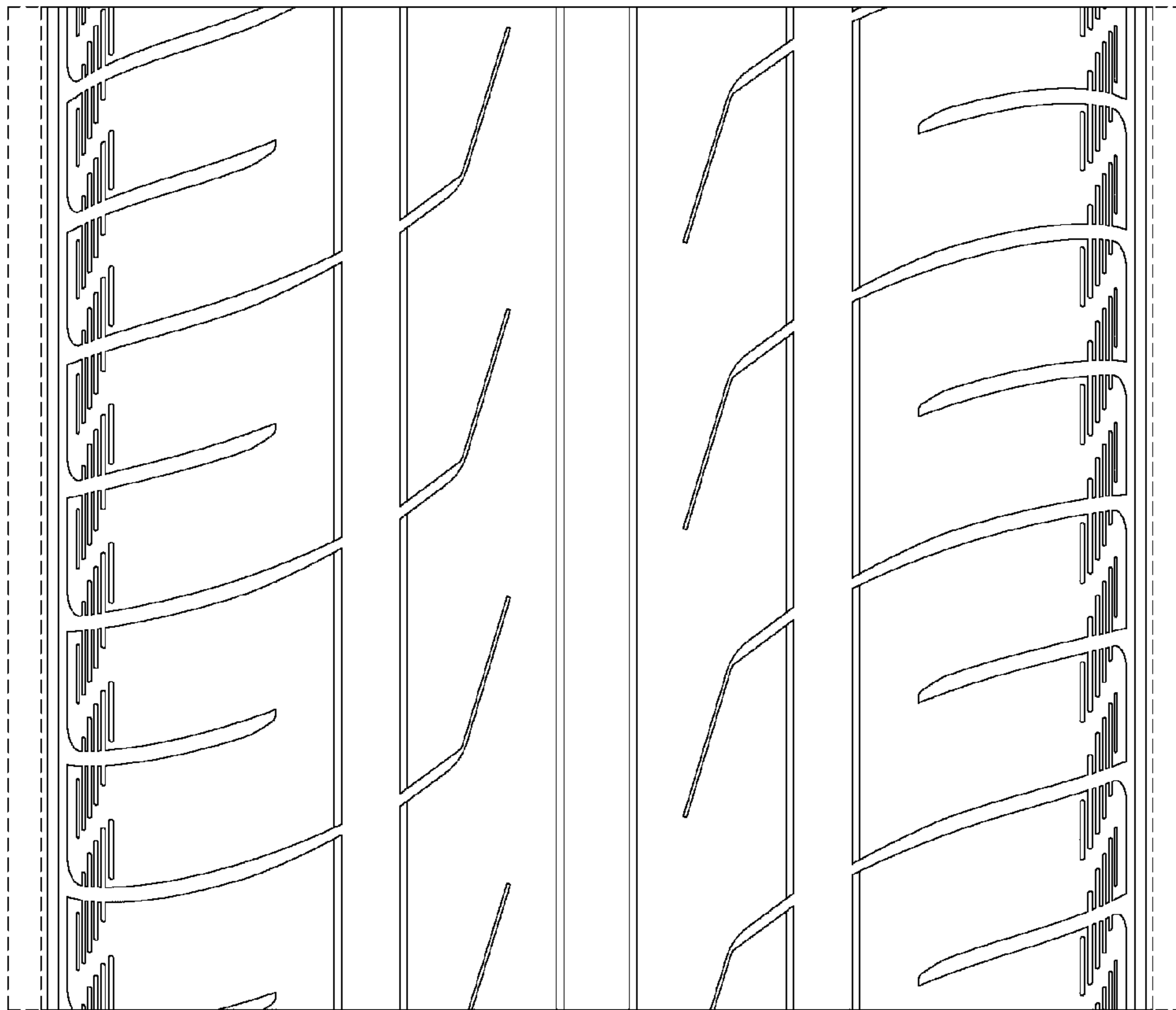


FIG. 6