



US00D682773S

(12) **United States Design Patent**
Kuwano

(10) **Patent No.:** **US D682,773 S**

(45) **Date of Patent:** **** May 21, 2013**

(54) **TIRE**

(75) Inventor: **Shingo Kuwano**, Osaka (JP)

(73) Assignee: **Toyo Tire & Rubber Co., Ltd.**, Osaka (JP)

(**) Term: **14 Years**

(21) Appl. No.: **29/408,859**

(22) Filed: **Dec. 16, 2011**

(30) **Foreign Application Priority Data**

Oct. 18, 2011 (JP) 2011-023863

(51) **LOC (9) Cl.** **12-15**

(52) **U.S. Cl.**
USPC **D12/523**

(58) **Field of Classification Search** D12/505-532;
152/209.1-209.28

See application file for complete search history.

(56) **References Cited**

U.S. PATENT DOCUMENTS

D372,891 S *	8/1996	McKisson	D12/528
D386,134 S *	11/1997	Cagneaux et al.	D12/521
D403,628 S *	1/1999	Muhlhoff et al.	D12/532
D593,931 S	6/2009	Fontaine et al.		
D597,926 S *	8/2009	Takahashi	D12/519
D647,458 S *	10/2011	Bauer et al.	D12/532

FOREIGN PATENT DOCUMENTS

JP D 1367729 8/2009

* cited by examiner

Primary Examiner — George D Kirschbaum

(74) *Attorney, Agent, or Firm* — Sterne, Kessler, Goldstein & Fox PLLC

(57) **CLAIM**

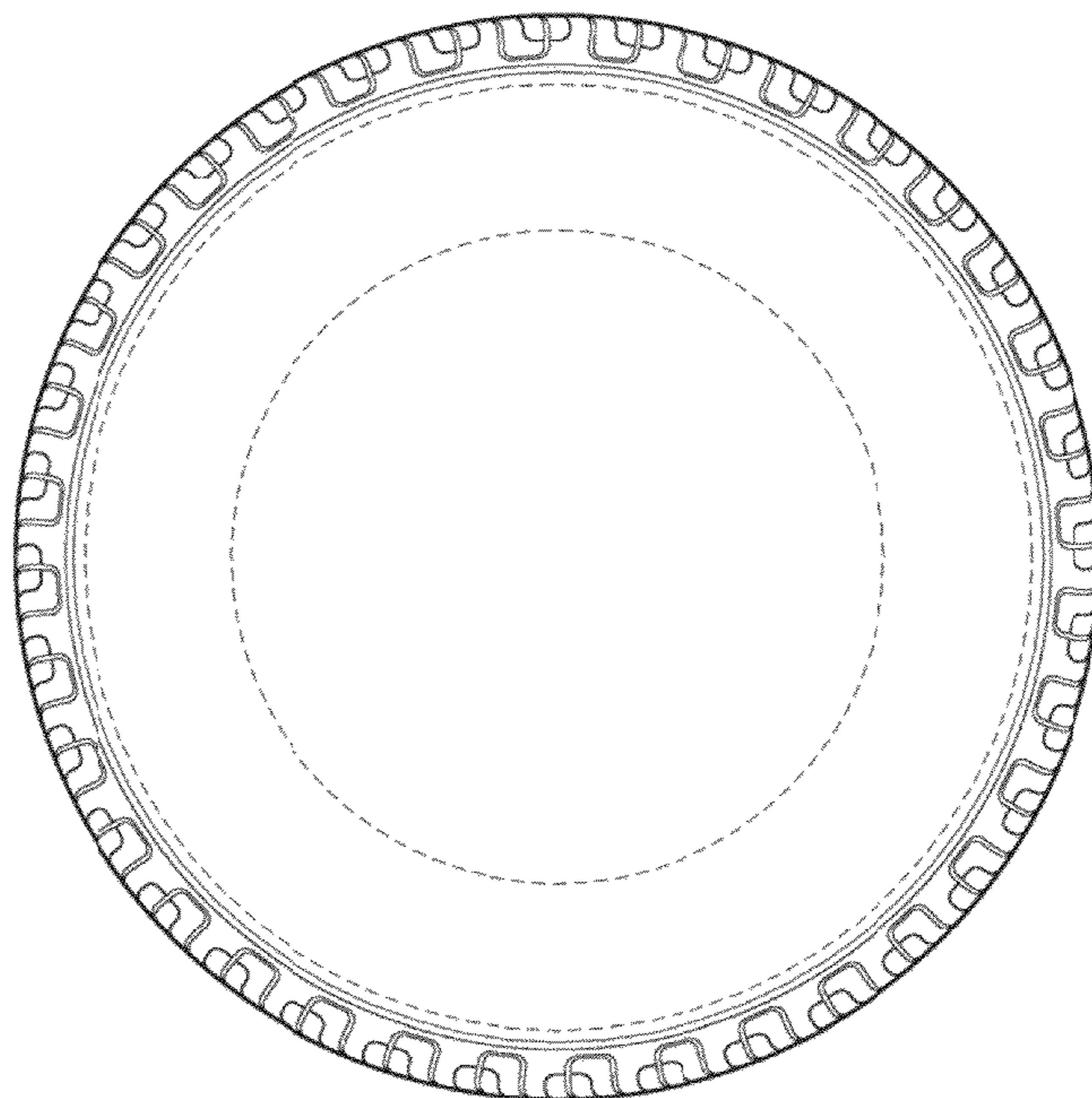
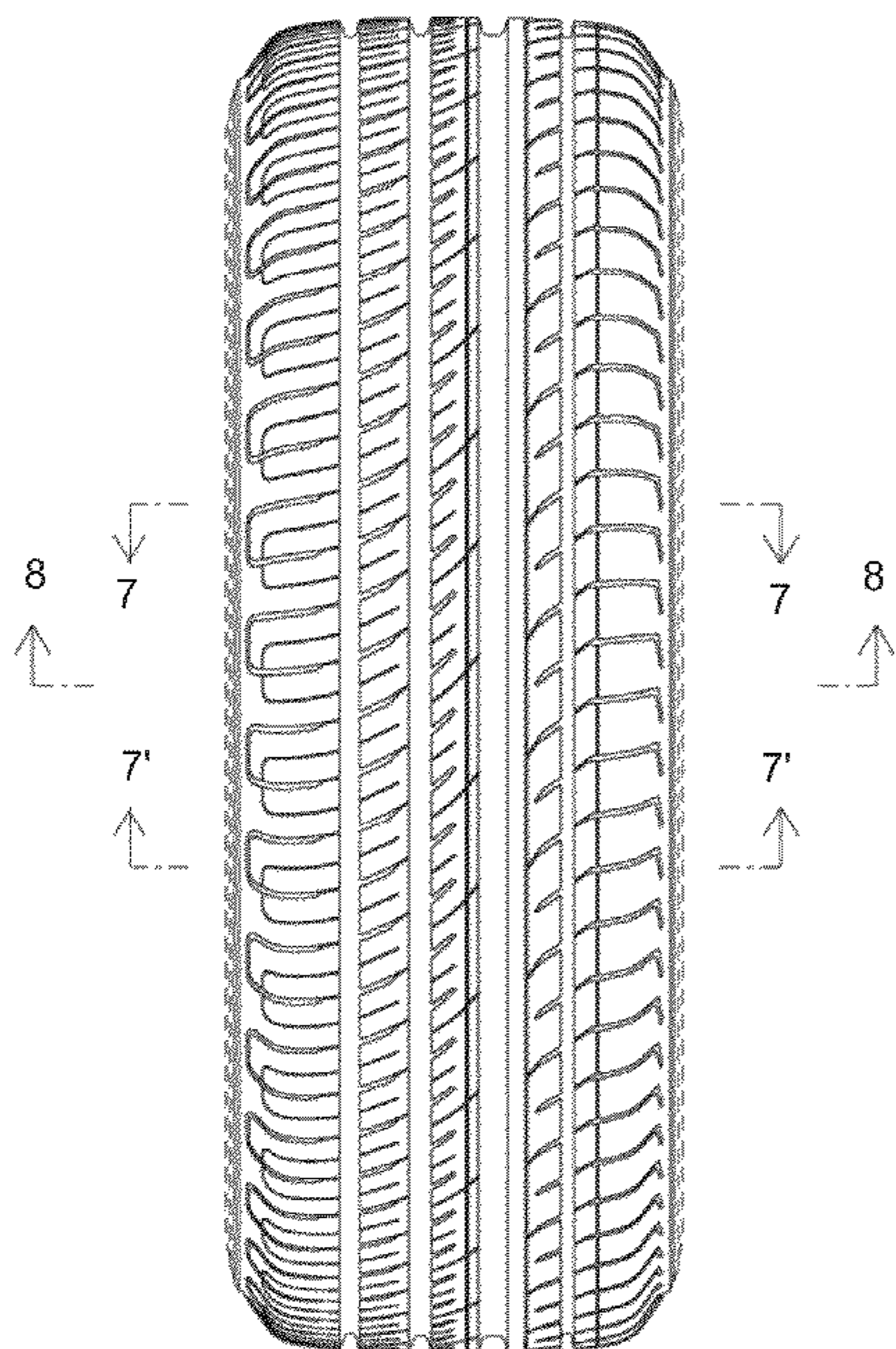
The ornamental design for a tire, as shown and described.

DESCRIPTION

FIG. 1 is a perspective view of a tire showing my new design;
 FIG. 2 is a front view thereof;
 FIG. 3 is a rear view thereof;
 FIG. 4 is a top plan view thereof, for which the bottom plan view is the same;
 FIG. 5 is a right side view thereof;
 FIG. 6 is a left side view thereof;
 FIG. 7 is an enlarged view taken along lines 7-7 and 7'-7' in FIG. 2; and,
 FIG. 8 is an enlarged cross-sectional view taken along line 8-8 in FIG. 2 and line 8'-8' in FIG. 5.

In the drawings, the broken lines defining portions of the sidewall and inner bead depict environmental subject matter that forms no part of the claimed design.

1 Claim, 8 Drawing Sheets



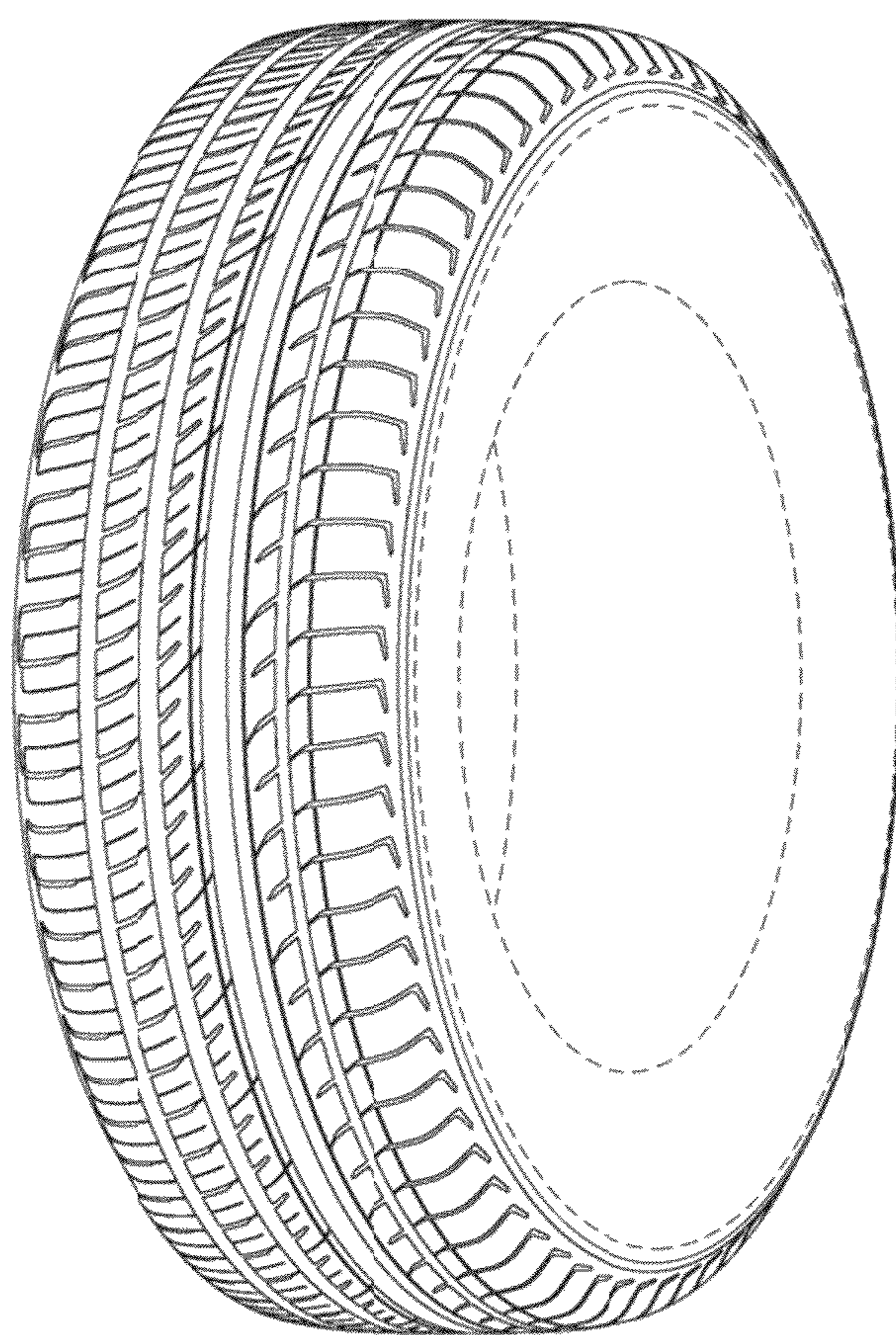


FIG. 1

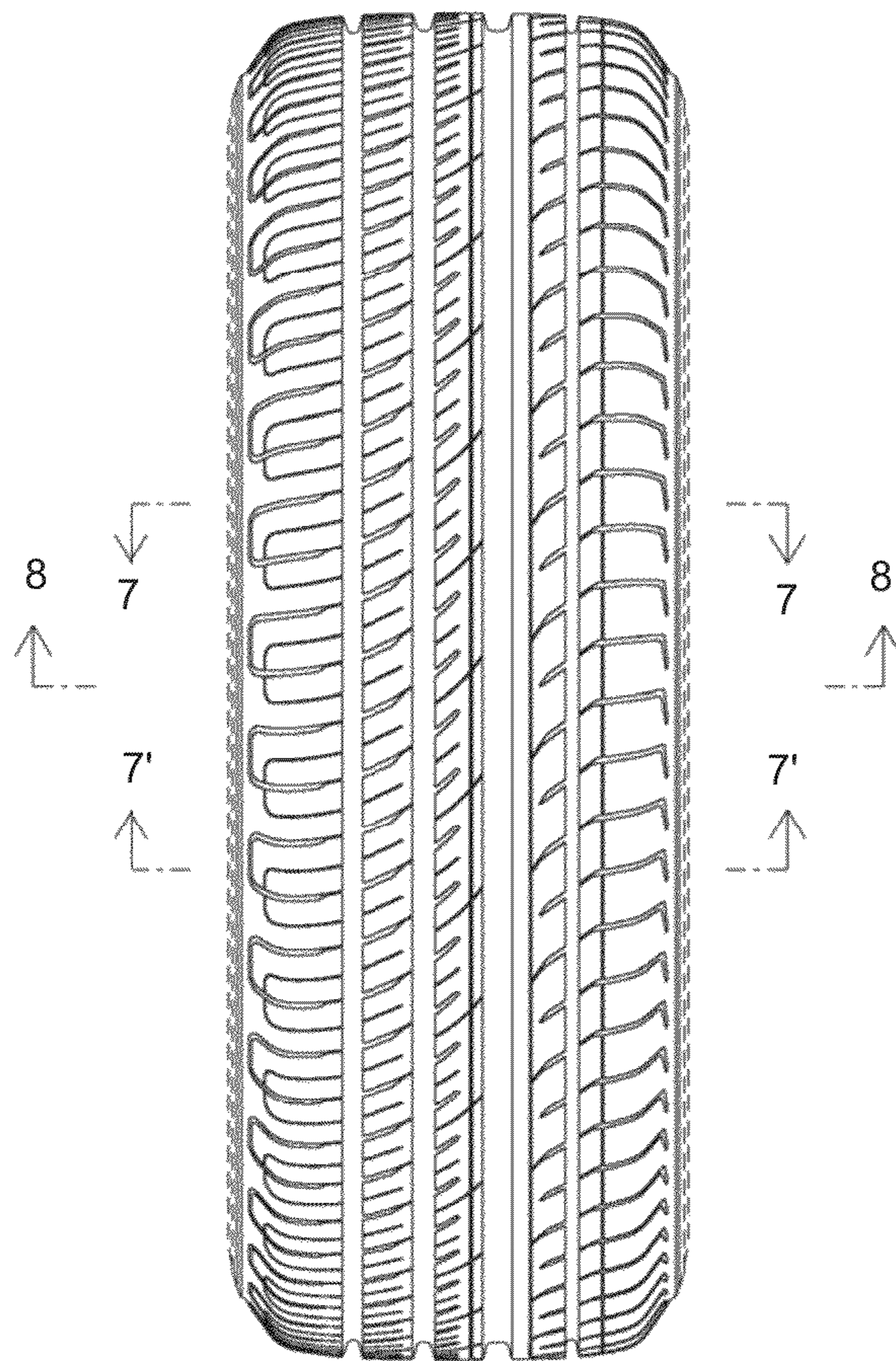


FIG. 2

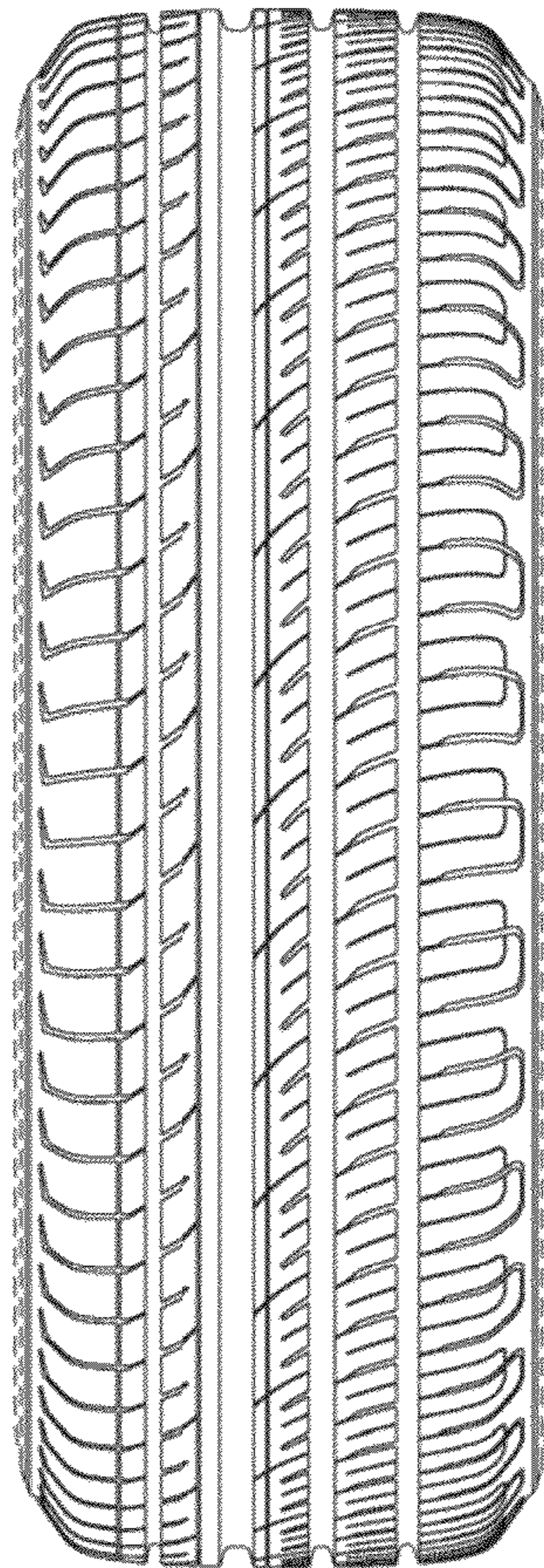


FIG. 3

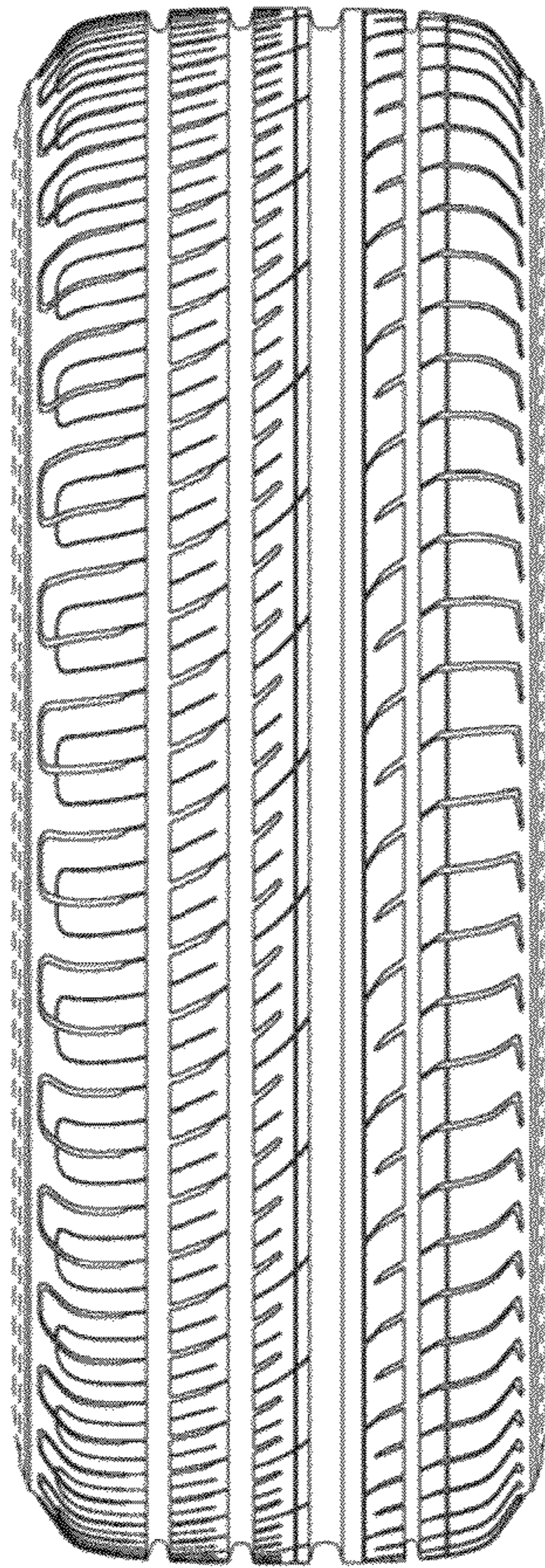


FIG. 4

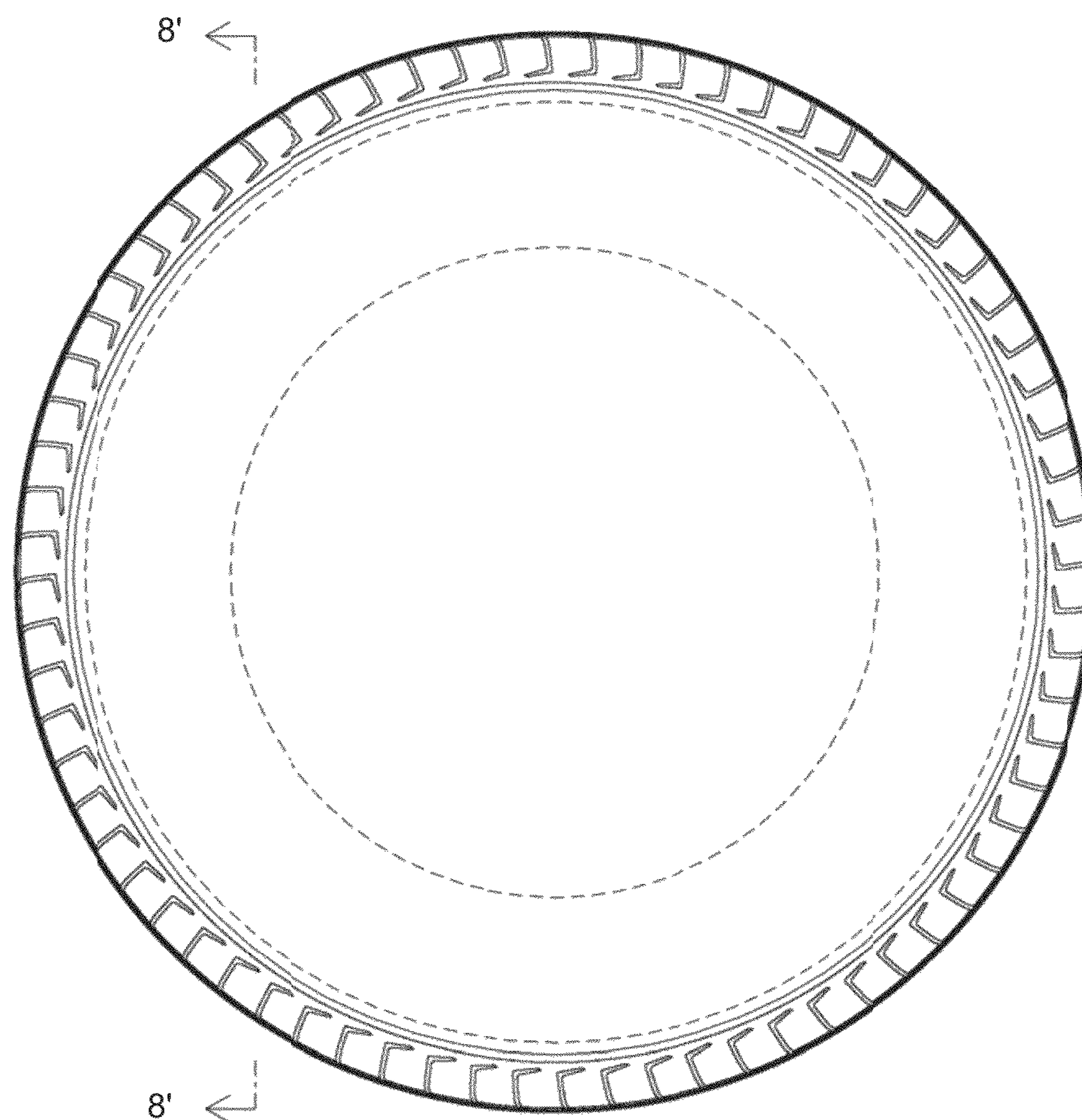


FIG. 5

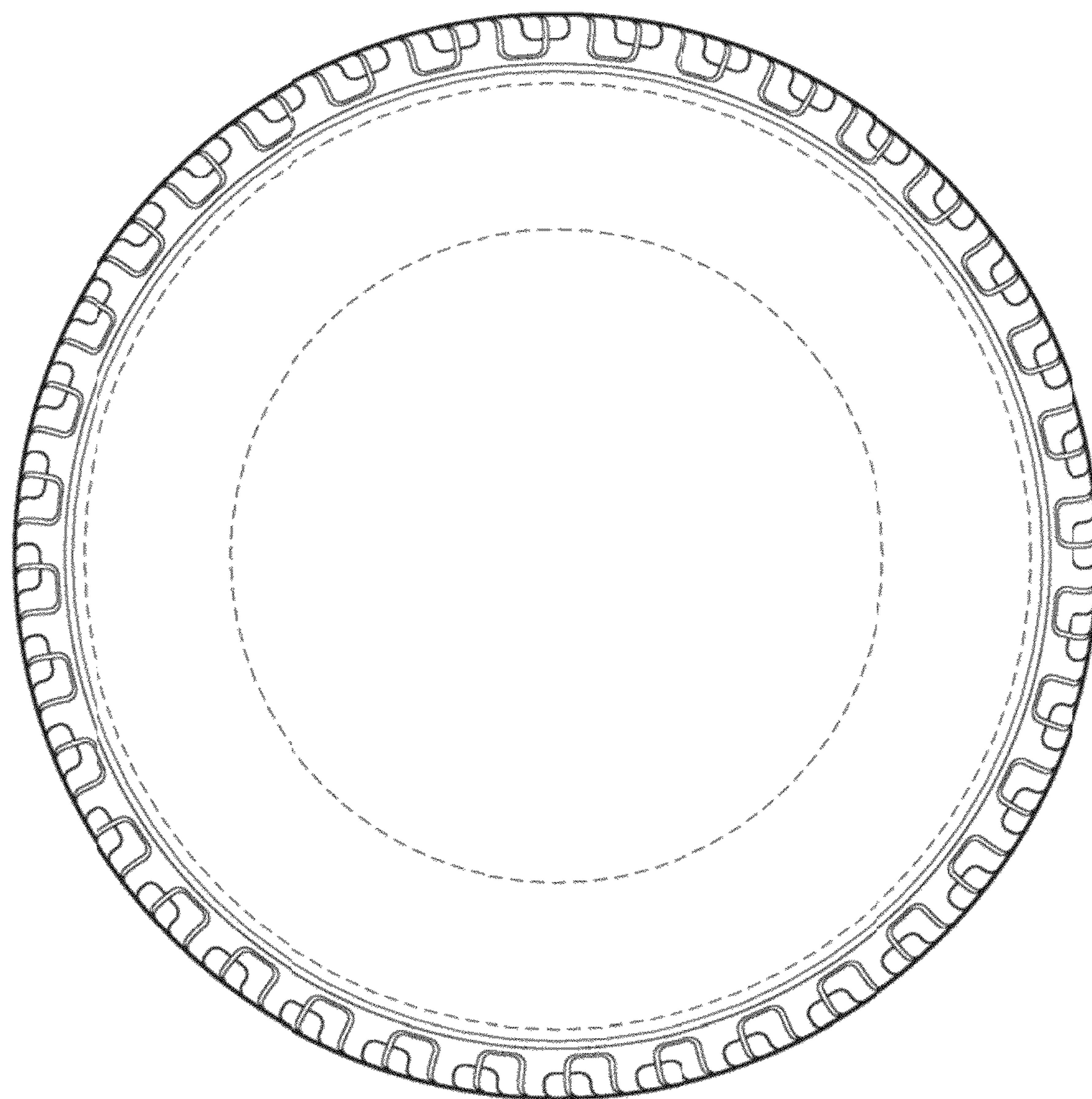


FIG. 6

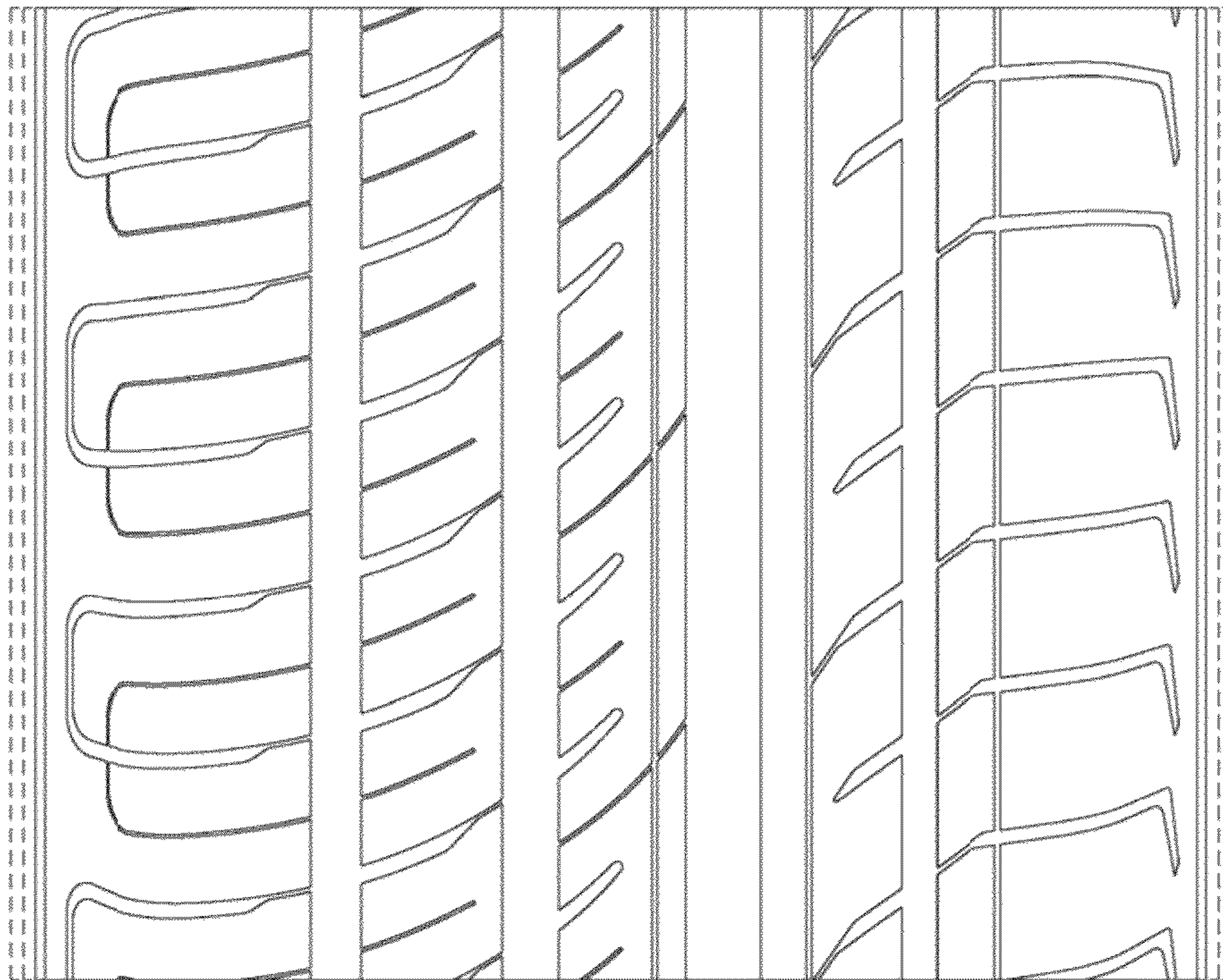


FIG. 7

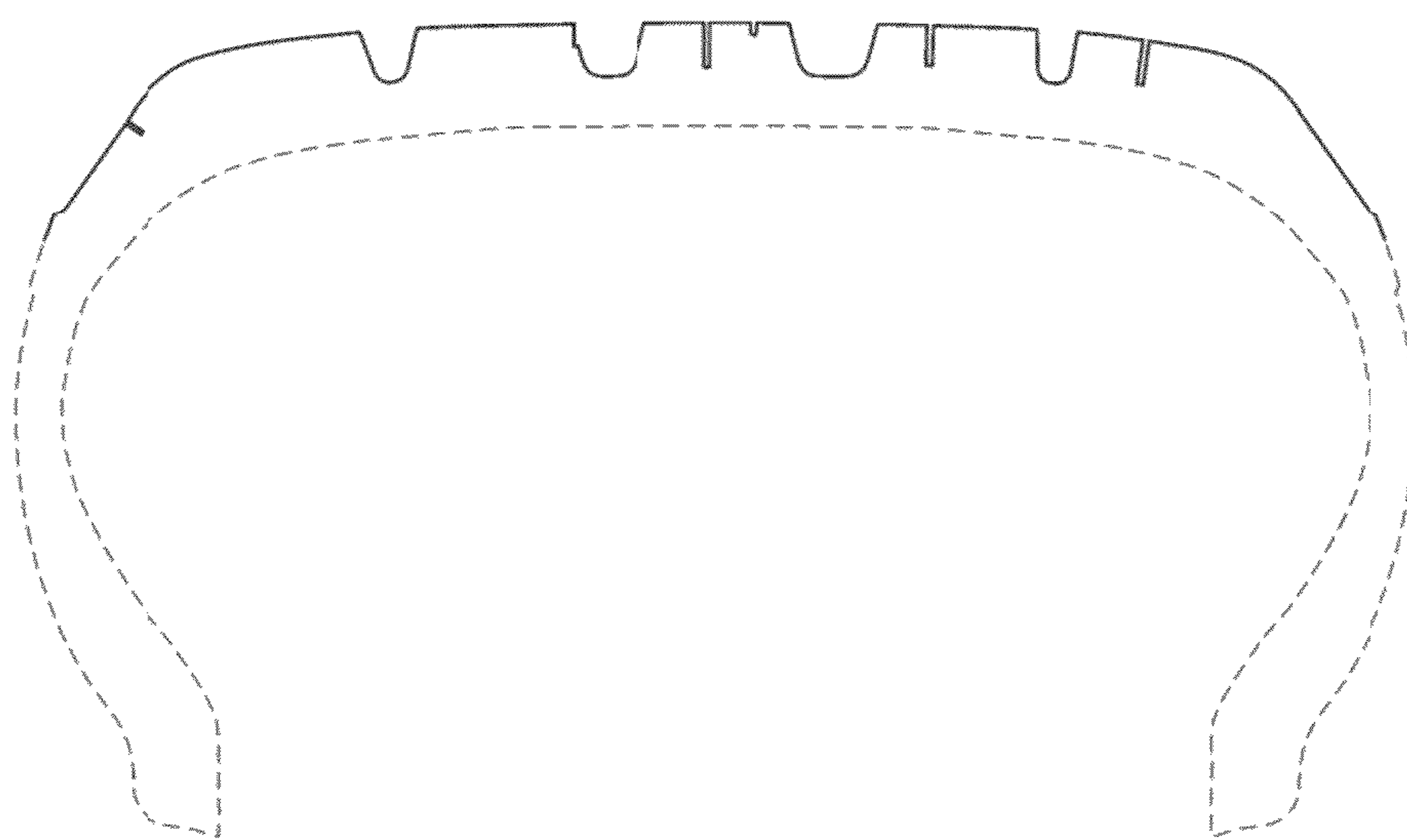


FIG. 8