



US00D682772S

(12) **United States Design Patent**
Massaad

(10) **Patent No.:** **US D682,772 S**

(45) **Date of Patent:** **** May 21, 2013**

(54) **ELECTRONIC TOLL PASS HOLDER**

(76) **Inventor:** **John Massaad**, Broadview Hts., OH
(US)

(**) **Term:** **14 Years**

(21) **Appl. No.:** **29/386,891**

(22) **Filed:** **Mar. 5, 2011**

(51) **LOC (9) Cl.** **12-16**

(52) **U.S. Cl.**
USPC **D12/415**

(58) **Field of Classification Search**

USPC D12/415-419, 191, 106, 96, 400,
D12/195, 345, 99; 312/246; 296/37.1-37.8,
296/70, 24.1, 24.2, 24.3, 137.1, 97.1, 97.2,
296/97.4, 97.5, 97.6, 97.7, 97.8, 180, 1;
224/311, 539, 281, 118.1, 275; D8/354;
D14/451-452; 248/278.1, 274.1, 284.1;
D9/423; D3/319; 160/370.21, 370.23, 370.22

See application file for complete search history.

(56) **References Cited**

U.S. PATENT DOCUMENTS

D329,414 S * 9/1992 Herzig D12/406
D386,298 S * 11/1997 Hancock D3/218

D525,935 S * 8/2006 Hussaini et al. D13/108
D585,897 S * 2/2009 Carnevali D14/434
D603,322 S * 11/2009 Nicieja D12/415
D645,030 S * 9/2011 Silverio D14/230
D652,830 S * 1/2012 Nazar D14/253
D656,932 S * 4/2012 Wikel D14/253

* cited by examiner

Primary Examiner — Katrina A Betton

(57) **CLAIM**

The ornamental design for an electronic toll pass holder, as shown and described.

DESCRIPTION

FIG. 1 is a front perspective view of an electronic toll pass holder showing my new design, the broken-line disclosure of the toll pass is for illustrative purposes only and forms no part of the claimed design;

FIG. 2 is a front elevational view thereof;

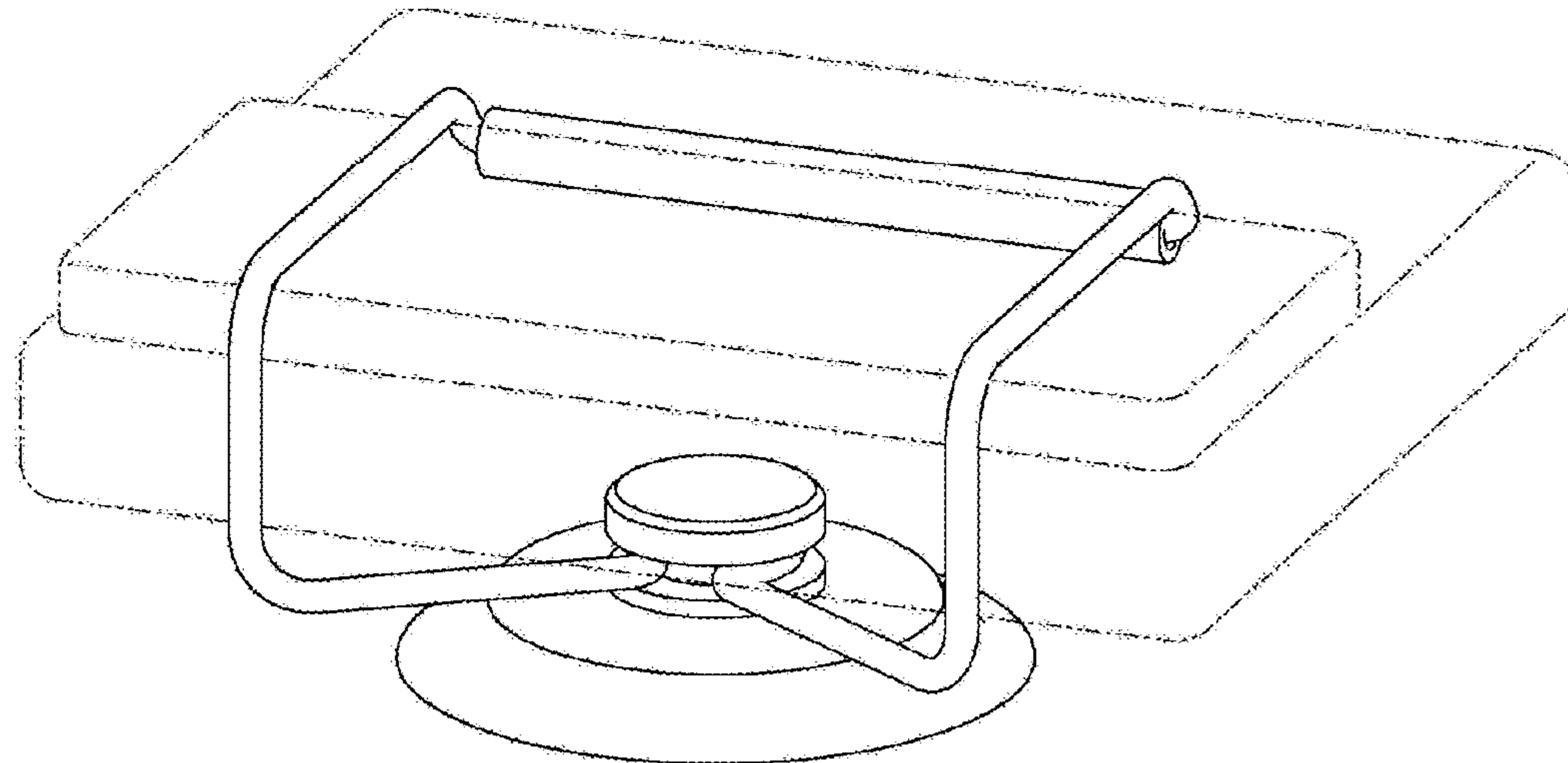
FIG. 3 is a right side elevational view thereof, the left side being a mirror image thereof;

FIG. 4 is a top view thereof;

FIG. 5 is a bottom view thereof; and,

FIG. 6 is a rear elevational view thereof.

1 Claim, 3 Drawing Sheets



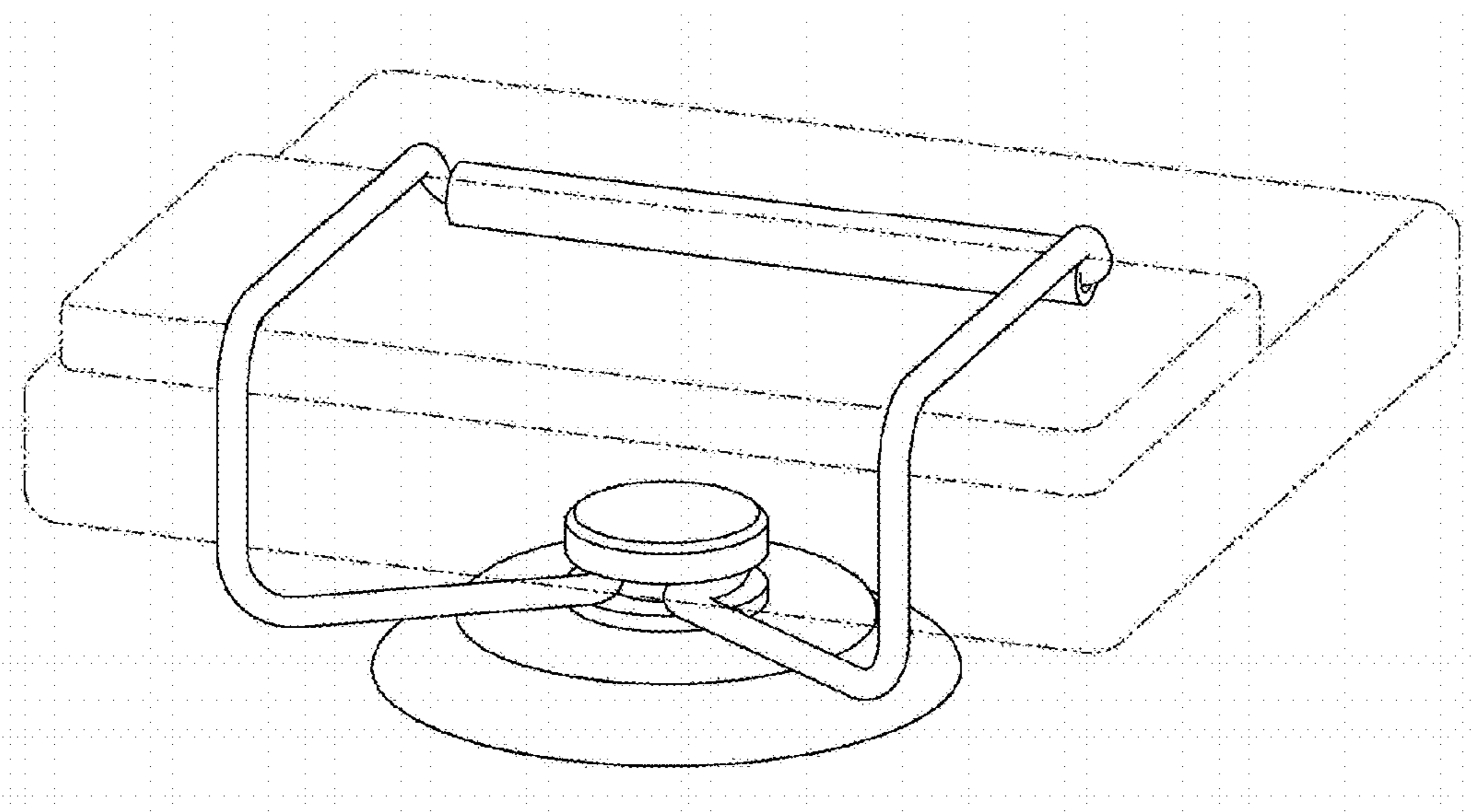


FIG.1

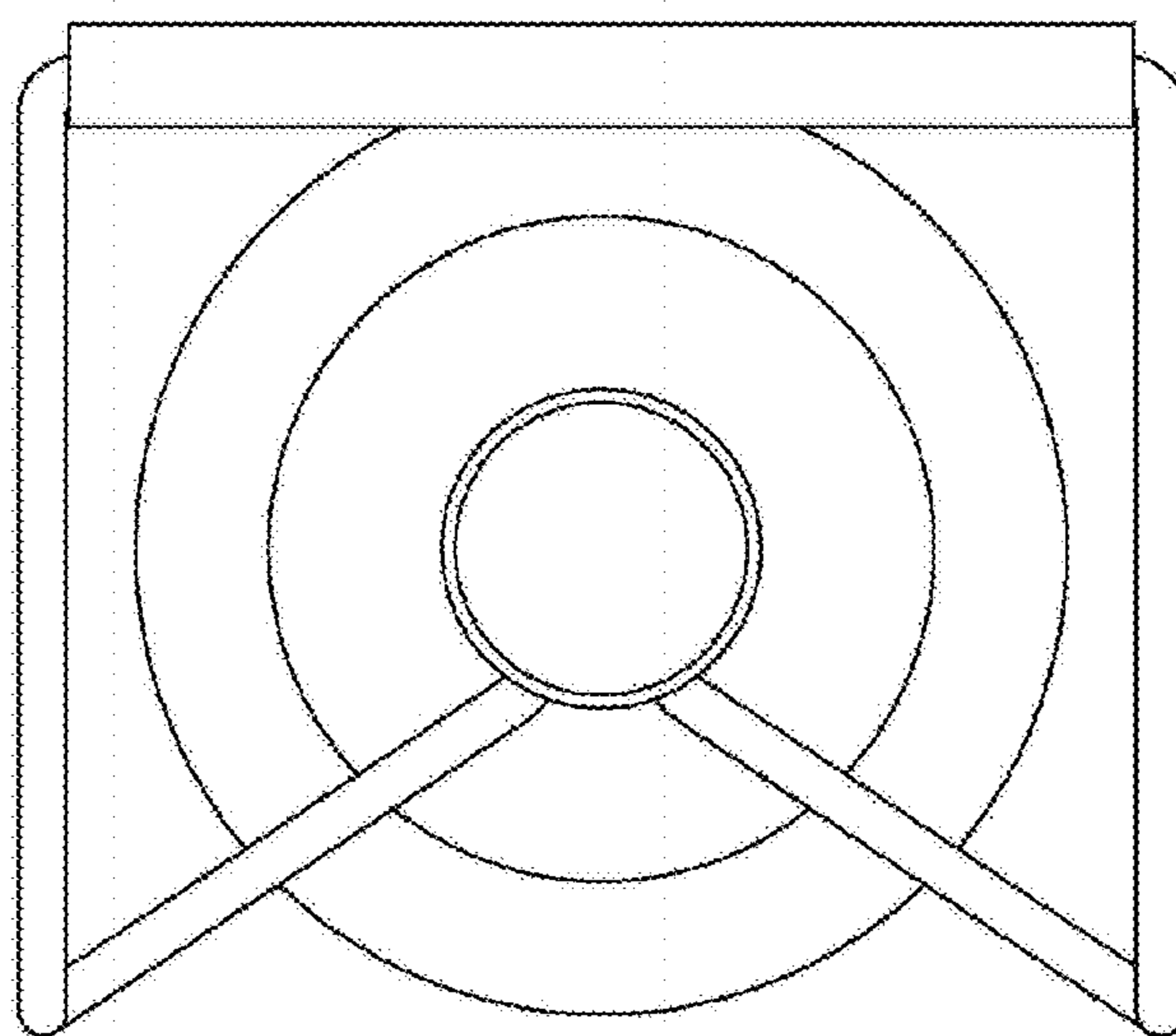


FIG.2

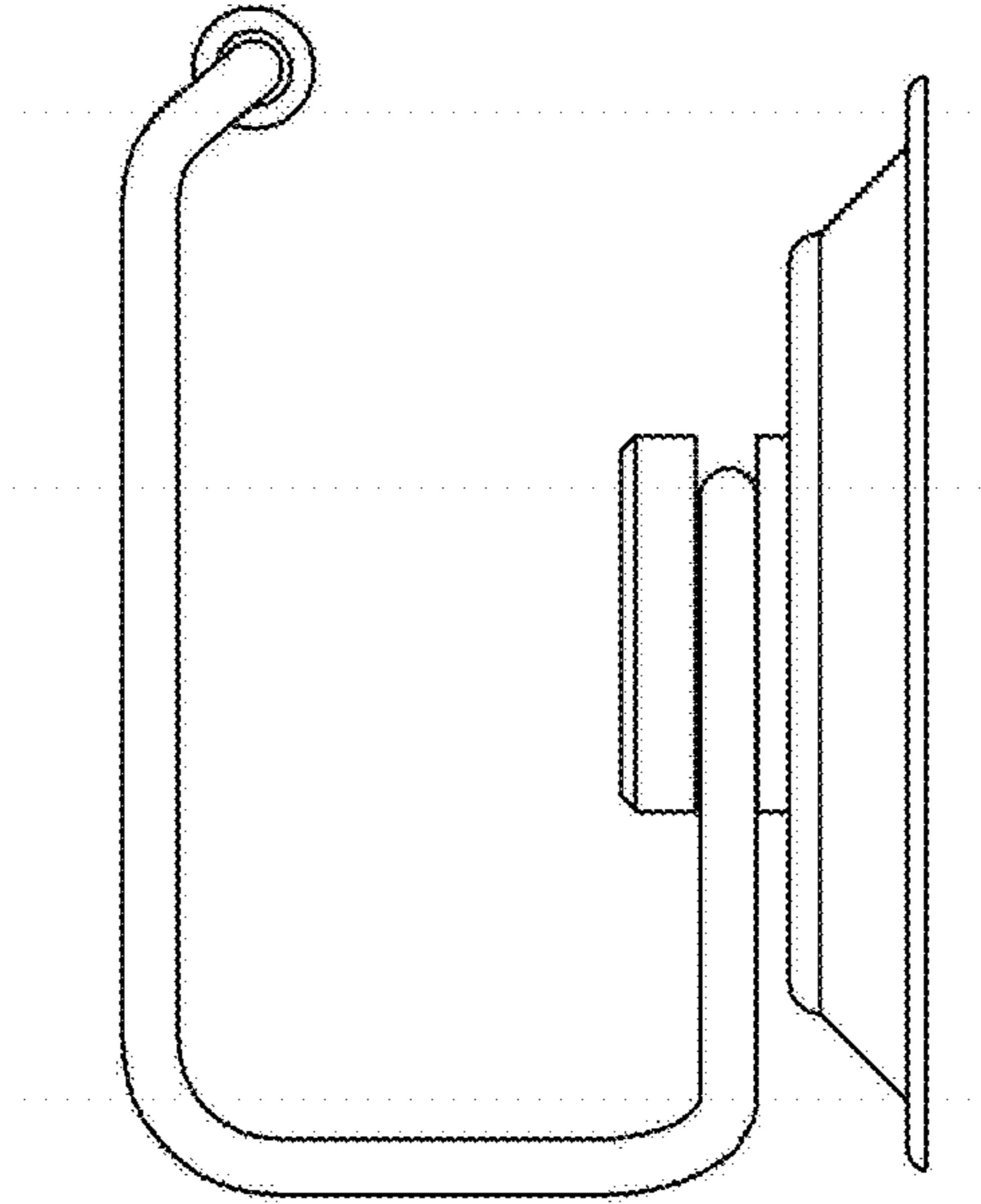


FIG.3

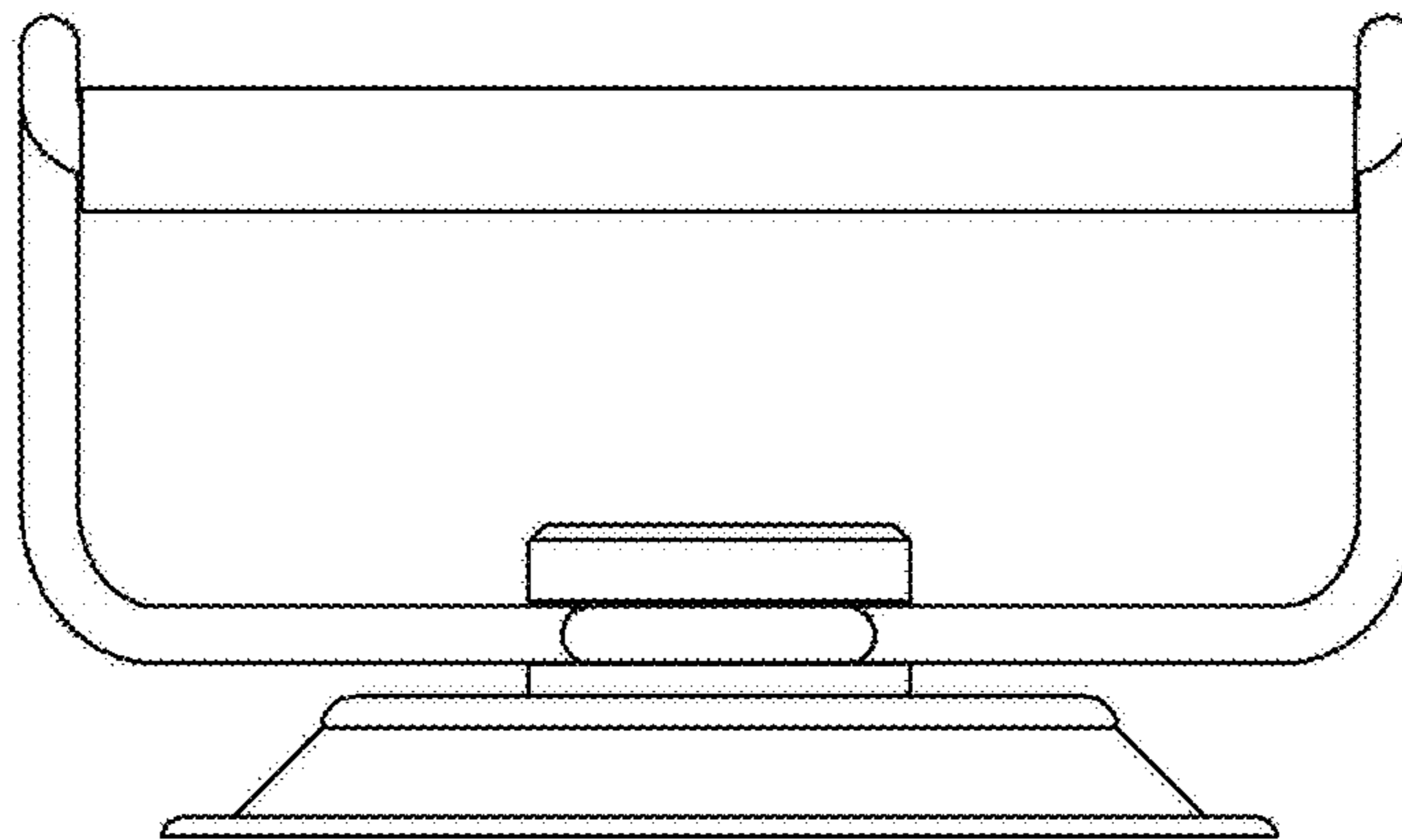


FIG.4

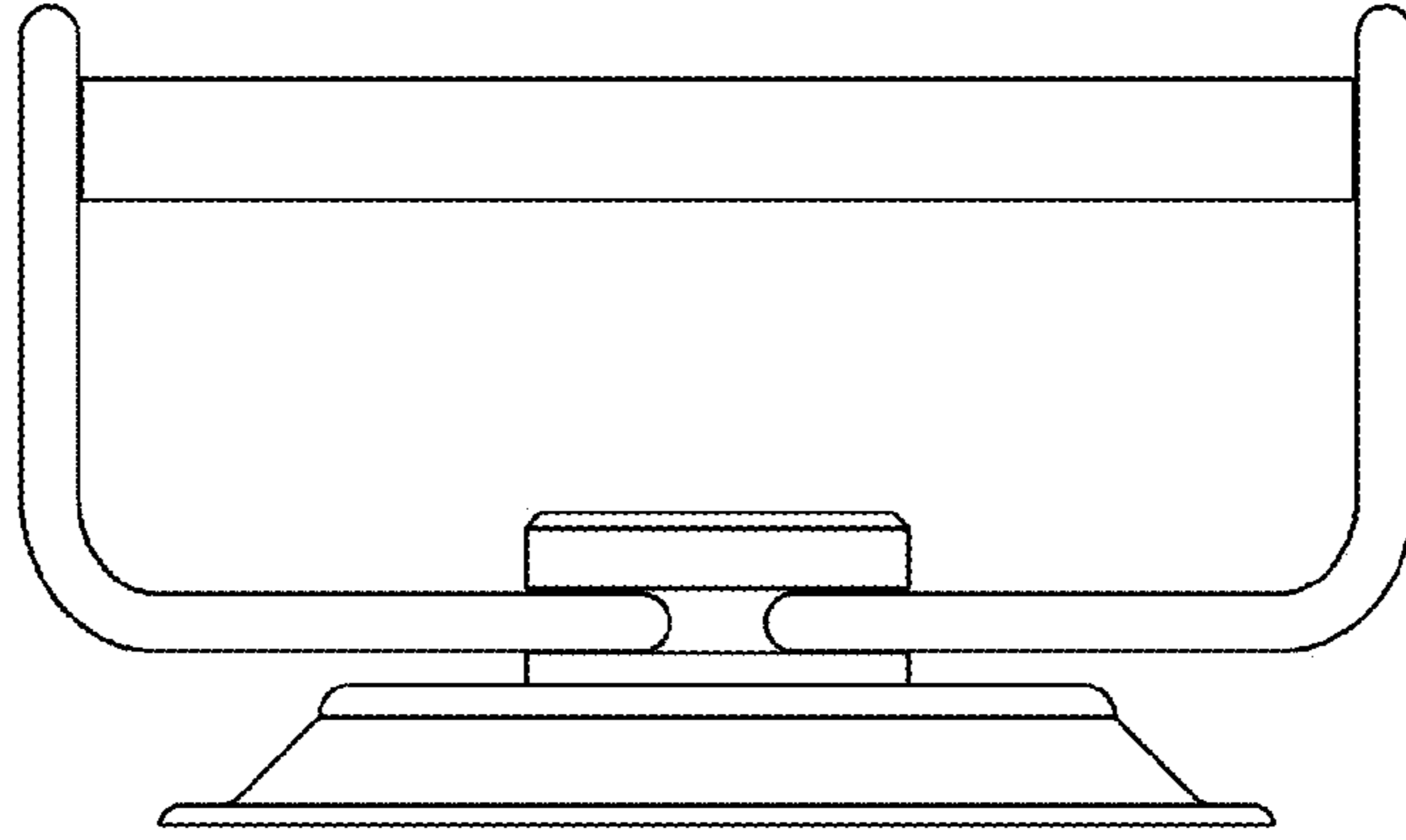


FIG. 5

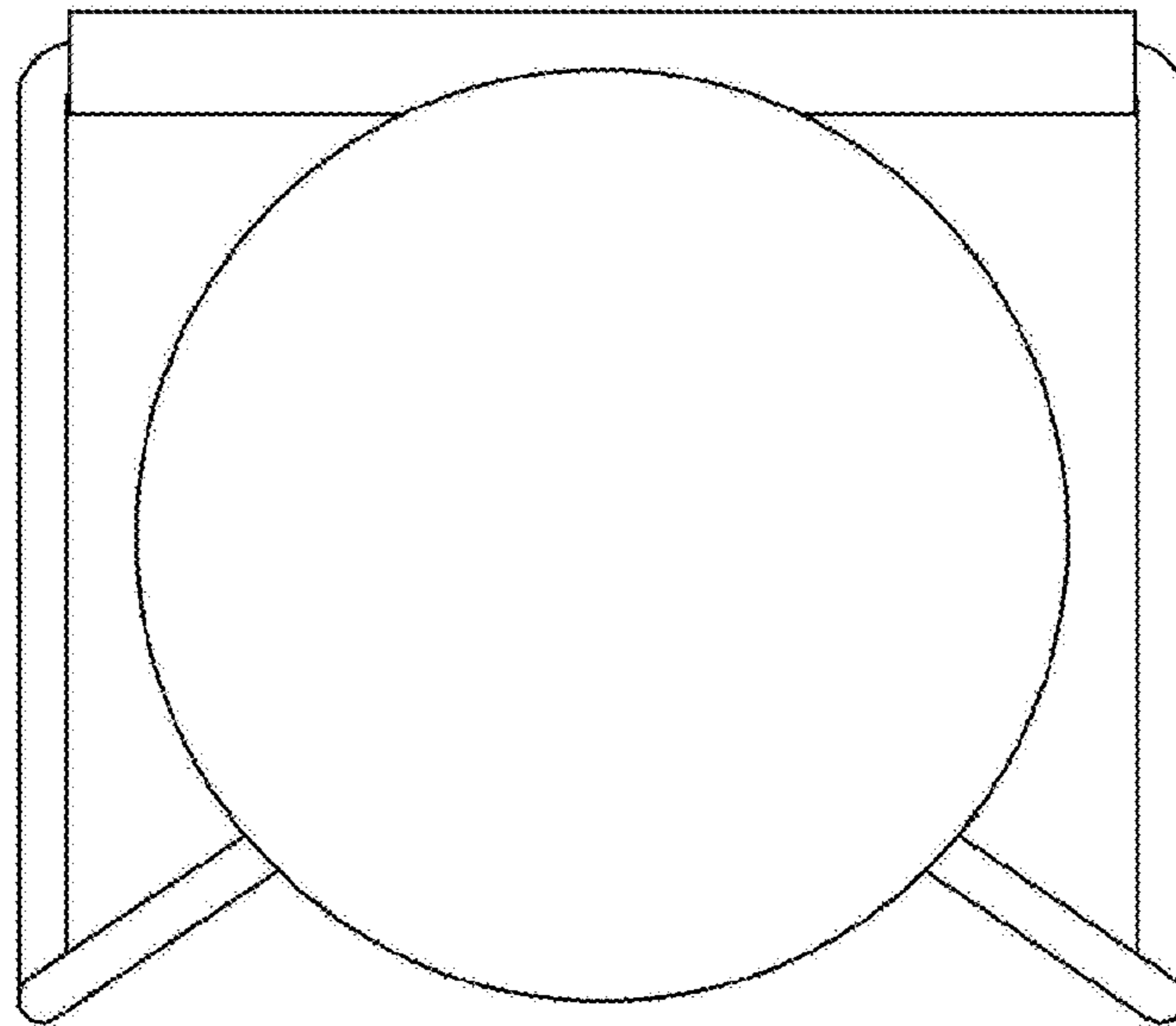


FIG. 6