



US00D682769S

(12) **United States Design Patent**
Zhao

(10) **Patent No.:** **US D682,769 S**

(45) **Date of Patent:** **** May 21, 2013**

(54) **AUTOMOBILE WHEEL**

(71) Applicant: **Wah Hung Group Inc.**, Monterey Park,
CA (US)

(72) Inventor: **John Zhao**, Monterey Park, CA (US)

(73) Assignee: **Wah Hung Group Inc.**, Monterey Park,
CA (US)

(**) Term: **14 Years**

(21) Appl. No.: **29/437,137**

(22) Filed: **Nov. 13, 2012**

(51) **LOC (9) Cl.** **12-16**

(52) **U.S. Cl.**
USPC **D12/211**

(58) **Field of Classification Search** D12/204-213;
301/37.101, 64.101, 65, 64.201
See application file for complete search history.

(56) **References Cited**

U.S. PATENT DOCUMENTS

| | | | | |
|--------------|--------|-----------|-------|---------|
| D473,836 S * | 4/2003 | Laengerer | | D12/211 |
| D487,420 S * | 3/2004 | Kang | | D12/211 |
| D504,382 S * | 4/2005 | Elmitt | | D12/211 |

| | | | | |
|--------------|---------|-----------------|-------|---------|
| D506,967 S * | 7/2005 | Kamimura | | D12/211 |
| D552,524 S * | 10/2007 | Tirado | | D12/209 |
| D596,099 S * | 7/2009 | Chung | | D12/209 |
| D617,251 S * | 6/2010 | Zhao | | D12/211 |
| D620,425 S * | 7/2010 | Zhao | | D12/211 |
| D633,840 S * | 3/2011 | Johnson | | D12/209 |
| D633,848 S * | 3/2011 | Johnson | | D12/211 |
| D637,947 S * | 5/2011 | Zhao | | D12/211 |
| D655,235 S * | 3/2012 | Zhao | | D12/211 |
| D659,066 S * | 5/2012 | Johnson | | D12/209 |
| D660,765 S * | 5/2012 | Gotschke et al. | | D12/209 |
| D667,767 S * | 9/2012 | Gotschke | | D12/209 |

* cited by examiner

Primary Examiner — Stacia Cadmus

(74) *Attorney, Agent, or Firm* — Adli Law Group P.C.

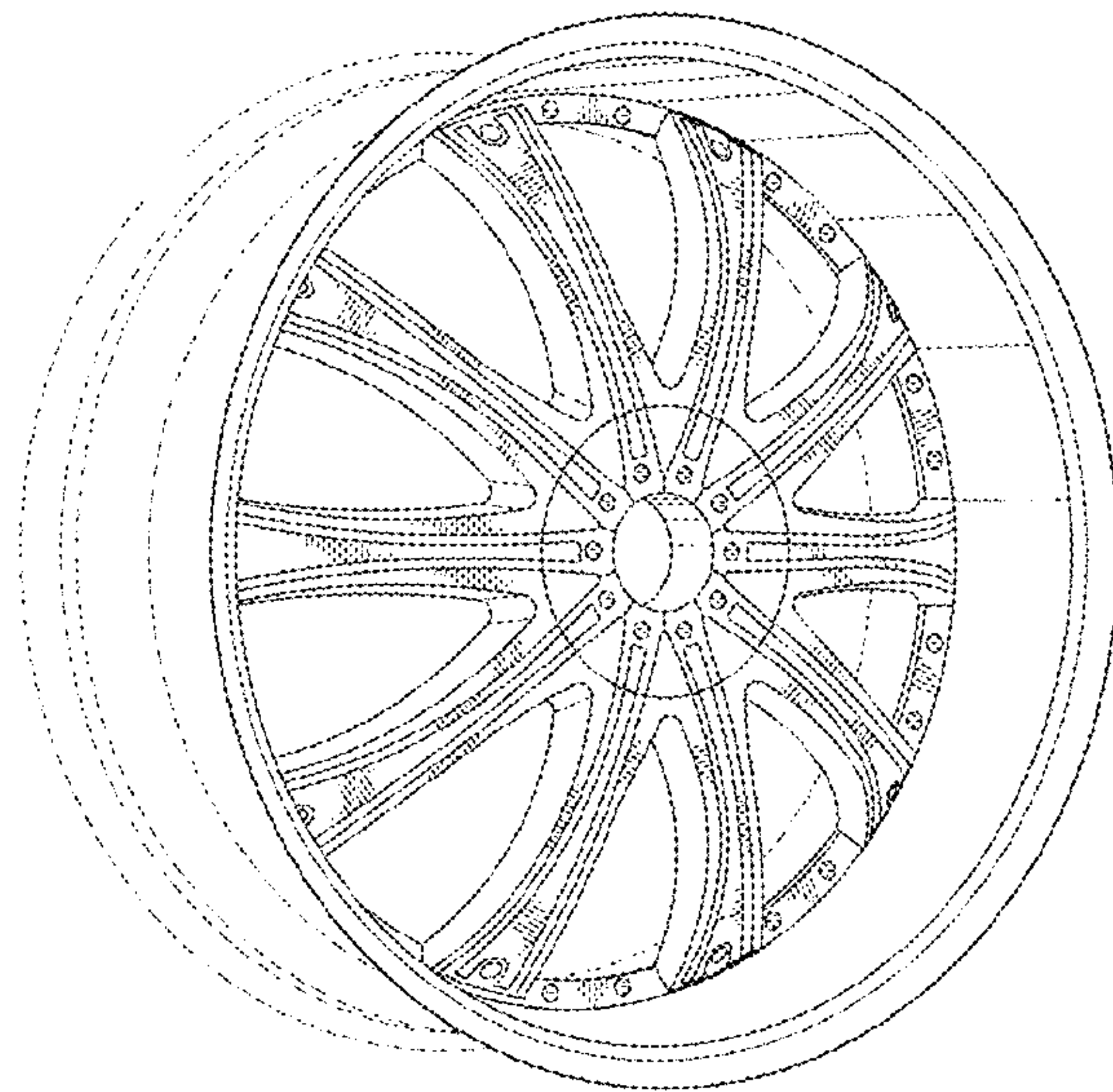
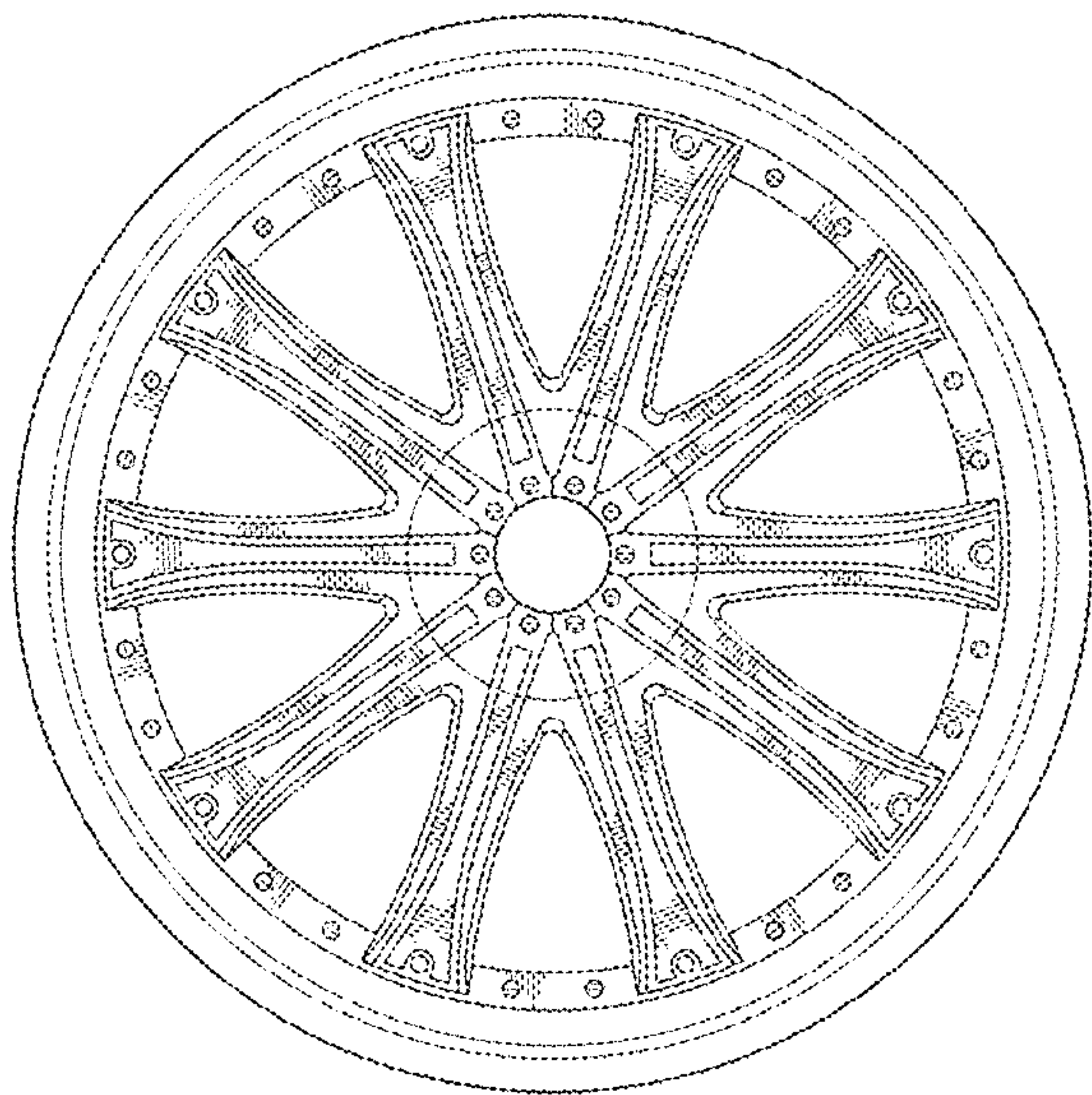
(57) **CLAIM**

The ornamental design for an automobile wheel, as shown and described.

DESCRIPTION

FIG. 1 is a front elevational view of an automobile wheel, showing my new design; and, FIG. 2 is perspective view thereof. The broken line showing of the rear of the rim is included for the purpose of illustrating environment and forms no part of the claimed design.

1 Claim, 2 Drawing Sheets



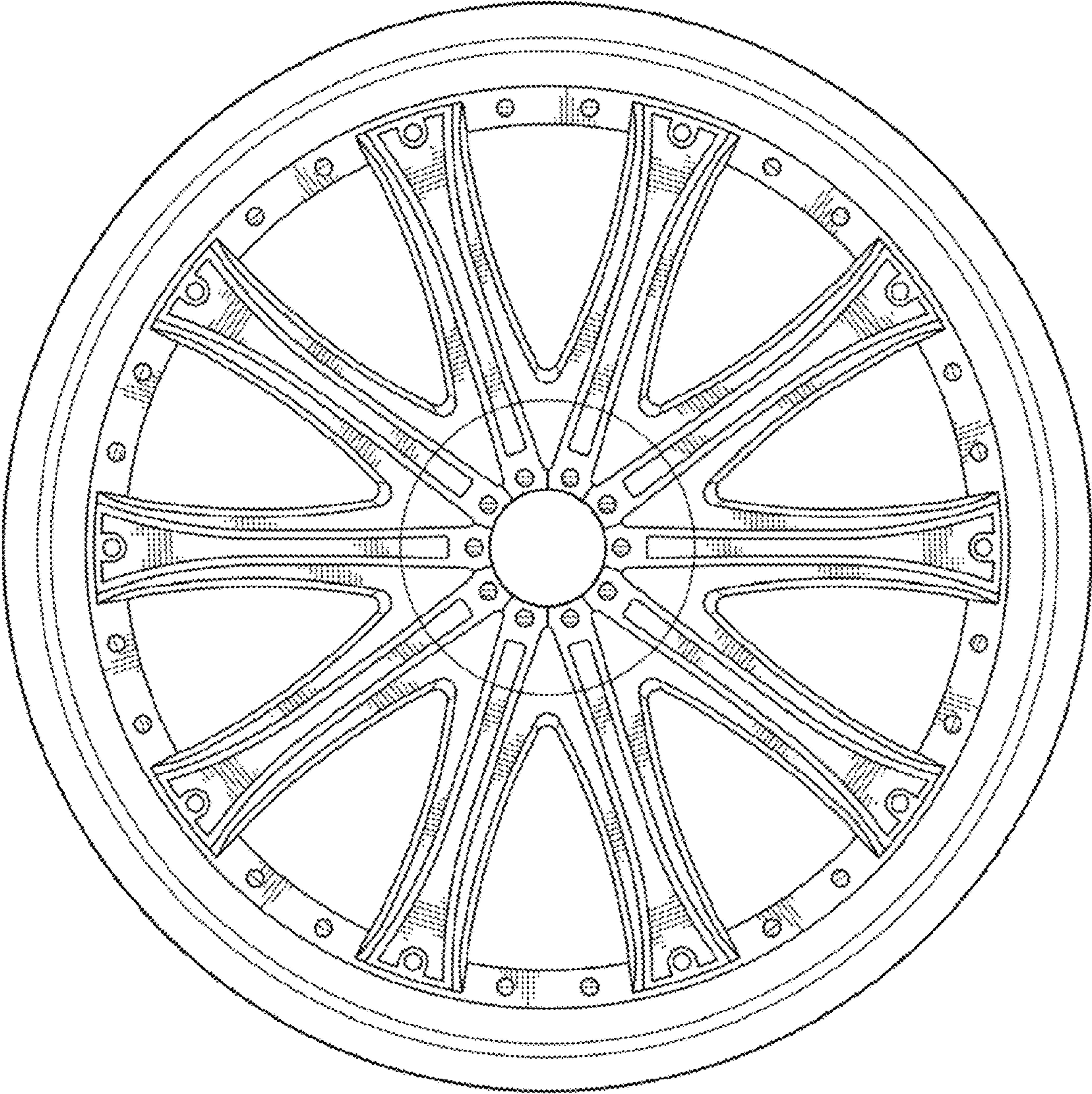


FIG. 1

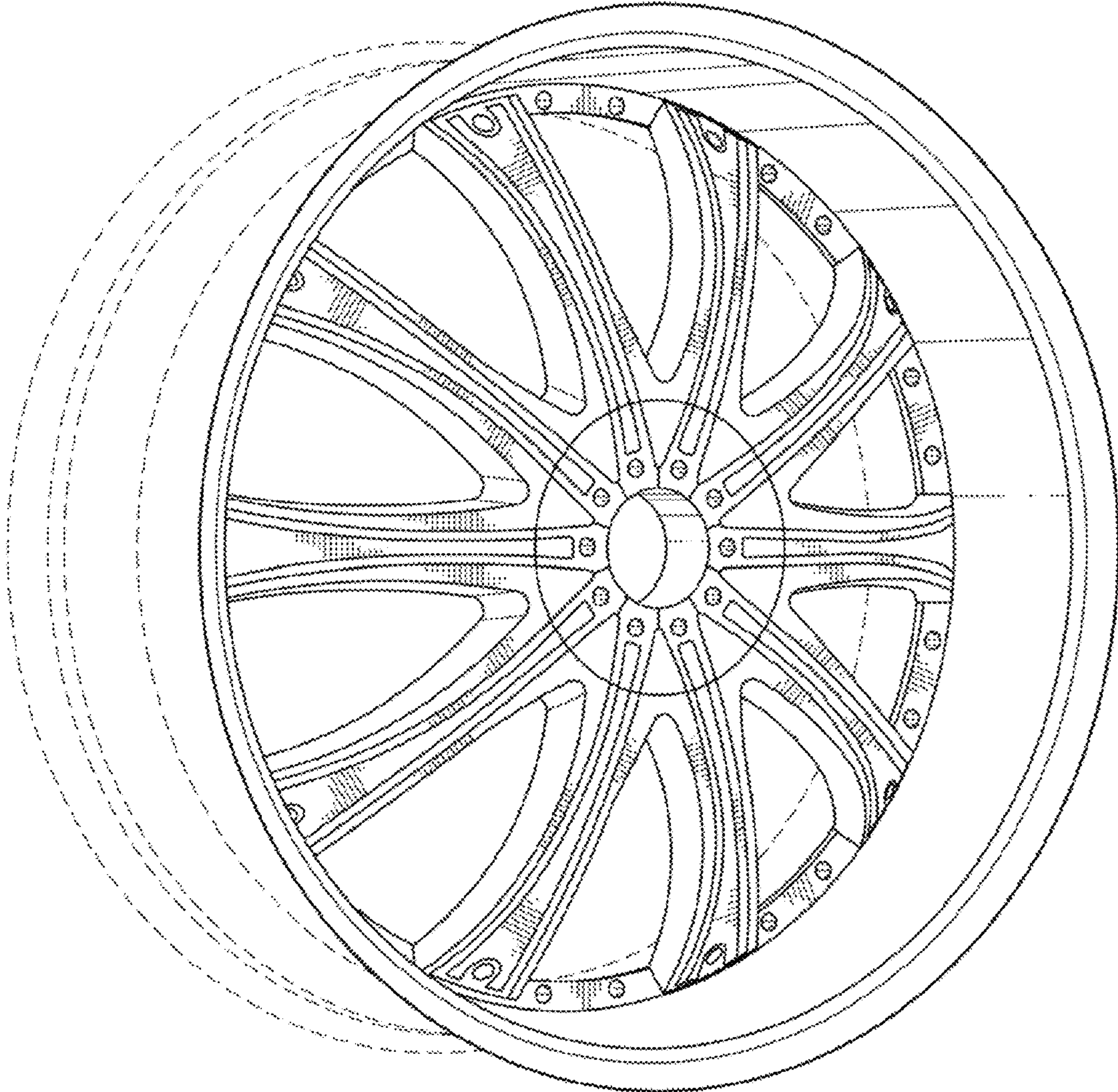


FIG. 2