



US00D682768S

(12) **United States Design Patent**
Hale

(10) **Patent No.:** **US D682,768 S**

(45) **Date of Patent:** **** May 21, 2013**

(54) **VEHICLE-WHEEL FRONT FACE**

(71) Applicant: **Mobile Hi-Tech Wheels**, Rancho Dominguez, CA (US)

(72) Inventor: **Arthur D. Hale**, Long Beach, CA (US)

(73) Assignee: **Mobile Hi-Tech Wheels**, Rancho Dominguez, CA (US)

(**) Term: **14 Years**

(21) Appl. No.: **29/435,823**

(22) Filed: **Oct. 29, 2012**

(51) **LOC (9) Cl.** **12-16**

(52) **U.S. Cl.**
USPC **D12/211**

(58) **Field of Classification Search** D12/204-213;
301/37.101, 64.101, 65, 64.201
See application file for complete search history.

(56) **References Cited**

U.S. PATENT DOCUMENTS

D431,514 S * 10/2000 Cullen D12/209
D463,769 S * 10/2002 Chung D12/211

D594,397 S * 6/2009 Laengerer D12/211
D620,873 S * 8/2010 Groom D12/211
D626,053 S * 10/2010 Groom D12/211
D660,768 S * 5/2012 De Bono D12/211

* cited by examiner

Primary Examiner — Stacia Cadmus

(74) *Attorney, Agent, or Firm* — Christie, Parker & Hale, LLP

(57) **CLAIM**

The ornamental design for vehicle-wheel front face, as shown and described.

DESCRIPTION

FIG. 1 is a perspective view of a vehicle-wheel front face according to my new design;
FIG. 2 is a front elevational view thereof; and,
FIG. 3 is a side elevational view thereof.
The broken line showing of the rear of the wheel and the bolt holes and center cap in the central hub area is included for the purpose of illustrating environment and forms no part of the claimed design.

1 Claim, 3 Drawing Sheets

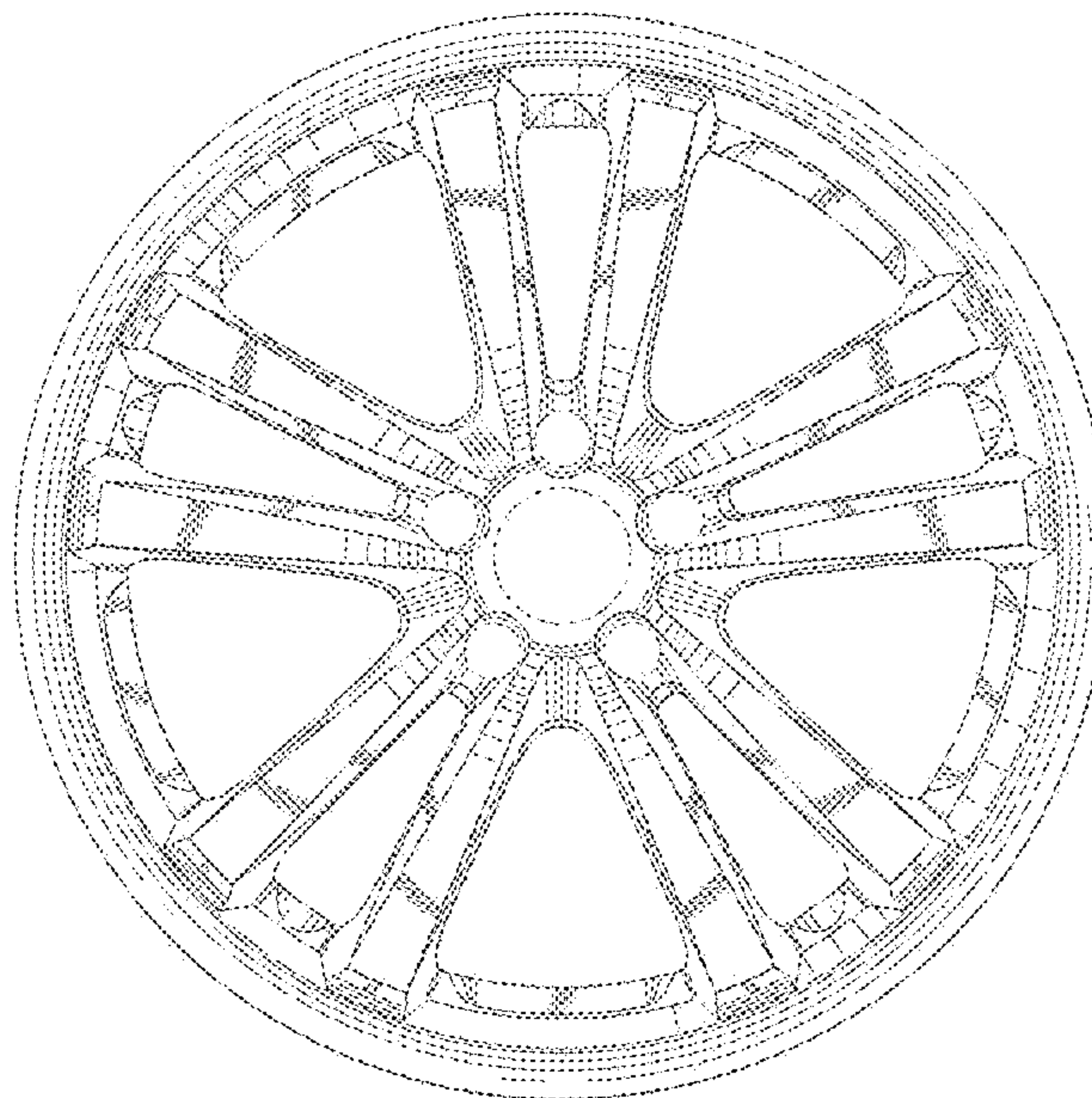
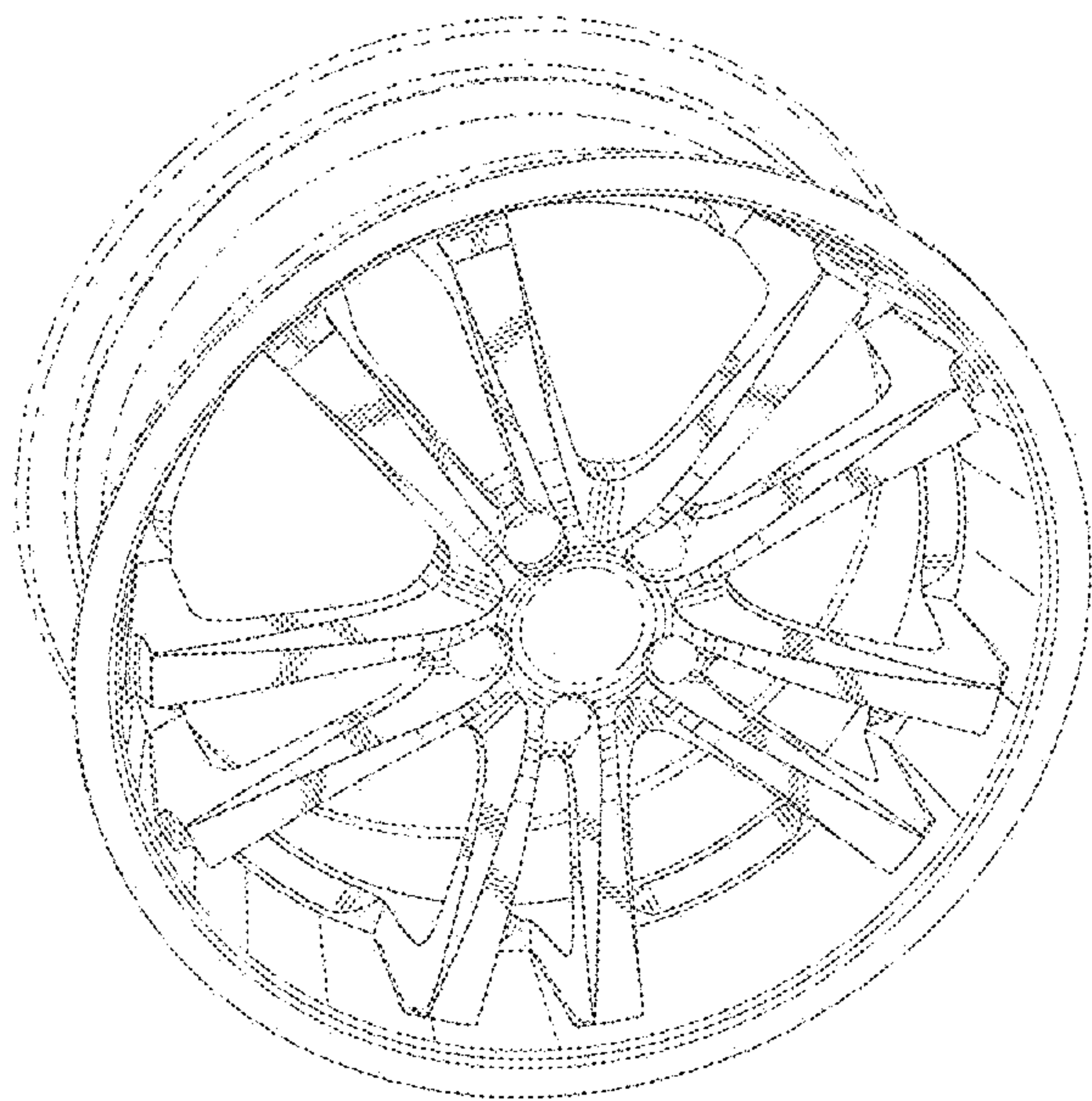


FIG. 1

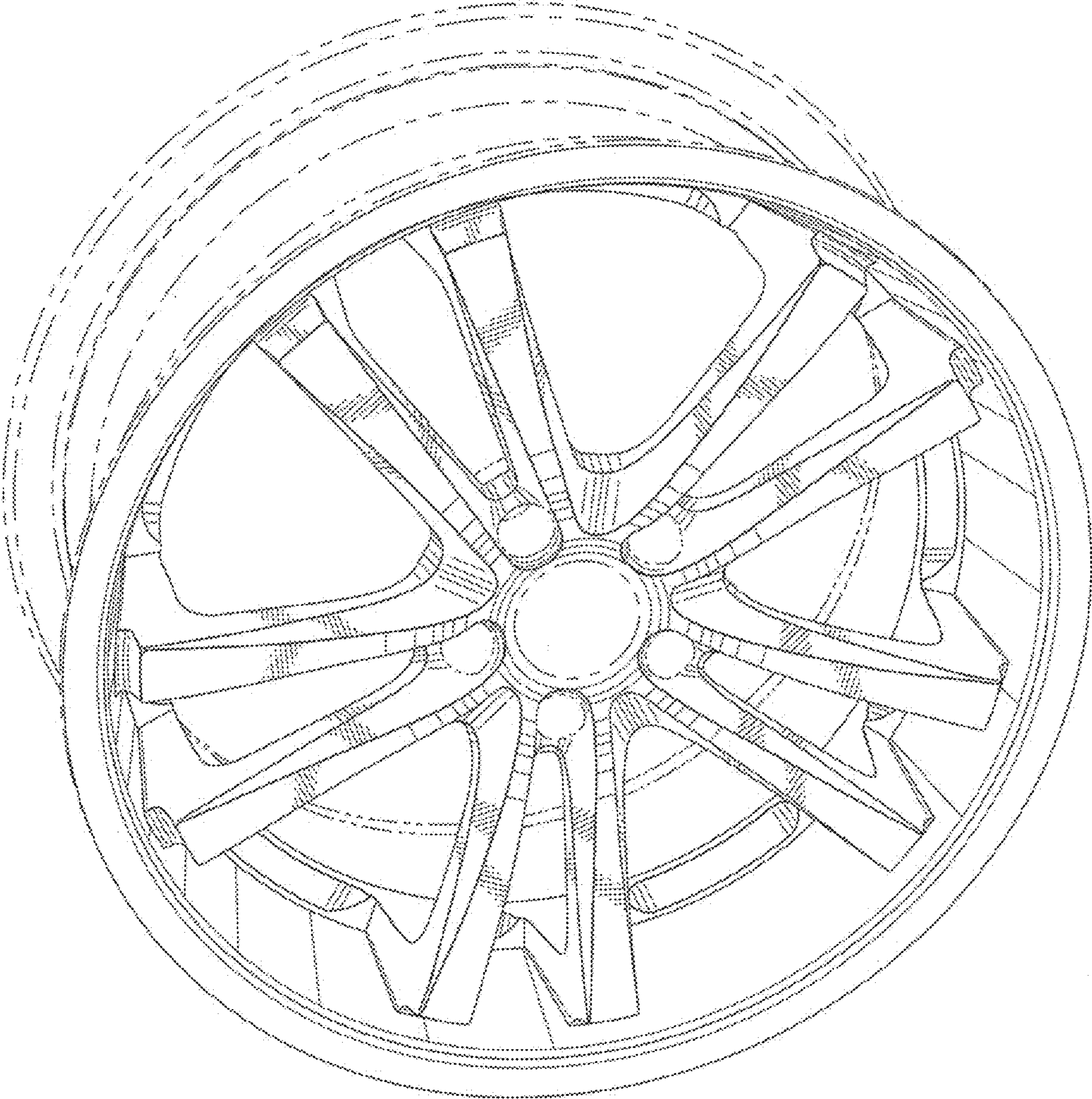


FIG. 2

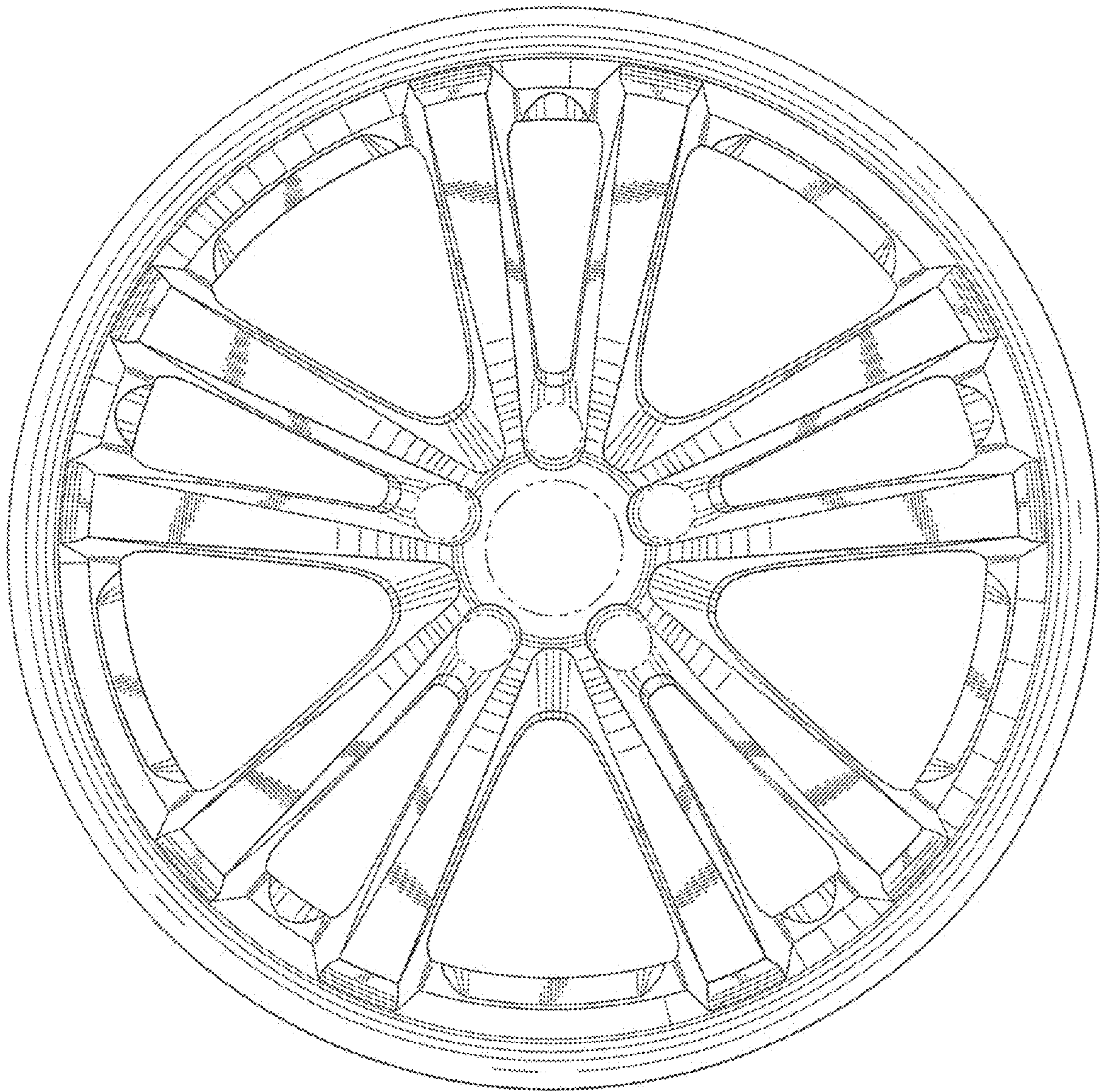


FIG. 3



UNITED STATES PATENT AND TRADEMARK OFFICE
CERTIFICATE OF CORRECTION

PATENT NO. : D682,768 S
APPLICATION NO. : 29/435823
DATED : May 21, 2013
INVENTOR(S) : Arthur D. Hale, Jr.

Page 1 of 1

It is certified that error appears in the above-identified patent and that said Letters Patent is hereby corrected as shown below:

On the Title Page

(12)

Delete "Hale"

Insert -- Hale Jr. --

(72) Inventor:

Delete "Arthur D. Hale,"

Insert -- Arthur D. Hale Jr., --

Signed and Sealed this
Eighth Day of July, 2014



Michelle K. Lee
Deputy Director of the United States Patent and Trademark Office