



US00D682765S

(12) **United States Design Patent**
Alfonso

(10) **Patent No.:** **US D682,765 S**

(45) **Date of Patent:** **** May 21, 2013**

(54) **AUTOMOBILE WHEEL**

(71) Applicant: **Ernie R. Alfonso**, Pomona, CA (US)

(72) Inventor: **Ernie R. Alfonso**, Pomona, CA (US)

(73) Assignee: **Direct Wheel Inc.**, Pomona, CA (US)

(**) Term: **14 Years**

(21) Appl. No.: **29/434,162**

(22) Filed: **Oct. 10, 2012**

(51) **LOC (9) Cl.** **12-16**

(52) **U.S. Cl.**
USPC **D12/211**

(58) **Field of Classification Search** D12/204-213;
301/37.101, 64.101, 65, 64.201
See application file for complete search history.

(56) **References Cited**

U.S. PATENT DOCUMENTS

D460,941 S *	7/2002	Muzzarelli	D12/211
D480,037 S *	9/2003	Takechi	D12/211
D497,869 S *	11/2004	Guevara	D12/211
D527,700 S *	9/2006	Guevara	D12/211
D578,459 S *	10/2008	Hetrick	D12/211
D585,808 S *	2/2009	Hetrick	D12/211
D596,100 S *	7/2009	Aroney	D12/211

D599,267 S *	9/2009	Morgenstern et al.	D12/211
D631,815 S *	2/2011	Foose	D12/211
D639,717 S *	6/2011	Chung	D12/211
D671,063 S *	11/2012	Hilpert et al.	D12/211

* cited by examiner

Primary Examiner — Stacia Cadmus

(74) *Attorney, Agent, or Firm* — Adli Law Group P.C.

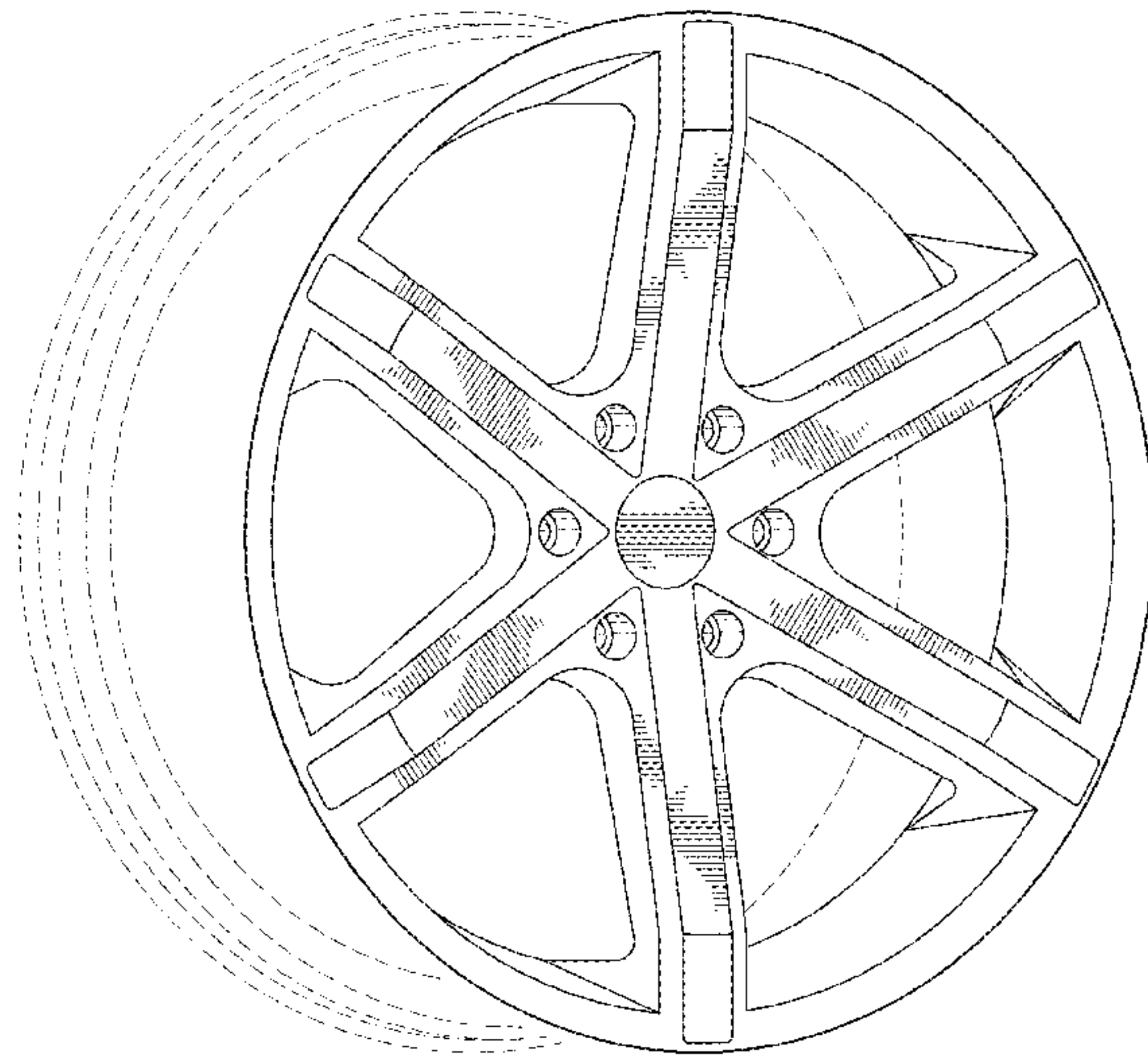
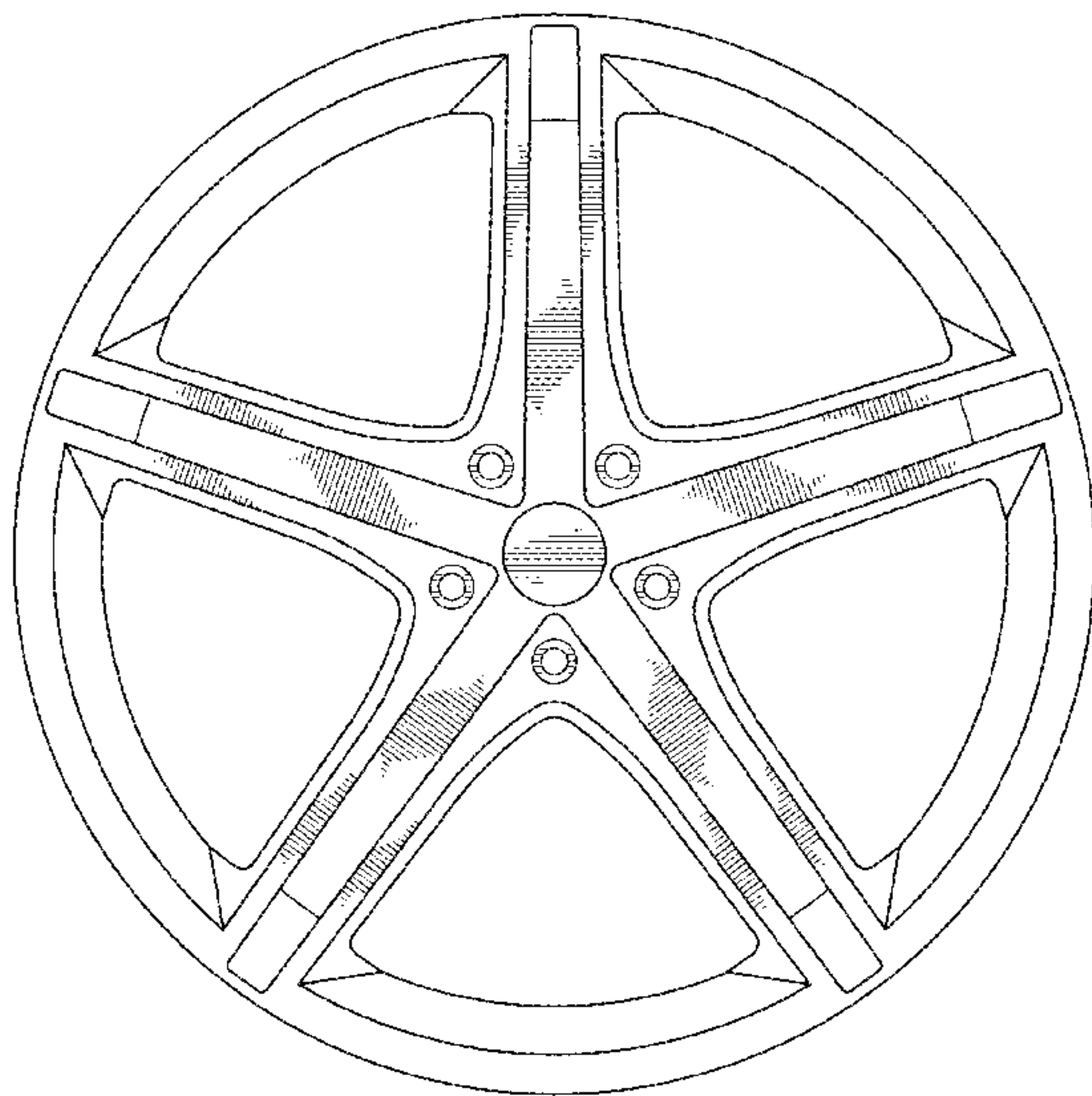
(57) **CLAIM**

The ornamental design for an automobile wheel, as shown and described.

DESCRIPTION

FIG. 1 is a front elevational view of an automobile wheel, showing my new design with 5 spokes;
FIG. 2 is perspective view thereof;
FIG. 3 is a front elevational view of a second embodiment of an automobile wheel, showing my new design with 6 spokes; and,
FIG. 4 is perspective view thereof.
The broken line showing of the rear of the rim is included for the purpose of illustrating environment and forms no part of the claimed design.

1 Claim, 4 Drawing Sheets



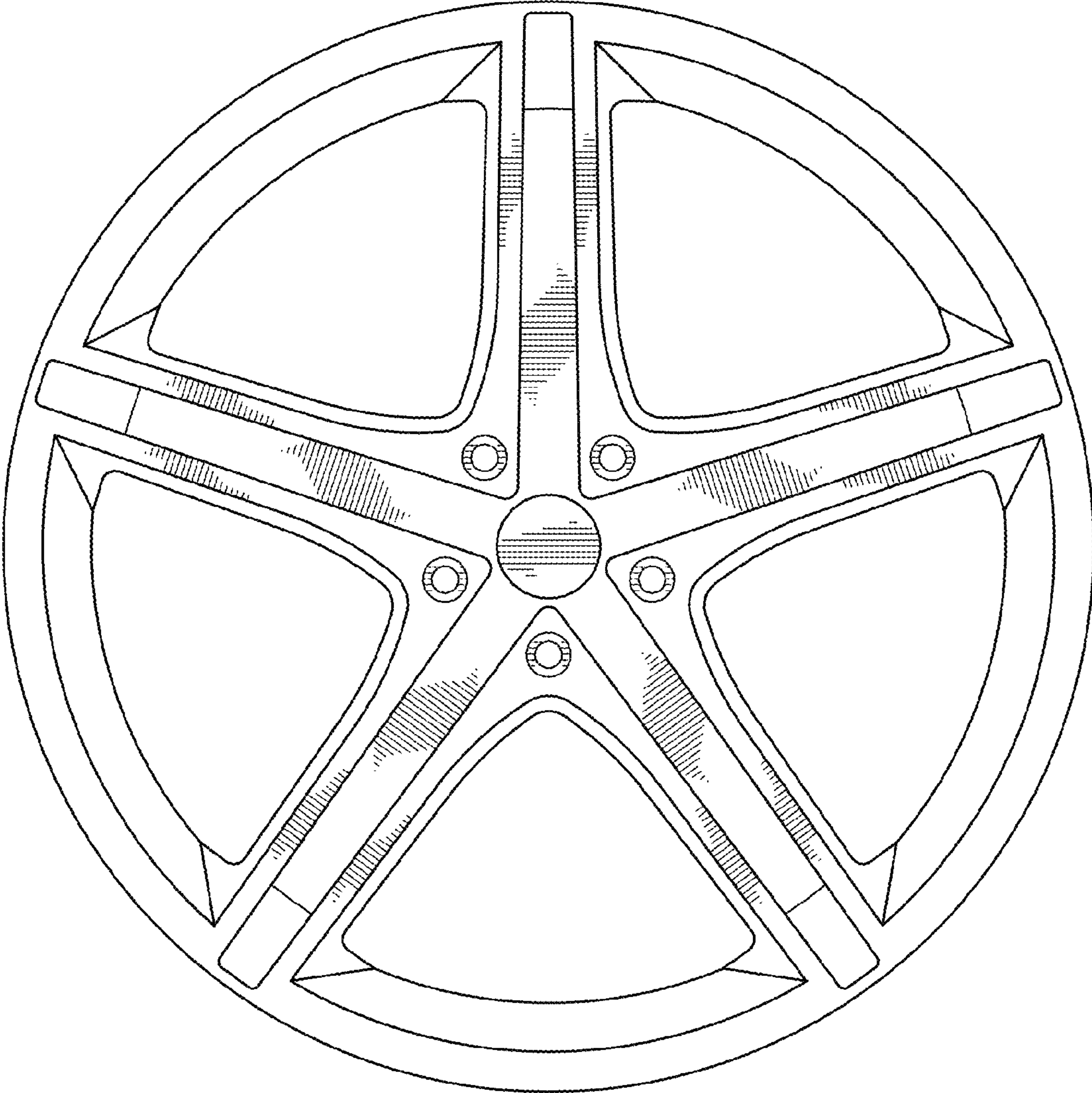


FIG. 1

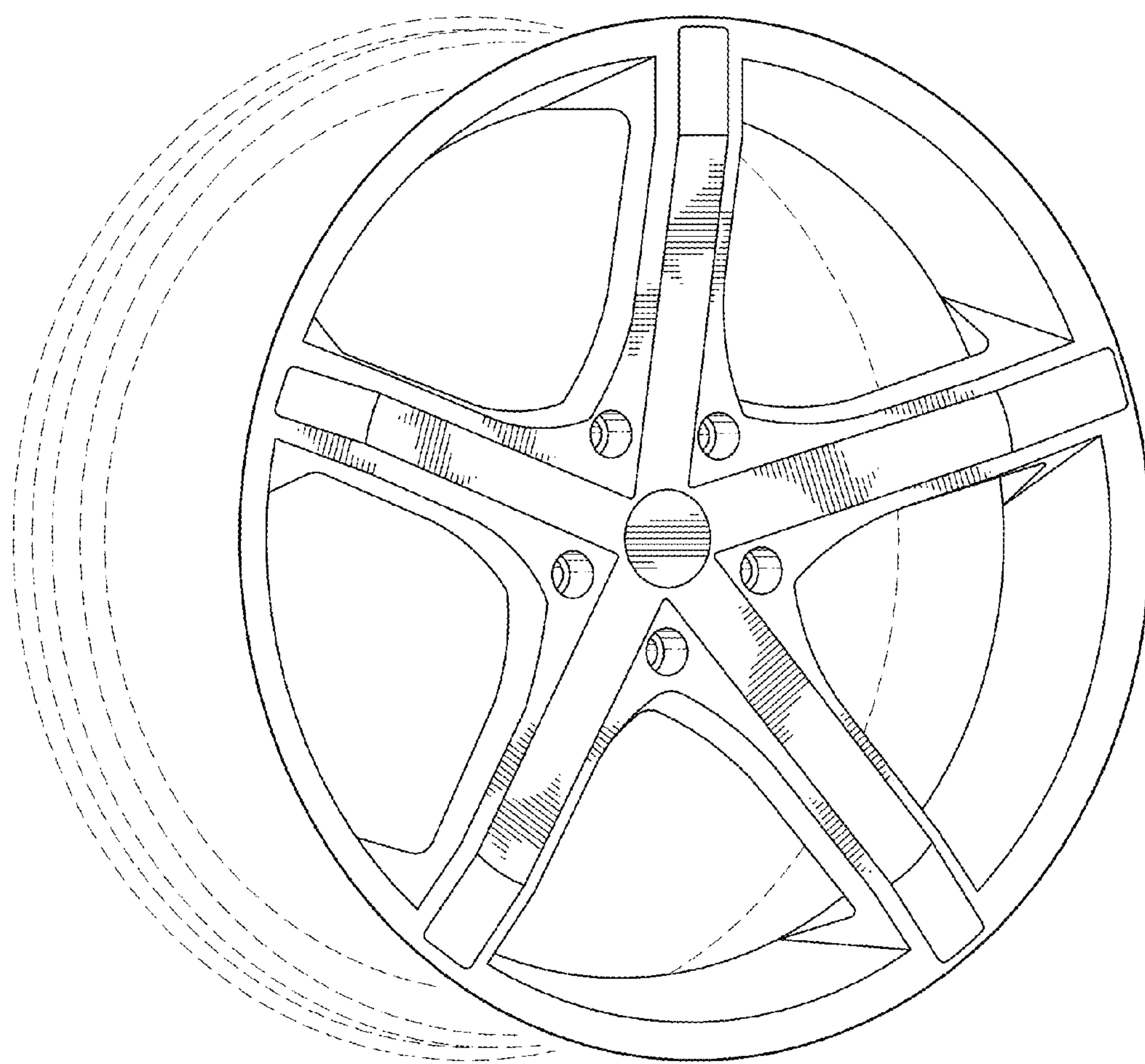


FIG. 2

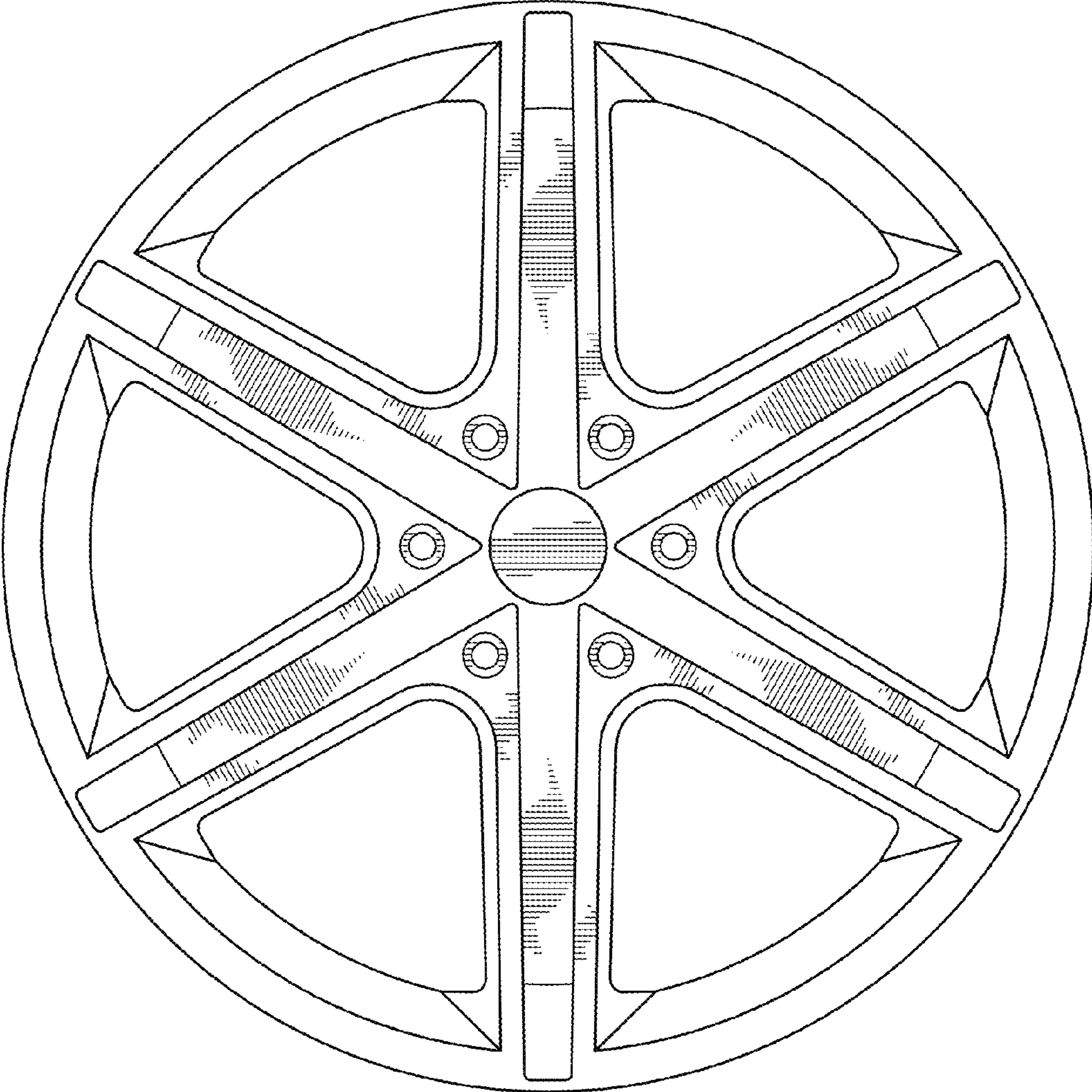


FIG. 3

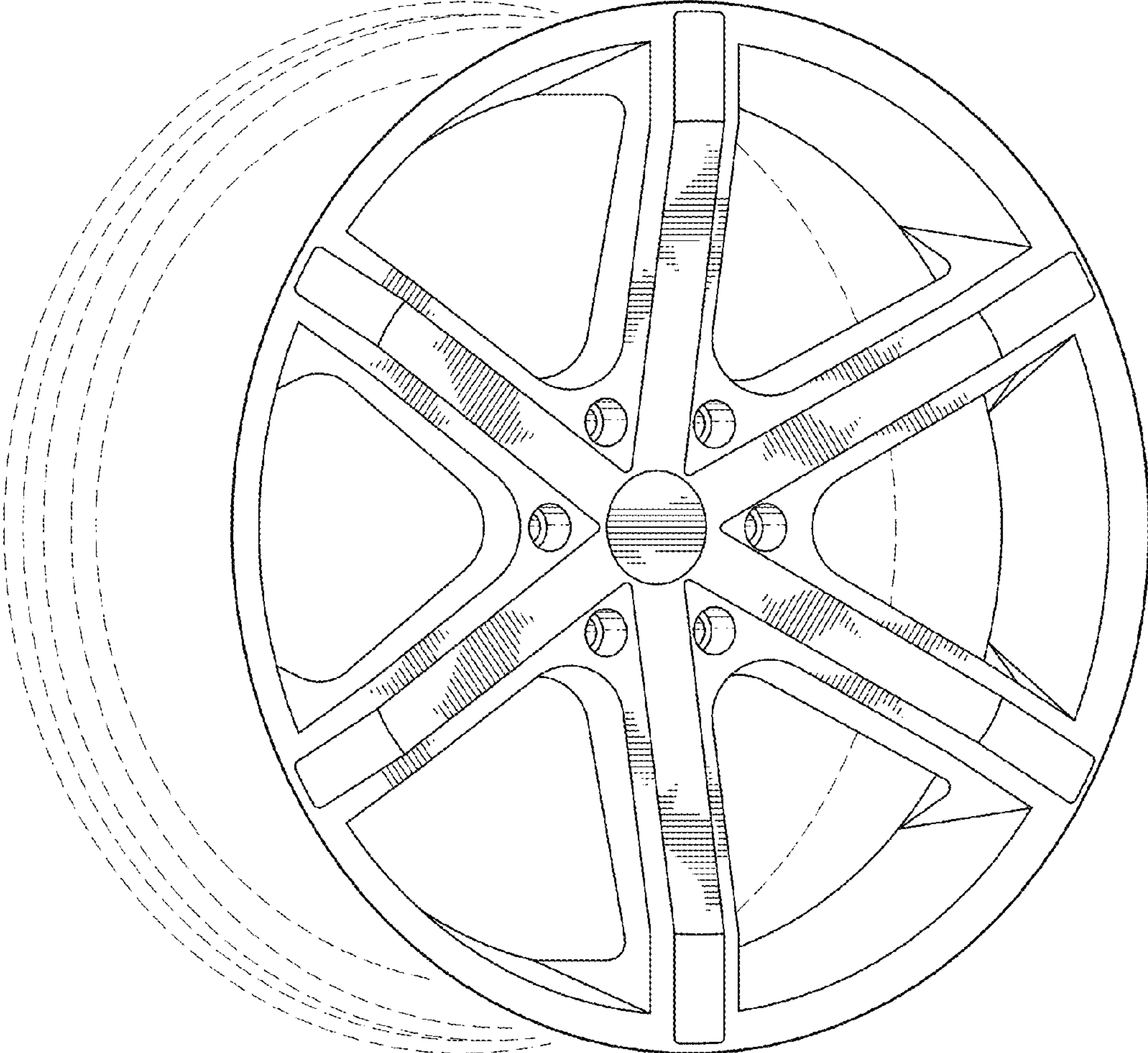


FIG. 4