



US00D682764S

(12) **United States Design Patent**
Amezket

(10) **Patent No.:** **US D682,764 S**

(45) **Date of Patent:** **** May 21, 2013**

(54) **WHEEL OR WHEEL COVER**

(75) **Inventor:** **Eneko Amezket**, Munich (DE)

(73) **Assignee:** **Bayerische Motoren Werke Aktiengesellschaft**, Munich (DE)

(**) **Term:** **14 Years**

(21) **Appl. No.:** **29/417,642**

(22) **Filed:** **Apr. 6, 2012**

(30) **Foreign Application Priority Data**

Oct. 7, 2011 (DE) 402011005029

(51) **LOC (9) Cl.** **12-16**

(52) **U.S. Cl.**
USPC **D12/211**

(58) **Field of Classification Search** D12/204-213;
301/37.101, 64.101, 65, 64.201
See application file for complete search history.

(56) **References Cited**

U.S. PATENT DOCUMENTS

D499,685 S	12/2004	Schaefer	
D516,982 S *	3/2006	Gallert	D12/209
D521,438 S	5/2006	Nordmann	
D522,434 S *	6/2006	Langer	D12/209
D537,026 S	2/2007	Nordmann	
D558,118 S *	12/2007	Hueller	D12/211
D562,207 S *	2/2008	Pfeiffer	D12/211
D589,428 S *	3/2009	Scheu	D12/211
D590,319 S *	4/2009	Juergens et al.	D12/211
D594,801 S *	6/2009	Imai	D12/211
D621,765 S *	8/2010	Baum	D12/209
D625,235 S *	10/2010	Nissl	D12/209

D625,675 S *	10/2010	Juergens et al.	D12/209
D627,287 S *	11/2010	Gallert	D12/209
D631,816 S *	2/2011	Foose	D12/211
D644,155 S *	8/2011	Truebsbach	D12/209
D644,977 S *	9/2011	Juergens et al.	D12/211
D645,389 S *	9/2011	Nissl	D12/209
D650,315 S *	12/2011	Juergens et al.	D12/211
D660,763 S *	5/2012	Chan	D12/209
D660,768 S *	5/2012	De Bono	D12/211
D666,952 S *	9/2012	Pollmann	D12/209
D671,059 S *	11/2012	Pollmann	D12/209
D673,104 S *	12/2012	Lemke	D12/211

FOREIGN PATENT DOCUMENTS

EM	000032438-0005	10/2003
EM	000106513-0004	12/2004
EM	000440813-0005	1/2006
EM	000883715-0002	4/2008

* cited by examiner

Primary Examiner — Stacia Cadmus

(74) *Attorney, Agent, or Firm* — Crowell & Moring LLP

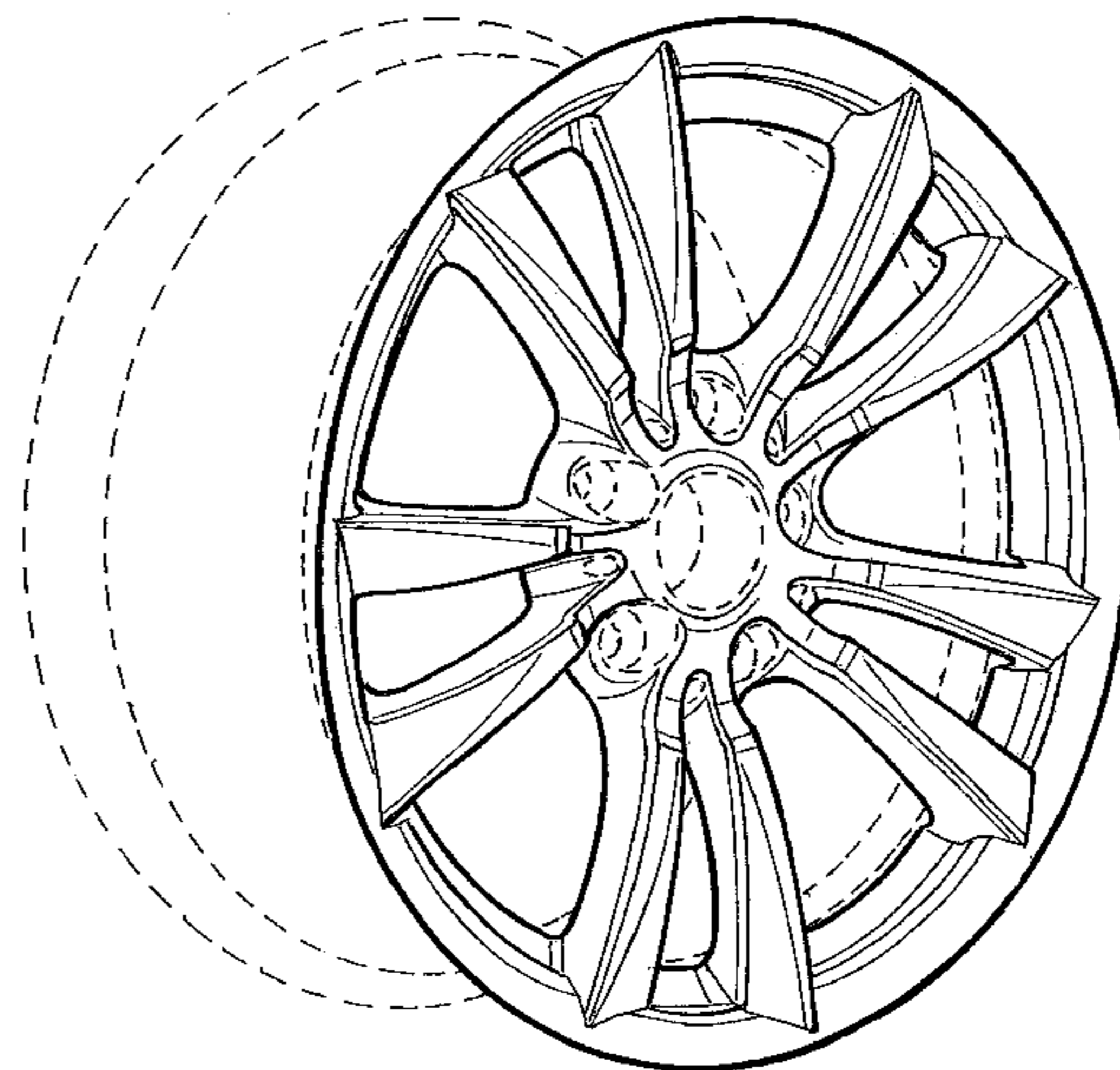
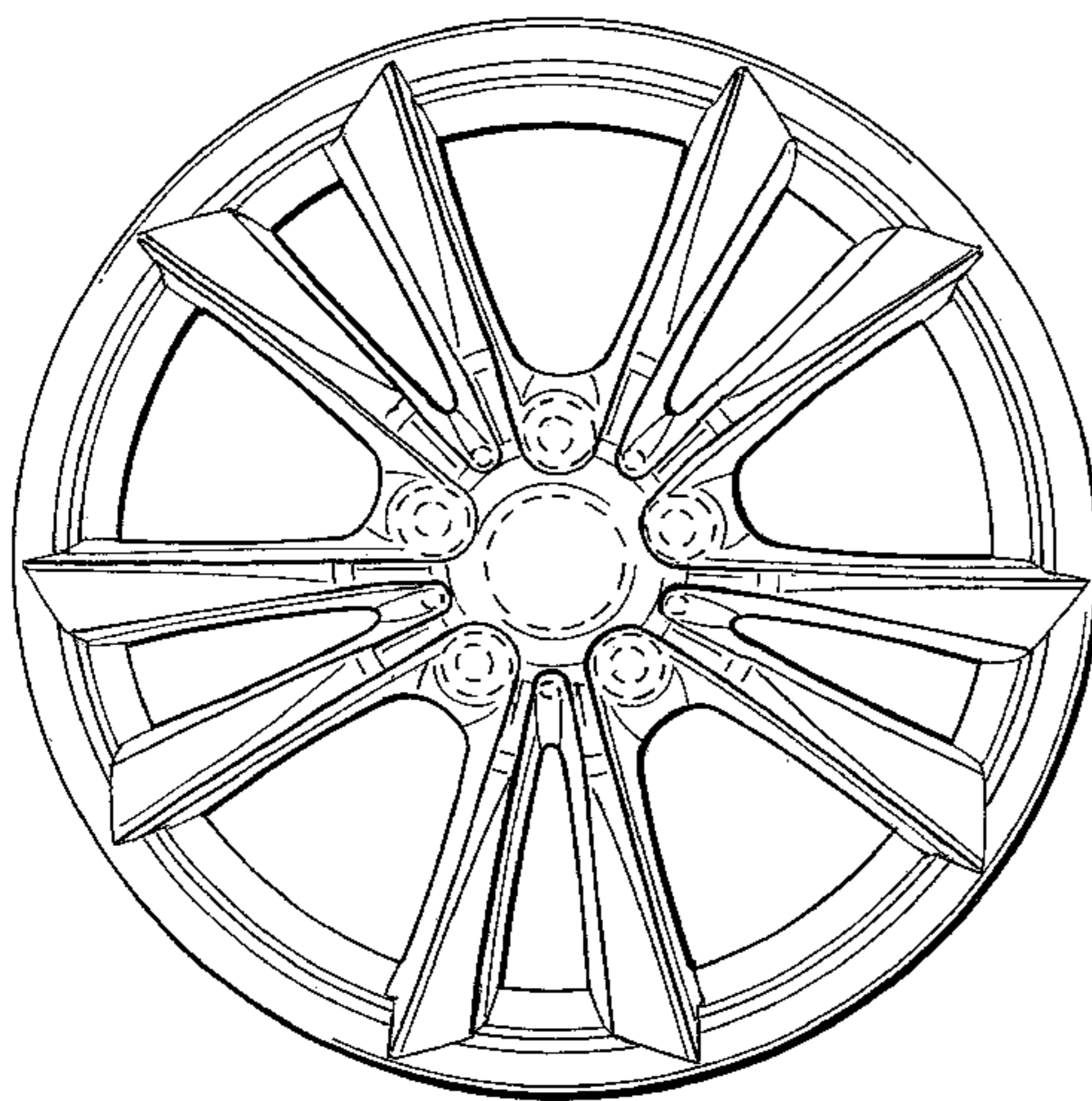
(57) **CLAIM**

The ornamental design for a wheel or wheel cover, as shown and described.

DESCRIPTION

FIG. 1 is a front view of a wheel or wheel cover according to my design; and,
FIG. 2 is a perspective view thereof.
The broken line showing of the rear of the wheel and the bolt holes and center opening in the central hub area is included for the purpose of illustrating environment and forms no part of the claimed design.

1 Claim, 1 Drawing Sheet



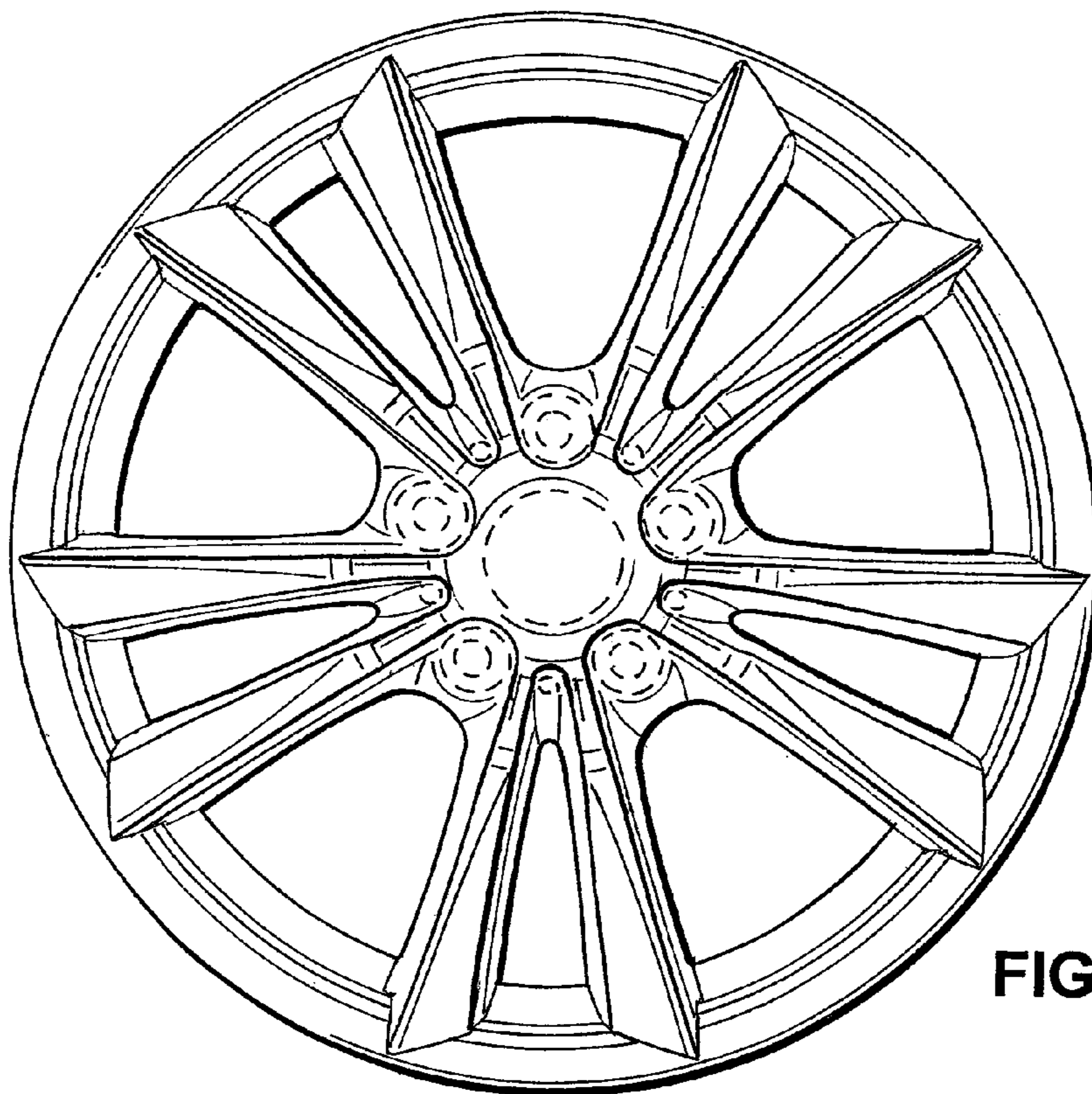


FIG. 1

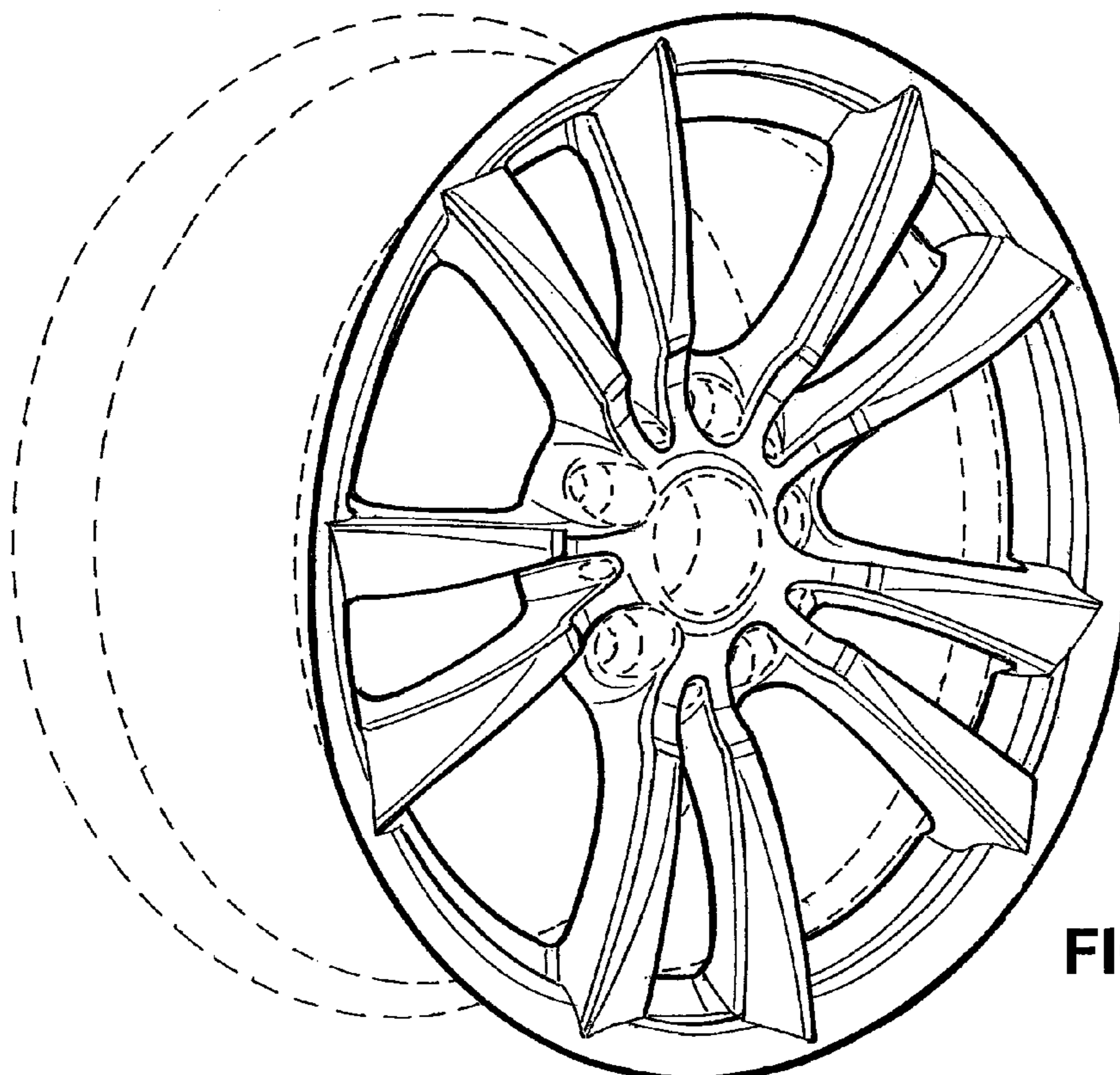


FIG. 2