



US00D682762S

(12) **United States Design Patent**
Hale, Jr.

(10) **Patent No.:** **US D682,762 S**
(45) **Date of Patent:** **** May 21, 2013**

(54) **SPOKE SEGMENT OF A VEHICLE WHEEL**

(71) Applicant: **Mobile Hi-Tech Wheels**, Rancho Dominguez, CA (US)

(72) Inventor: **Arthur D. Hale, Jr.**, Long Beach, CA (US)

(73) Assignee: **Mobile Hi-Tech Wheels**, Rancho Dominguez, CA (US)

(**) Term: **14 Years**

(21) Appl. No.: **29/435,816**

(22) Filed: **Oct. 29, 2012**

(51) **LOC (9) Cl.** **12-16**

(52) **U.S. Cl.**
USPC **D12/209; D12/213**

(58) **Field of Classification Search** D12/204-213;
301/37.101, 64.101, 65, 64.201
See application file for complete search history.

(56) **References Cited**

U.S. PATENT DOCUMENTS

D579,845 S * 11/2008 Chung D12/209
D584,673 S * 1/2009 Chung D12/209

D638,763 S * 5/2011 Chung D12/209
D639,223 S * 6/2011 Johnson D12/209
D649,101 S * 11/2011 Hale, Jr. D12/209
D649,107 S * 11/2011 Hale, Jr. D12/211
D666,955 S * 9/2012 Chung D12/209
D670,222 S * 11/2012 Chung D12/209

* cited by examiner

Primary Examiner — Stacia Cadmus

(74) *Attorney, Agent, or Firm* — Christie, Parker & Hale, LLP

(57) **CLAIM**

The ornamental design for spoke segment of a vehicle wheel, as shown and described.

DESCRIPTION

FIG. 1 is a perspective view of a spoke segment of a vehicle wheel according to my new design; and, FIG. 2 is a front elevational view thereof.

The broken line showing the rear of the wheel and the round elements on the lip of the rim is included for the purpose of illustrating environment and forms no part of the of the claimed design. The dash dot line on either side of the spoke segment is for the purpose of illustrating the boundary of the claimed design and forms no part thereof.

1 Claim, 2 Drawing Sheets

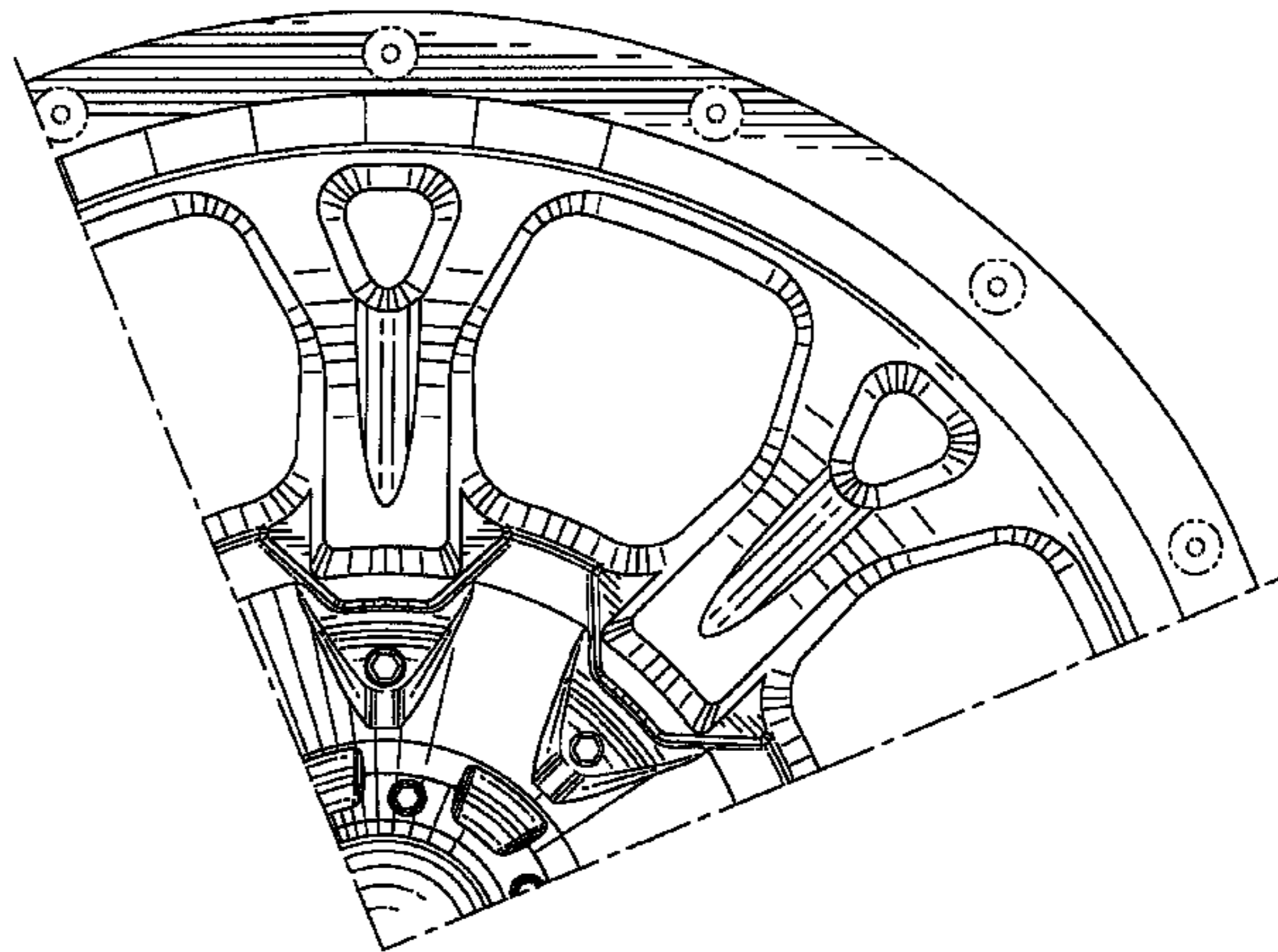
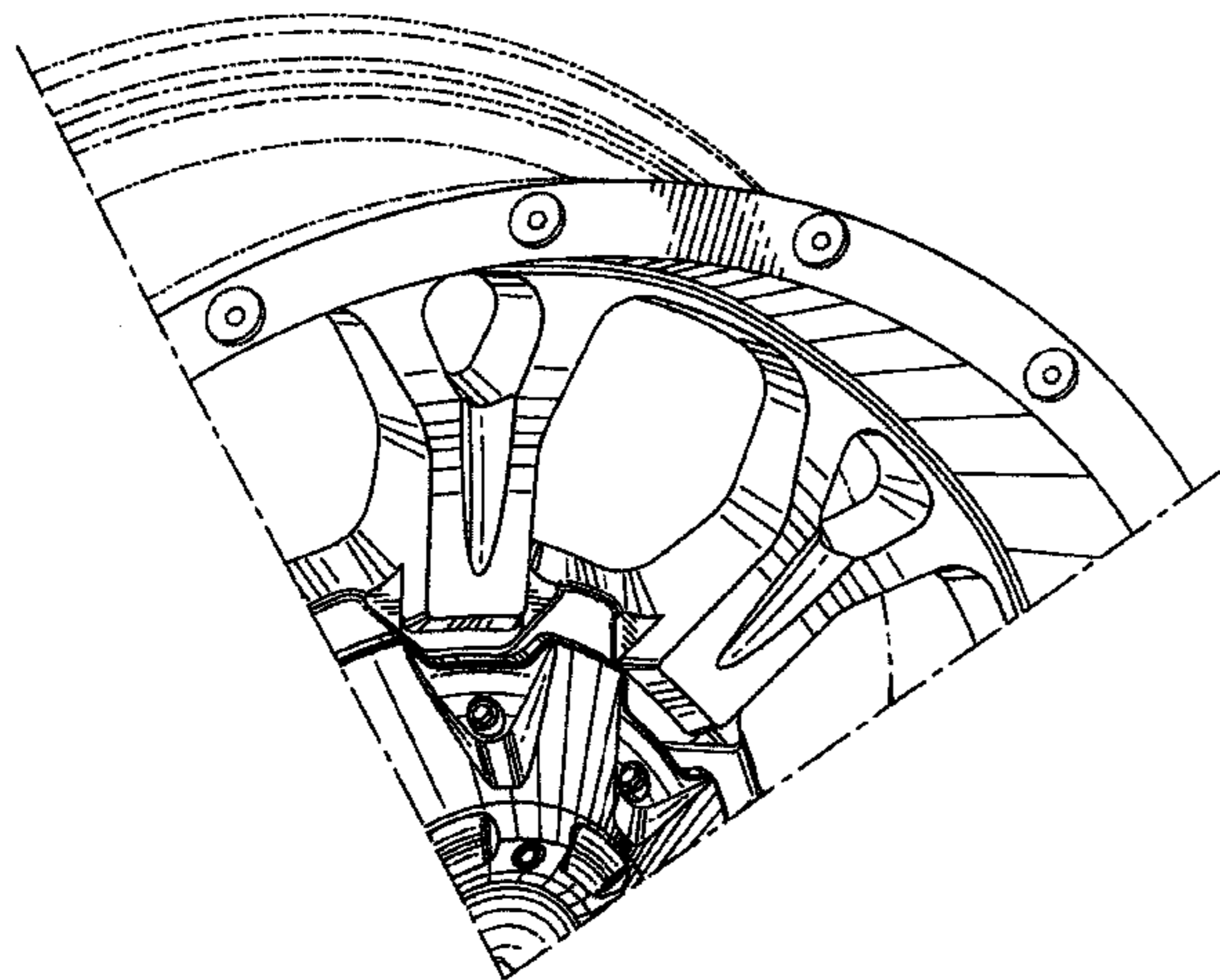


FIG. 1

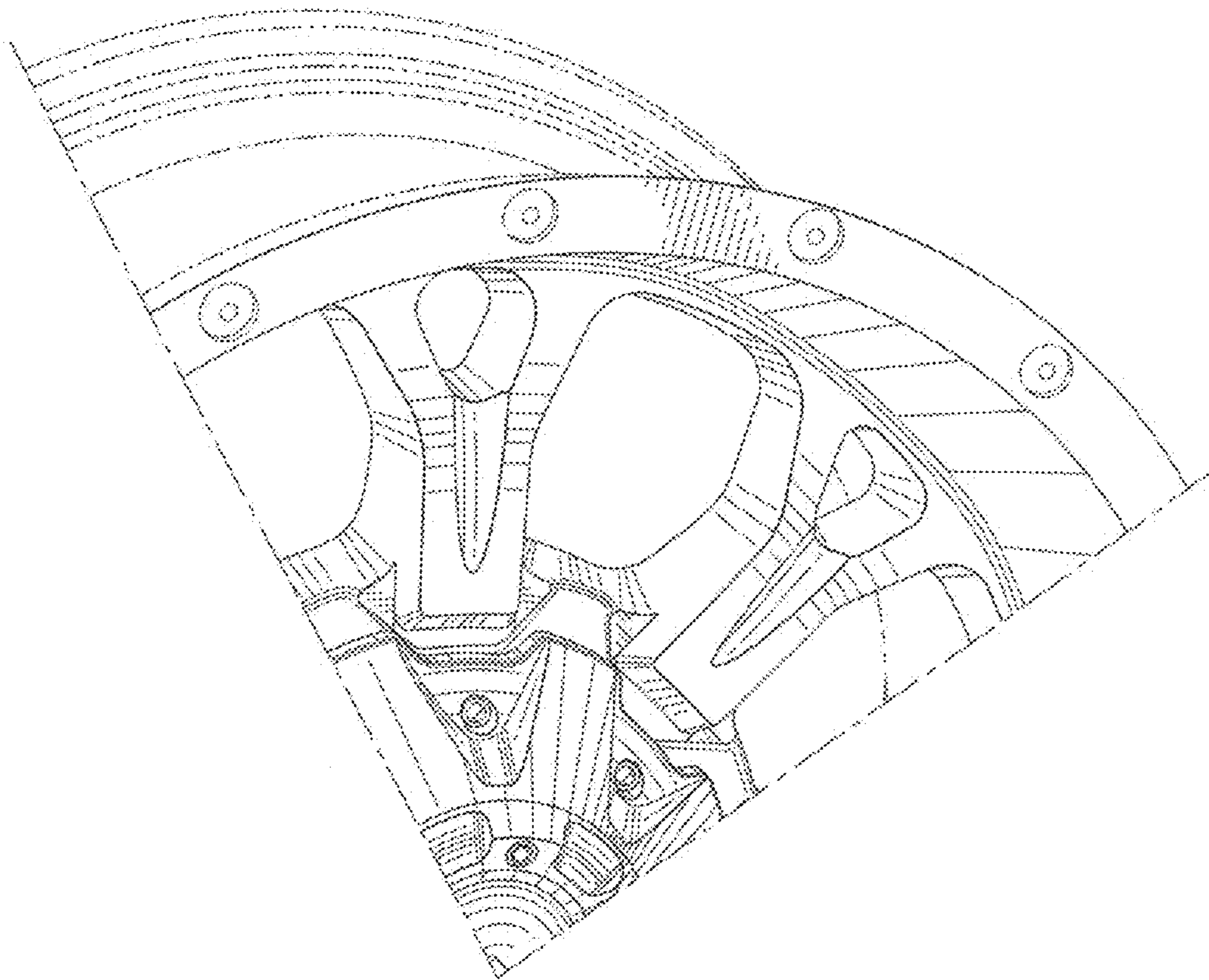


FIG. 2

