



US00D682761S

(12) **United States Design Patent**
Pollmann

(10) **Patent No.:** **US D682,761 S**

(45) **Date of Patent:** **** May 21, 2013**

(54) **WHEEL OR WHEEL COVER**

(75) Inventor: **Gert Pollmann**, Boehmfeld (DE)

(73) Assignee: **Bayerische Motoren Werke Aktiengesellschaft**, Munich (DE)

(**) Term: **14 Years**

(21) Appl. No.: **29/417,653**

(22) Filed: **Apr. 6, 2012**

(30) **Foreign Application Priority Data**

Oct. 7, 2011 (DE) 402011005029

(51) **LOC (9) Cl.** **12-16**

(52) **U.S. Cl.**
USPC **D12/209**

(58) **Field of Classification Search** D12/204-213;
301/37.101, 64.101, 65, 64.201
See application file for complete search history.

(56) **References Cited**

U.S. PATENT DOCUMENTS

D390,822 S *	2/1998	Neeper	D12/209
D396,444 S *	7/1998	Neeper	D12/209
D399,811 S *	10/1998	Echazabal	D12/209
D400,154 S *	10/1998	Noriega	D12/209
D405,043 S *	2/1999	Moreno	D12/209
D416,531 S	11/1999	Gabath	
D419,943 S *	2/2000	Roesianto	D12/209
D430,842 S *	9/2000	Chinellato	D12/209
D435,004 S *	12/2000	Noriega	D12/209
D492,235 S	6/2004	Nordmann	

D567,167 S	4/2008	Forster	
D594,800 S *	6/2009	Blasi D12/209
D612,788 S *	3/2010	Junker D12/209
D619,524 S	7/2010	Gabath	
D639,225 S	6/2011	Forschner	
D669,833 S *	10/2012	Pollmann D12/209
D671,475 S *	11/2012	Juergens et al. D12/209

FOREIGN PATENT DOCUMENTS

DE	M8908658.9	8/1990
DE	M9805818.5	2/1999
DE	40104441.6	9/2001
EM	000735758-0006	7/2007
EM	001049324-0002	9/2009
EM	001036552-0002	11/2009
EM	001635897-0003	10/2010
EM	001772922-0014	10/2010

* cited by examiner

Primary Examiner — Stacia Cadmus

(74) *Attorney, Agent, or Firm* — Crowell & Moring LLP

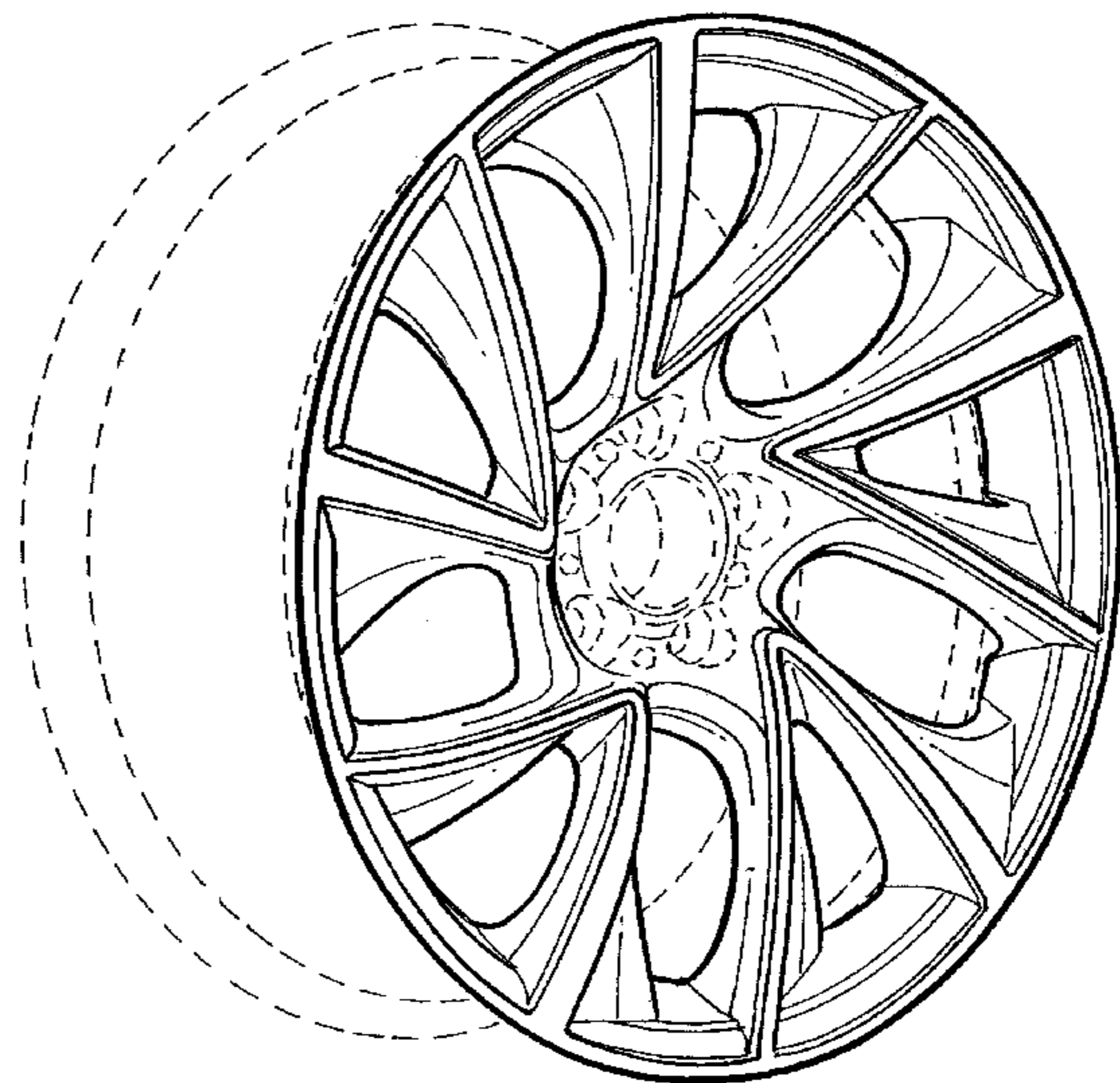
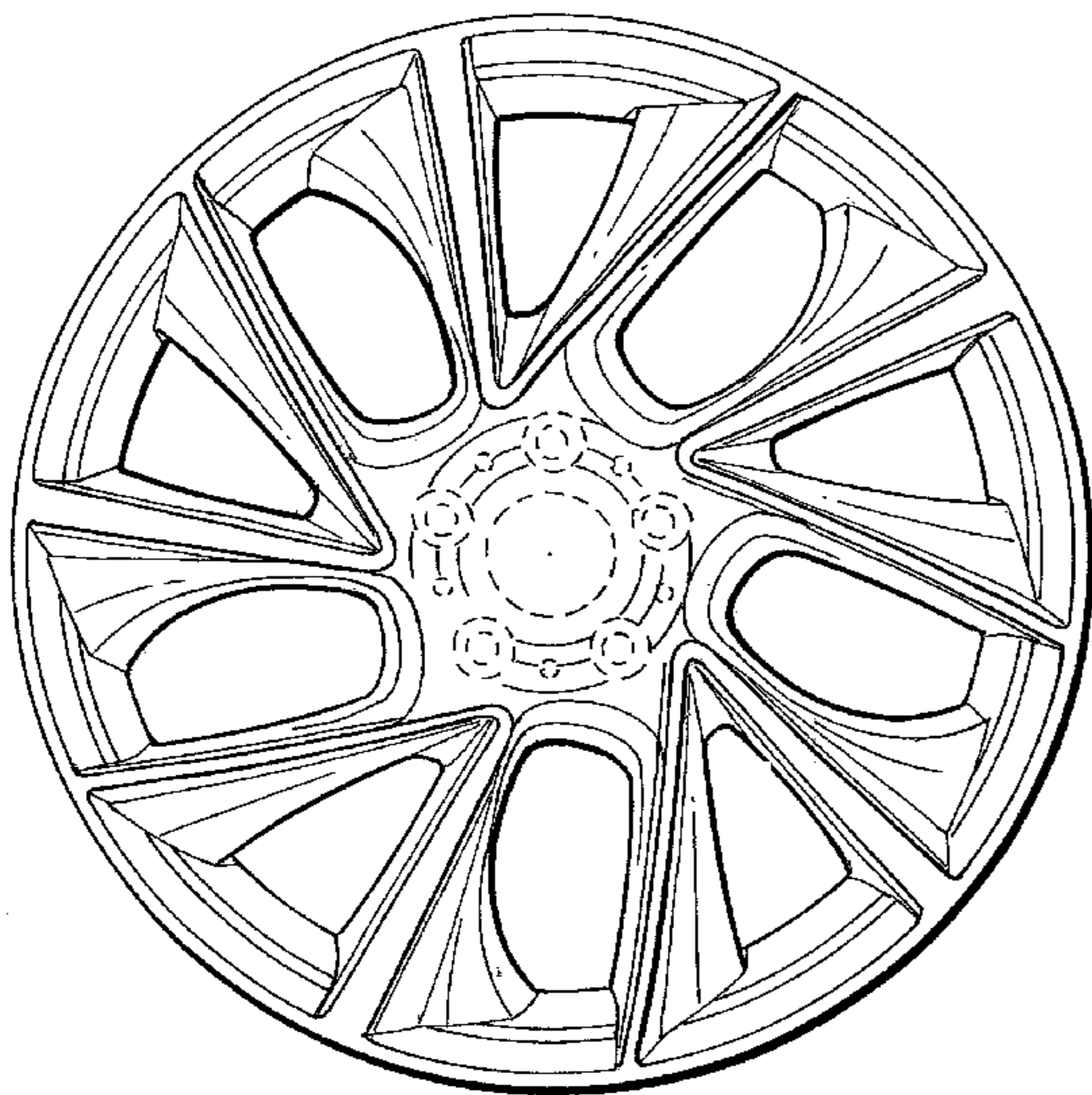
(57) **CLAIM**

The ornamental design for a wheel or wheel cover, as shown and described.

DESCRIPTION

FIG. 1 is a front view of a wheel or wheel cover according to my design; and,
FIG. 2 is a perspective view thereof.
The broken line showing of the rear of the wheel and the bolt holes and center opening in the central hub area is included for the purpose of illustrating environment and forms no part of the claimed design.

1 Claim, 1 Drawing Sheet



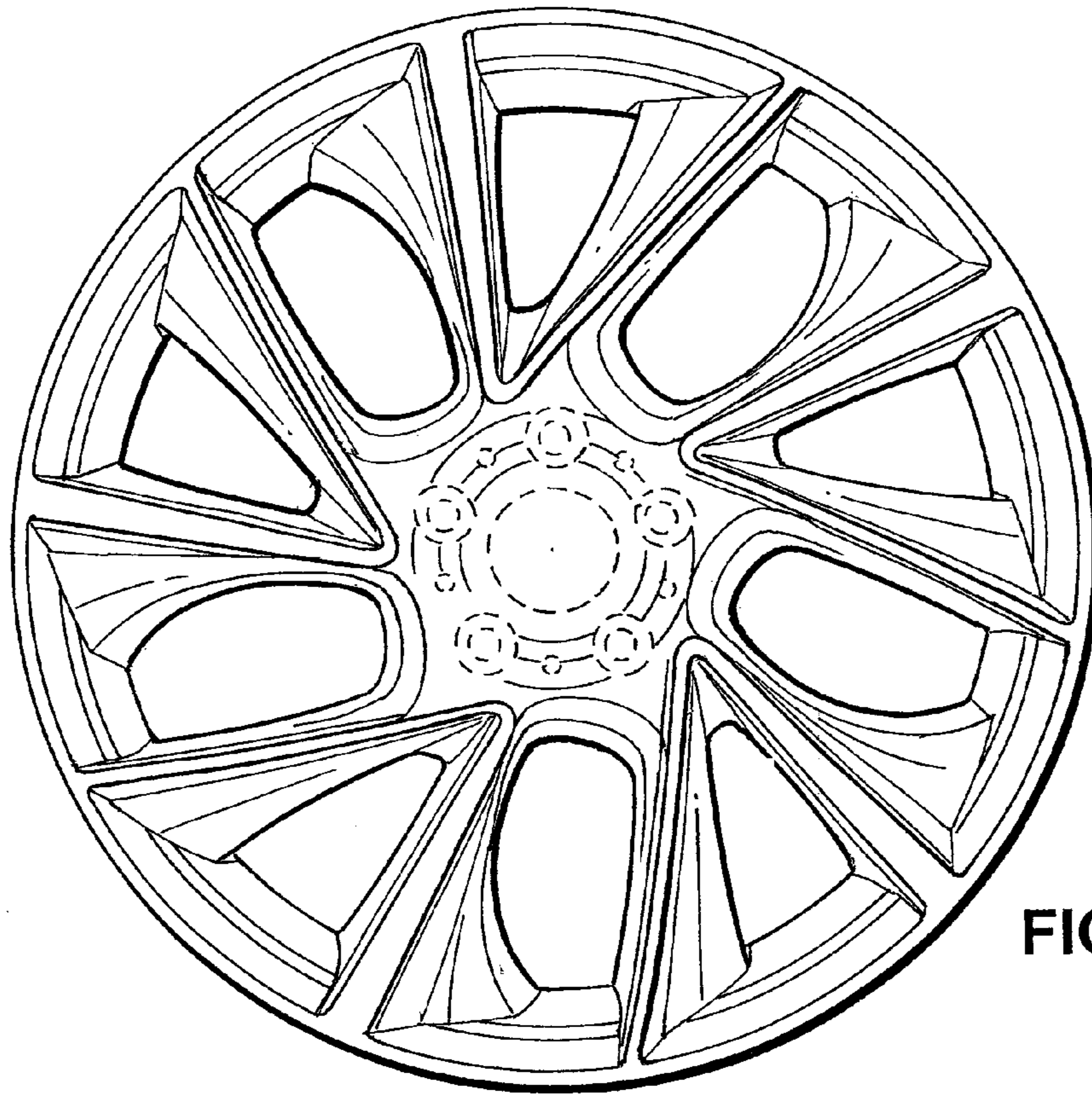


FIG. 1

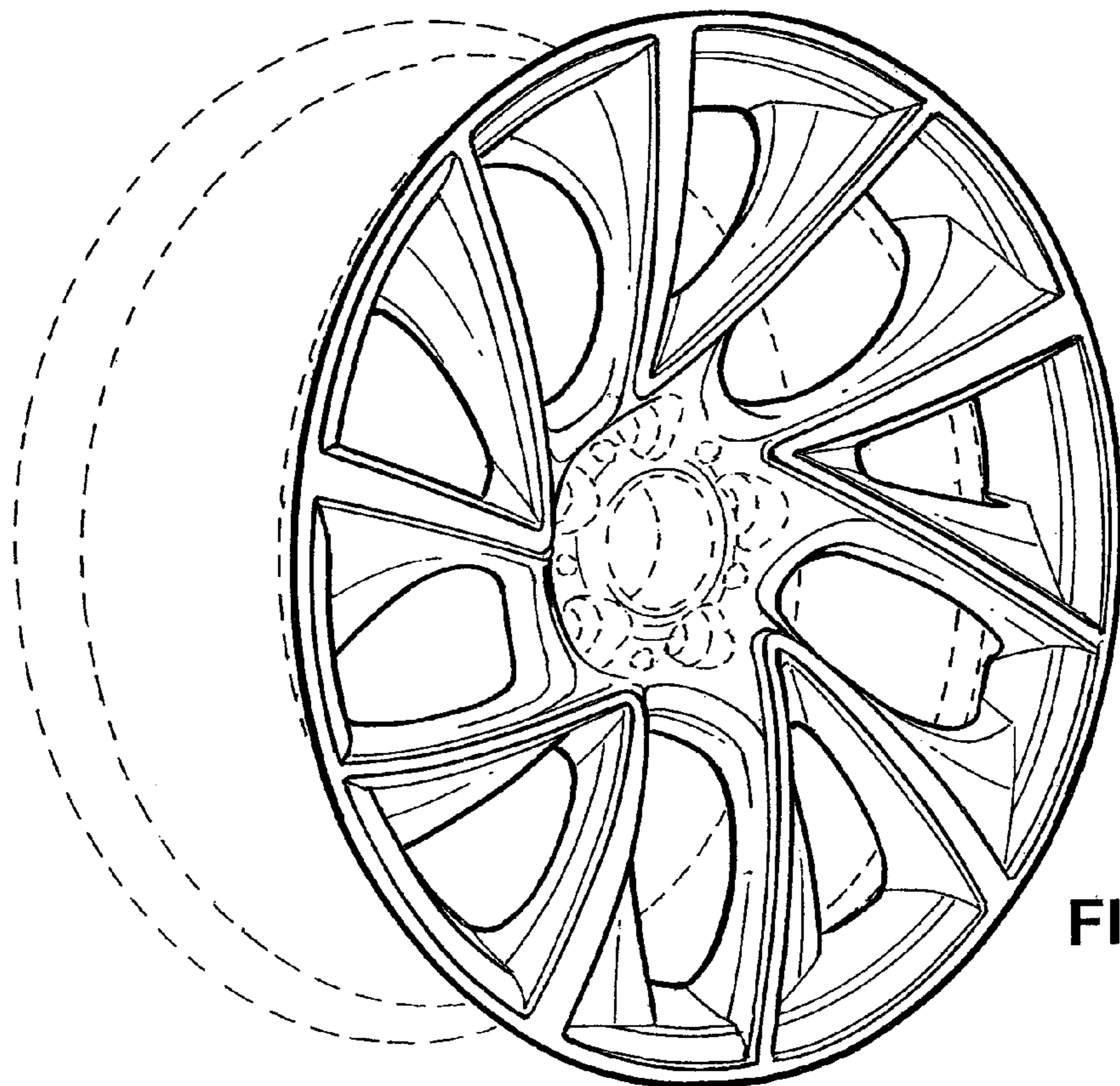


FIG. 2