



US00D682759S

(12) **United States Design Patent**
Oliver

(10) **Patent No.:** **US D682,759 S**

(45) **Date of Patent:** **** May 21, 2013**

(54) **SUV CONVERSION KIT**

(75) Inventor: **Richard D. Oliver**, Grosse Ile, MI (US)

(73) Assignee: **Michigan Vehicle Solutions**, Southgate, MI (US)

(**) Term: **14 Years**

(21) Appl. No.: **29/417,183**

(22) Filed: **Mar. 30, 2012**

(51) **LOC (9) Cl.** **12-16**

(52) **U.S. Cl.**
USPC **D12/196; D12/93; D12/98**

(58) **Field of Classification Search** D12/93,
D12/98, 196, 221, 401; 296/26, 39.1, 39.2,
296/50, 51, 57.1, 181.3, 183.1

See application file for complete search history.

(56) **References Cited**

U.S. PATENT DOCUMENTS

| | | | | | |
|-----------|------|---------|------------------|-------|-----------|
| D259,928 | S * | 7/1981 | Weis et al. | | D12/221 |
| 4,693,507 | A * | 9/1987 | Dresen et al. | | 296/39.2 |
| D301,572 | S * | 6/1989 | McKinnon | | D12/196 |
| D379,439 | S * | 5/1997 | Bradley | | D12/98 |
| D382,232 | S * | 8/1997 | Hines et al. | | D12/98 |
| D407,044 | S * | 3/1999 | Aros et al. | | D12/98 |
| D411,487 | S * | 6/1999 | McDonald | | D12/98 |
| D414,137 | S * | 9/1999 | Aros et al. | | D12/98 |
| D414,139 | S * | 9/1999 | Aros et al. | | D12/98 |
| D424,493 | S * | 5/2000 | Waldeck | | D12/196 |
| D461,151 | S * | 8/2002 | Morris | | D12/196 |
| D466,451 | S * | 12/2002 | Trostle et al. | | D12/98 |
| D488,405 | S * | 4/2004 | Metros et al. | | D12/98 |
| D495,626 | S * | 9/2004 | Depeyster et al. | | D12/98 |
| D498,200 | S * | 11/2004 | Hall et al. | | D12/221 |
| D500,968 | S * | 1/2005 | Metros et al. | | D12/98 |
| 6,874,839 | B2 * | 4/2005 | Acker et al. | | 296/57.1 |
| D507,766 | S * | 7/2005 | McMahan et al. | | D12/91 |
| D517,449 | S * | 3/2006 | Depeyster et al. | | D12/98 |
| 7,152,910 | B2 * | 12/2006 | Kikuchi et al. | | 296/183.1 |

(Continued)

OTHER PUBLICATIONS

Jeep Gladiator; Wikipedia; http://en.wikipedia.org/wiki/Jeep_Gladiator; Oct. 17, 2012; 6 pages.

Lassa, Todd; Jeep's Moab Moment: Jeep JK8 Independence, Mopar Ram Runner, and More!; Motor Trend's Truck Trend; http://www.trucktrend.com/features/news/2011/163_1104_jeeps_moad_moment/index.html; Apr. 7, 2011; 5 pages.

Kaiser Jeep; Wikipedia; http://en.wikipedia.org/wiki/Kaiser_Jeep; Oct. 16, 2012; 2 pages.

Primary Examiner — Susan E Krakower

Assistant Examiner — John T Applewhite

(74) *Attorney, Agent, or Firm* — Dickinson Wright PLLC

(57) **CLAIM**

The ornamental design for the SUV conversion kit, as shown and described.

DESCRIPTION

FIG. 1 is a rear perspective view of the SUV conversion kit showing an exemplary SUV vehicle in phantom lines;

FIG. 2 is a right elevational view thereof with portions of the SUV being shown in phantom lines;

FIG. 3 is a left elevational view thereof with portions of the SUV being shown in phantom lines;

FIG. 4 is a rear elevational view thereof with portions of the SUV being shown in phantom lines;

FIG. 5 is a front elevational view thereof showing the SUV in an outline of phantom lines;

FIG. 6 is a top plan view thereof with portions of the SUV in phantom lines;

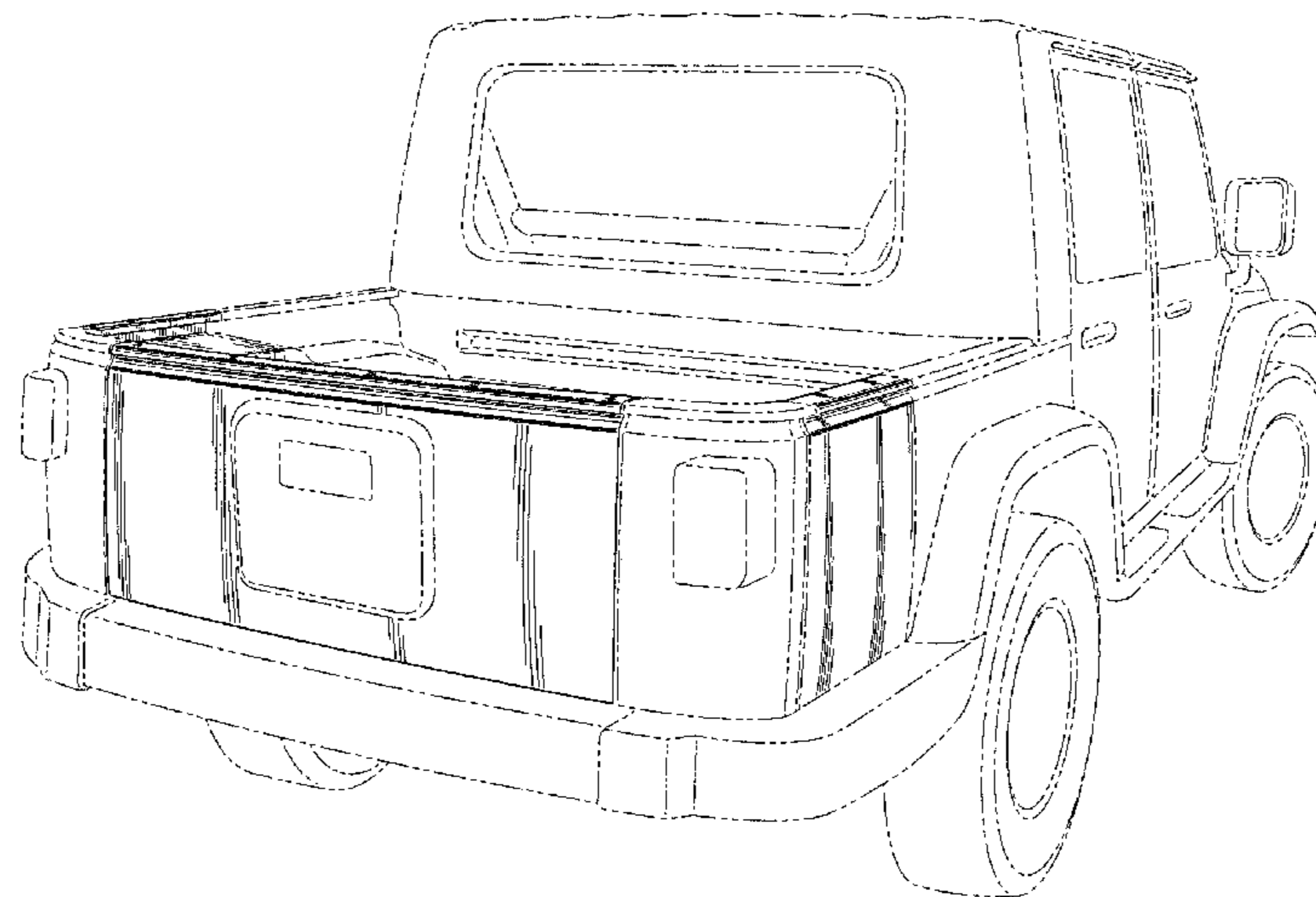
FIG. 7 is a bottom plan view thereof showing the outline in phantom lines;

FIG. 8 is a partial rear perspective view with portions of the SUV shown in phantom lines; and,

FIG. 9 is a rear elevational view thereof taken along lines 9-9 in FIG. 6 with portions of the SUV shown in phantom lines.

The broken phantom lines depict unclaimed subject matter only and form no part of the claimed design.

1 Claim, 7 Drawing Sheets



US D682,759 S

Page 2

U.S. PATENT DOCUMENTS

| | | | | | | | |
|--------------|---------|--------------------|---------|----------------|---------|-------------------|---------|
| D537,031 S * | 2/2007 | Hoy et al. | D12/401 | D586,699 S * | 2/2009 | Opfer et al. | D12/98 |
| D564,946 S * | 3/2008 | Kruger et al. | D12/98 | D600,601 S * | 9/2009 | Jung et al. | D12/164 |
| D579,382 S * | 10/2008 | Arnone et al. | D12/98 | 8,052,019 B2 * | 11/2011 | Plavetich | 224/403 |

* cited by examiner

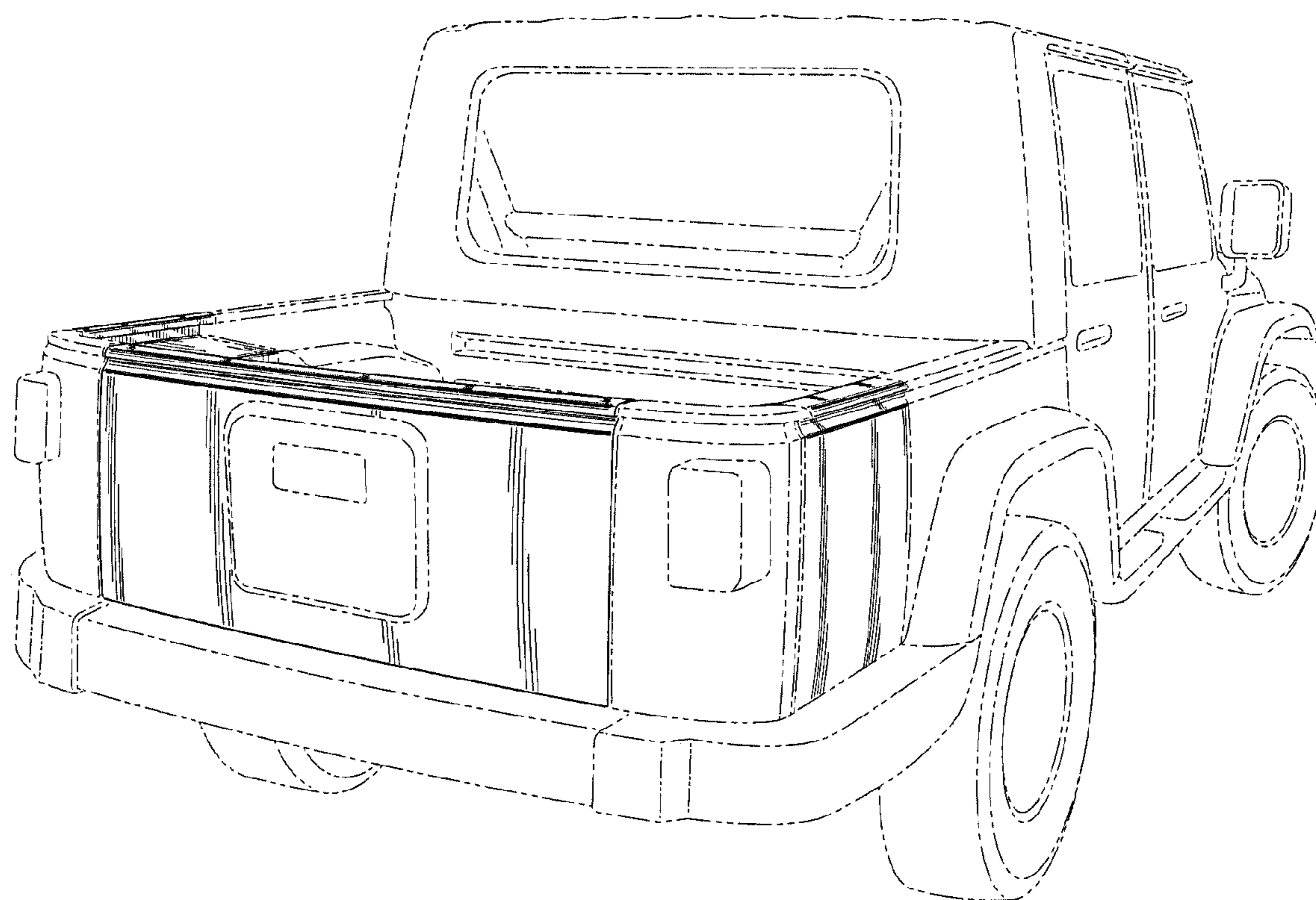


Fig. 1

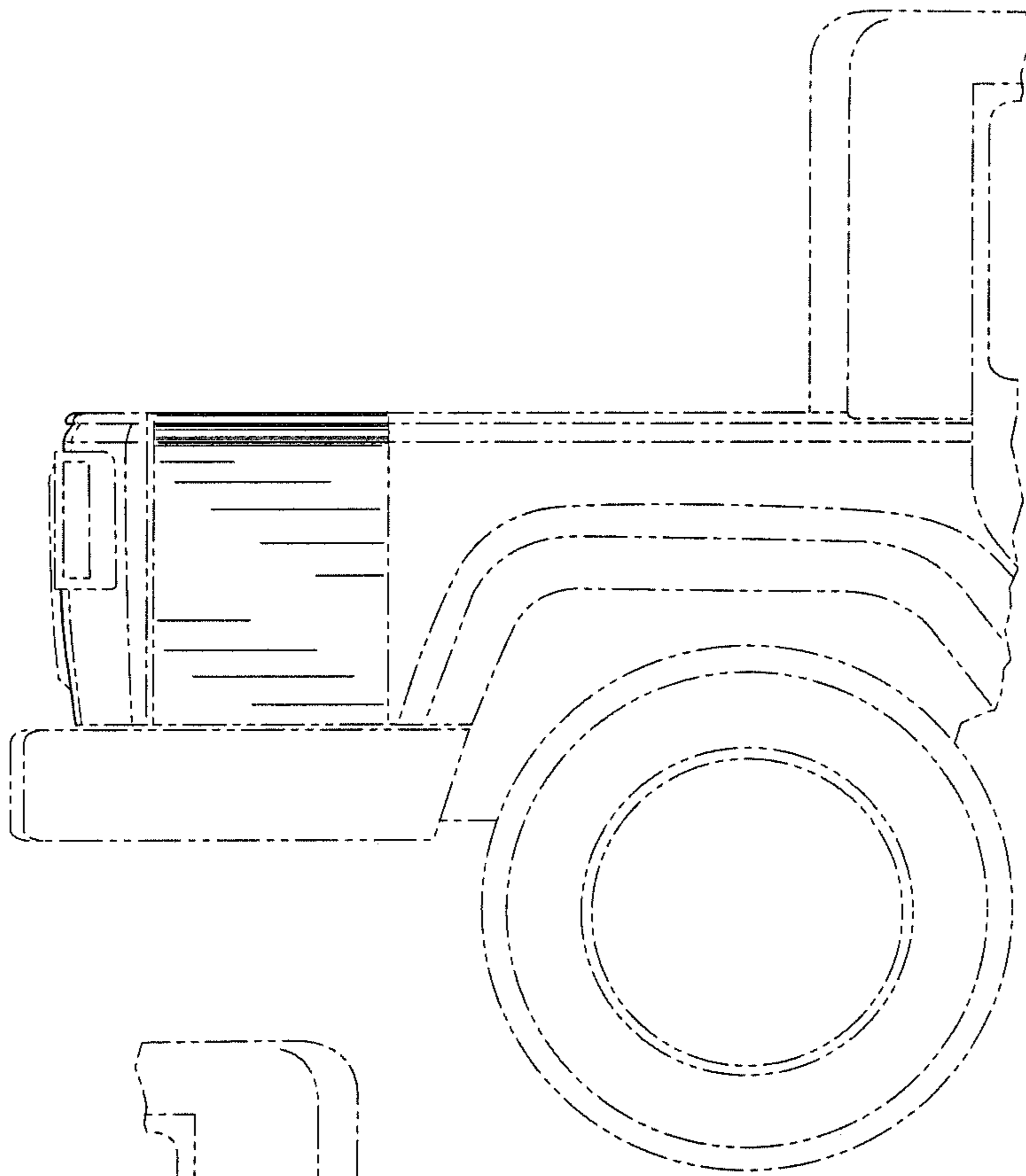


Fig. 2

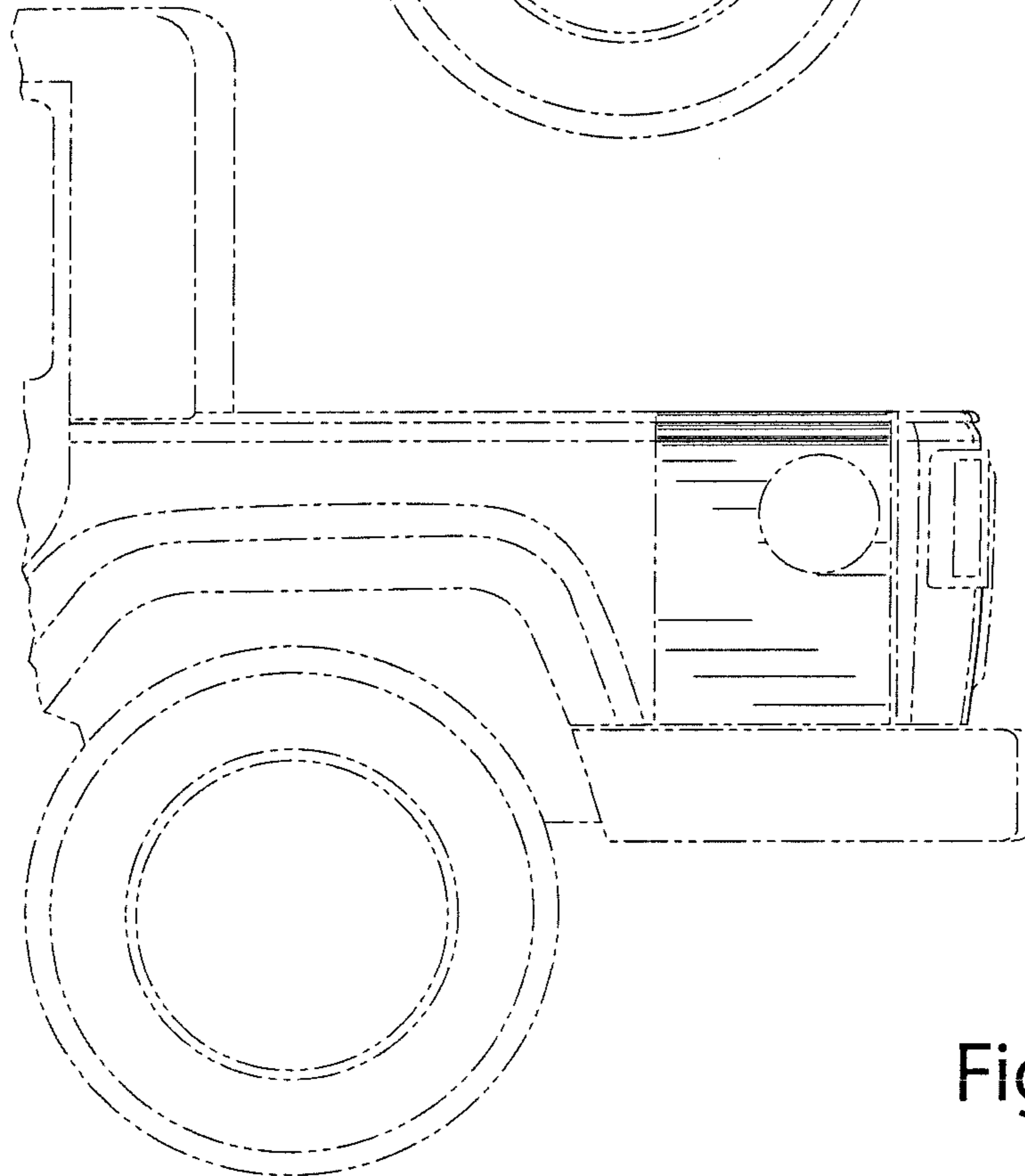


Fig. 3

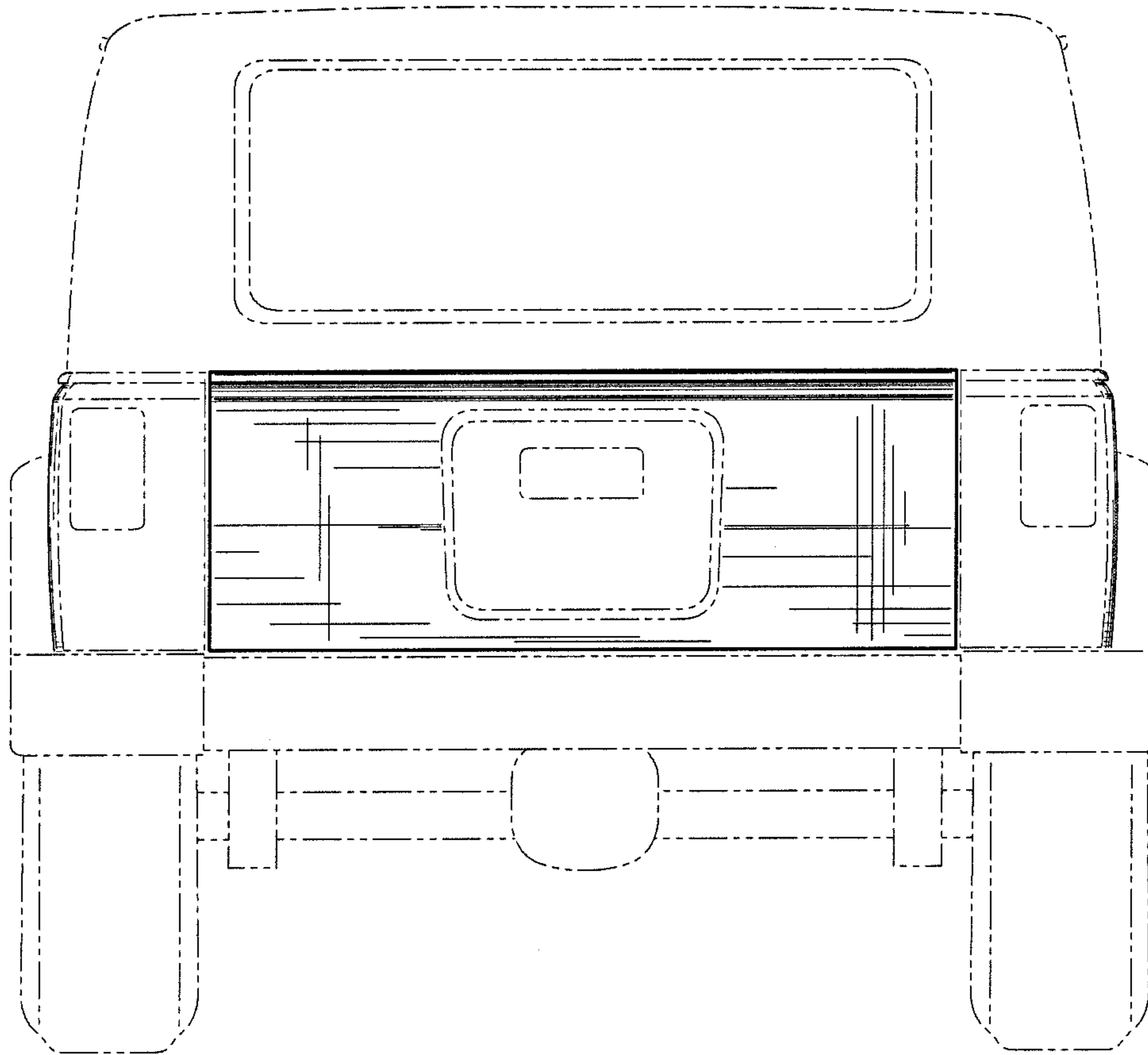


Fig. 4

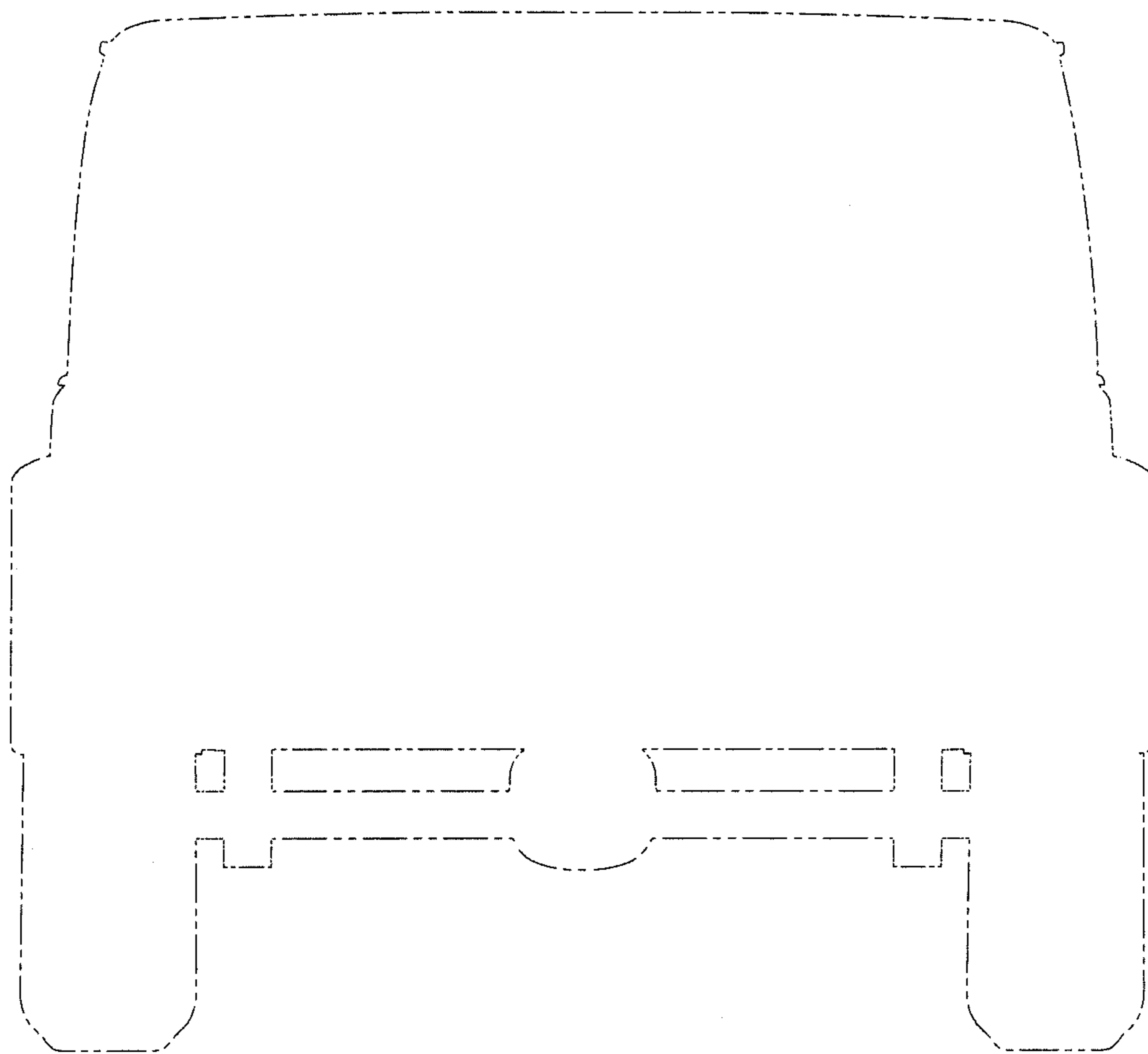


Fig. 5

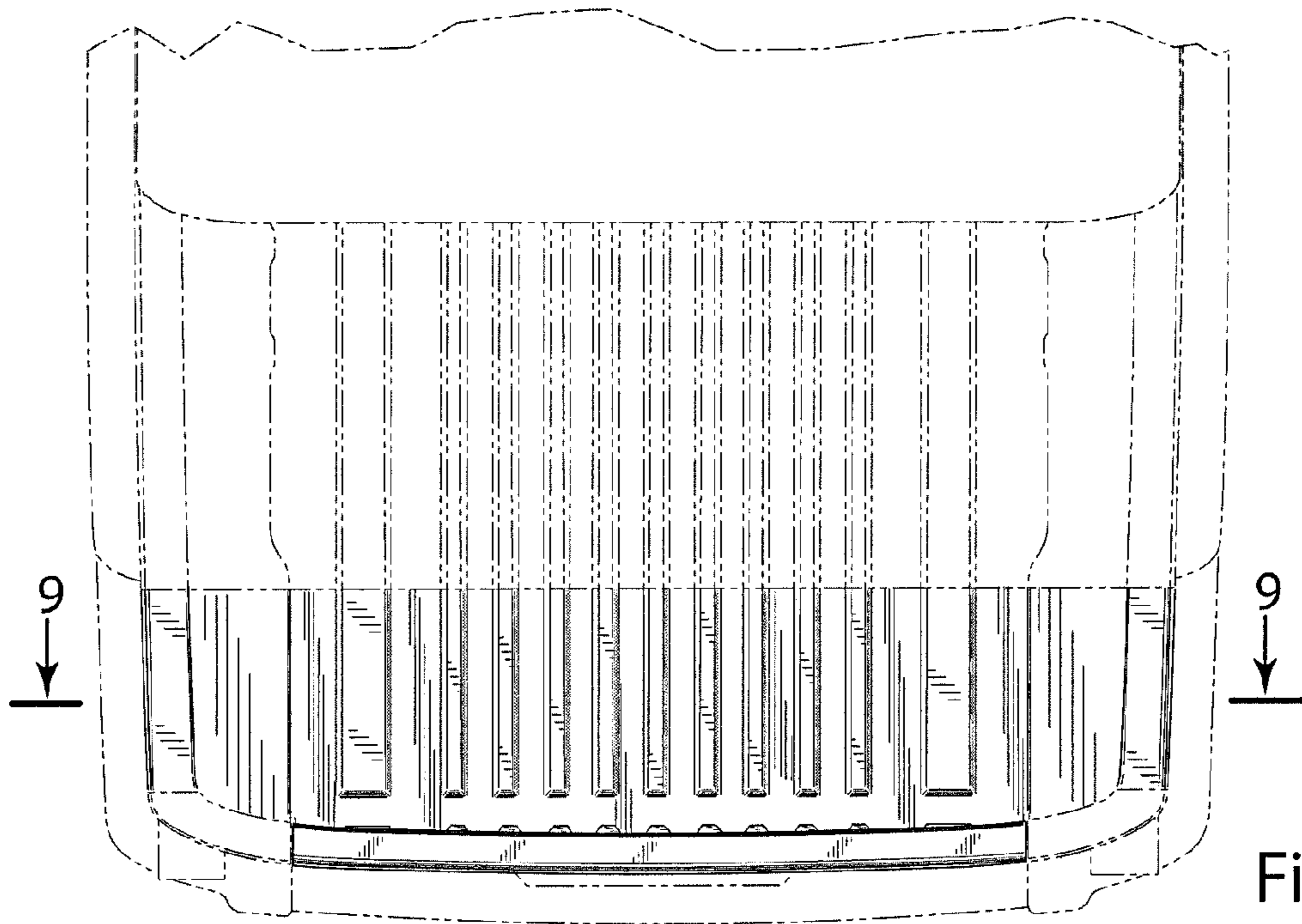


Fig. 6

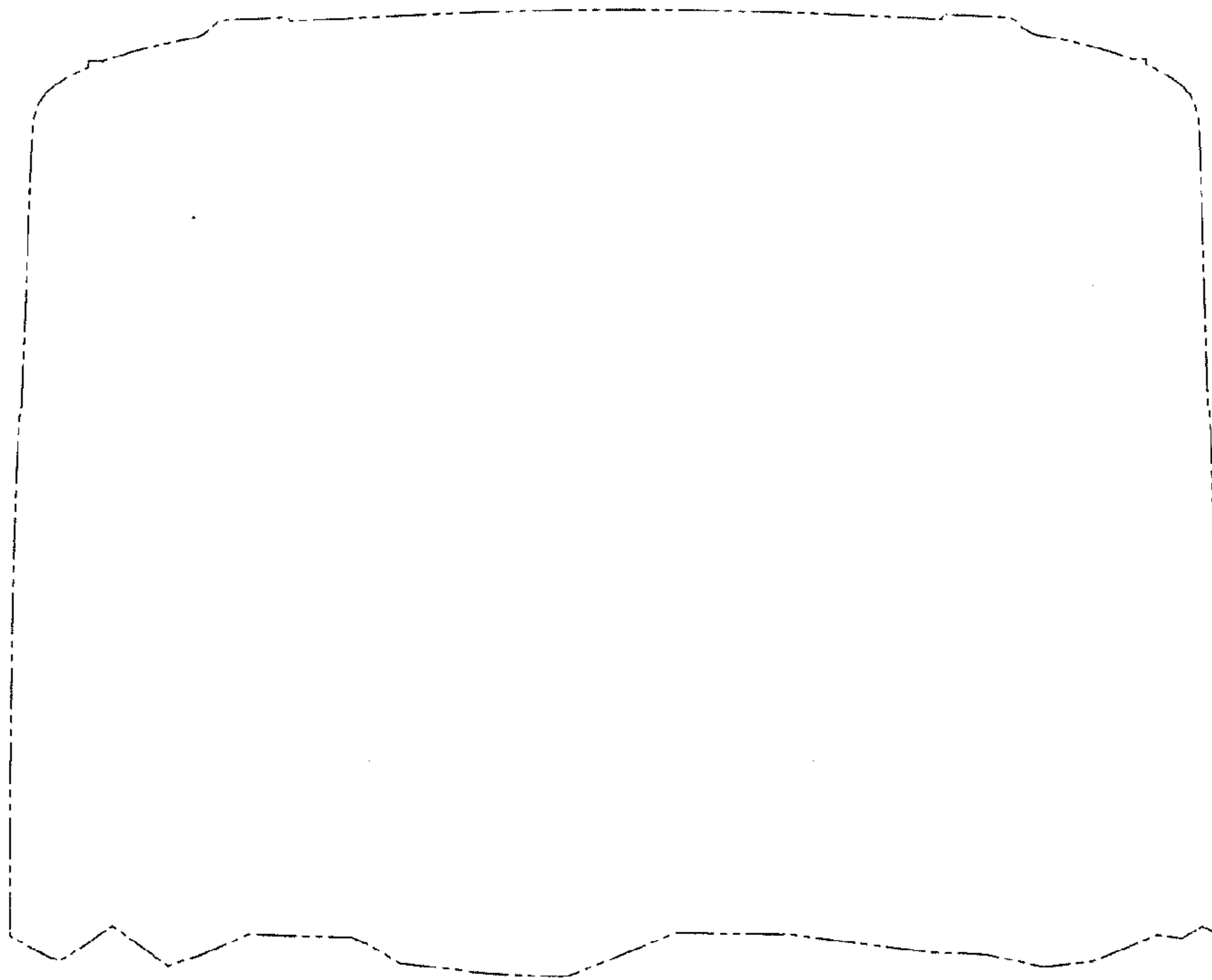


Fig. 7

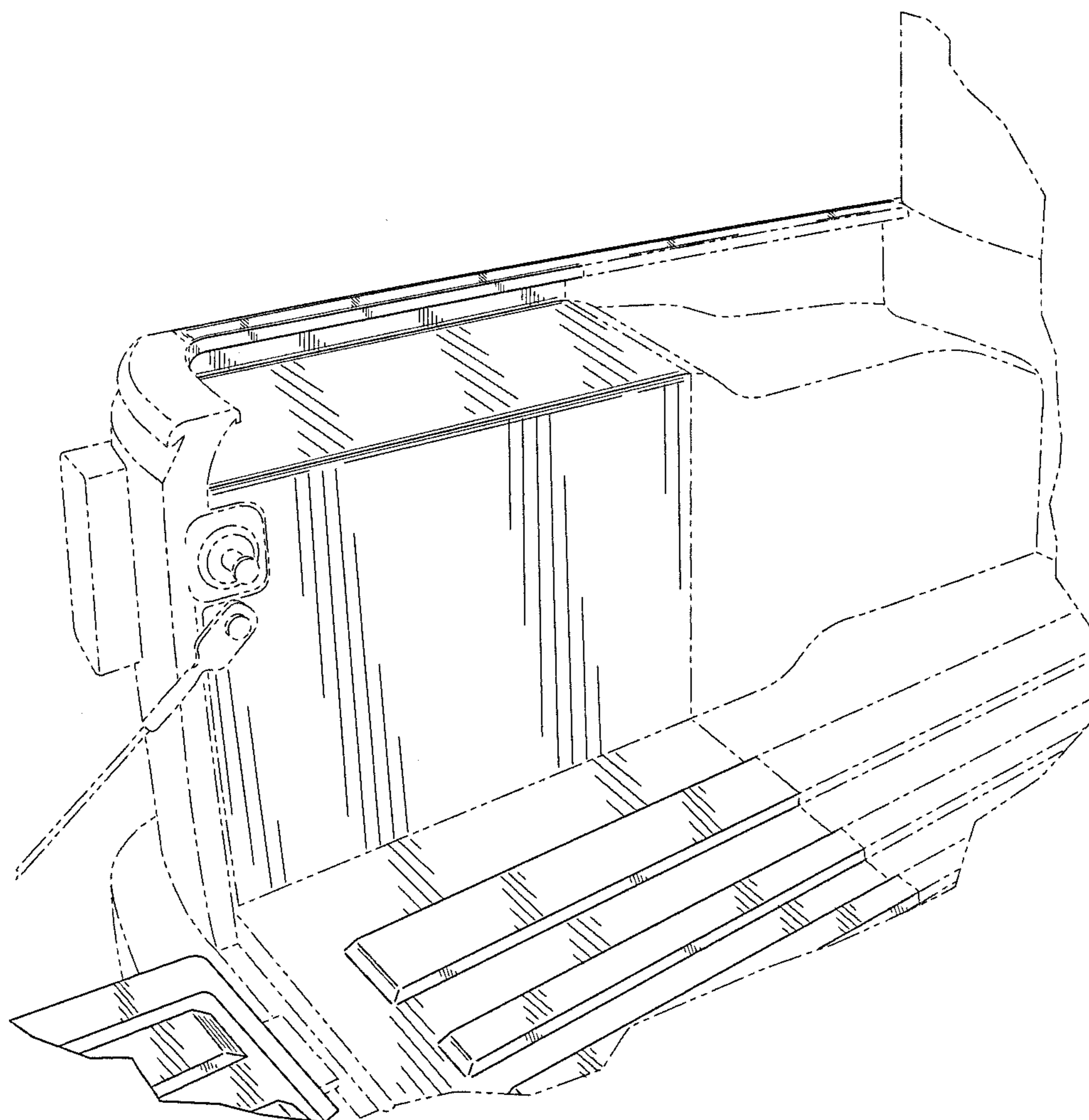


Fig. 8

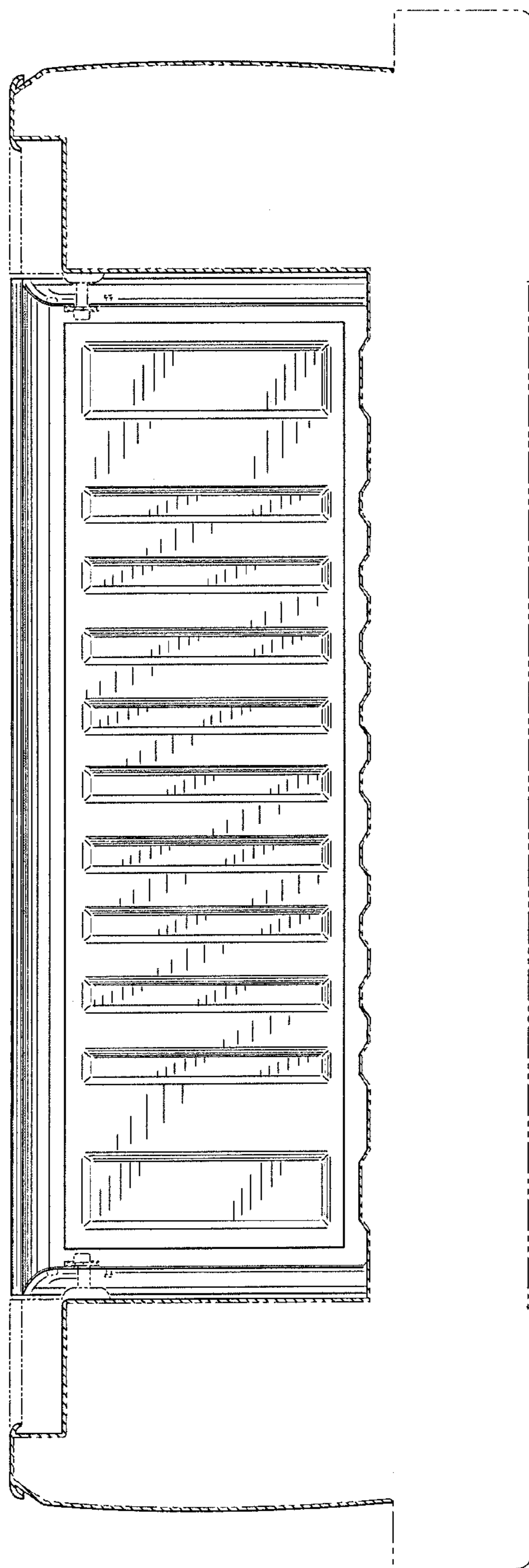


Fig. 9