



US00D682758S

(12) **United States Design Patent**
Oliver

(10) **Patent No.:** **US D682,758 S**

(45) **Date of Patent:** **** May 21, 2013**

(54) **REAR PANELS FOR A SUV CONVERSION KIT**

D515,462 S * 2/2006 Metros et al. D12/98
D517,449 S * 3/2006 Depeyster et al. D12/98
D526,247 S * 8/2006 White D12/98

(Continued)

(75) Inventor: **Richard D. Oliver**, Grosse Ile, MI (US)

OTHER PUBLICATIONS

(73) Assignee: **Michigan Vehicle Solutions**, Southgate, MI (US)

Jeep Gladiator; Wikipedia; http://en.wikipedia.org/wiki/Jeep_Gladiator; Oct. 17, 2012; 6 pages.

(**) Term: **14 Years**

Lassa, Todd; Jeep's Moab Moment: Jeep JK8 Independence, Mopar Ram Runner, and More!; Motor Trend's Truck Trend; http://www.trucktrend.com/features/news/2011/163_1104_jeeps_moab_moment/index.html; Apr. 7, 2011; 5 pages.

(21) Appl. No.: **29/417,171**

(Continued)

(22) Filed: **Mar. 30, 2012**

(51) **LOC (9) Cl.** **12-16**

Primary Examiner — Susan E Krakower

(52) **U.S. Cl.**

Assistant Examiner — John T Applewhite

USPC **D12/196**; D12/93

(74) *Attorney, Agent, or Firm* — Dickinson Wright PLLC

(58) **Field of Classification Search** D12/93,
D12/98, 196, 221, 401; 296/26, 39.1, 39.2,
296/50, 51, 57.1, 181.3, 183.1

(57) **CLAIM**

The ornamental design for the rear panels for SUV conversion kit, as shown and described.

See application file for complete search history.

DESCRIPTION

(56) **References Cited**

FIG. 1 is a rear perspective view of the outer rear quarter panels with portions of an exemplary SUV shown in phantom lines;

U.S. PATENT DOCUMENTS

D301,572 S *	6/1989	McKinnon	D12/196
D379,439 S *	5/1997	Bradley	D12/98
D382,232 S *	8/1997	Hines et al.	D12/98
D407,044 S *	3/1999	Aros et al.	D12/98
D424,493 S *	5/2000	Waldeck	D12/196
D455,372 S *	4/2002	Myles et al.	D12/98
D461,151 S *	8/2002	Morris	D12/196
D466,451 S *	12/2002	Trostle et al.	D12/98
D471,498 S *	3/2003	Inukai et al.	D12/196
D488,405 S *	4/2004	Metros et al.	D12/98
D495,626 S *	9/2004	Depeyster et al.	D12/98
D500,461 S *	1/2005	Noguchi et al.	D12/98
D500,462 S *	1/2005	Metros et al.	D12/98
D500,968 S *	1/2005	Metros et al.	D12/98
D503,137 S *	3/2005	Metros et al.	D12/196
D503,138 S *	3/2005	Metros et al.	D12/196
D503,368 S *	3/2005	Metros et al.	D12/196
D503,914 S *	4/2005	Metros et al.	D12/196
D504,356 S *	4/2005	Metros et al.	D12/98

FIG. 2 is a right elevational view thereof with portions of the SUV shown in phantom lines;

FIG. 3 is a left elevational view thereof with portions of the SUV and a fuel filler hole shown in phantom lines;

FIG. 4 is a rear elevational view thereof with portions of the SUV shown in phantom lines;

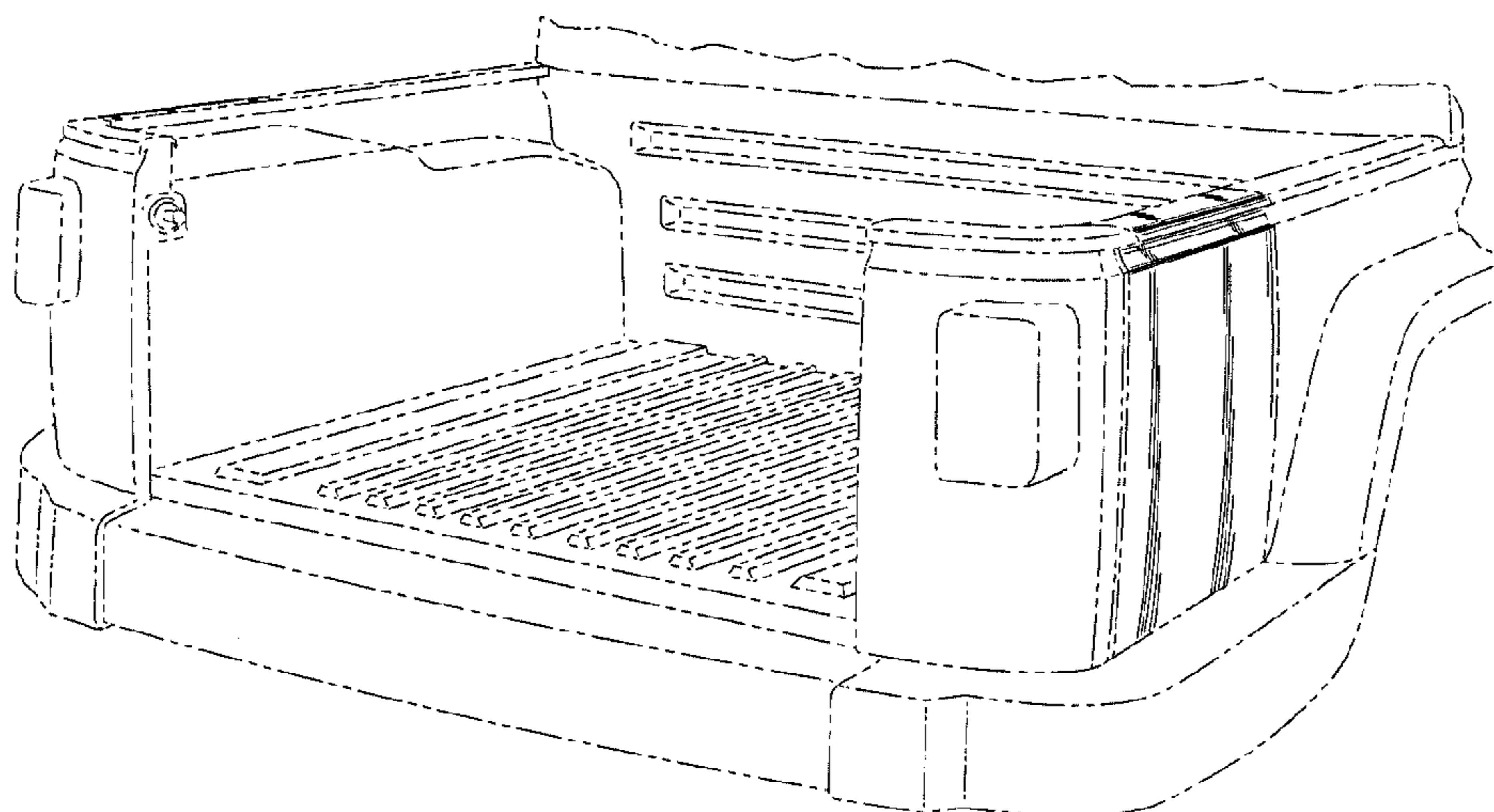
FIG. 5 is a front elevational view of the exemplary SUV shown in an outline in phantom lines;

FIG. 6 is a top plan view thereof with portions of the SUV shown in phantom lines; and,

FIG. 7 is a bottom plan view thereof showing the outline of the SUV in phantom lines.

The broken phantom lines depict unclaimed subject matter only and form no part of the claimed design.

1 Claim, 6 Drawing Sheets



US D682,758 S

Page 2

U.S. PATENT DOCUMENTS

D537,016 S * 2/2007 Shimoguchi et al. D12/98
D579,382 S * 10/2008 Arnone et al. D12/98
D586,699 S * 2/2009 Opfer et al. D12/98
D600,601 S * 9/2009 Jung et al. D12/164

OTHER PUBLICATIONS

Kaiser Jeep; Wikipedia; http://en.wikipedia.org/wiki/Kaiser_Jeep;
Oct. 16, 2012; 2 pages.

* cited by examiner

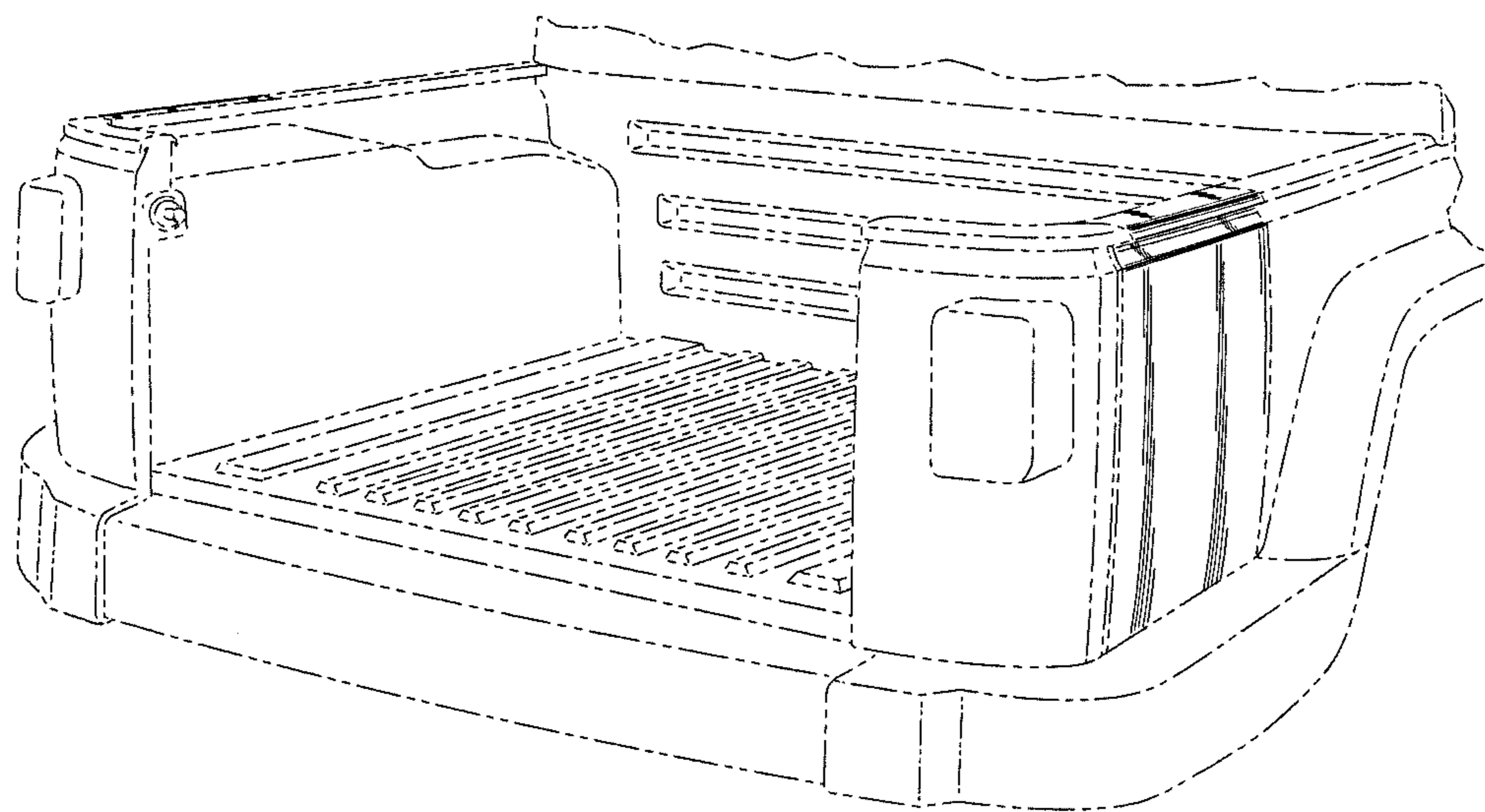


Fig. 1

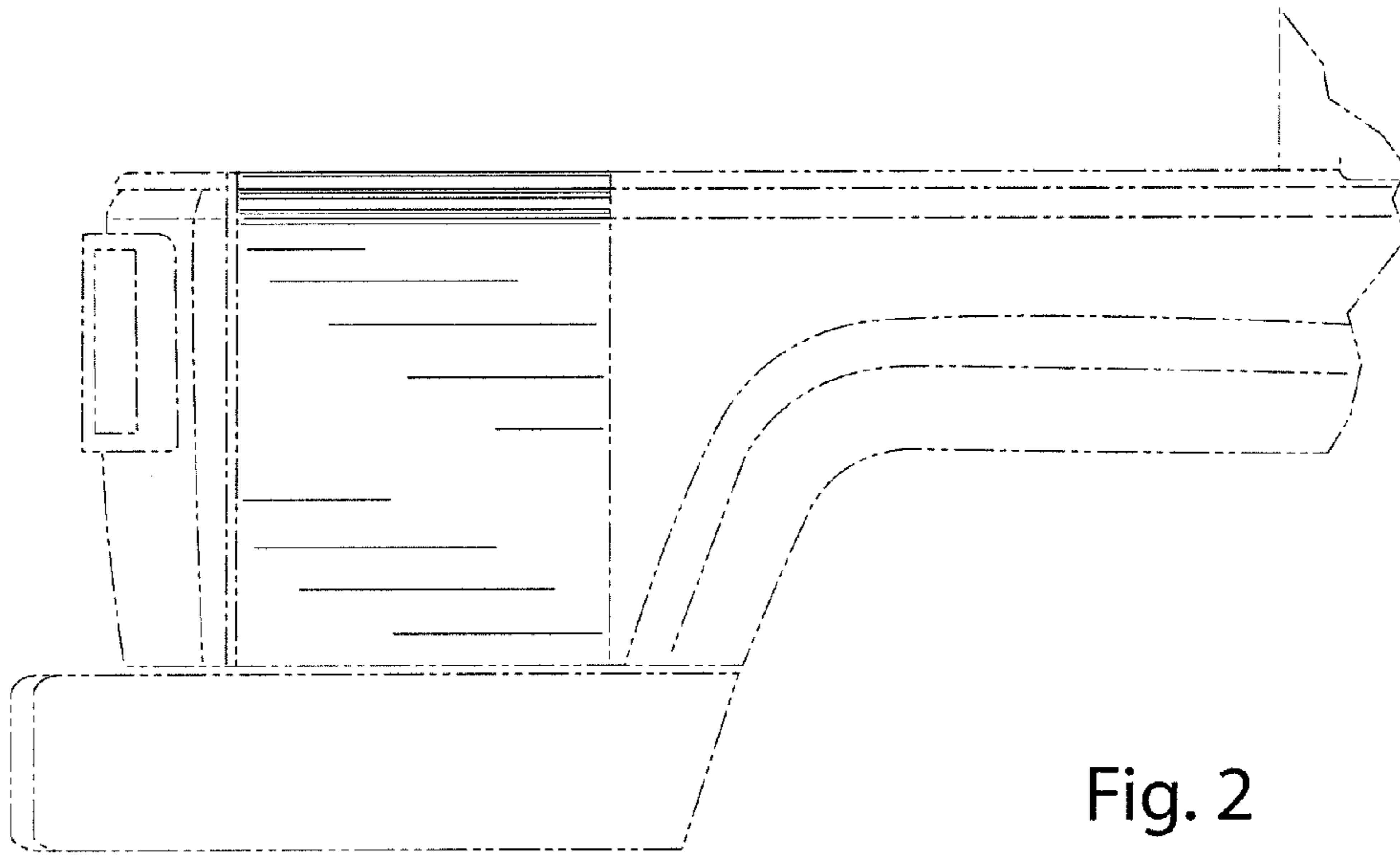


Fig. 2

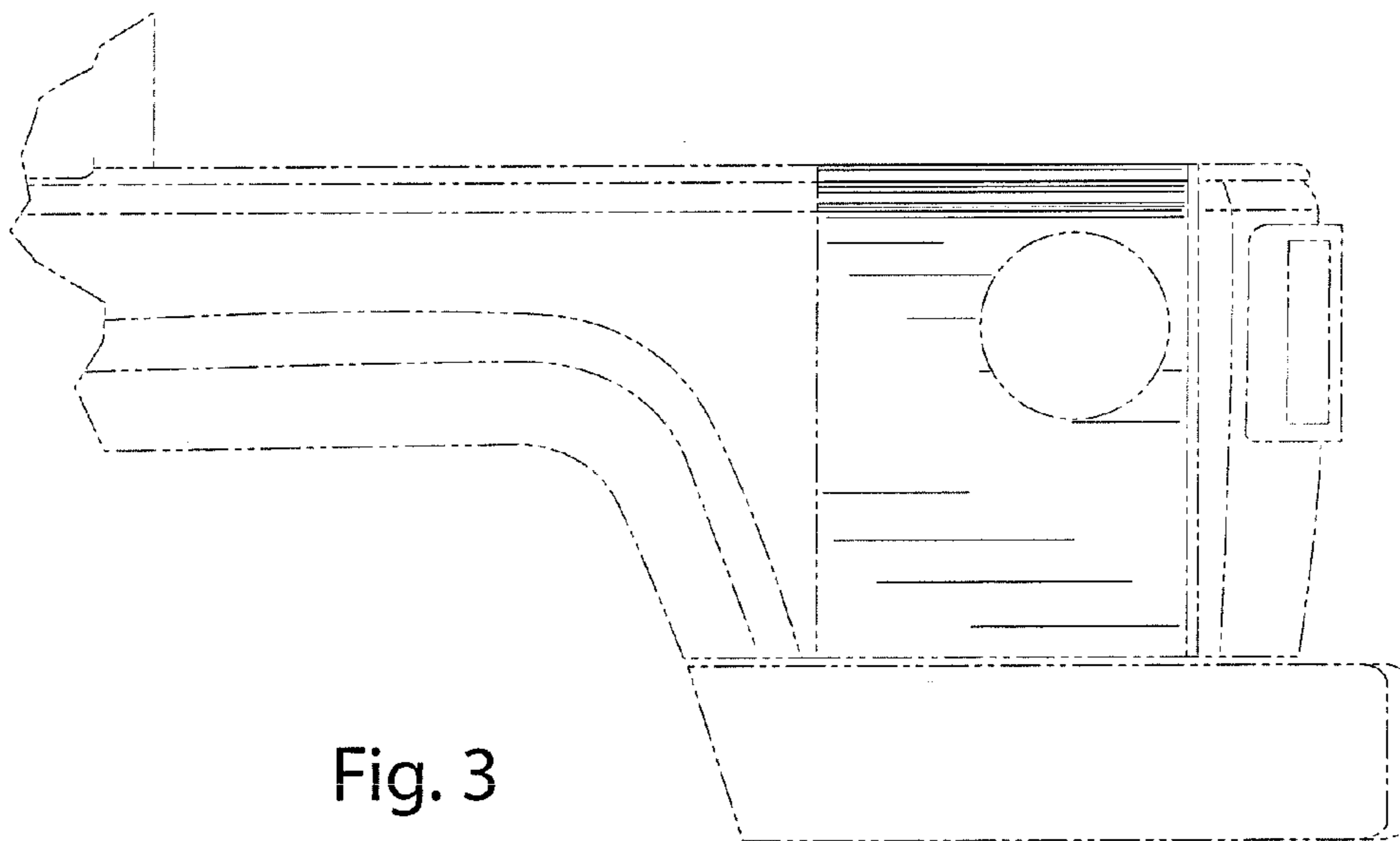


Fig. 3

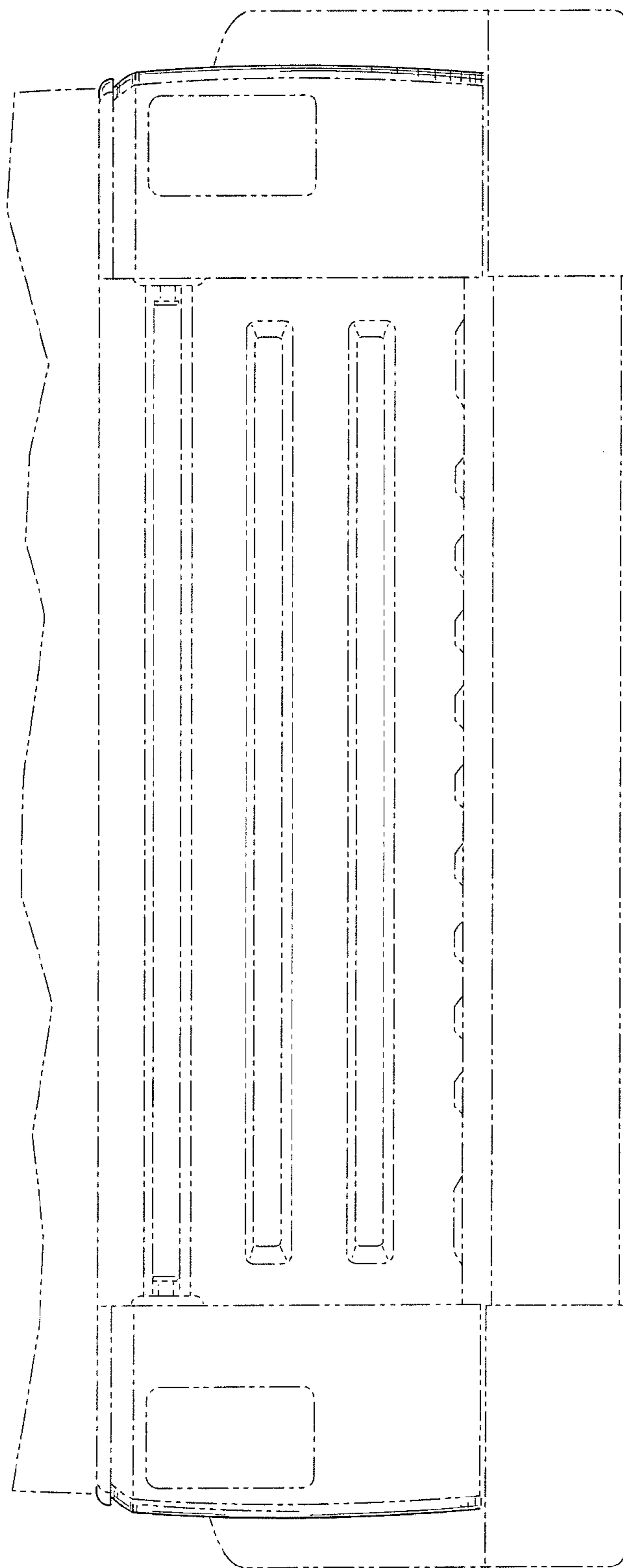


Fig. 4

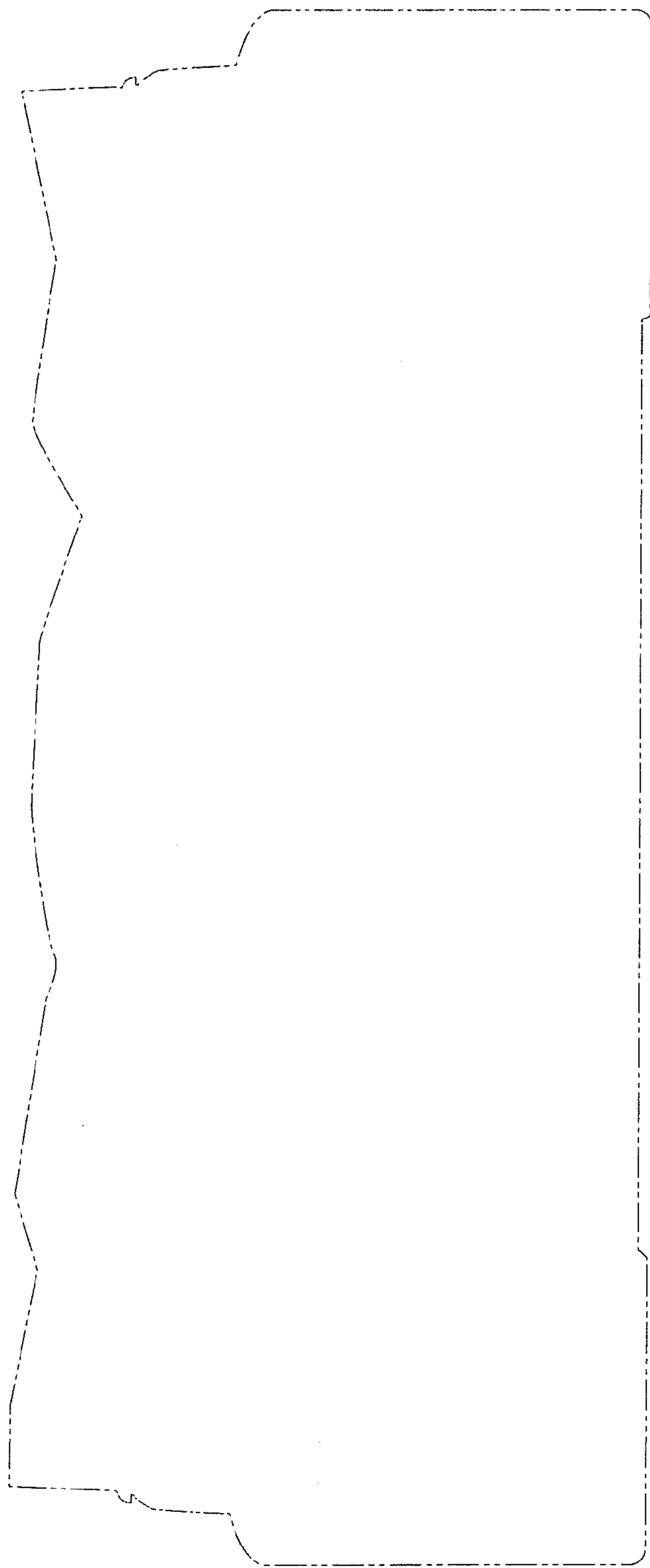


Fig. 5

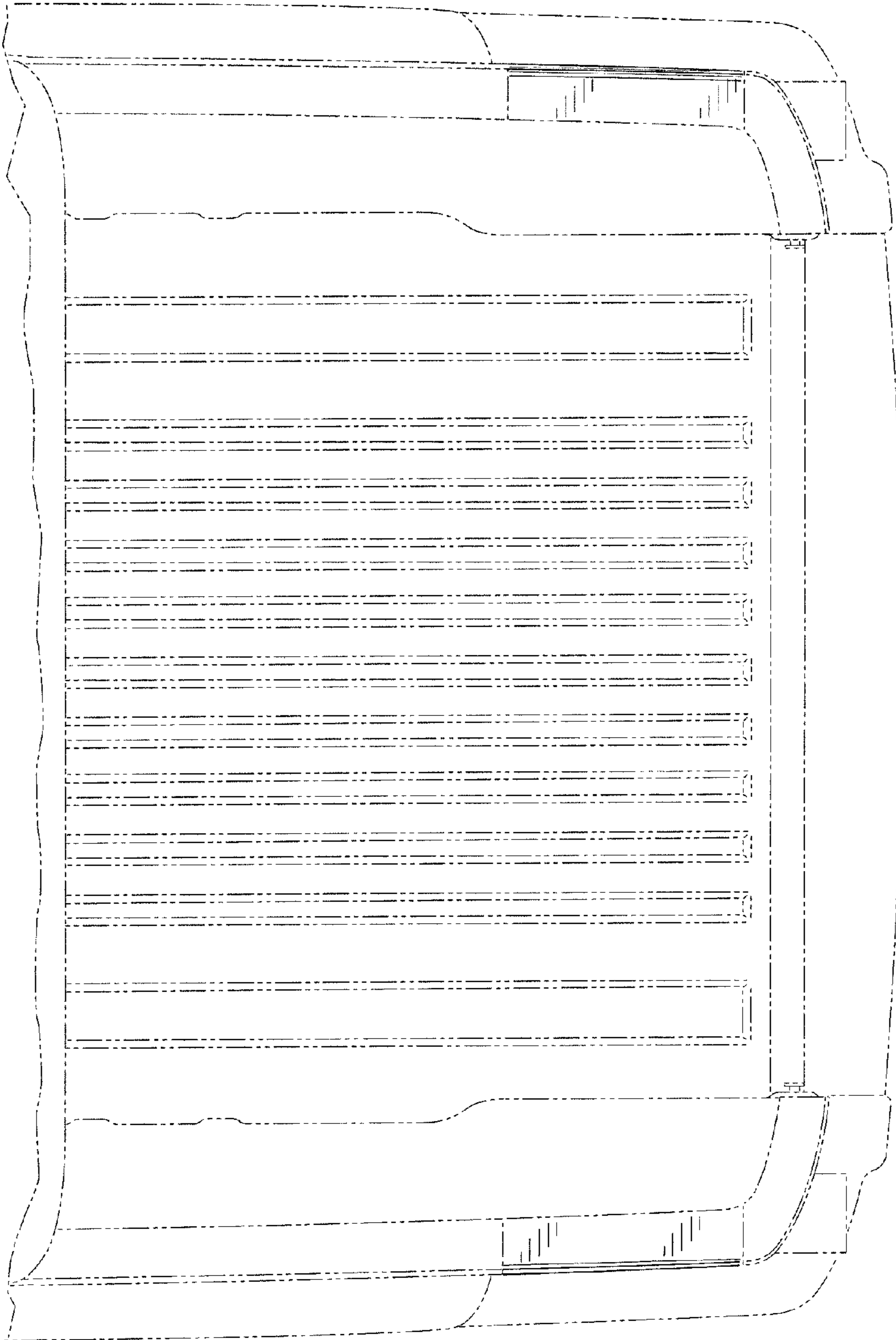


Fig. 6

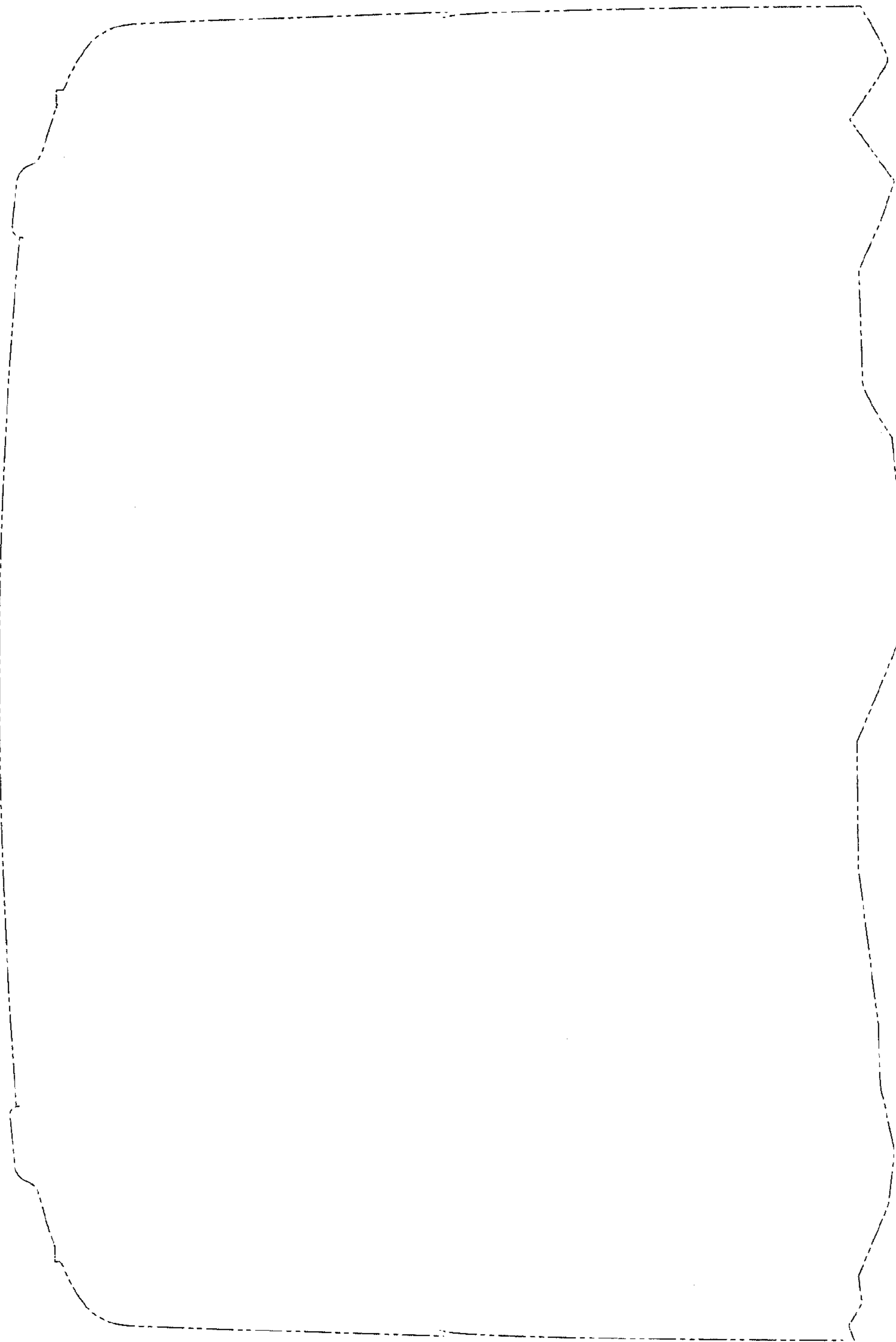


Fig. 7