



US00D682757S

(12) **United States Design Patent**
Song et al.

(10) **Patent No.:** **US D682,757 S**
(45) **Date of Patent:** **** May 21, 2013**

(54) **VEHICLE TRUNK**
(75) Inventors: **Solomon H Song**, Framington Hills, MI (US); **Darrell Paul Behmer**, Novi, MI (US); **Shawn Wehrly**, Royal Oak, MI (US)

(73) Assignee: **Ford Global Technologies, LLC**, Dearborn, MI (US)

(**) Term: **14 Years**

(21) Appl. No.: **29/405,223**

(22) Filed: **Oct. 31, 2011**

(51) **LOC (9) Cl.** **12-16**

(52) **U.S. Cl.**
USPC **D12/196**

(58) **Field of Classification Search** D12/86,
D12/90, 91, 92, 96, 183, 196; 296/181.1,
296/181.5

See application file for complete search history.

(56) **References Cited**

U.S. PATENT DOCUMENTS

D452,468 S *	12/2001	Sacco et al.	D12/196
D459,283 S *	6/2002	Sinkwitz	D12/196
D495,983 S *	9/2004	Pfeiffer et al.	D12/196
D501,167 S *	1/2005	Otto et al.	D12/196
D514,042 S *	1/2006	Pfeiffer et al.	D12/196
D514,491 S *	2/2006	Nagashima	D12/196
D528,490 S *	9/2006	Schumaker	D12/196
D541,721 S *	5/2007	Levy	D12/196
D581,336 S *	11/2008	Gabath et al.	D12/196
D585,004 S *	1/2009	Leclercq	D12/196

D589,860 S *	4/2009	Osborne et al.	D12/196
D616,798 S *	6/2010	Lamm et al.	D12/196
D620,860 S *	8/2010	Froehlich	D12/196

OTHER PUBLICATIONS

http://www.automobilemag.com/auto_shows/2008_los_angeles/0811_2010_lincoln_mkz/index.html, Auto Shows: 2010 Lincoln MKZ, from Apr. 2009 issue of Automobile Magazine, 3 pgs.

* cited by examiner

Primary Examiner — Philip S Hyder

Assistant Examiner — Darlington Ly

(74) *Attorney, Agent, or Firm* — Frank A. MacKenzie; Brooks Kushman P.C.

(57) **CLAIM**

The ornamental design for a vehicle trunk, as shown and described.

DESCRIPTION

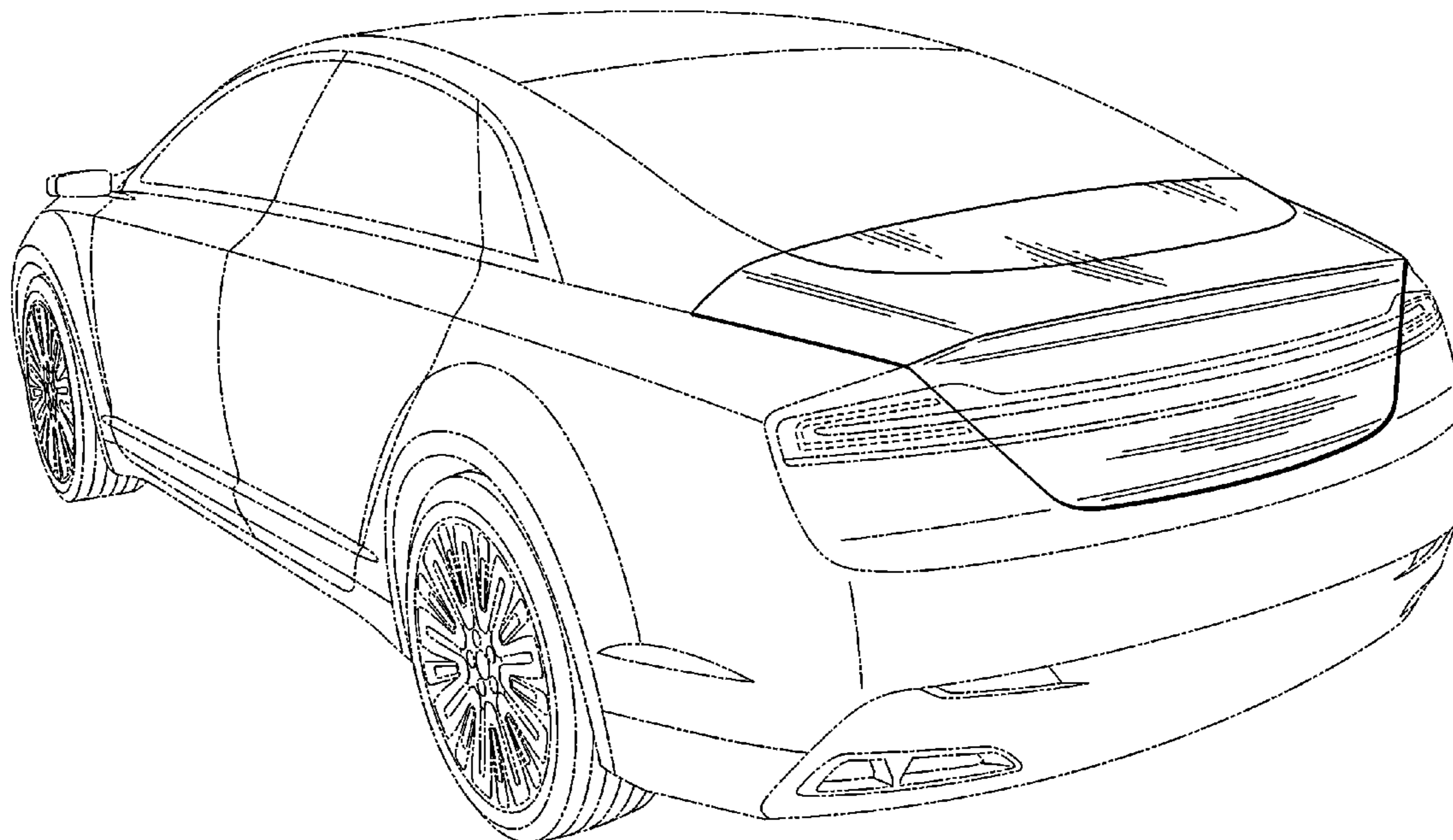
FIG. 1 is a rear perspective view of a vehicle trunk in accordance with an embodiment of the present invention; FIG. 2 is a right side perspective view of the vehicle trunk of FIG. 1, wherein a left side perspective view is a mirror image thereof;

FIG. 3 is a rear/right side perspective view of the vehicle trunk of FIG. 1, wherein a rear/left side perspective view is a mirror image thereof; and,

FIG. 4 is another rear perspective view of a vehicle trunk of FIG. 1 in accordance with an embodiment of the present invention;

The broken lines shown in the drawings illustrate portions of the vehicle trunk that forms no part of claimed design.

1 Claim, 4 Drawing Sheets



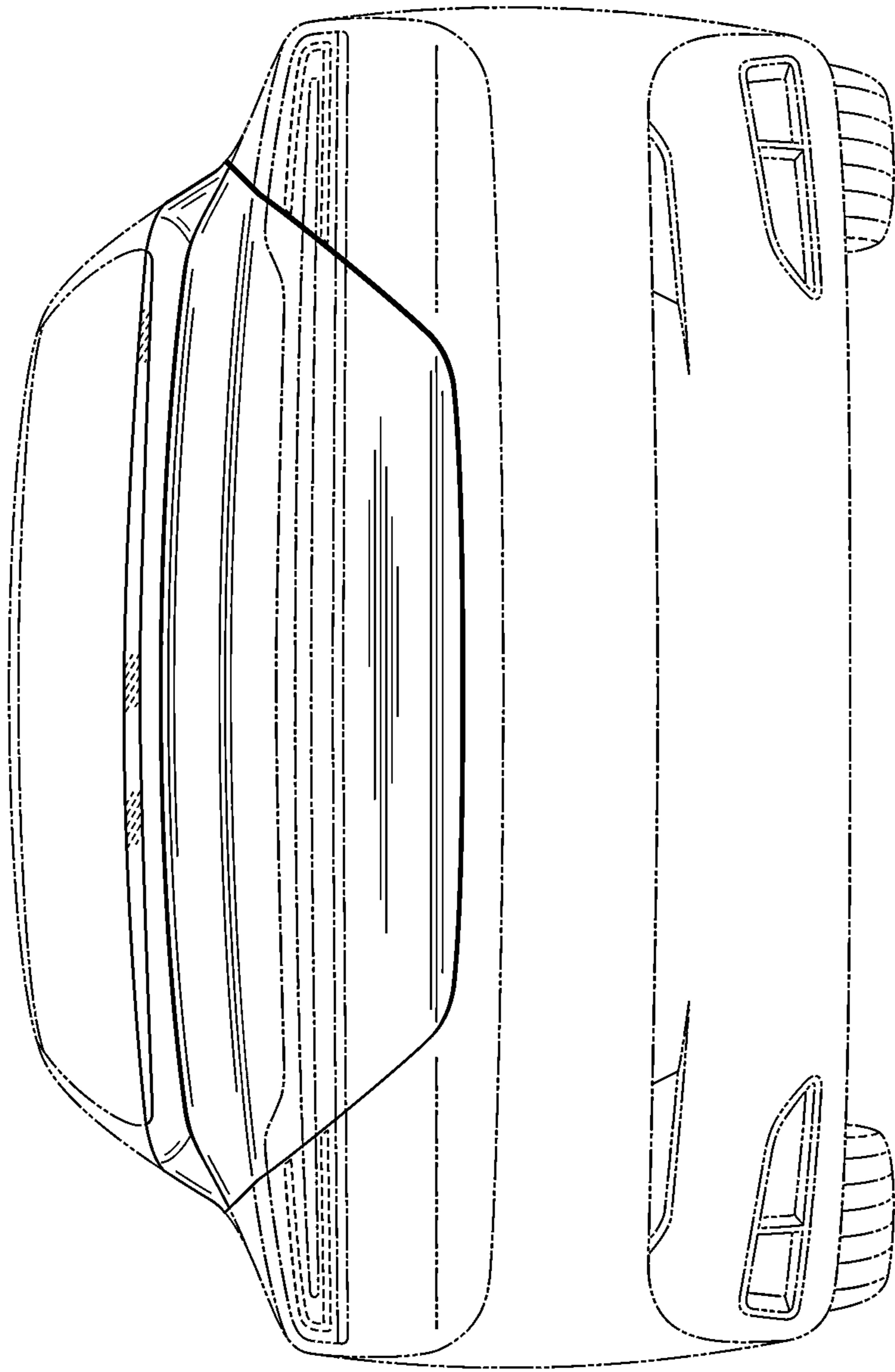


Fig. 1

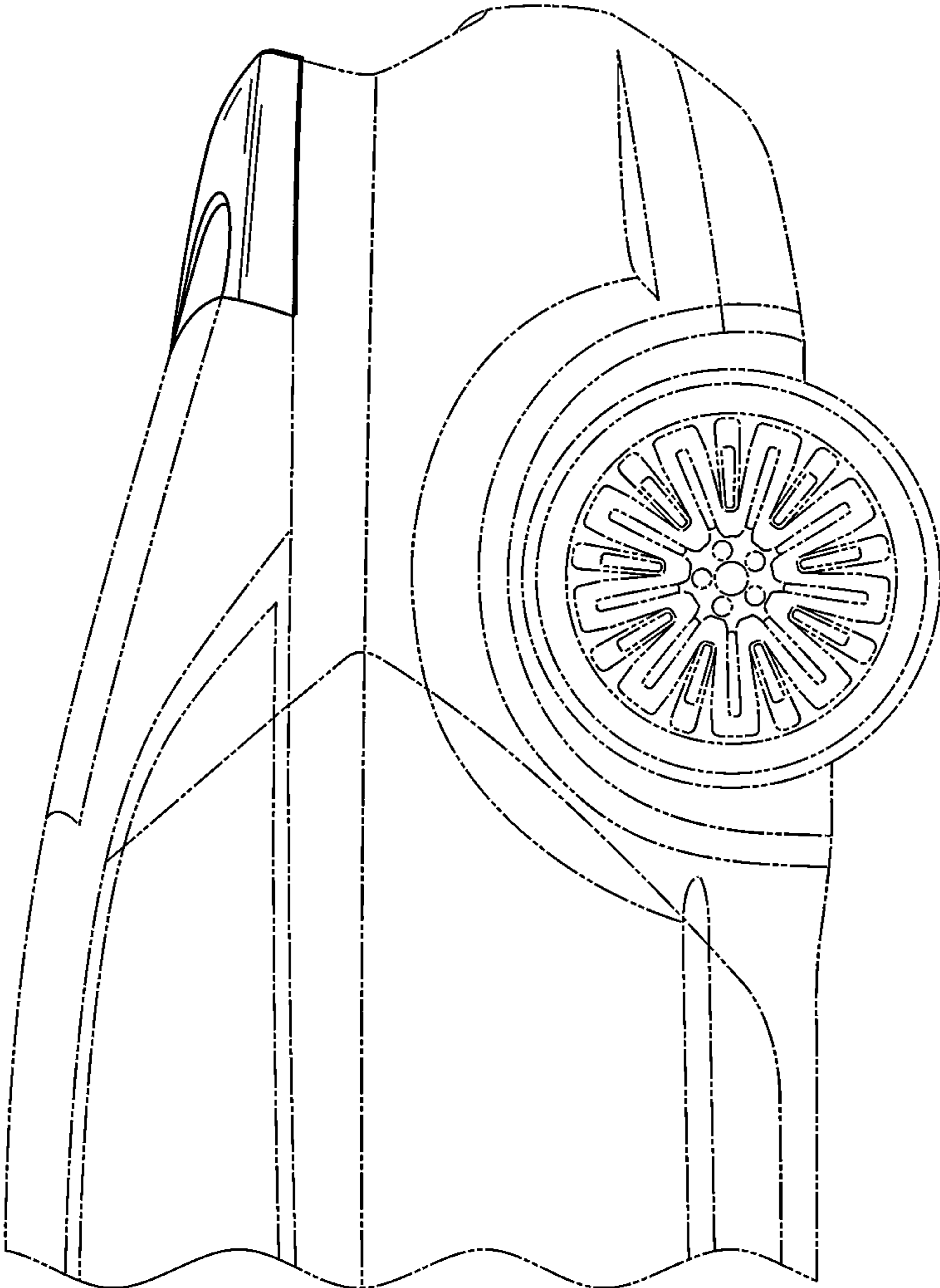


Fig. 2

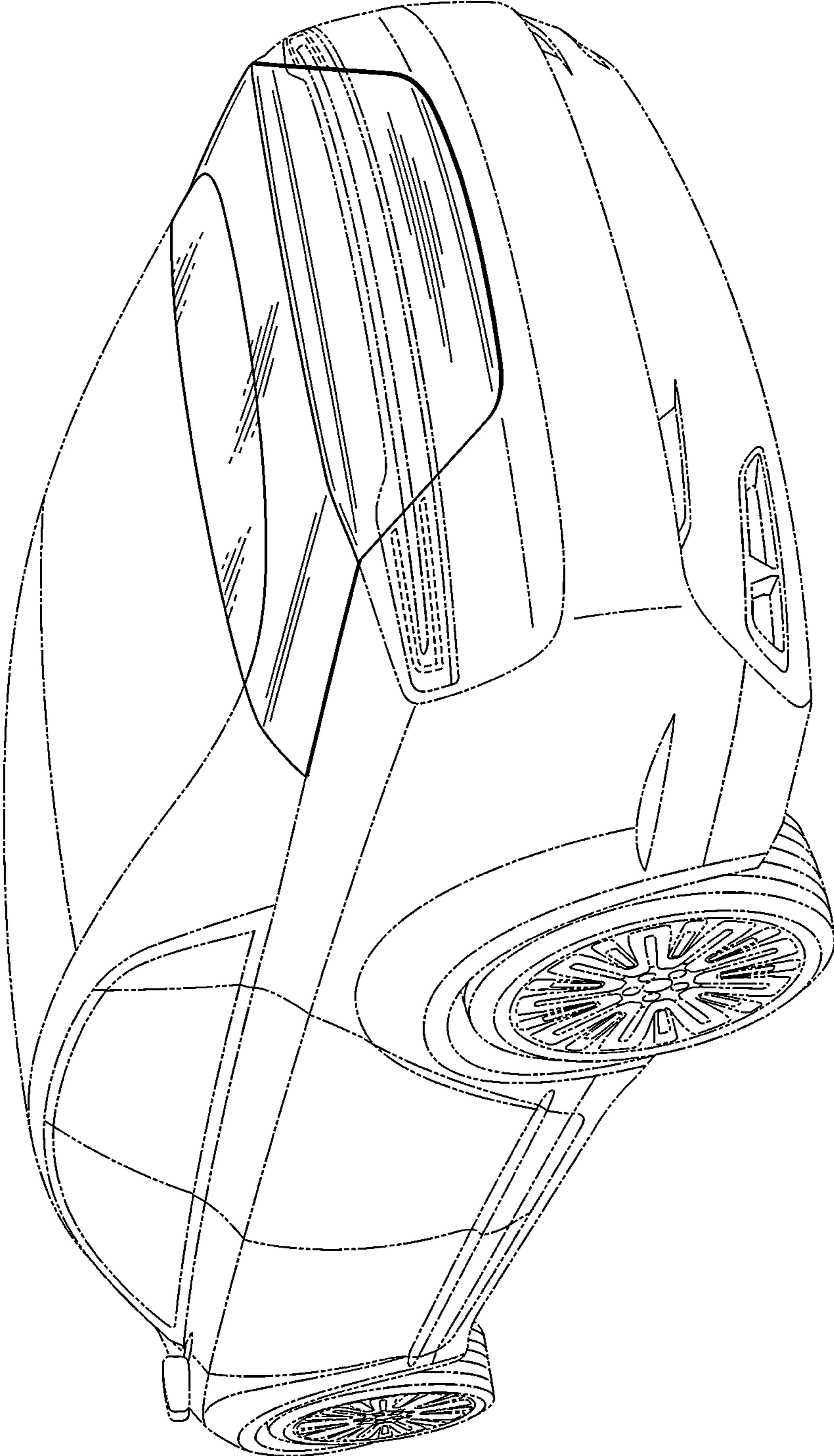


Fig. 3

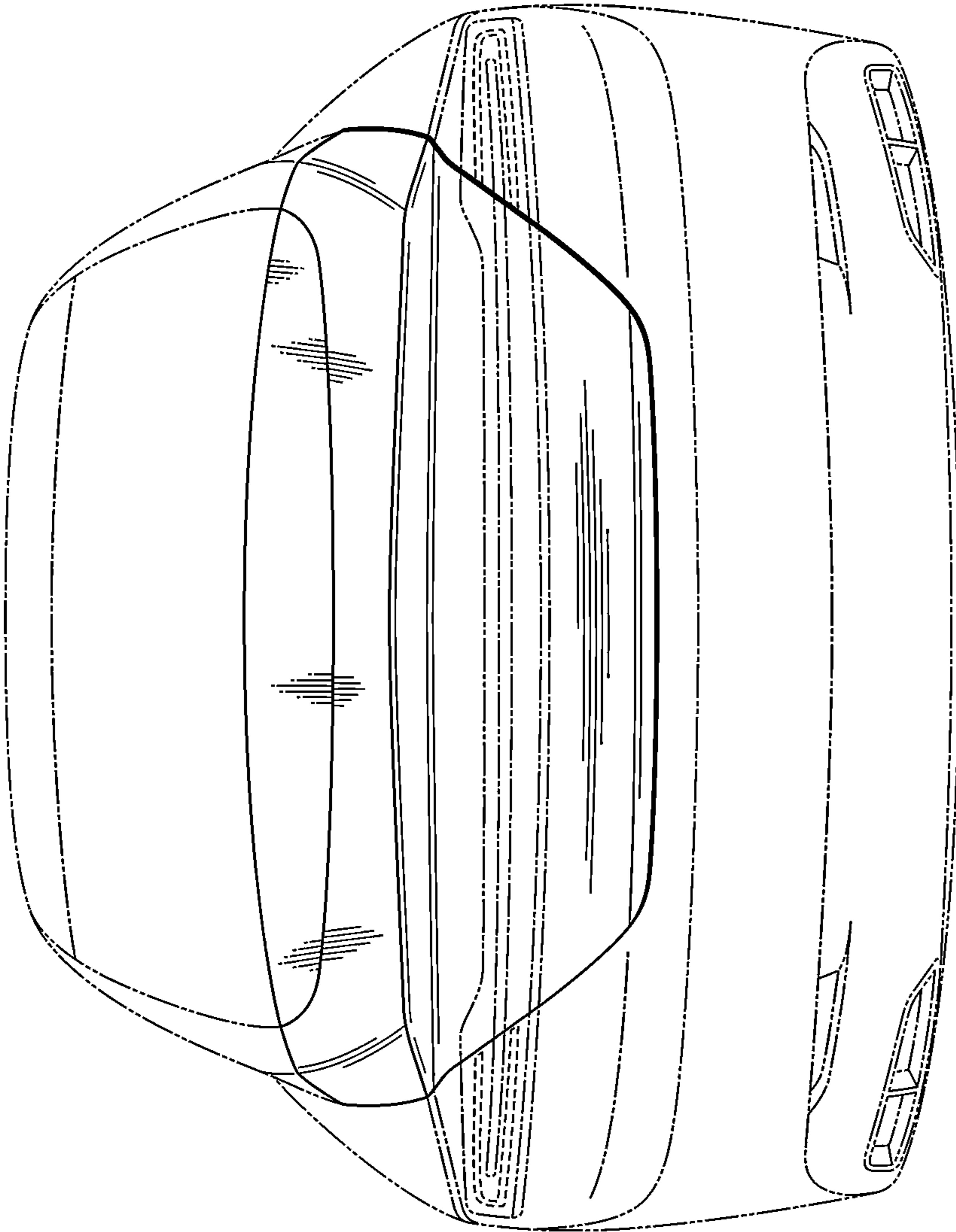


Fig. 4