

US00D682754S

(12) **United States Design Patent**
Robinson

(10) **Patent No.:** **US D682,754 S**

(45) **Date of Patent:** **** May 21, 2013**

(54) **FRONT BUMPER FOR A MOTOR VEHICLE**

D659,606 S * 5/2012 Varga D12/169
D659,607 S * 5/2012 Robinson D12/169
D666,130 S * 8/2012 Varga D12/169

(75) Inventor: **Hugh Robinson**, Stuttgart (DE)

(73) Assignee: **Dr. Ing. h.c. F. Porsche**
Aktiengesellschaft, Stuttgart (DE)

(**) Term: **14 Years**

(21) Appl. No.: **29/403,289**

(22) Filed: **Oct. 4, 2011**

(30) **Foreign Application Priority Data**

Apr. 4, 2011 (DE) 40 2011 002 555

(51) **LOC (9) Cl.** **12-16**

(52) **U.S. Cl.**
USPC **D12/169**

(58) **Field of Classification Search** D12/169,
D12/196, 171, 216, 163, 86, 90-92; 293/102,
293/113, 115, 117, 120; 296/180.1, 180.2
See application file for complete search history.

(56) **References Cited**

U.S. PATENT DOCUMENTS

D522,937 S * 6/2006 Tada D12/169
D535,922 S 1/2007 Kulla
D576,928 S * 9/2008 Miyazaki D12/169
D578,447 S * 10/2008 Sawai D12/169
D583,723 S * 12/2008 Murakami D12/169
D583,730 S * 12/2008 Tonello D12/169
D584,202 S * 1/2009 Sonoda et al. D12/169
D585,797 S * 2/2009 Suzuki et al. D12/169
D586,271 S * 2/2009 Futschik et al. D12/169
D610,500 S * 2/2010 Kulla et al. D12/169
D620,404 S * 7/2010 Ward D12/169
D627,275 S * 11/2010 Sakae et al. D12/169
D635,066 S 3/2011 Saracoglu
D647,437 S * 10/2011 Varga D12/169
D659,604 S * 5/2012 Varga D12/169

FOREIGN PATENT DOCUMENTS

DE 402010001631.9 5/2010
DE 402010002398.6 7/2010
DE 402010004054.6 9/2010

OTHER PUBLICATIONS

U.S. Appl. No. 29/369,503, filed Sep. 9, 2010, Varga—Unpublished.
U.S. Appl. No. 29/377,545, filed Oct. 22, 2010, Varga—Unpub-
lished.
U.S. Appl. No. 29/377,550, filed Oct. 22, 2010, Varga—Unpub-
lished.

(Continued)

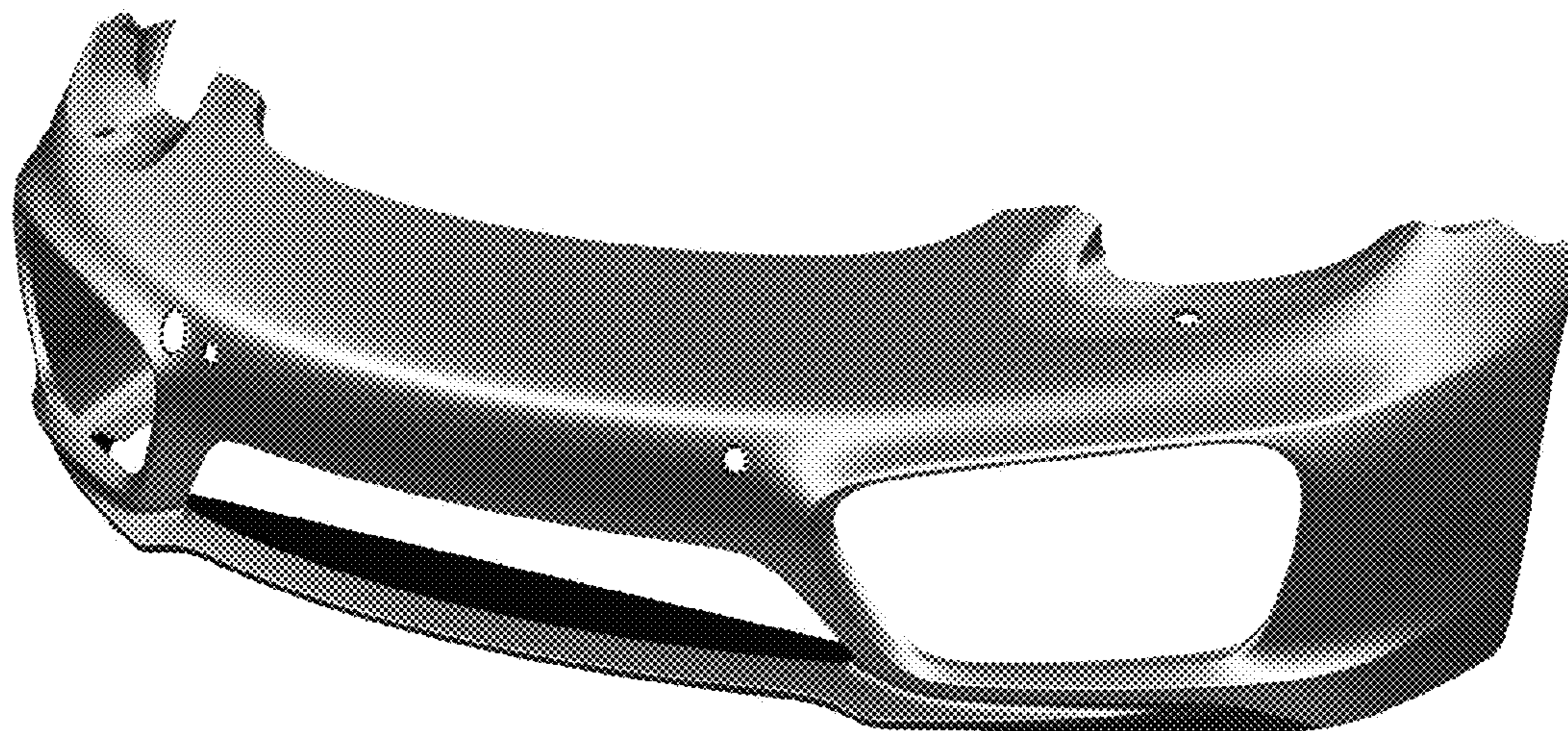
Primary Examiner — Melody N Brown
(74) *Attorney, Agent, or Firm* — RatnerPrestia

(57) **CLAIM**
The ornamental design for a front bumper for a motor vehicle,
as shown and described.

DESCRIPTION

FIG. 1 is a perspective view of a front bumper for a motor vehicle;
FIG. 2 is a front elevation view thereof;
FIG. 3 is a rear elevation view thereof;
FIG. 4 is an elevation view from the left side thereof;
FIG. 5 is an elevation view from the right side thereof;
FIG. 6 is a top plan view thereof; and,
FIG. 7 is a bottom plan view thereof.
The features of the front bumper that are encircled by broken lines are for illustration purposes only and form no part of the claimed design.

1 Claim, 4 Drawing Sheets



OTHER PUBLICATIONS

U.S. Appl. No. 29/383,966, filed Jan. 25, 2011, Robinson—Unpublished.
U.S. Appl. No. 29/399,959, filed Aug. 22, 2011, Varga—Unpublished.
U.S. Appl. No. 29/403,292, filed Oct. 4, 2011, Scheinhütte—Unpublished.
U.S. Appl. No. 29/403,296, filed Oct. 4, 2011, Scheinhütte—Unpublished.
U.S. Appl. No. 29/403,298, filed Oct. 4, 2011, Scheinhütte—Unpublished.
U.S. Appl. No. 29/406,883, filed Nov. 21, 2011, Borkert—Unpublished.

German Design Application No. DE402010002393.5, filed Apr. 27, 2010, Varga—Unpublished.
German Design Application No. DE402011002505.1, filed Feb. 24, 2011, Varga—Unpublished.
German Design Application No. DE402011002563.9, filed Apr. 4, 2011, Scheinhütte—Unpublished.
German Design Application No. DE402011002569.8, filed Apr. 4, 2011, Scheinhütte—Unpublished.
German Design Application No. DE402011002574.4, filed Apr. 4, 2011, Scheinhütte—Unpublished.
German Design Application No. DE402011004562.1, filed May 26, 2011, Borkert—Unpublished.

* cited by examiner

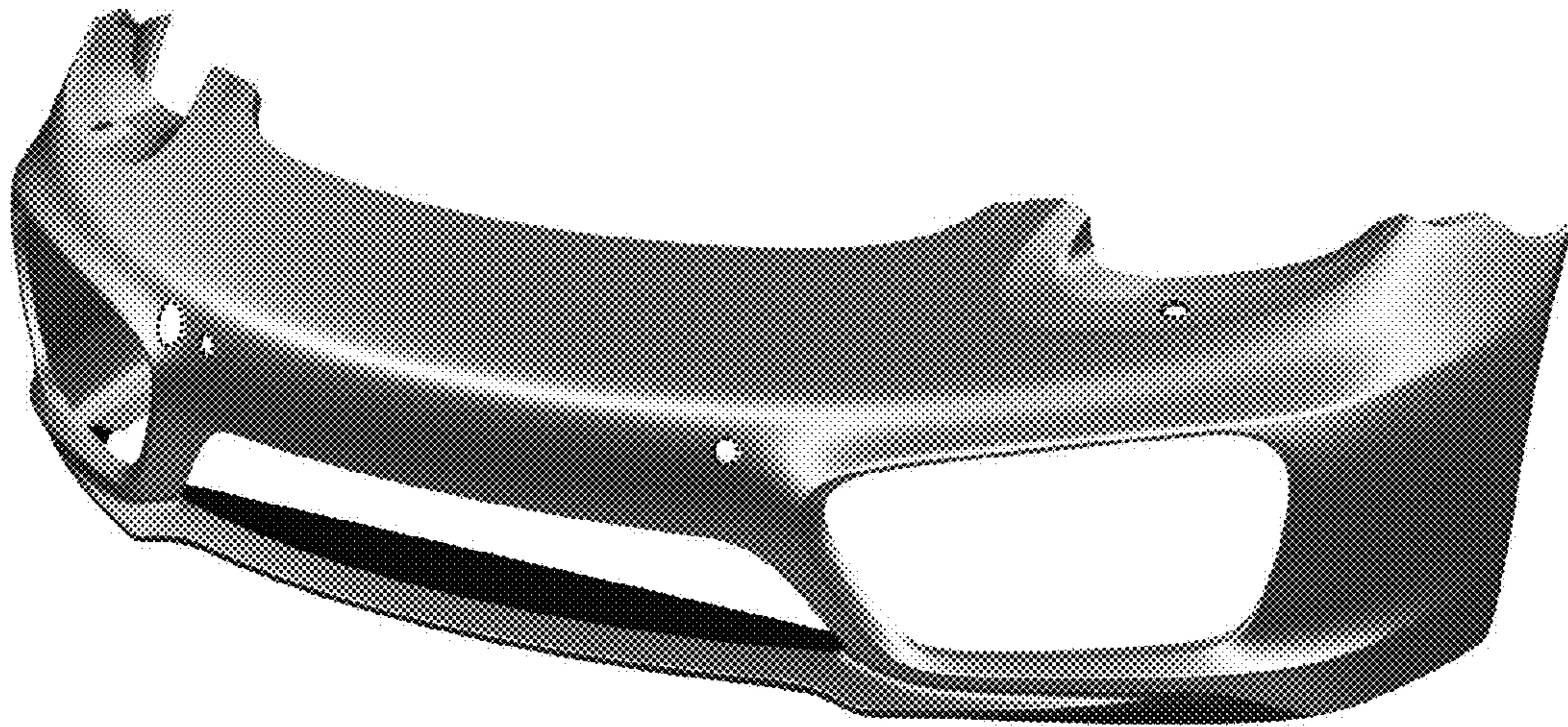


Figure 1

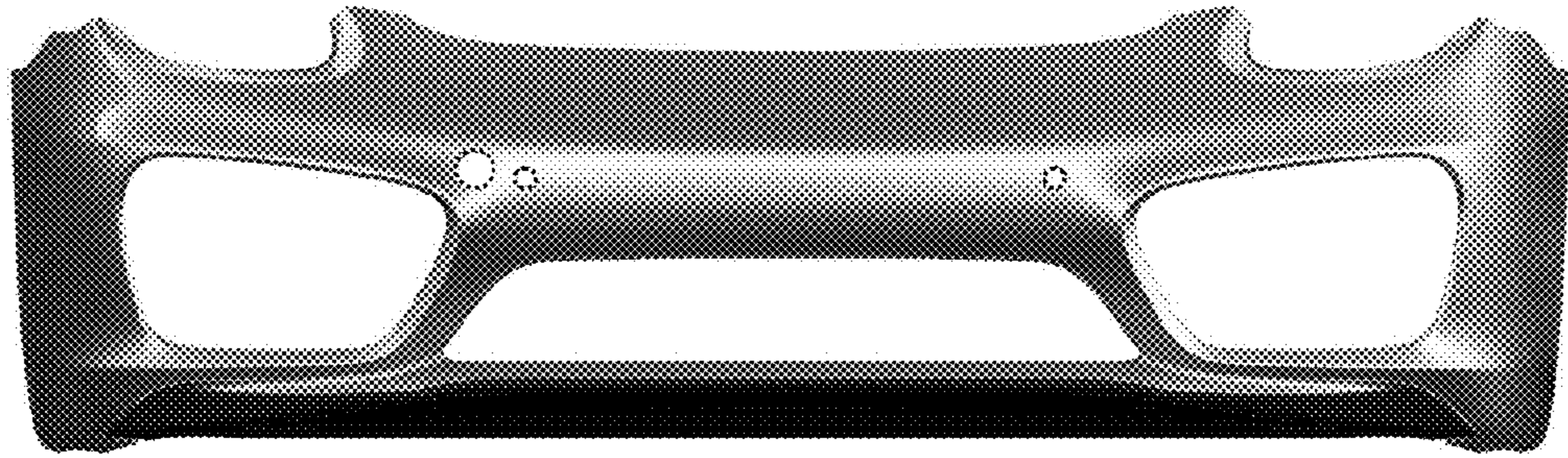


Figure 2

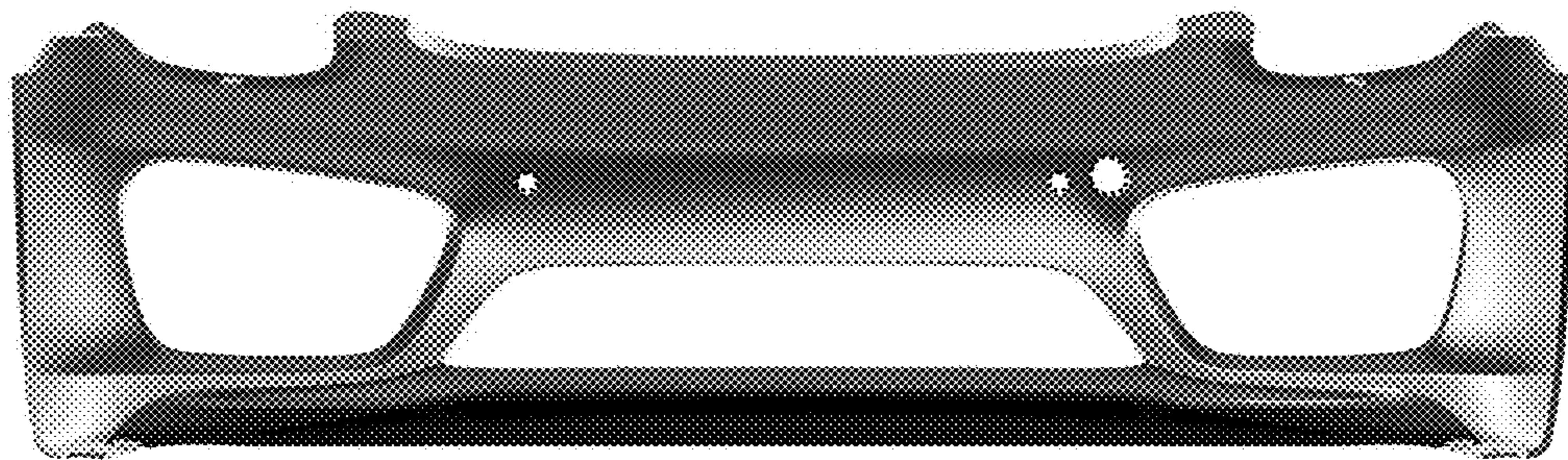


Figure 3

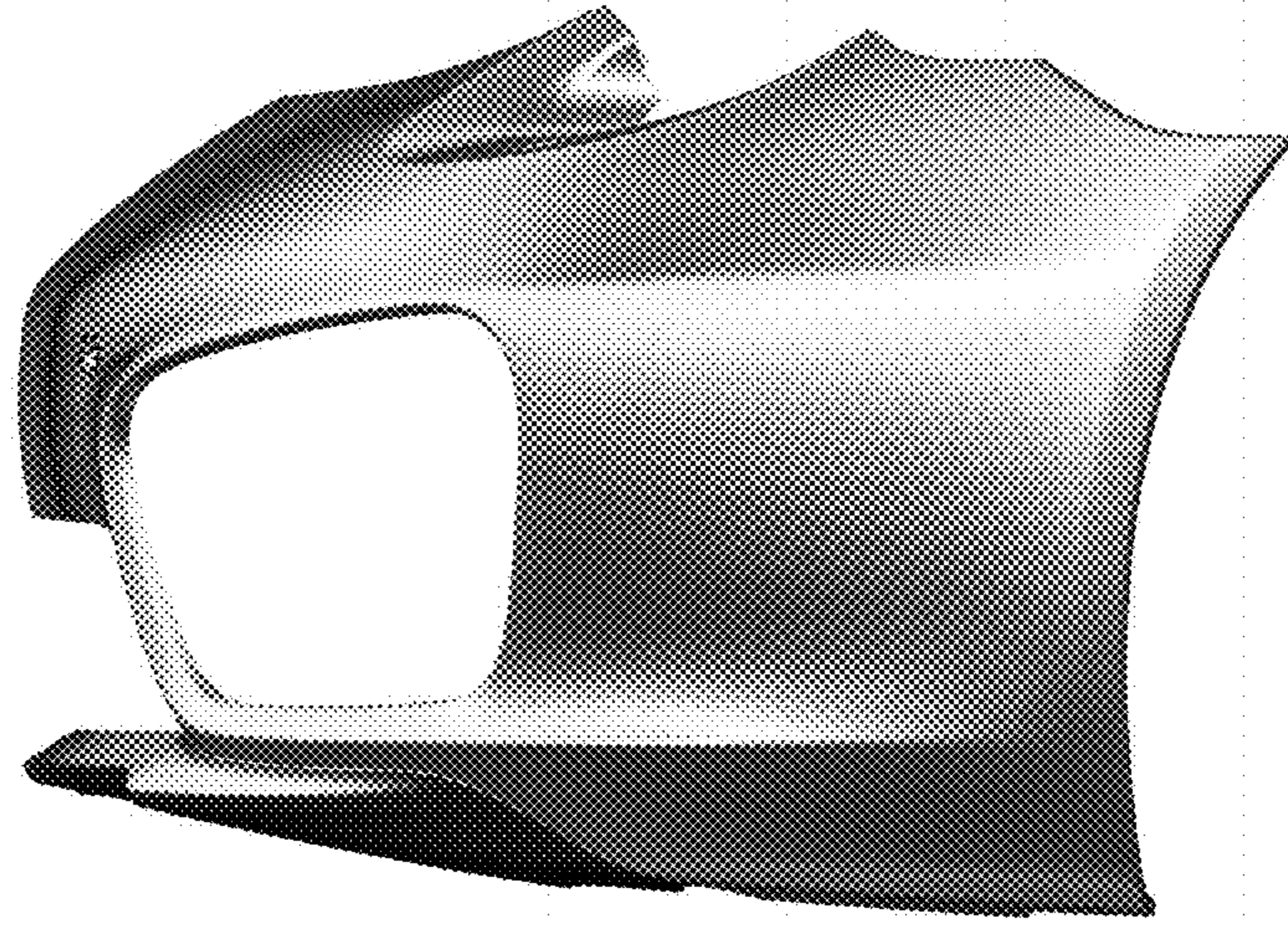


Figure 4

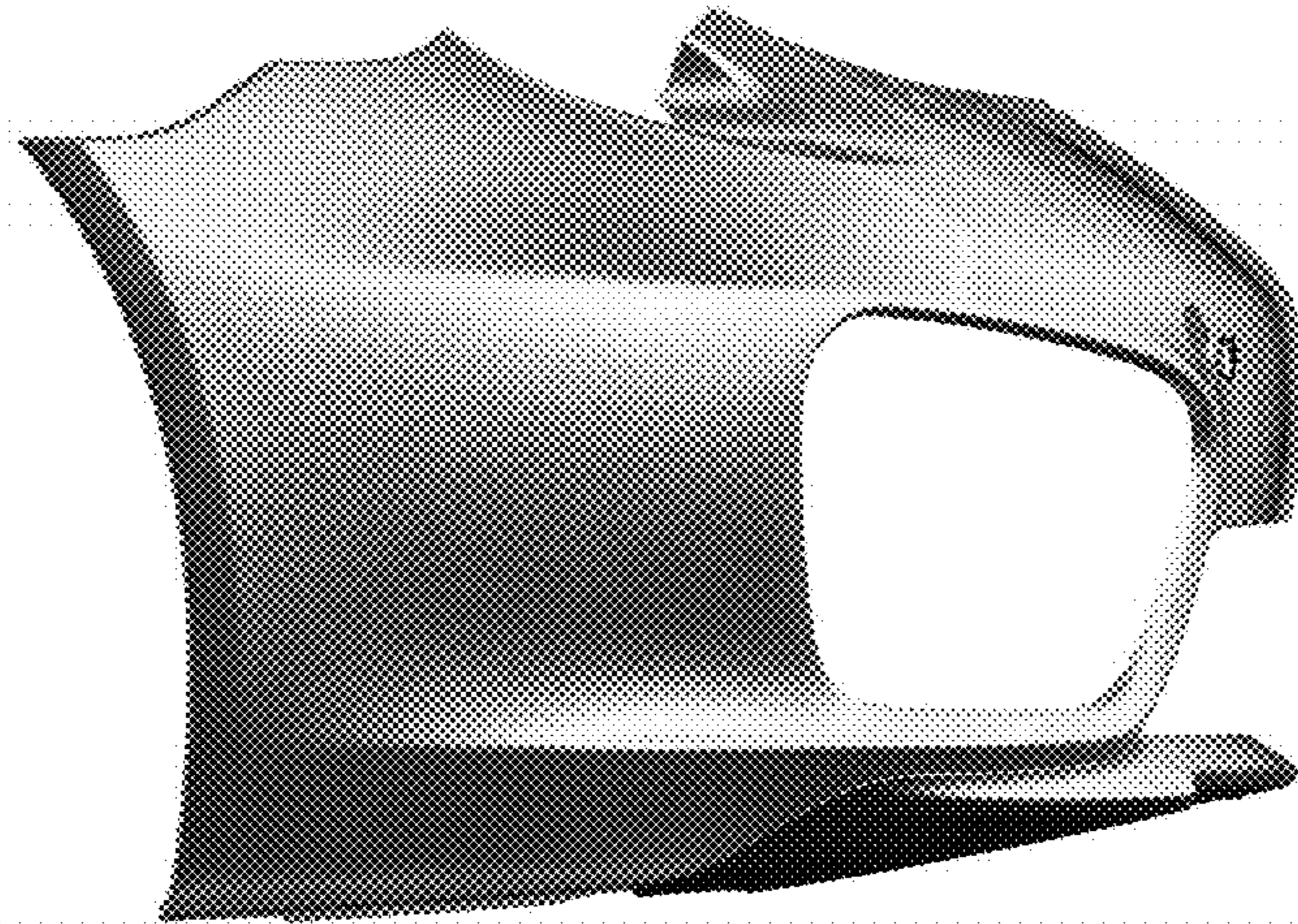


Figure 5

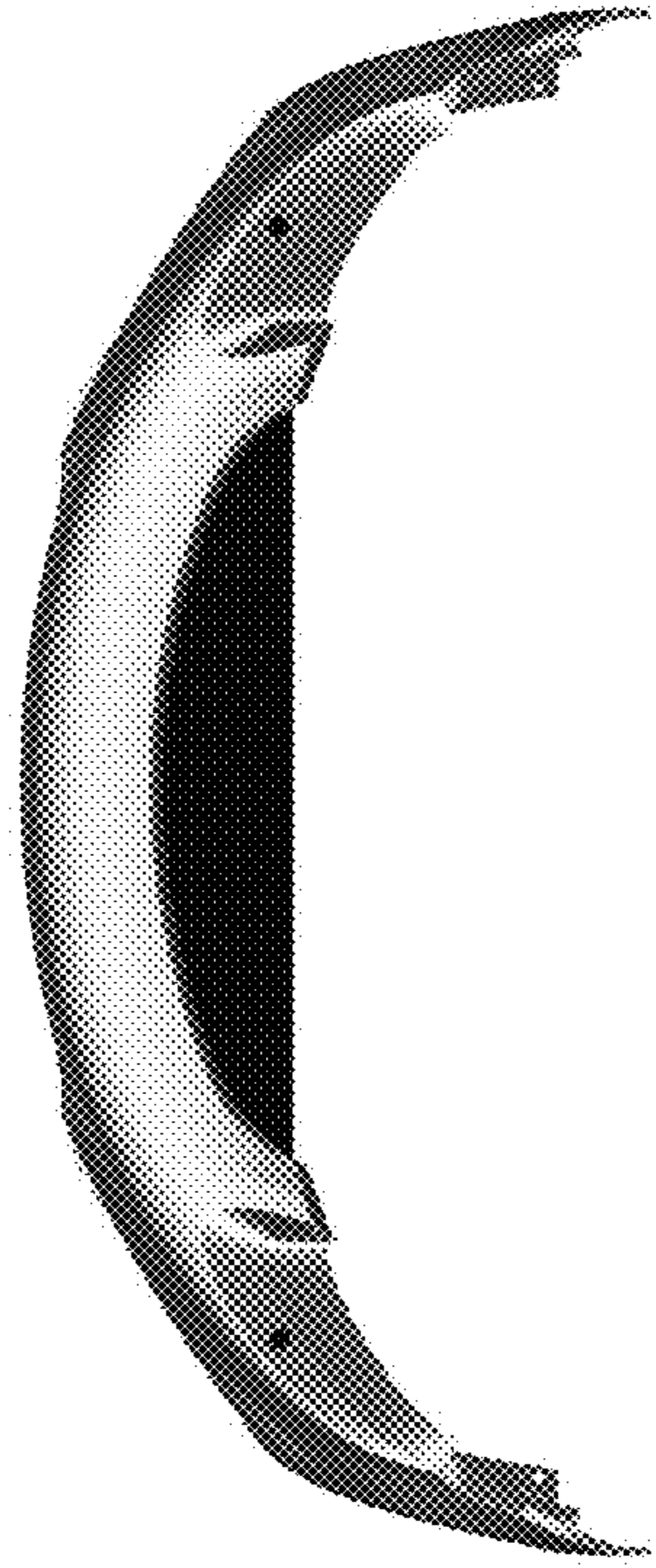


Figure 6

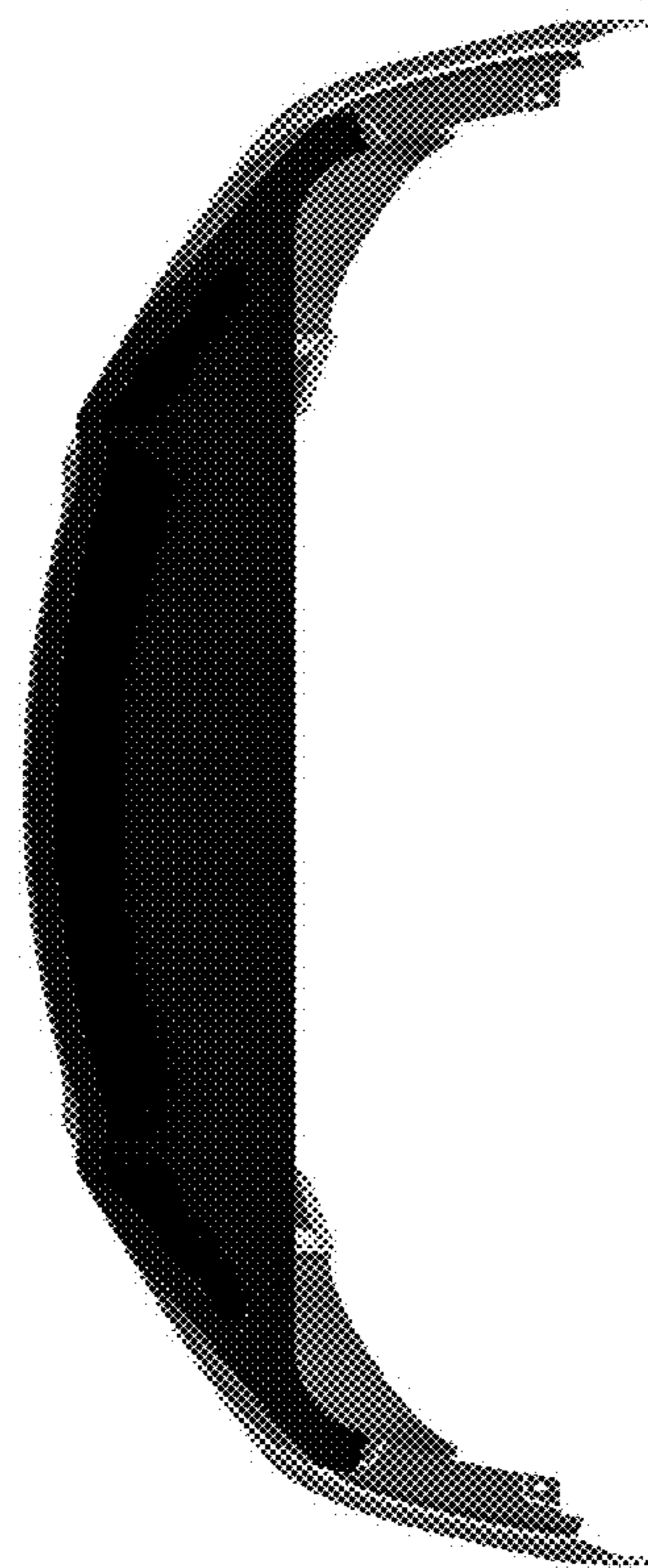


Figure 7