



US00D682753S

(12) **United States Design Patent**
Yoshida et al.

(10) **Patent No.:** **US D682,753 S**
(45) **Date of Patent:** **** May 21, 2013**

(54) **RADIATOR GRILL FOR AUTOMOBILE**

(75) Inventors: **Minoru Yoshida**, Kanagawa-ken (JP);
Hiroshi Kawano, Kanagawa-ken (JP);
Masanobu Ino, Kanagawa-ken (JP);
Patrick Reimer, London (GB); **Marc Cogswell**, San Diego, CA (US)

D572,635 S * 7/2008 Zheng D12/163
D573,924 S * 7/2008 Tachibana D12/163
D576,086 S * 9/2008 Ishizuka D12/163
D584,198 S * 1/2009 Tamura D12/163
D592,111 S * 5/2009 Janik et al. D12/163
D602,820 S * 10/2009 Yukawa et al. D12/163
D604,210 S * 11/2009 Kim D12/163

(Continued)

(73) Assignee: **Nissan Jidosha Kabushiki Kaisha**,
Kanagawa (JP)

FOREIGN PATENT DOCUMENTS

RU 76372 10/2010

(**) Term: **14 Years**

OTHER PUBLICATIONS

(21) Appl. No.: **29/414,230**

Nissan Jidosha Kabushiki Kaisha, Office Action dated May 17, 2012 (with English Translation) in Russian design application No. 2012500724, filed on Feb. 29, 2012.

(22) Filed: **Feb. 27, 2012**

(30) **Foreign Application Priority Data**

Dec. 21, 2011 (JP) 2011-029571

Primary Examiner — Susan E Krakower

Assistant Examiner — John T Applewhite

(51) **LOC (9) Cl.** **12-16**

(74) *Attorney, Agent, or Firm* — Fross Zelnick Lehrman & Zissu, P.C.; Charles T. J. Weigell, Esq.

(52) **U.S. Cl.**
USPC **D12/163**

(57) **CLAIM**

The ornamental design for a radiator grill for automobile, as shown and described.

(58) **Field of Classification Search** D12/82,
D12/86, 90, 91, 92, 163, 164, 170, 171, 216;
D23/393; 180/68.1, 68.6; 296/180.1, 180.2,
296/193.1, 193.11; 293/102, 113, 115, 117
See application file for complete search history.

DESCRIPTION

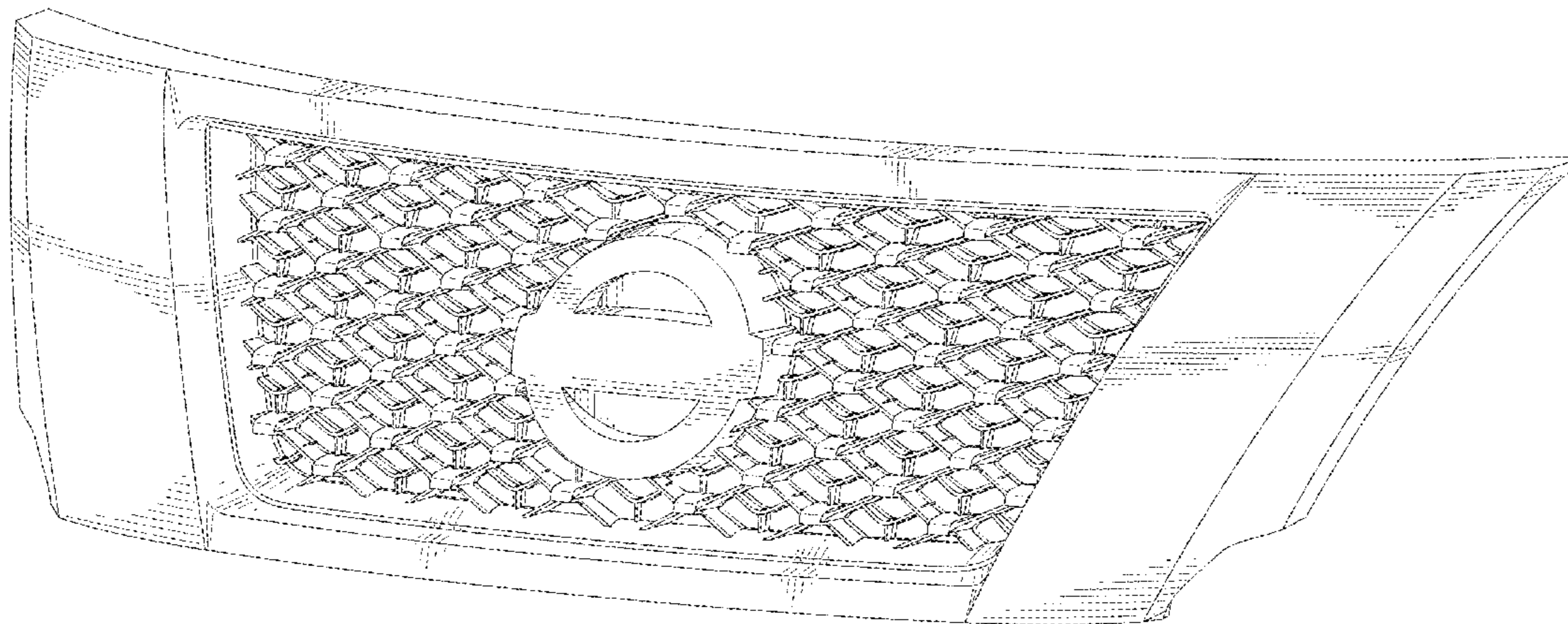
FIG. 1 is a perspective view of a radiator grill for automobile showing our new design;
FIG. 2 is a front view thereof;
FIG. 3 is a rear view thereof;
FIG. 4 is a left side view thereof;
FIG. 5 is a right side view thereof;
FIG. 6 is a top view thereof;
FIG. 7 is a bottom view thereof; and,
FIG. 8 is an enlarged view of a part of grill thereof.
The broken lines shown illustrate portions of the radiator grill for automobile that form no part of claimed design.

(56) **References Cited**

U.S. PATENT DOCUMENTS

D452,837 S * 1/2002 Kitamura et al. D12/163
D475,662 S * 6/2003 Koizumi et al. D12/163
D497,849 S * 11/2004 Yanase D12/163
6,969,097 B2 * 11/2005 Tanaka 293/115
D523,381 S * 6/2006 Taguchi et al. D12/163
D537,019 S * 2/2007 Pfeiffer D12/163
D551,145 S * 9/2007 Canitano D12/196
D557,184 S * 12/2007 Janik D12/163
D562,196 S * 2/2008 Saito D12/163

1 Claim, 5 Drawing Sheets



US D682,753 S

Page 2

U.S. PATENT DOCUMENTS

D614,542 S *	4/2010	Kasai et al.	D12/163	D635,065 S *	3/2011	Seo	D12/163
D623,565 S *	9/2010	Cogswell	D12/163	D637,532 S *	5/2011	Miyazawa	D12/163
D627,686 S *	11/2010	Thompson et al.	D12/91	D651,142 S *	12/2011	Fushimi	D12/163
D634,676 S *	3/2011	Iida	D12/163	D670,214 S *	11/2012	Watanabe	D12/163

* cited by examiner

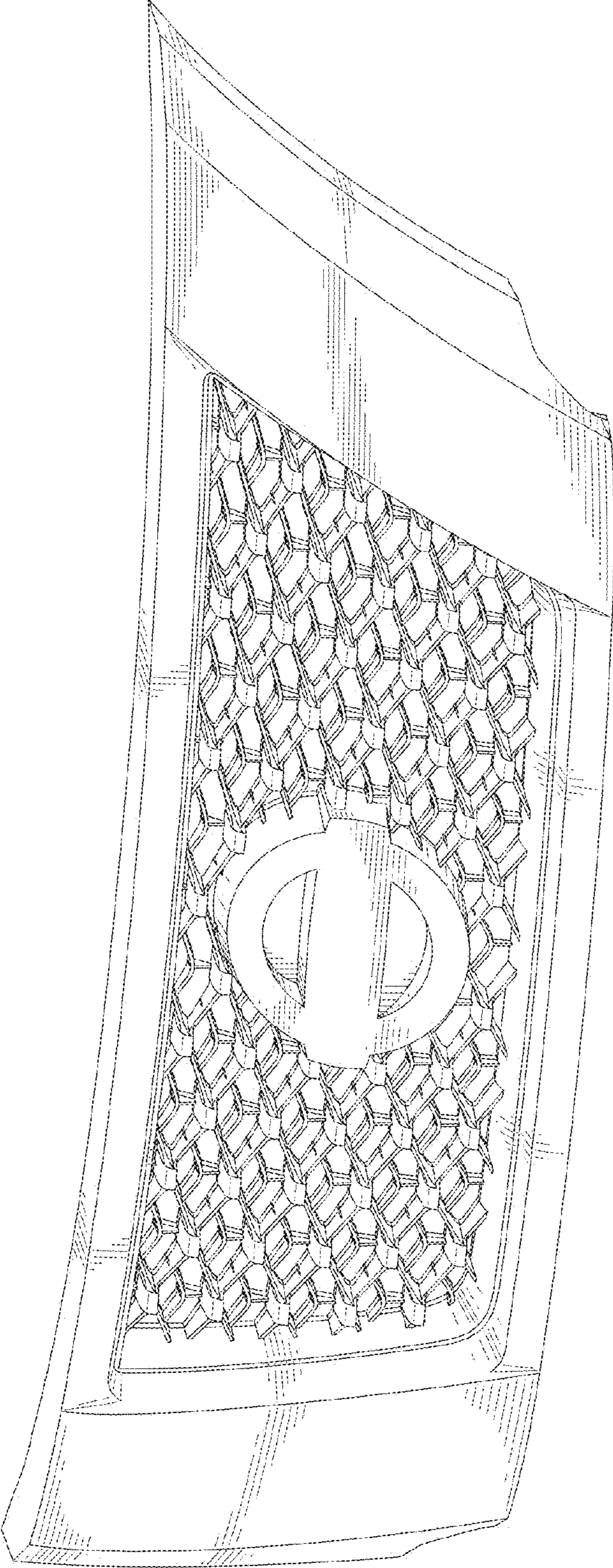


FIG. 1

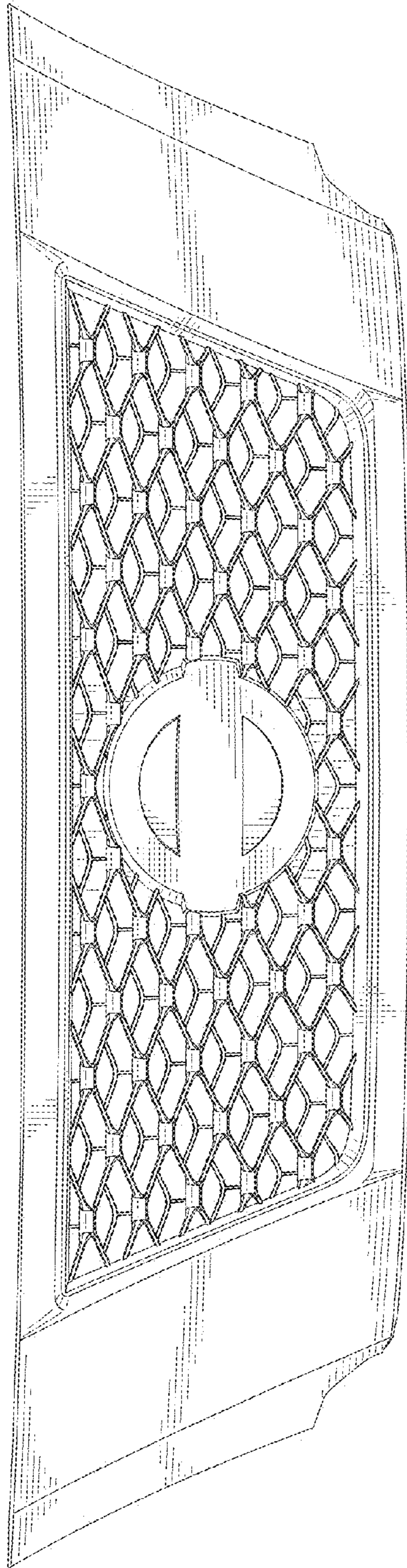


FIG. 2

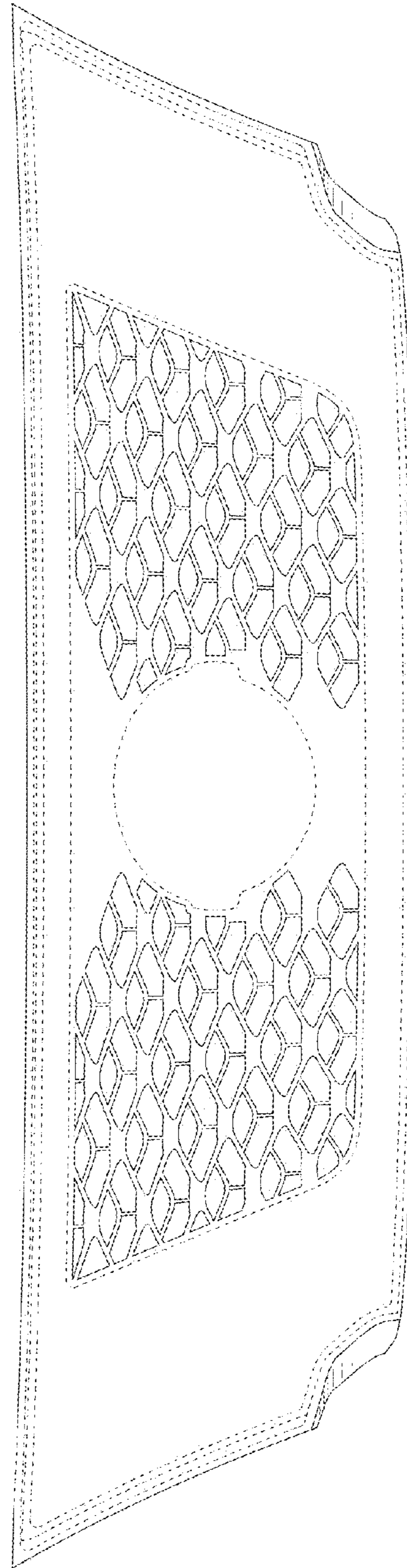


FIG. 3

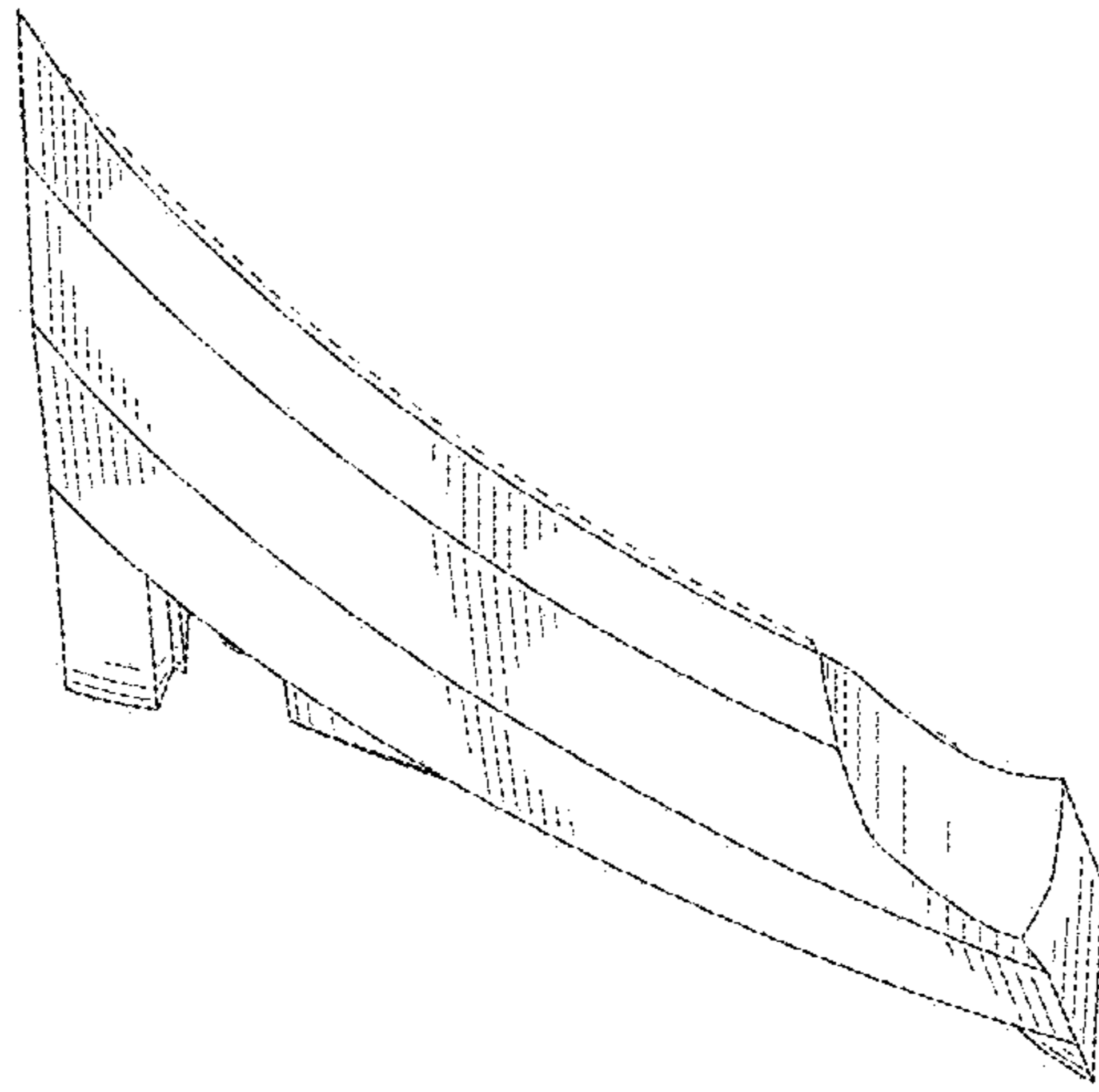


FIG. 5

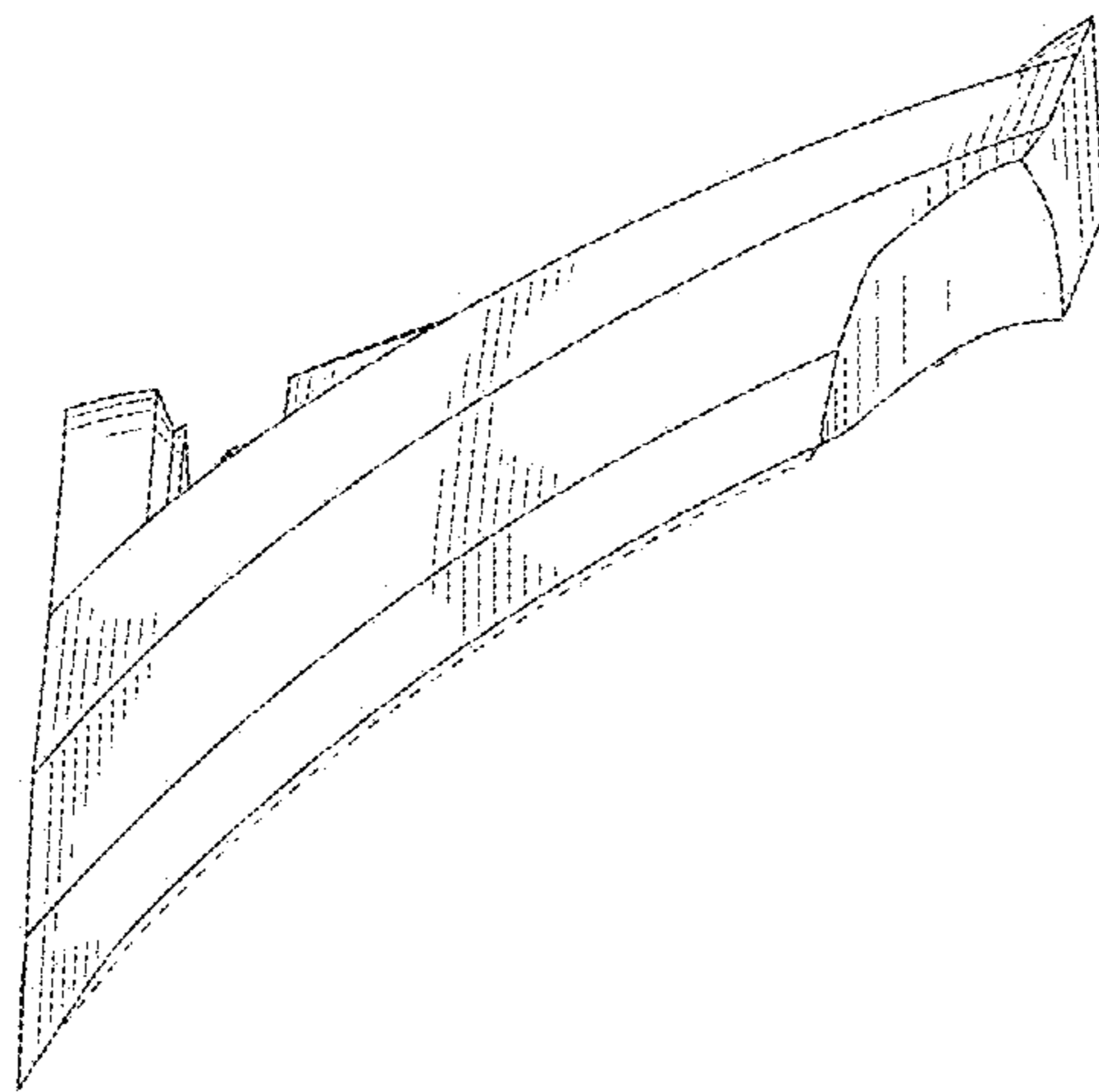


FIG. 4

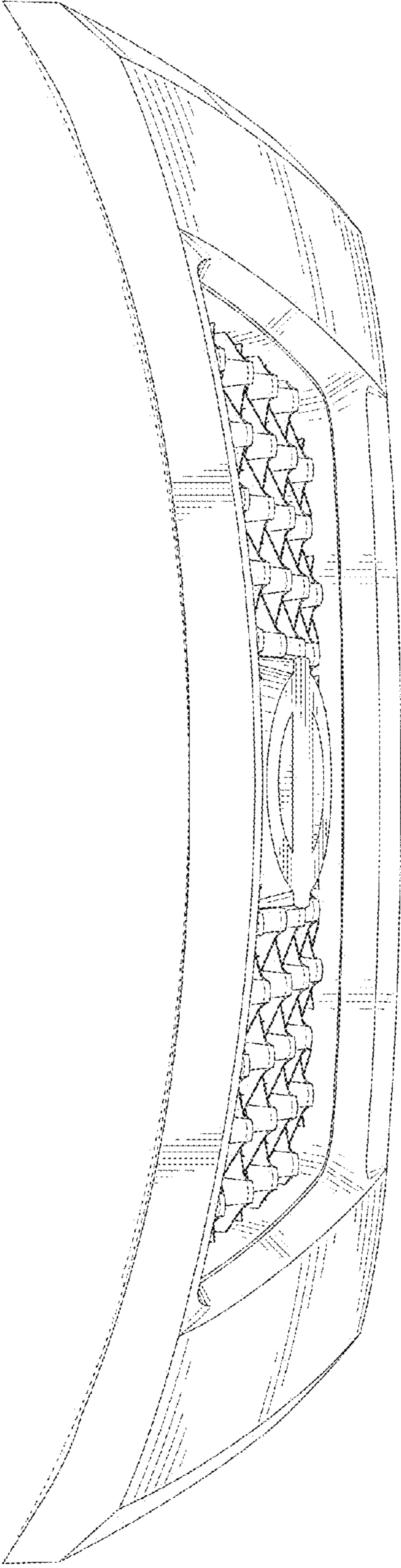


FIG. 6

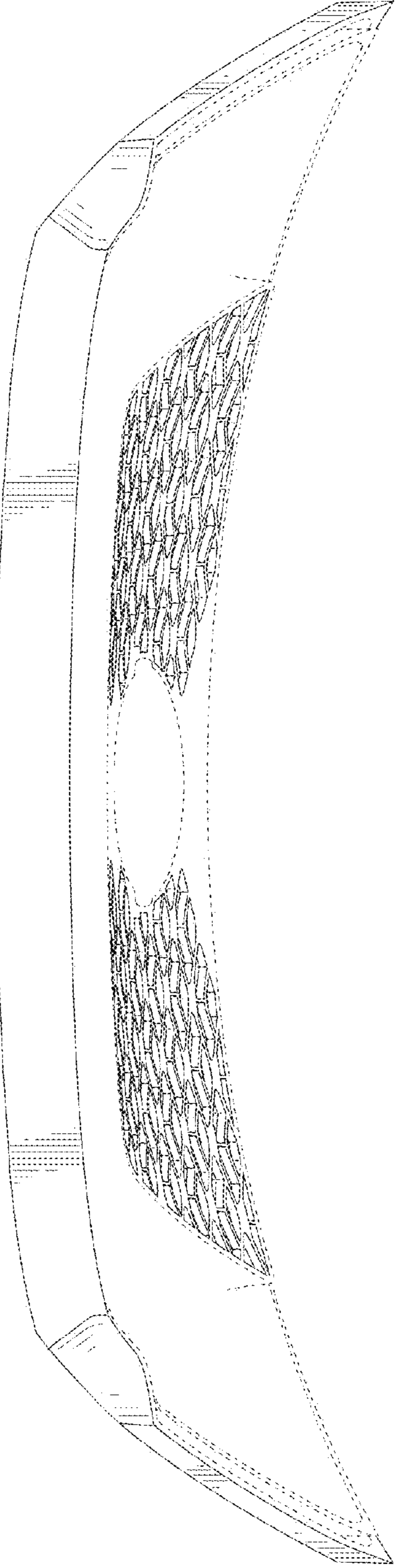


FIG. 7

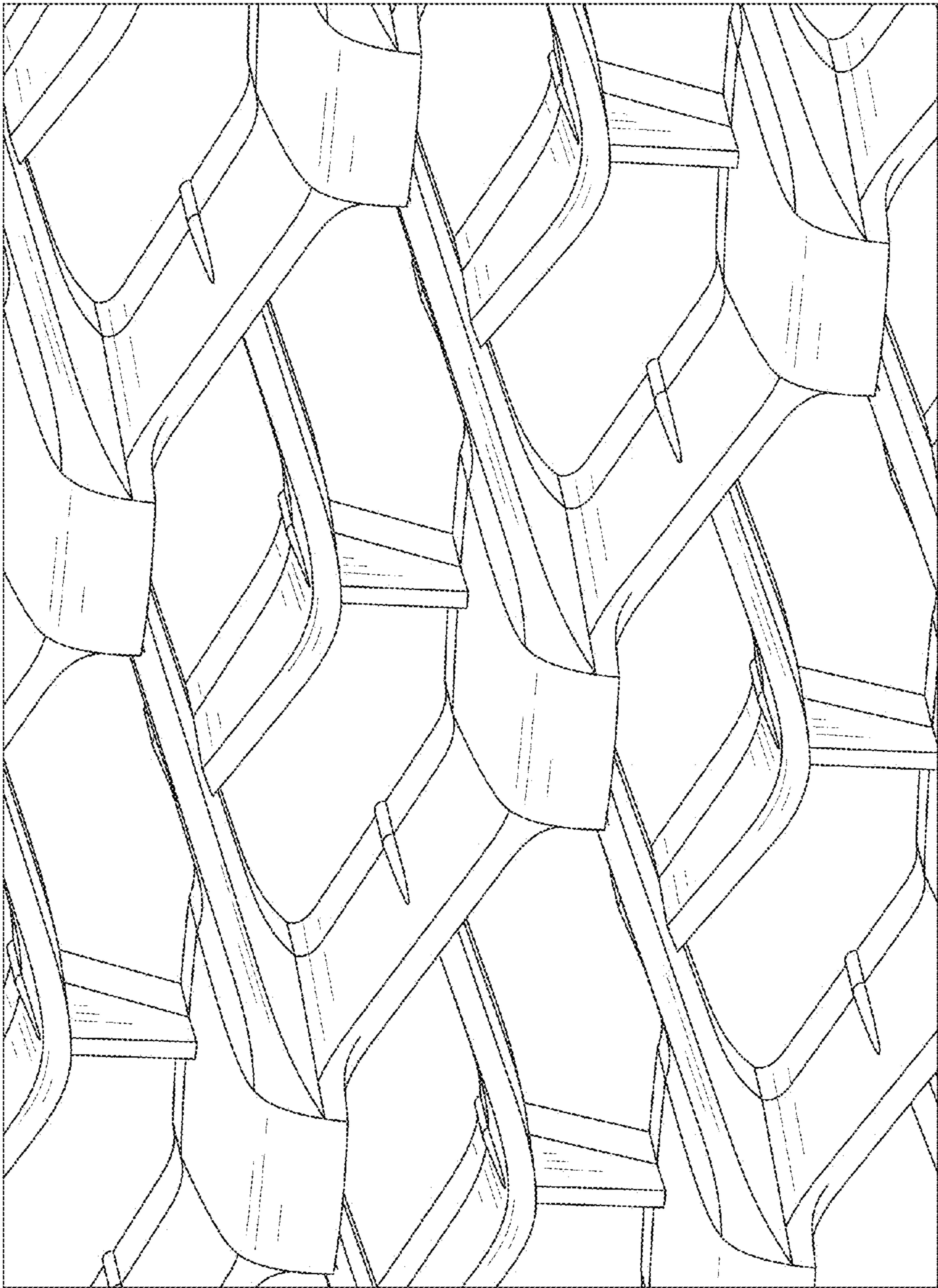


FIG. 8