



US00D682752S

(12) **United States Design Patent**  
**Yoshida et al.**

(10) **Patent No.:** **US D682,752 S**

(45) **Date of Patent:** **\*\* May 21, 2013**

(54) **RADIATOR GRILL FOR AUTOMOBILE**

(75) Inventors: **Minoru Yoshida**, Kanagawa-ken (JP);  
**Hiroshi Kawano**, Kanagawa-ken (JP);  
**Masanobu Ino**, Kanagawa-ken (JP);  
**Patrick Reimer**, London (GB); **Marc Cogswell**, San Diego, CA (US)

(73) Assignee: **Nissan Jidosha Kabushiki Kaisha**,  
Kanagawa (JP)

(\*\*) Term: **14 Years**

(21) Appl. No.: **29/414,228**

(22) Filed: **Feb. 27, 2012**

(30) **Foreign Application Priority Data**

Dec. 21, 2011 (JP) ..... 2011-029570

(51) **LOC (9) Cl.** ..... **12-16**

(52) **U.S. Cl.**  
USPC ..... **D12/163**

(58) **Field of Classification Search** ..... D12/82,  
D12/86, 90, 91, 92, 163, 164, 170, 171, 216;  
D23/393; 180/68.1, 68.6; 296/193.1, 193.11;  
293/102, 113, 115, 117

See application file for complete search history.

(56) **References Cited**

**U.S. PATENT DOCUMENTS**

|                |         |                 |       |         |
|----------------|---------|-----------------|-------|---------|
| D452,837 S *   | 1/2002  | Kitamura et al. | ..... | D12/163 |
| D475,662 S *   | 6/2003  | Koizumi et al.  | ..... | D12/163 |
| D497,849 S *   | 11/2004 | Yanase          | ..... | D12/163 |
| 6,969,097 B2 * | 11/2005 | Tanaka          | ..... | 293/115 |
| D523,381 S *   | 6/2006  | Taguchi et al.  | ..... | D12/163 |
| D537,019 S *   | 2/2007  | Pfeiffer        | ..... | D12/163 |
| D551,145 S *   | 9/2007  | Canitano        | ..... | D12/196 |
| D557,184 S *   | 12/2007 | Janik           | ..... | D12/163 |

|              |         |                 |       |         |
|--------------|---------|-----------------|-------|---------|
| D562,196 S * | 2/2008  | Saito           | ..... | D12/163 |
| D572,635 S * | 7/2008  | Zheng           | ..... | D12/163 |
| D573,924 S * | 7/2008  | Tachibana       | ..... | D12/163 |
| D576,086 S * | 9/2008  | Ishizuka        | ..... | D12/163 |
| D584,198 S * | 1/2009  | Tamura          | ..... | D12/163 |
| D592,111 S * | 5/2009  | Janik et al.    | ..... | D12/163 |
| D602,820 S * | 10/2009 | Yukawa et al.   | ..... | D12/163 |
| D604,210 S * | 11/2009 | Kim             | ..... | D12/163 |
| D614,542 S * | 4/2010  | Kasai et al.    | ..... | D12/163 |
| D623,565 S * | 9/2010  | Cogswell        | ..... | D12/163 |
| D627,686 S * | 11/2010 | Thompson et al. | ..... | D12/91  |
| D634,676 S * | 3/2011  | Iida            | ..... | D12/163 |
| D635,065 S * | 3/2011  | Seo             | ..... | D12/163 |
| D637,532 S * | 5/2011  | Miyazawa        | ..... | D12/163 |
| D651,142 S * | 12/2011 | Fushimi         | ..... | D12/163 |
| D670,214 S * | 11/2012 | Watanabe        | ..... | D12/163 |

\* cited by examiner

*Primary Examiner* — Susan E Krakower

*Assistant Examiner* — John T Applewhite

(74) *Attorney, Agent, or Firm* — Fross Zelnick Lehrman &  
Zissu, P.C.; Charles T. J. Weigell, Esq.

(57) **CLAIM**

The ornamental design for a radiator grill for automobile, as shown and described.

**DESCRIPTION**

FIG. 1 is a perspective view of a radiator grill for automobile showing our new design;

FIG. 2 is a front view thereof;

FIG. 3 is a rear view thereof;

FIG. 4 is a left side view thereof;

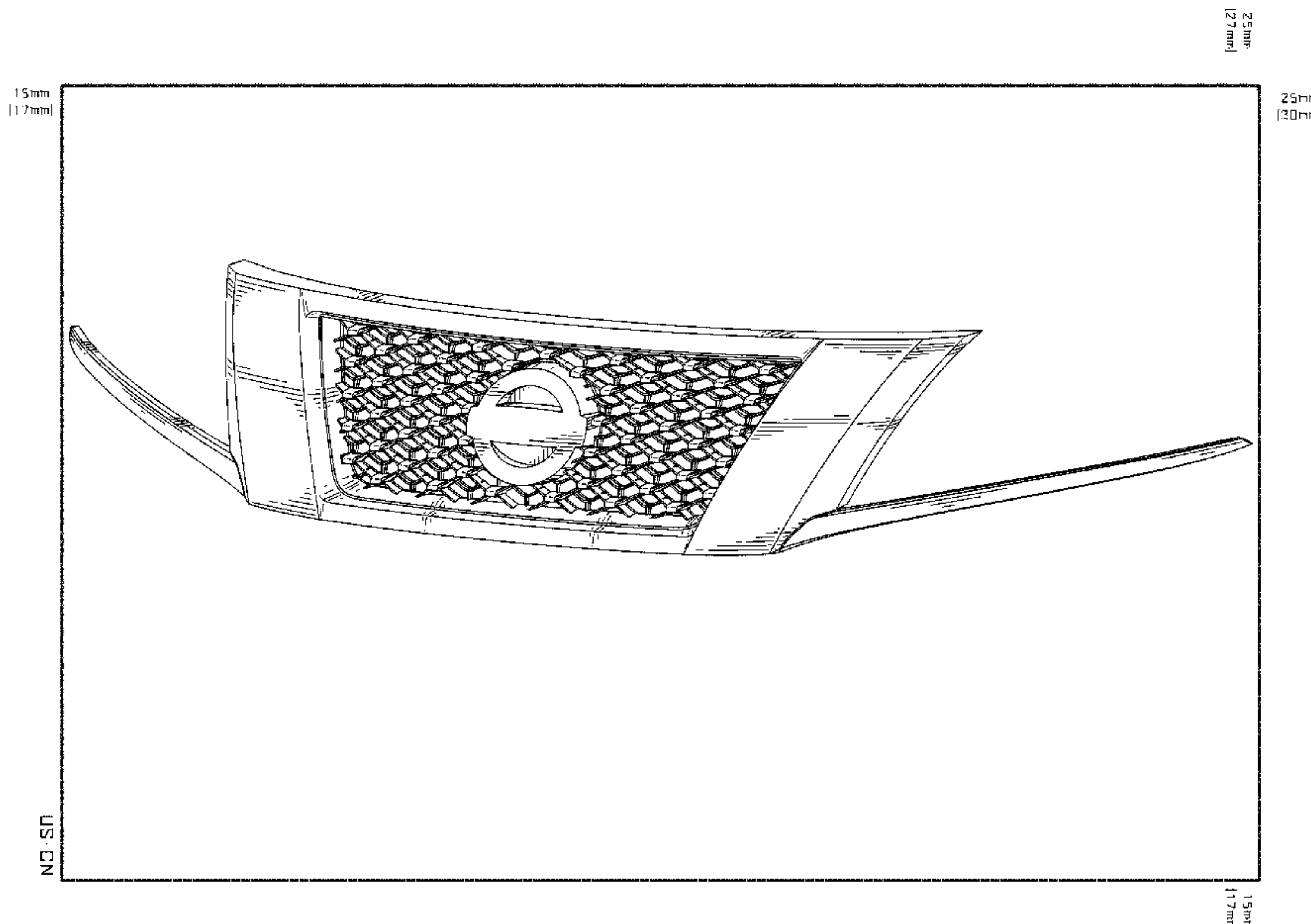
FIG. 5 is a right side view thereof;

FIG. 6 is a top view thereof; and,

FIG. 7 is a bottom view thereof.

The broken lines shown illustrate portions of the radiator grill for automobile that form no part of claimed design.

**1 Claim, 4 Drawing Sheets**



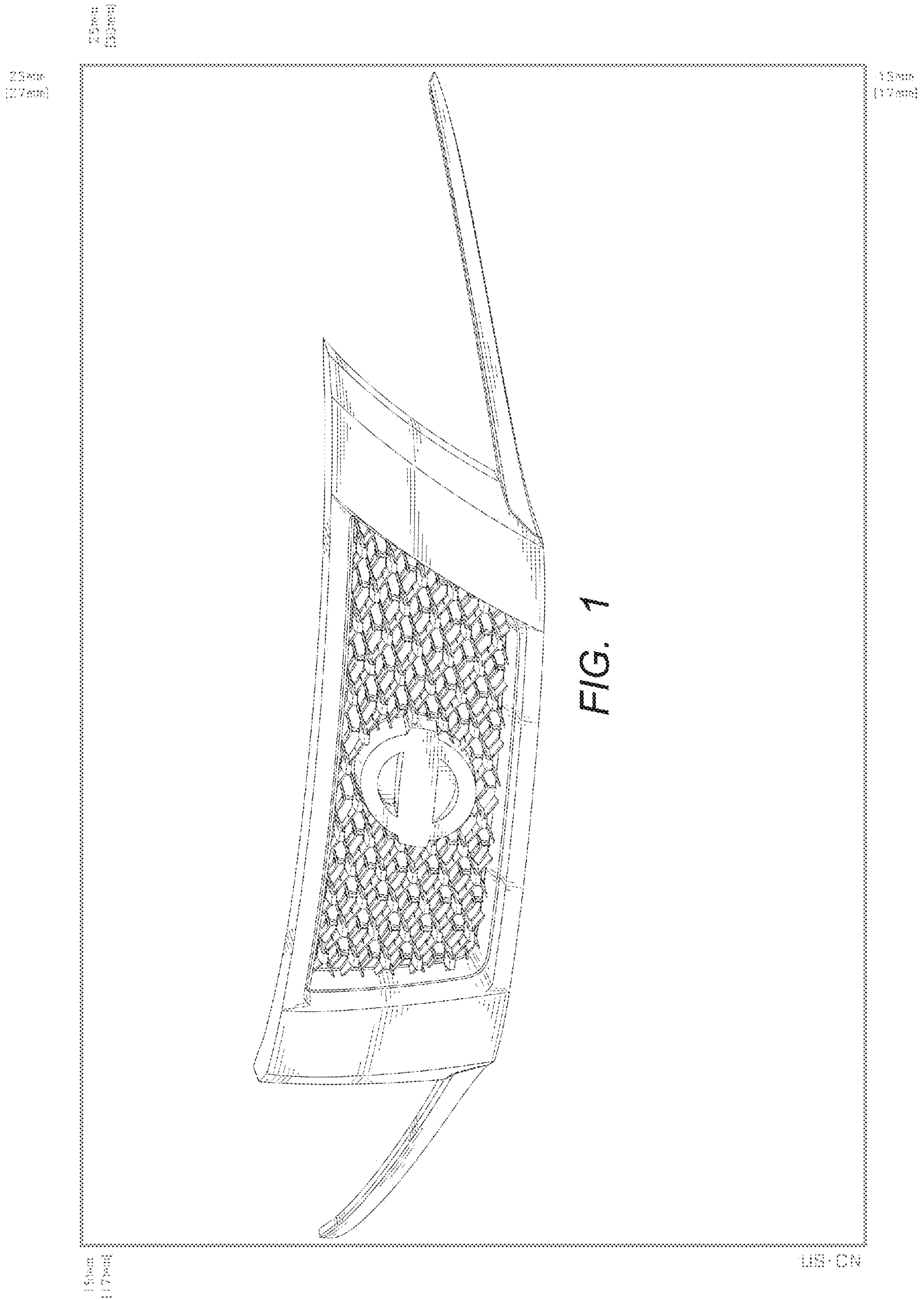


FIG. 1

15mm  
17mm

25mm  
(17mm)

15mm  
(17mm)

15mm  
17mm

US-CN



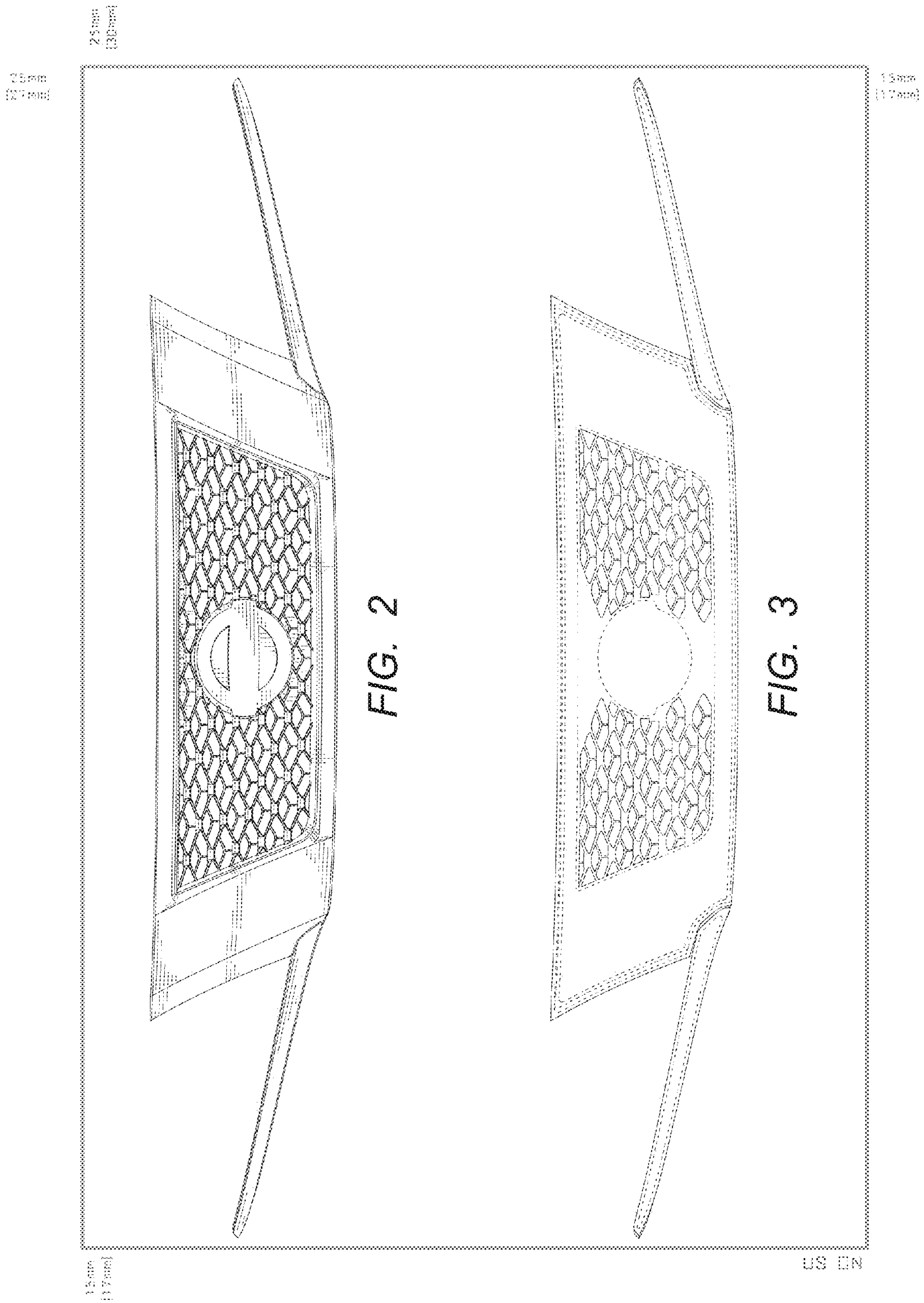


FIG. 2

FIG. 3

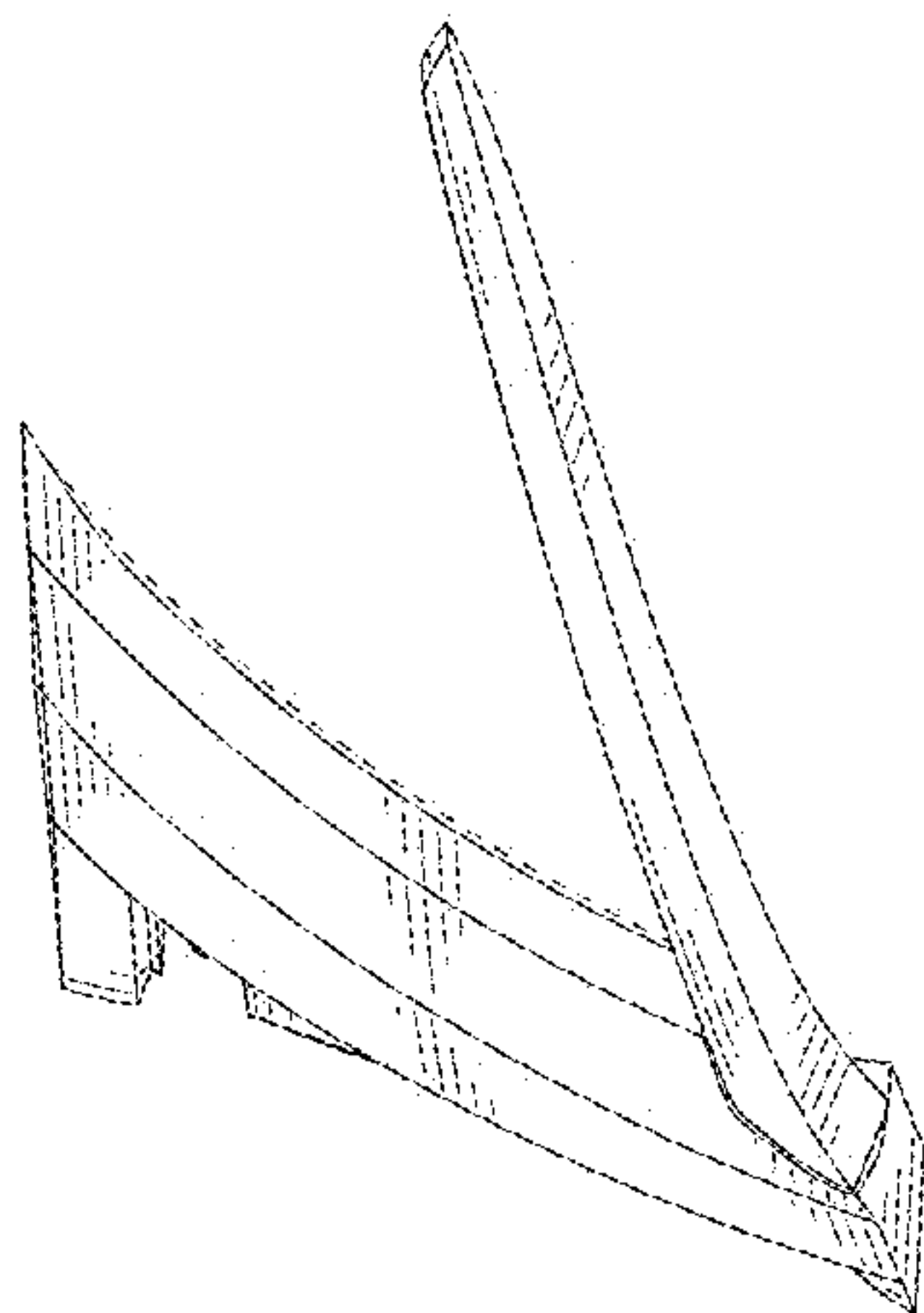


FIG. 5

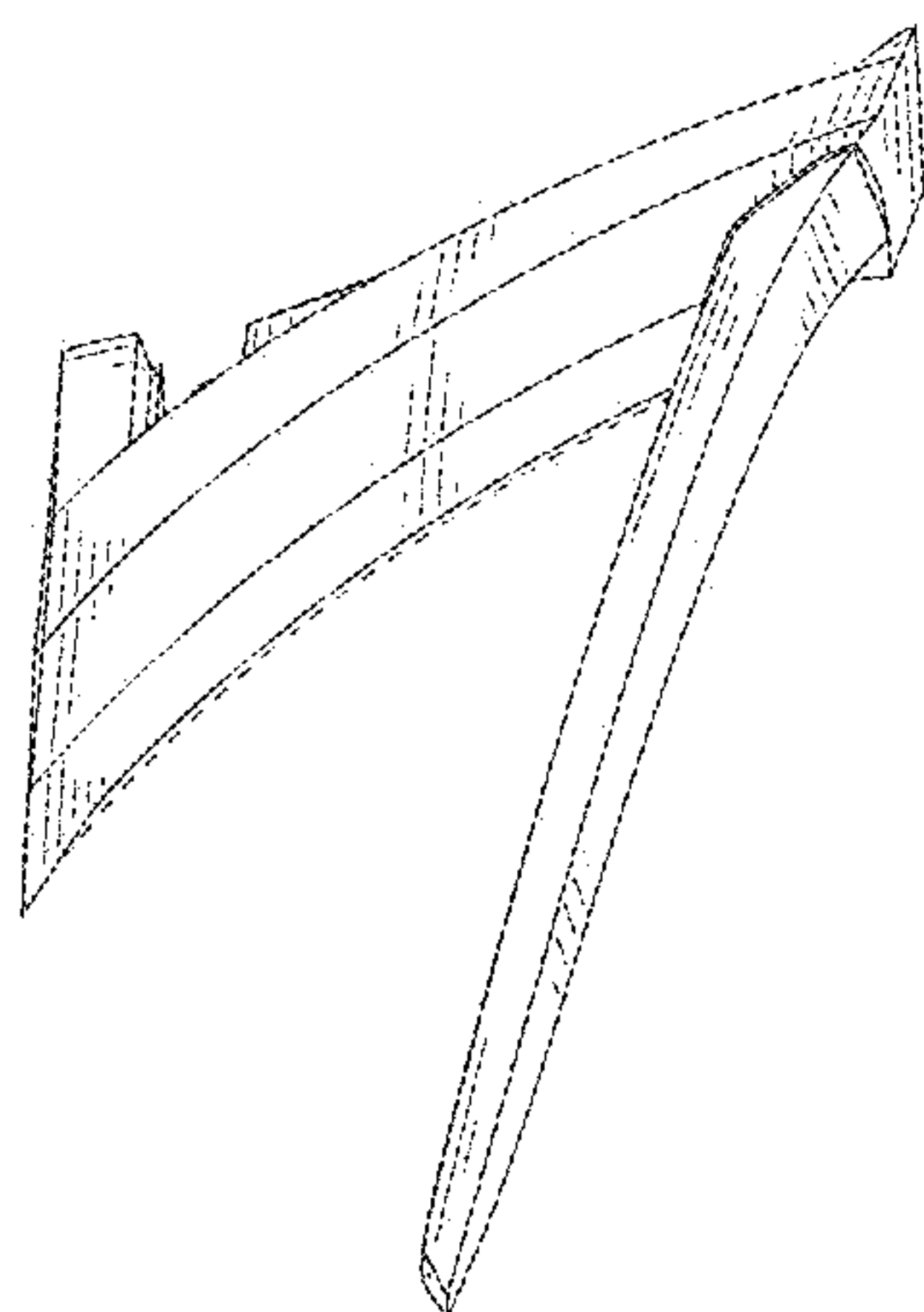


FIG. 4

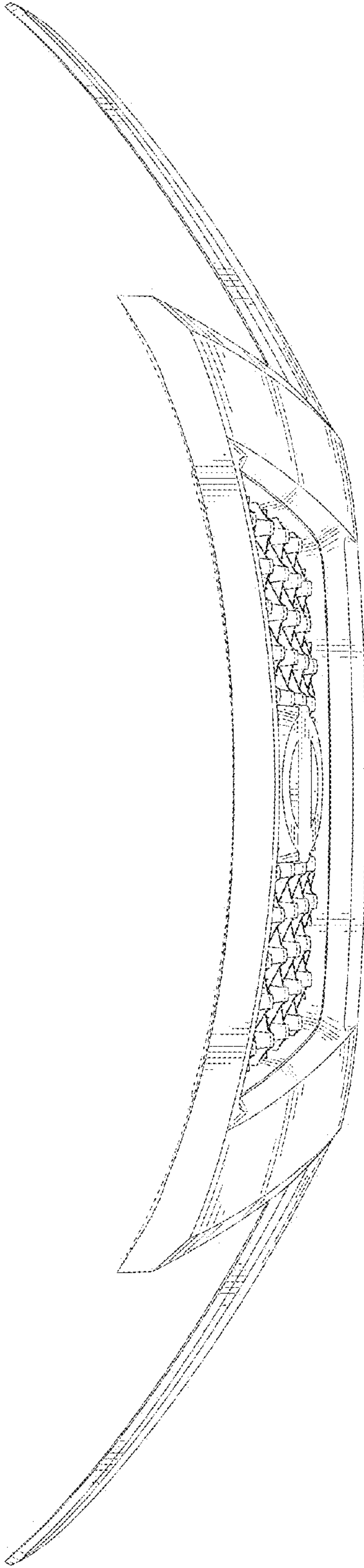


FIG. 6

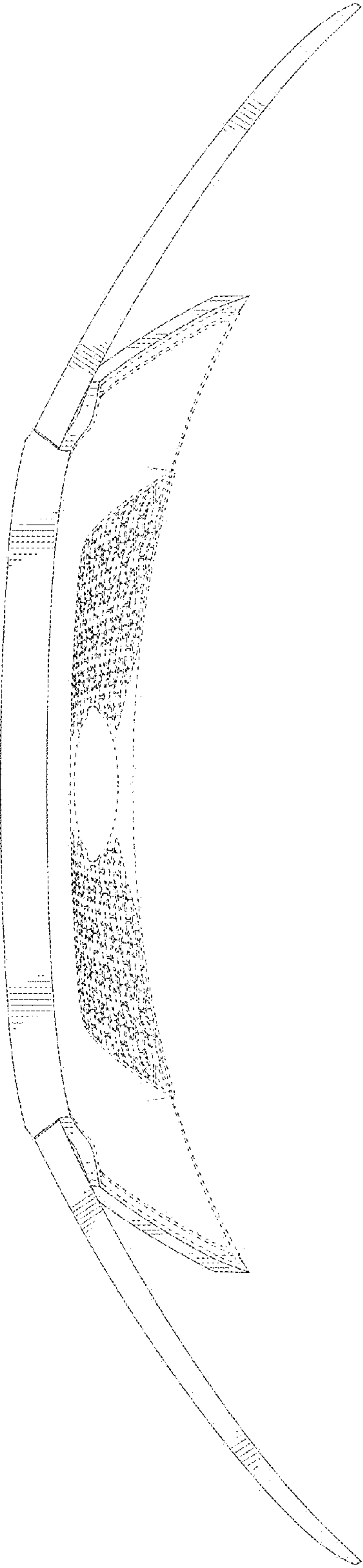


FIG. 7

UNITED STATES PATENT AND TRADEMARK OFFICE  
**CERTIFICATE OF CORRECTION**

PATENT NO. : D682,752 S  
APPLICATION NO. : 29/414228  
DATED : May 21, 2013  
INVENTOR(S) : Minoru Yoshida et al.

Page 1 of 4

It is certified that error appears in the above-identified patent and that said Letters Patent is hereby corrected as shown below:

Delete title page and substitute the attached title page therefor.

In the Drawings

Delete drawing sheets 1 and 2 and substitute the attached sheets 1 and 2 therefor.

Signed and Sealed this  
Twenty-second Day of October, 2013



Teresa Stanek Rea  
*Deputy Director of the United States Patent and Trademark Office*



(12) **United States Design Patent**  
**Yoshida et al.**

(10) **Patent No.:** **US D682,752 S**  
(45) **Date of Patent:** **\*\* May 21, 2013**

(54) **RADIATOR GRILL FOR AUTOMOBILE**

(75) Inventors: **Minoru Yoshida**, Kanagawa-ken (JP);  
**Hiroshi Kawano**, Kanagawa-ken (JP);  
**Masanobu Ino**, Kanagawa-ken (JP);  
**Patrick Reimer**, London (GB); **Marc Cogswell**, San Diego, CA (US)

(73) Assignee: **Nissan Jidosha Kabushiki Kaisha**,  
Kanagawa (JP)

(\*\*) Term: **14 Years**

(21) Appl. No.: **29/414,228**

(22) Filed: **Feb. 27, 2012**

(30) **Foreign Application Priority Data**

Dec. 21, 2011 (JP) ..... 2011-029570

(51) **LOC (9) Cl.** ..... **12-16**

(52) **U.S. Cl.**  
USPC ..... **D12/163**

(58) **Field of Classification Search** ..... D12/82,  
D12/86, 90, 91, 92, 163, 164, 170, 171, 216;  
D23/393; 180/68.1, 68.6; 296/193.1, 193.11;  
293/102, 113, 115, 117

See application file for complete search history.

(56) **References Cited**

U.S. PATENT DOCUMENTS

|                |         |                 |         |
|----------------|---------|-----------------|---------|
| D452,837 S *   | 1/2002  | Kitamura et al. | D12/163 |
| D475,662 S *   | 6/2003  | Koizumi et al.  | D12/163 |
| D497,849 S *   | 11/2004 | Yanase          | D12/163 |
| 6,969,097 B2 * | 11/2005 | Tanaka          | 293/115 |
| D523,381 S *   | 6/2006  | Taguchi et al.  | D12/163 |
| D537,019 S *   | 2/2007  | Pfeiffer        | D12/163 |
| D551,145 S *   | 9/2007  | Canitano        | D12/196 |
| D557,184 S *   | 12/2007 | Janik           | D12/163 |

|              |         |                 |         |
|--------------|---------|-----------------|---------|
| D562,196 S * | 2/2008  | Saito           | D12/163 |
| D572,635 S * | 7/2008  | Zheng           | D12/163 |
| D573,924 S * | 7/2008  | Tachibana       | D12/163 |
| D576,086 S * | 9/2008  | Ishizuka        | D12/163 |
| D584,198 S * | 1/2009  | Tamura          | D12/163 |
| D592,111 S * | 5/2009  | Janik et al.    | D12/163 |
| D602,820 S * | 10/2009 | Yukawa et al.   | D12/163 |
| D604,210 S * | 11/2009 | Kim             | D12/163 |
| D614,542 S * | 4/2010  | Kasai et al.    | D12/163 |
| D623,565 S * | 9/2010  | Cogswell        | D12/163 |
| D627,686 S * | 11/2010 | Thompson et al. | D12/91  |
| D634,676 S * | 3/2011  | Iida            | D12/163 |
| D635,065 S * | 3/2011  | Seo             | D12/163 |
| D637,532 S * | 5/2011  | Miyazawa        | D12/163 |
| D651,142 S * | 12/2011 | Fushimi         | D12/163 |
| D670,214 S * | 11/2012 | Watanabe        | D12/163 |

\* cited by examiner

*Primary Examiner* — Susan E Krakower

*Assistant Examiner* — John T Applewhite

(74) *Attorney, Agent, or Firm* — Fross Zelnick Lehrman & Zissu, P.C.; Charles T. J. Weigell, Esq.

(57) **CLAIM**

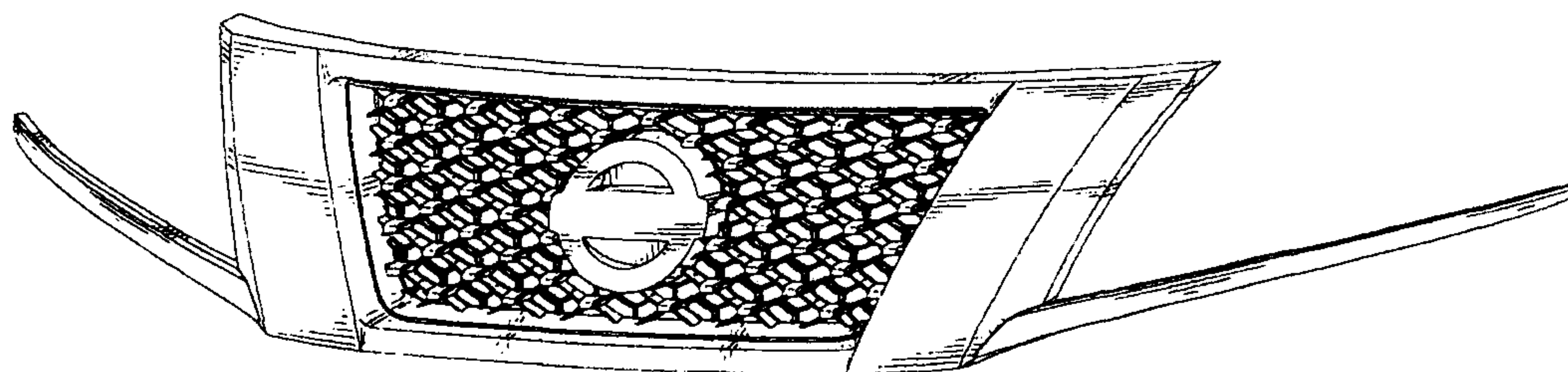
The ornamental design for a radiator grill for automobile, as shown and described.

**DESCRIPTION**

FIG. 1 is a perspective view of a radiator grill for automobile showing our new design;  
FIG. 2 is a front view thereof;  
FIG. 3 is a rear view thereof;  
FIG. 4 is a left side view thereof;  
FIG. 5 is a right side view thereof;  
FIG. 6 is a top view thereof; and,  
FIG. 7 is a bottom view thereof.

The broken lines shown illustrate portions of the radiator grill for automobile that form no part of claimed design.

**1 Claim, 4 Drawing Sheets**



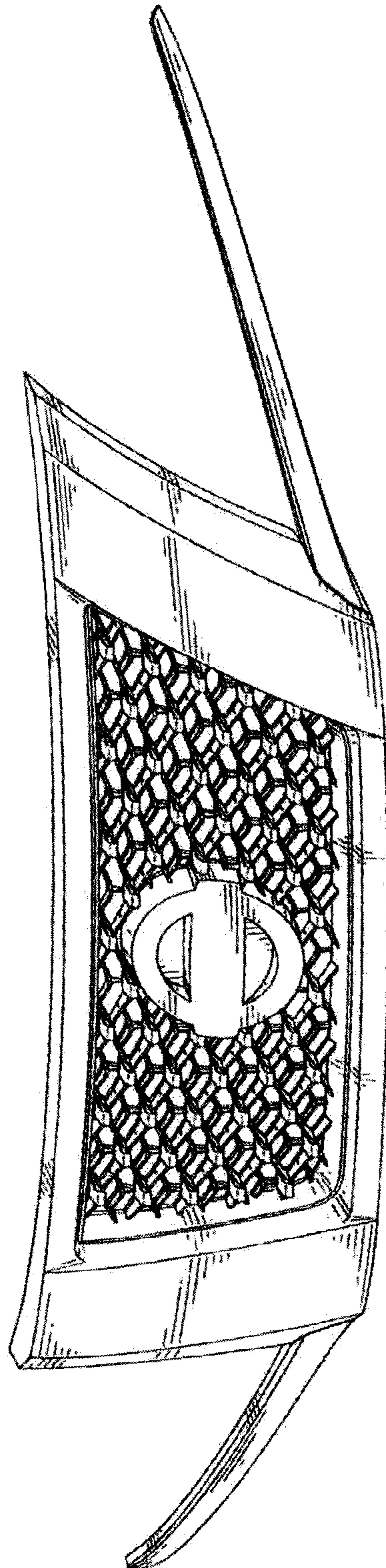


FIG. 1



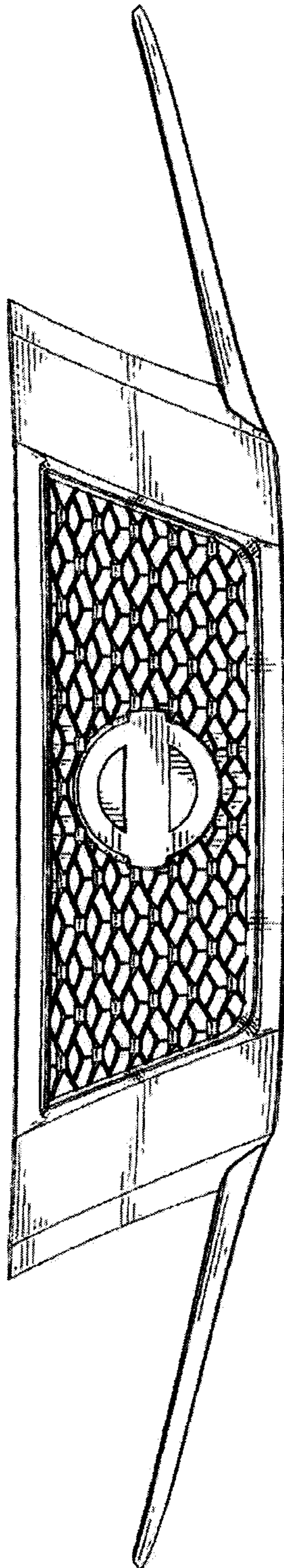


FIG. 2

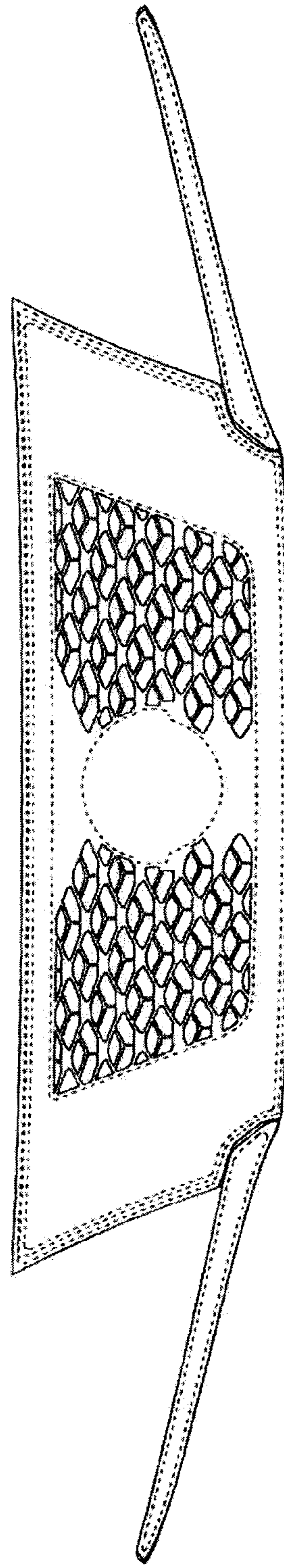


FIG. 3