



US00D682751S

(12) **United States Design Patent**
Borkholder

(10) **Patent No.:** **US D682,751 S**

(45) **Date of Patent:** **** May 21, 2013**

- (54) **ADJUSTABLE RECEIVER HITCH**
 - (71) Applicant: **Carl Borkholder**, Bremen, IN (US)
 - (72) Inventor: **Carl Borkholder**, Bremen, IN (US)
 - (**) Term: **14 Years**
 - (21) Appl. No.: **29/435,547**
 - (22) Filed: **Oct. 25, 2012**
 - (51) **LOC (9) Cl.** **12-16**
 - (52) **U.S. Cl.**
USPC **D12/162**
 - (58) **Field of Classification Search** D12/162,
D12/159, 160, 161; 56/DIG. 14; 37/399;
280/406.2, 407, 407.1, 408, 411.1, 416.1,
280/416.2, 416.3, 418, 418.1, 433, 434, 435,
280/441.1, 441.2, 455.1, 456.1, 480, 493,
280/504, 507, 508; 224/42.11, 42.12, 401,
224/412, 413, 488, 494, 500-501, 519, 537;
135/88.05; 150/166
- See application file for complete search history.

7,455,313	B2 *	11/2008	Yokosh et al.	280/507
D591,208	S *	4/2009	Wubker, Jr.	D12/162
D612,775	S *	3/2010	Davis	D12/162
D620,403	S *	7/2010	Blankenship et al.	D12/162
D628,128	S *	11/2010	Sanders et al.	D12/162
2012/0049484	A1 *	3/2012	Brass	280/507

* cited by examiner

Primary Examiner — Katrina A Betton

(74) *Attorney, Agent, or Firm* — QuickPatents; Kevin Prince

(57) **CLAIM**

I claim the ornamental design for an adjustable receiver hitch, as shown and described.

DESCRIPTION

FIG. 1 is a front left perspective view of an adjustable receiver hitch, showing my new design;
 FIG. 2 is a rear left perspective view thereof;
 FIG. 3 is a front elevational view thereof;
 FIG. 4 is a rear elevational view thereof;
 FIG. 5 is a right-side elevational view thereof, the left-side elevational view being a mirror image thereof;
 FIG. 6 is a top plan view thereof; and,
 FIG. 7 is a bottom plan view thereof.

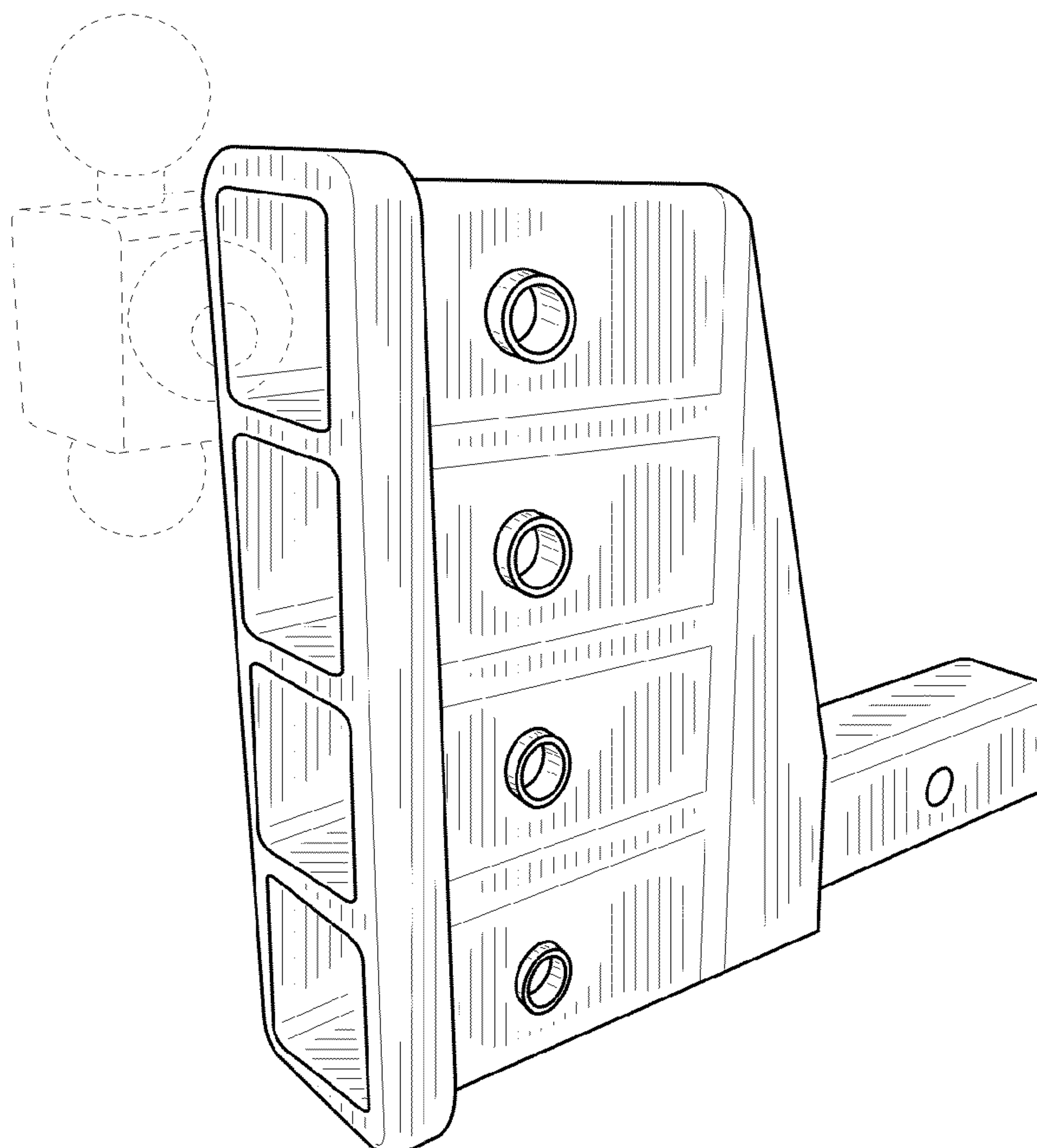
The broken lines showing a ball hitch in FIG. 1 depict environmental matter and form no part of the claimed design.

(56) **References Cited**

U.S. PATENT DOCUMENTS

3,782,761	A *	1/1974	Cardin, Sr.	280/507
D326,834	S *	6/1992	Kuhlemeier et al.	D12/162
D576,085	S *	9/2008	Devlin	D12/162

1 Claim, 3 Drawing Sheets



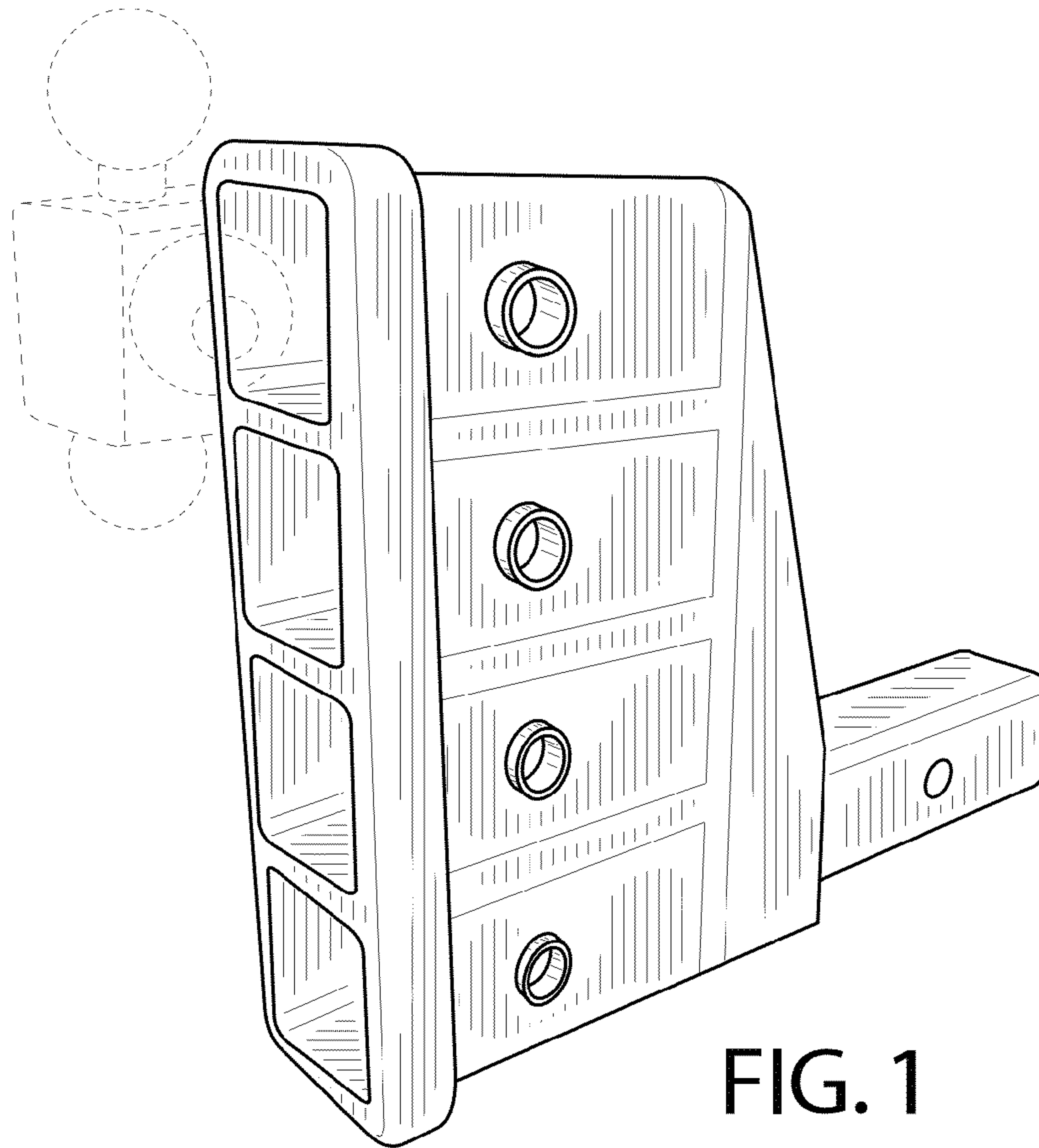


FIG. 1

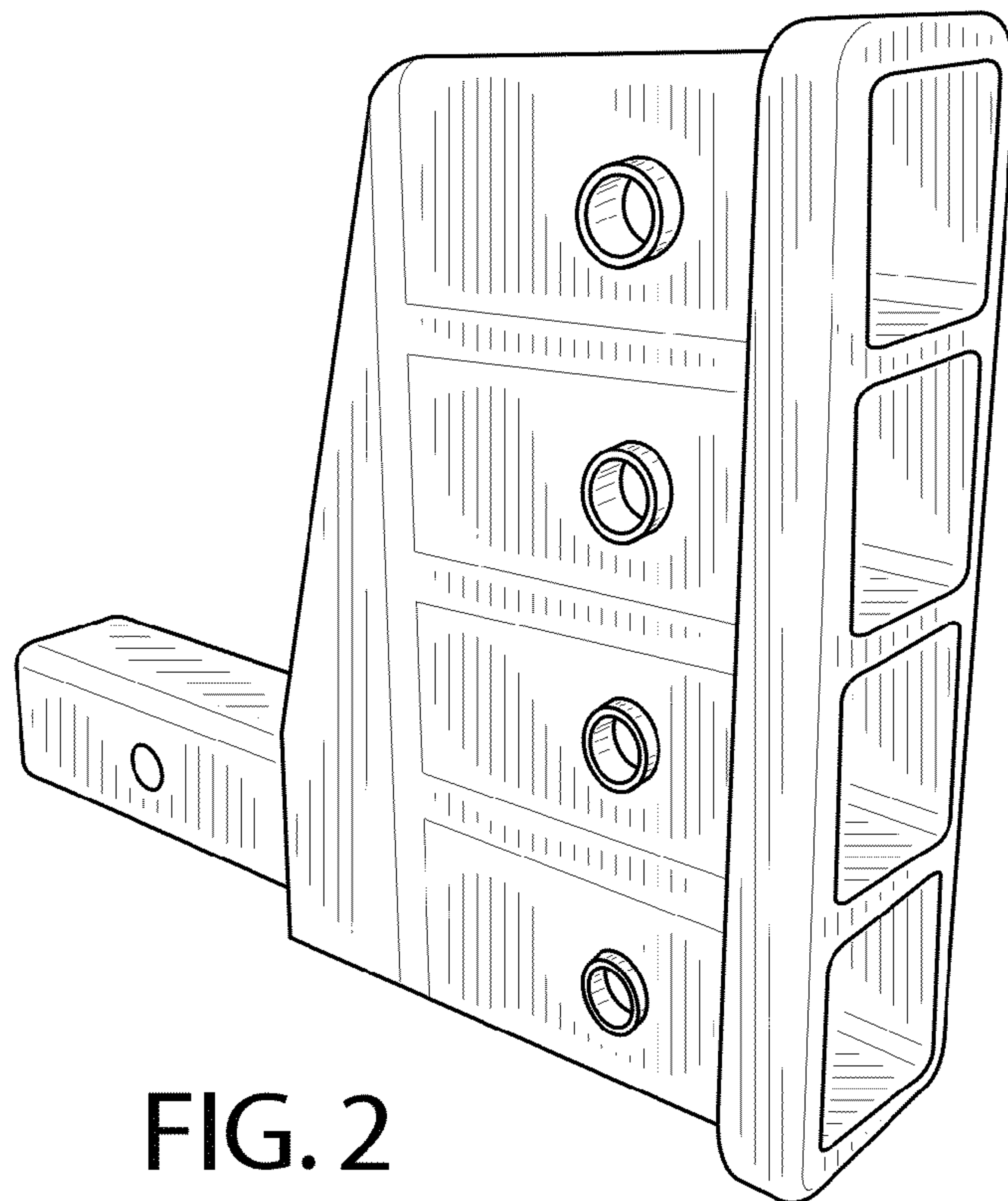


FIG. 2

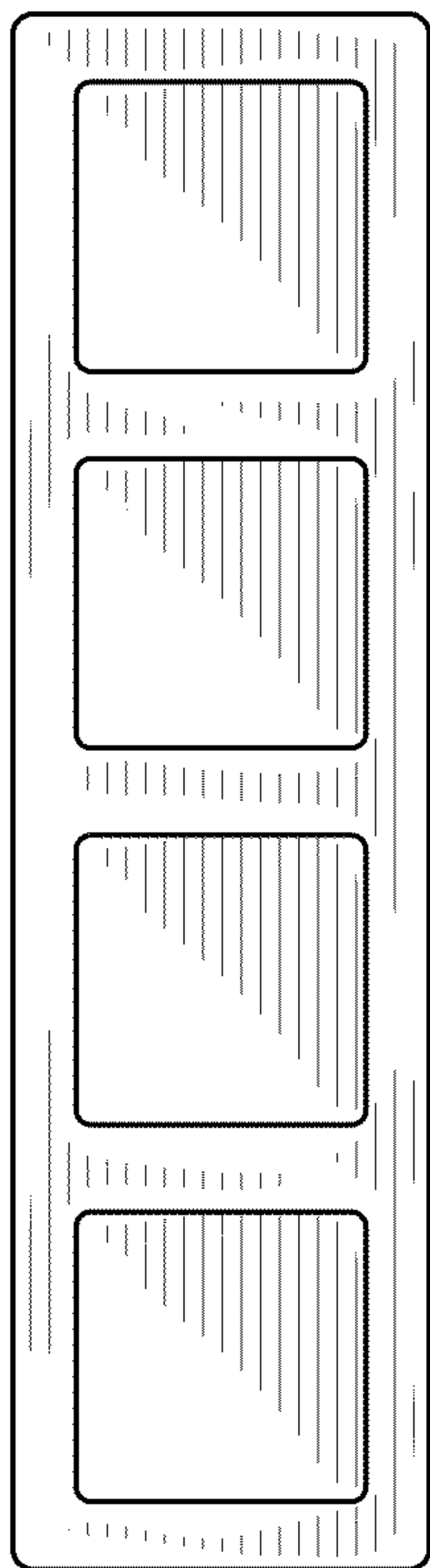


FIG. 3

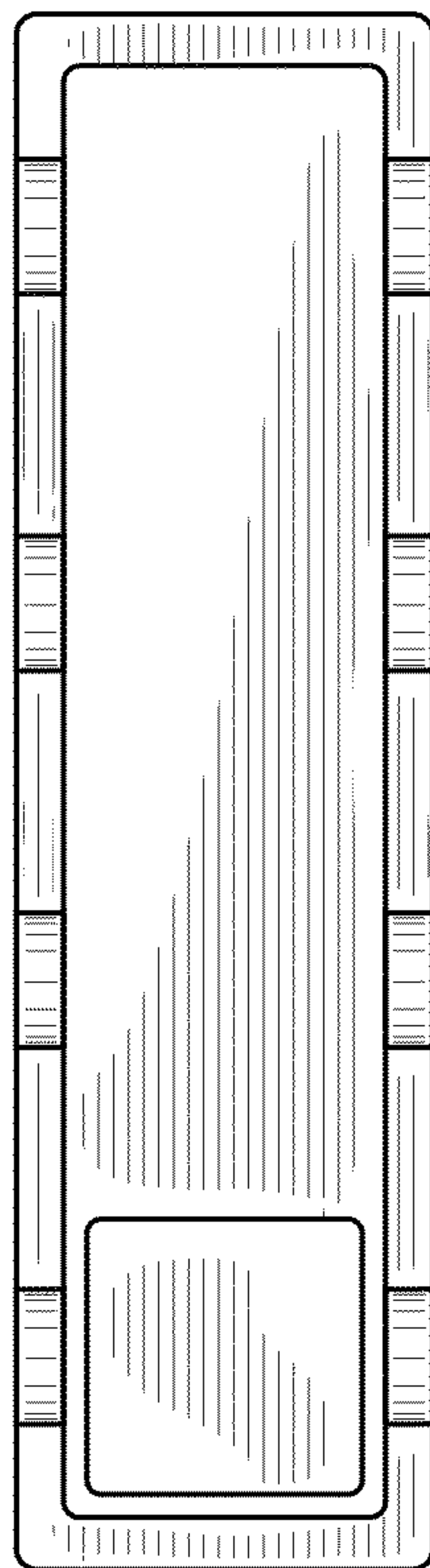


FIG. 4

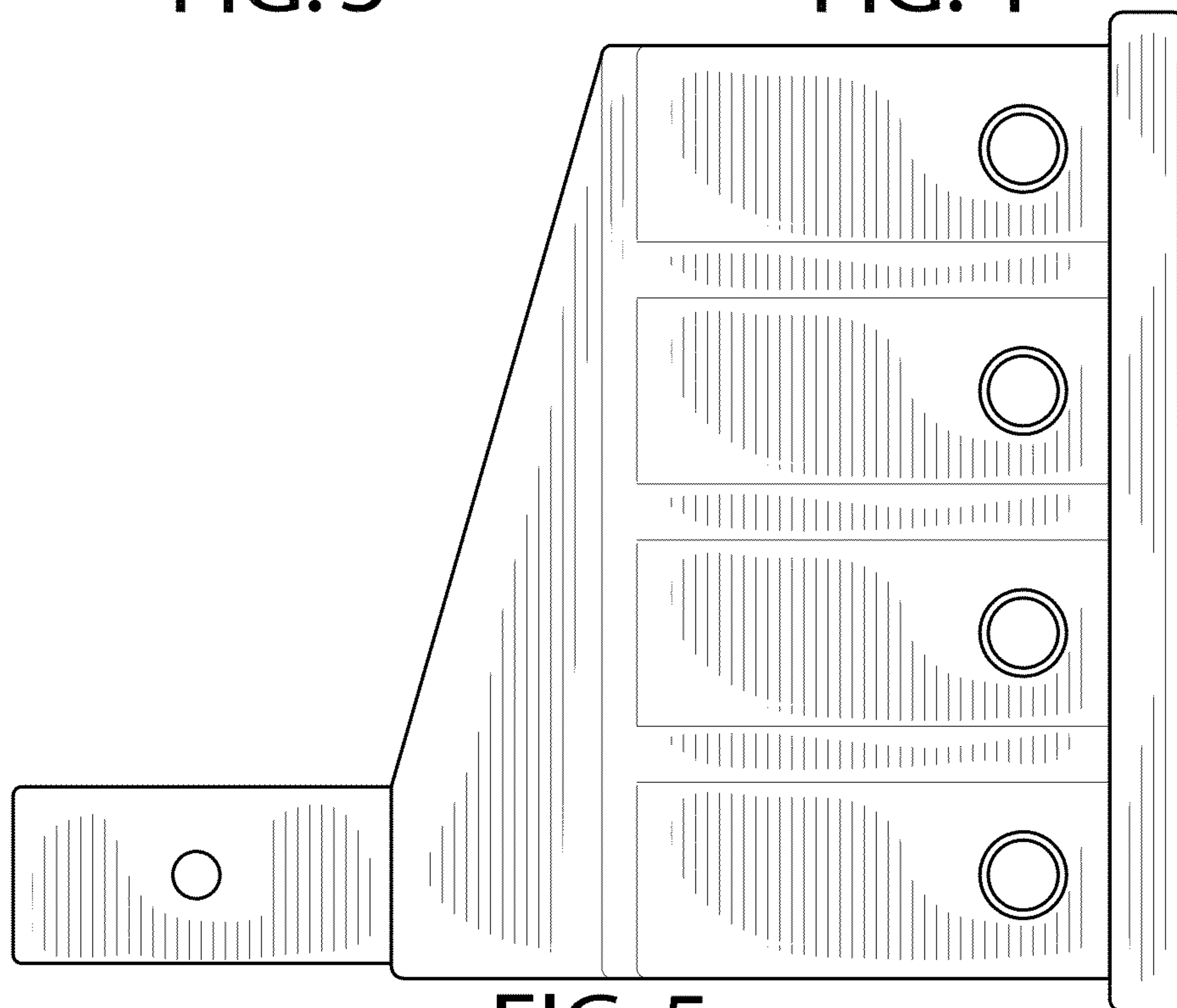


FIG. 5

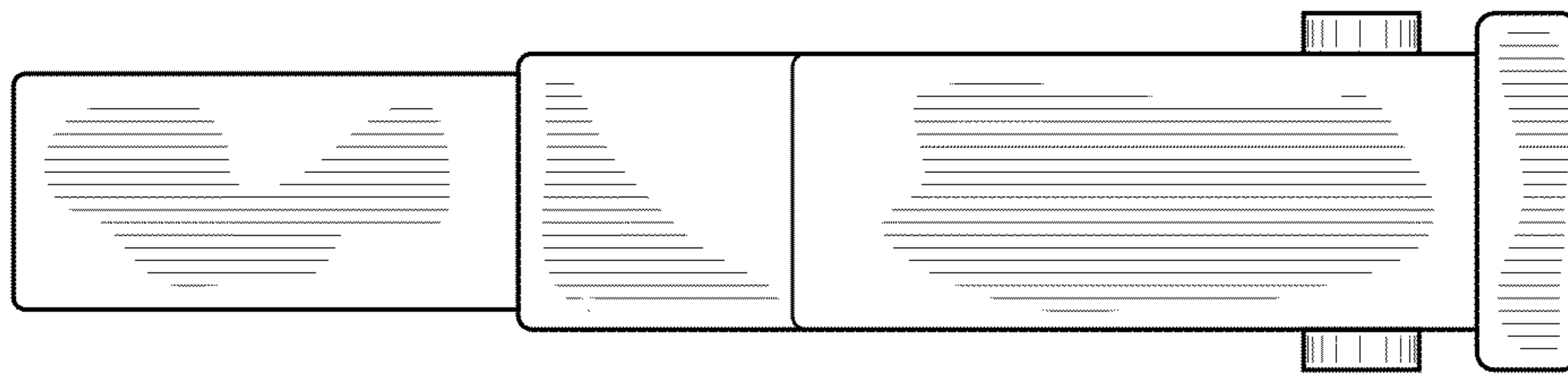


FIG. 6

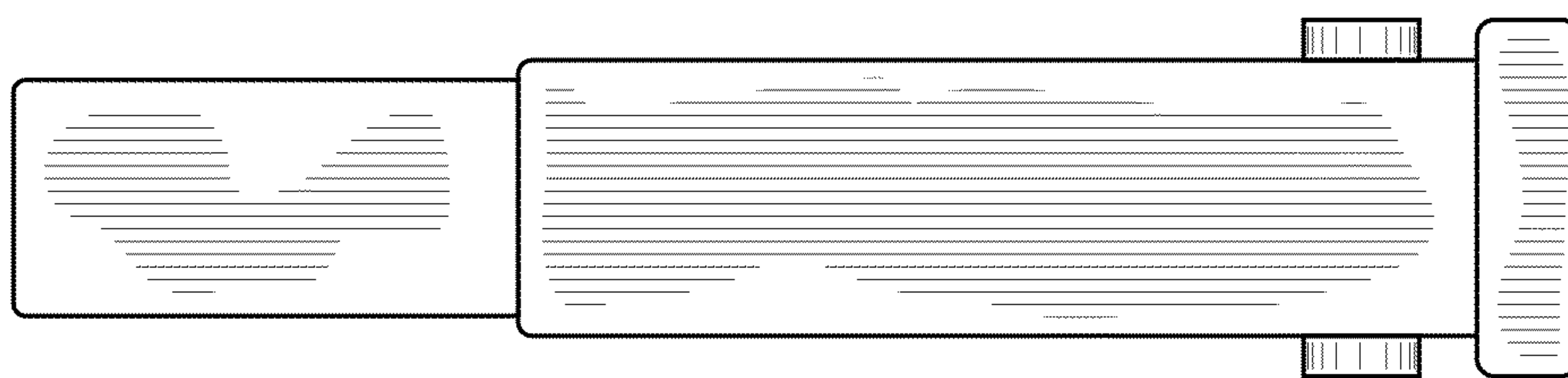


FIG. 7