



US00D682749S

(12) **United States Design Patent**
Lai

(10) **Patent No.:** **US D682,749 S**

(45) **Date of Patent:** **** May 21, 2013**

(54) **CHILD TRAILER**

(76) Inventor: **Chin-I Lai**, Tainan (TW)

(**) Term: **14 Years**

(21) Appl. No.: **29/397,994**

(22) Filed: **Jul. 25, 2011**

(51) **LOC (9) Cl.** **12-12**

(52) **U.S. Cl.**
USPC **D12/133**

(58) **Field of Classification Search** D12/128-133;
280/62, 647-650, 29, 200, 47.38, 250.1,
280/259, 642, 658, 304.1; 128/99.1, 100.1;
D34/17, 24

See application file for complete search history.

(56) **References Cited**

U.S. PATENT DOCUMENTS

D309,968	S *	8/1990	Parshall	D34/24
D341,460	S *	11/1993	Parshall et al.	D34/24
D426,793	S *	6/2000	Lundh	D12/133
D428,367	S *	7/2000	Lundh	D12/133
6,851,693	B2 *	2/2005	Haeggberg	280/204
7,070,198	B2 *	7/2006	Lin	280/655.1
D592,373	S *	5/2009	Evans et al.	D34/23
7,641,217	B2 *	1/2010	Yoo et al.	280/646

D615,724	S *	5/2010	Girard	D34/17
7,971,884	B2 *	7/2011	Lundh	280/32.7
8,029,007	B2 *	10/2011	Jones et al.	280/47.131

* cited by examiner

Primary Examiner — Ian Simmons

Assistant Examiner — Charles Hanson

(74) *Attorney, Agent, or Firm* — Muncy, Geissler, Olds & Lowe, PLLC

(57) **CLAIM**

The ornamental design for “child trailer,” as shown and described.

DESCRIPTION

FIG. 1 is a perspective view of “child trailer” showing my new design thereof;

FIG. 2 is a front side view from distance thereof;

FIG. 3 is a rear side view from distance thereof;

FIG. 4 is a left side view from distance thereof;

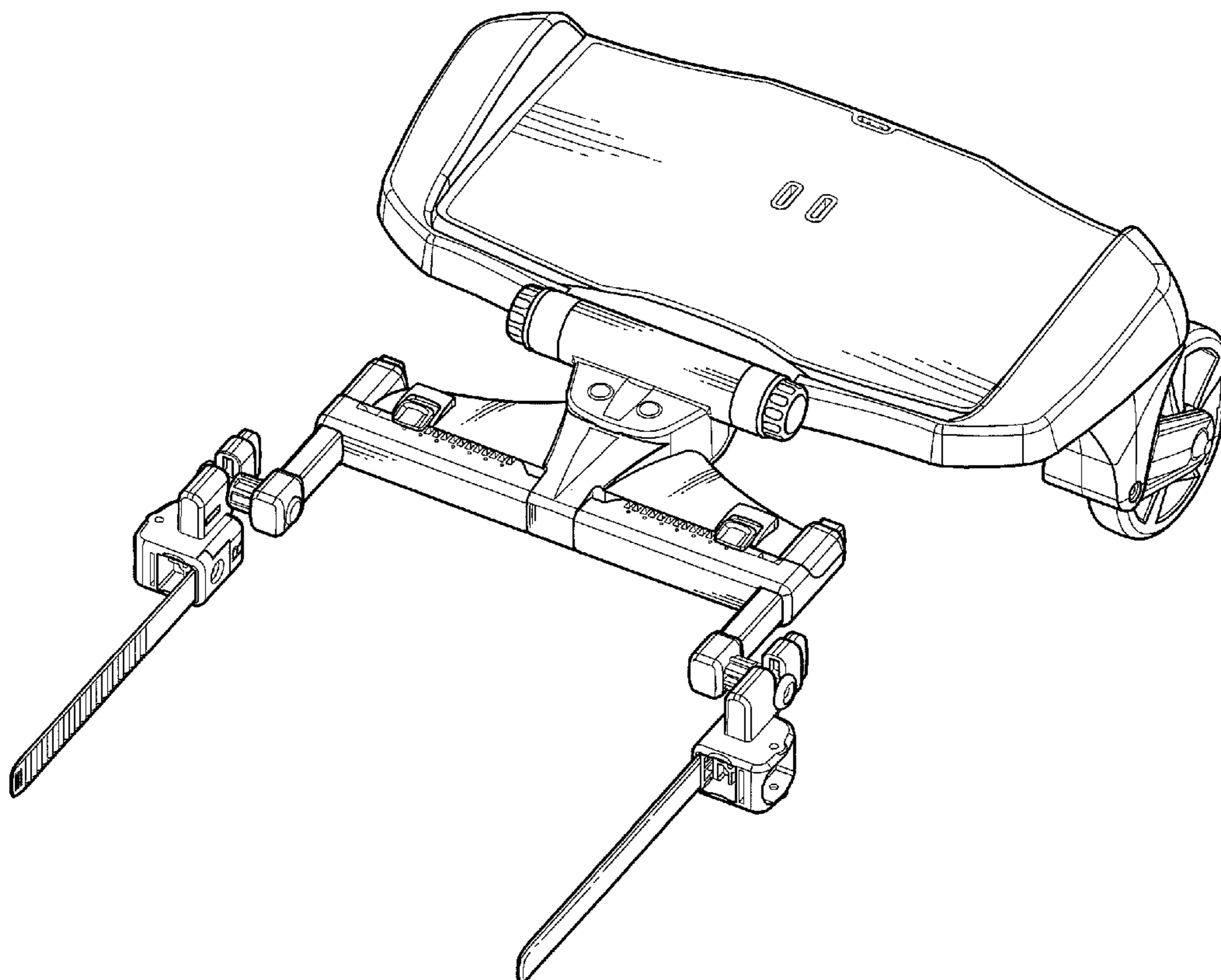
FIG. 5 is a right side view from distance thereof;

FIG. 6 is a top plan view thereof; and,

FIG. 7 is a bottom plan view thereof.

The broken line showing in FIG. 7 is included for the purpose of illustrating portions of the “child trailer” and forms no part of the claimed design.

1 Claim, 7 Drawing Sheets



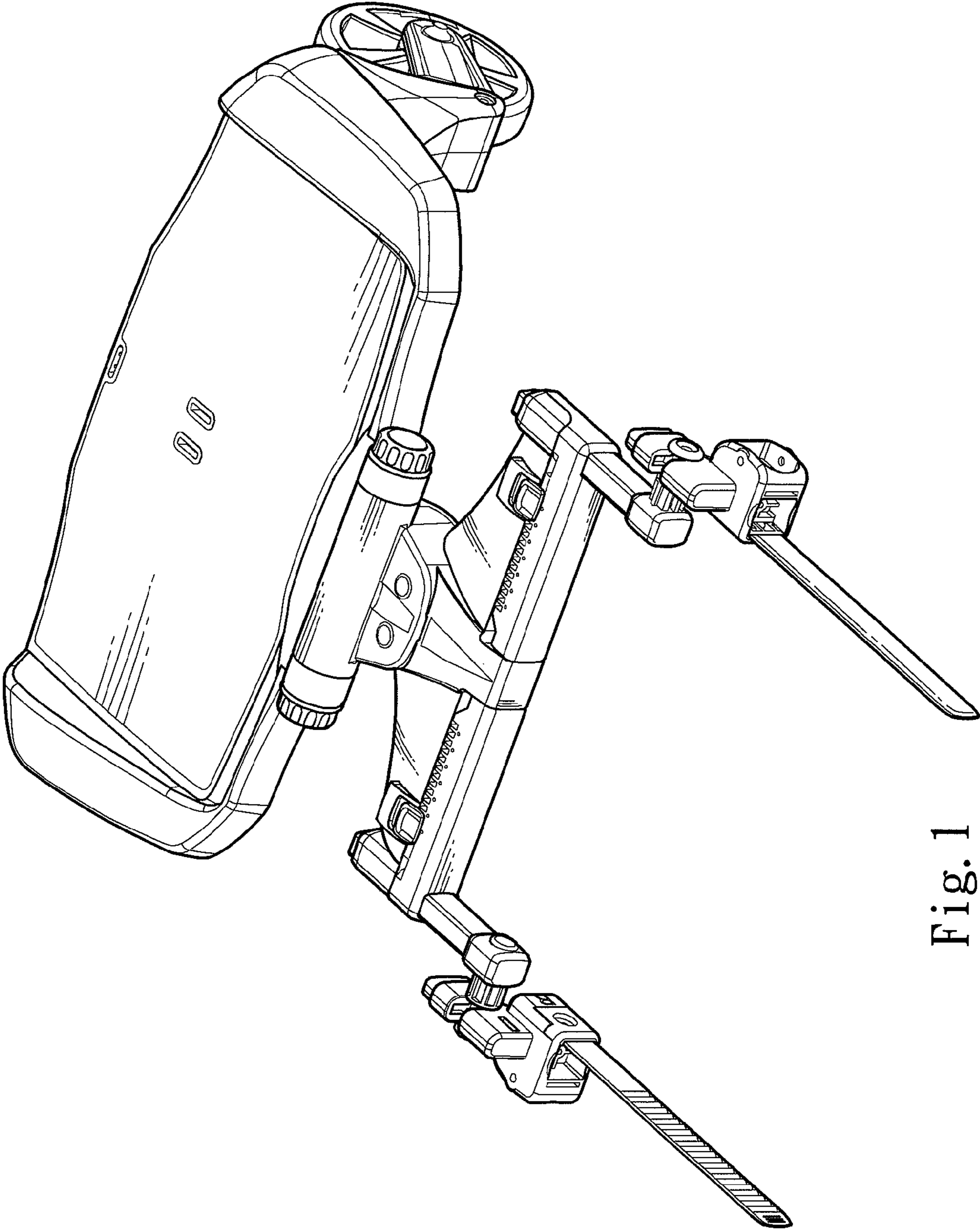


Fig. 1

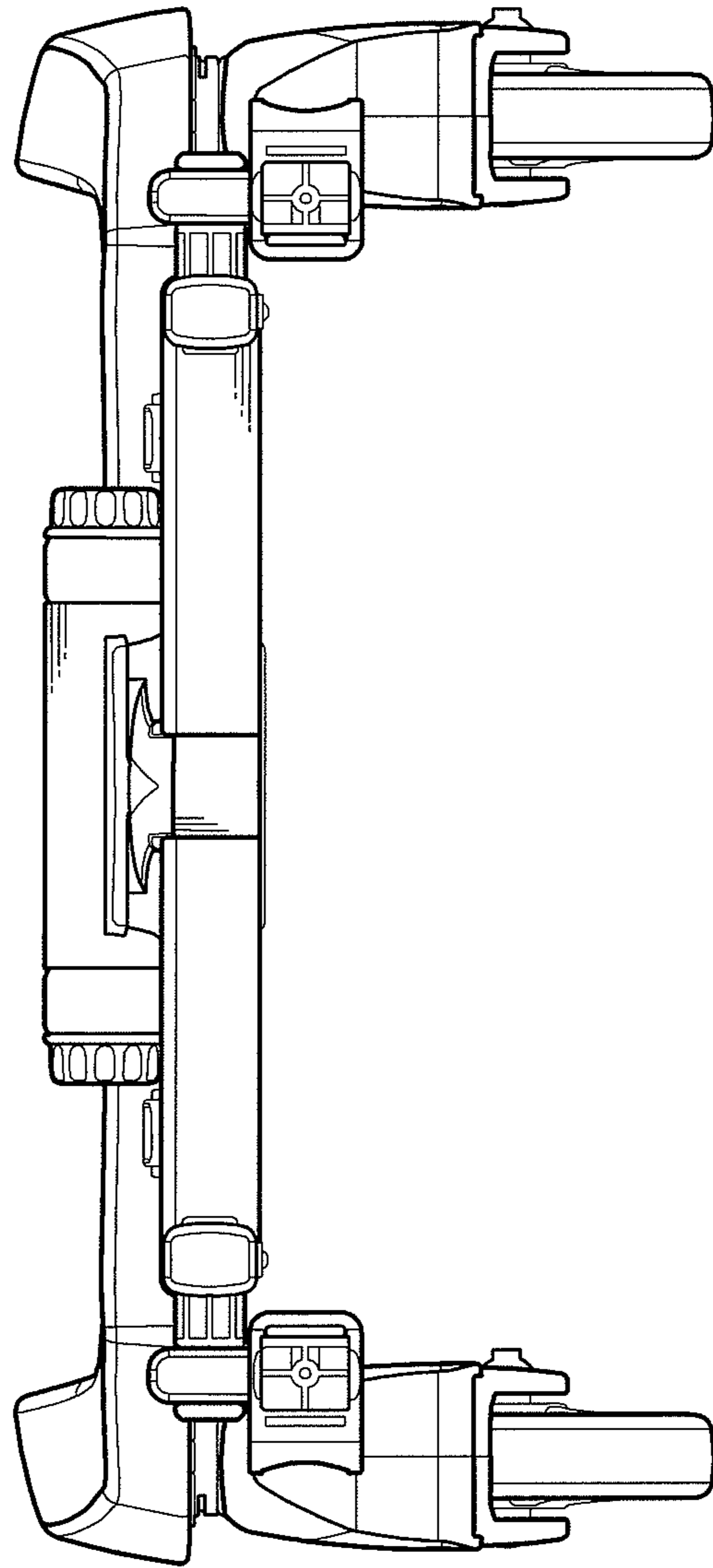


Fig. 2

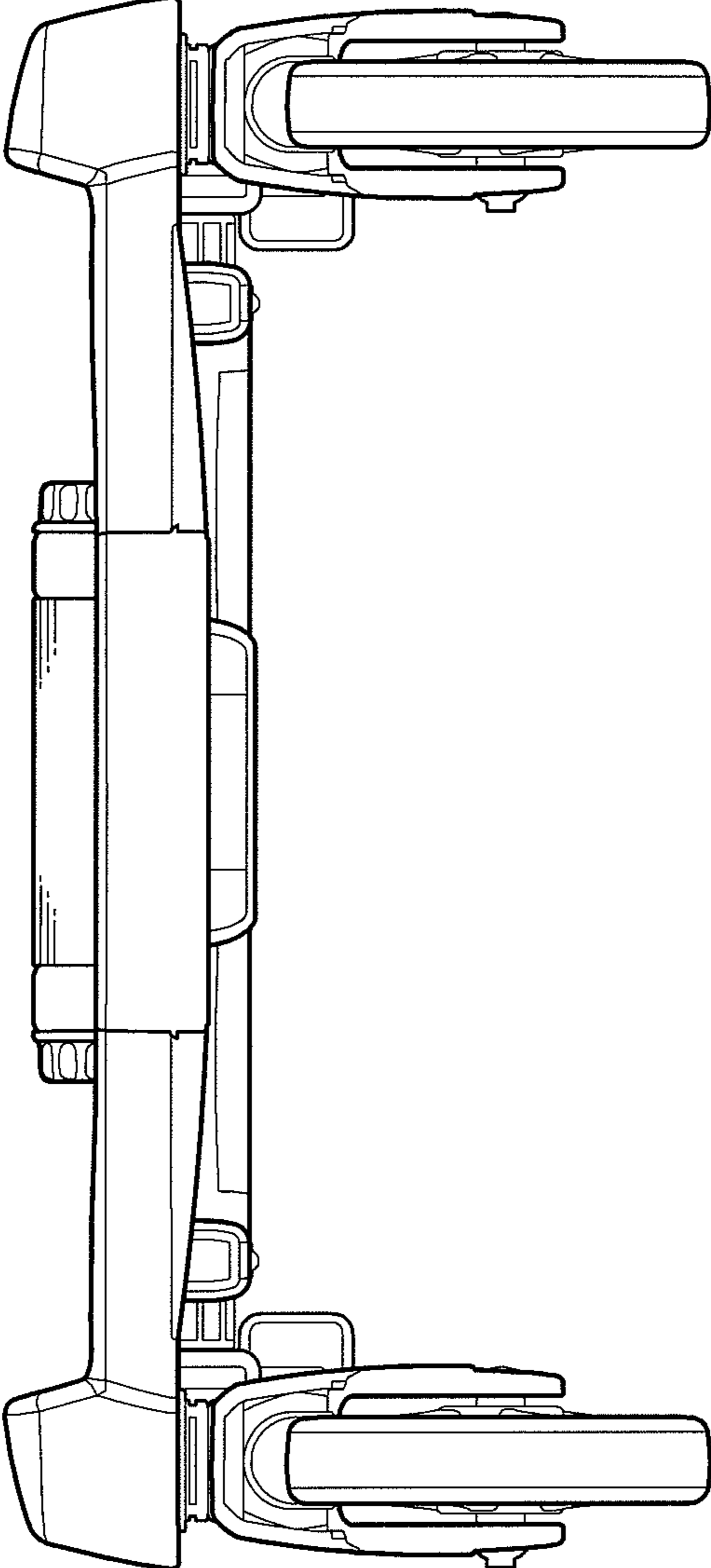


Fig. 3

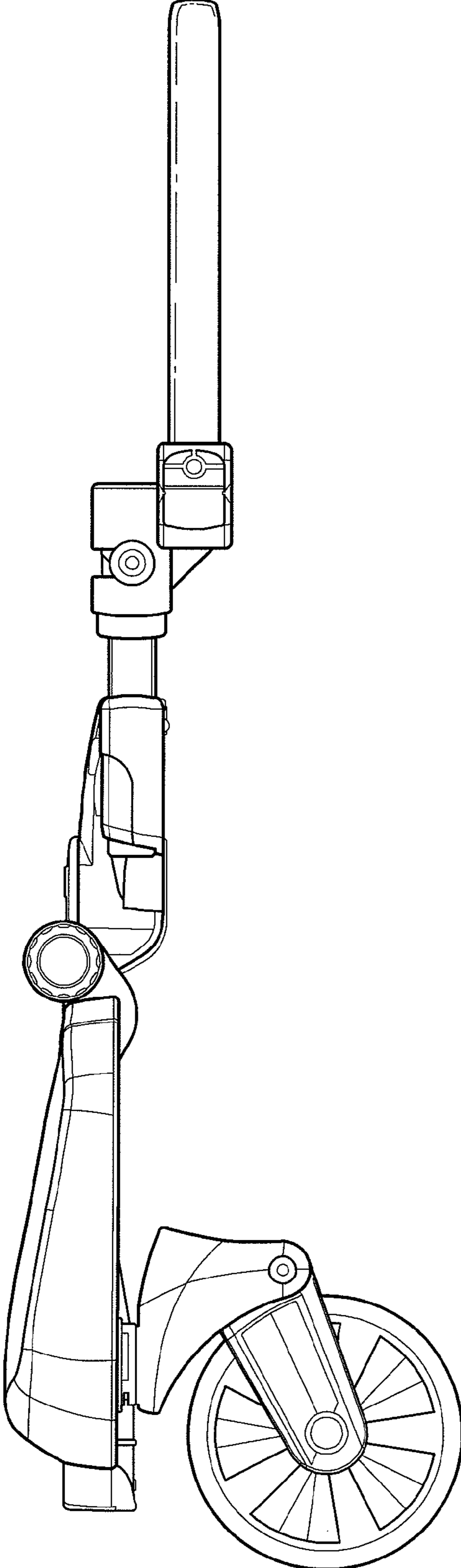


Fig. 4

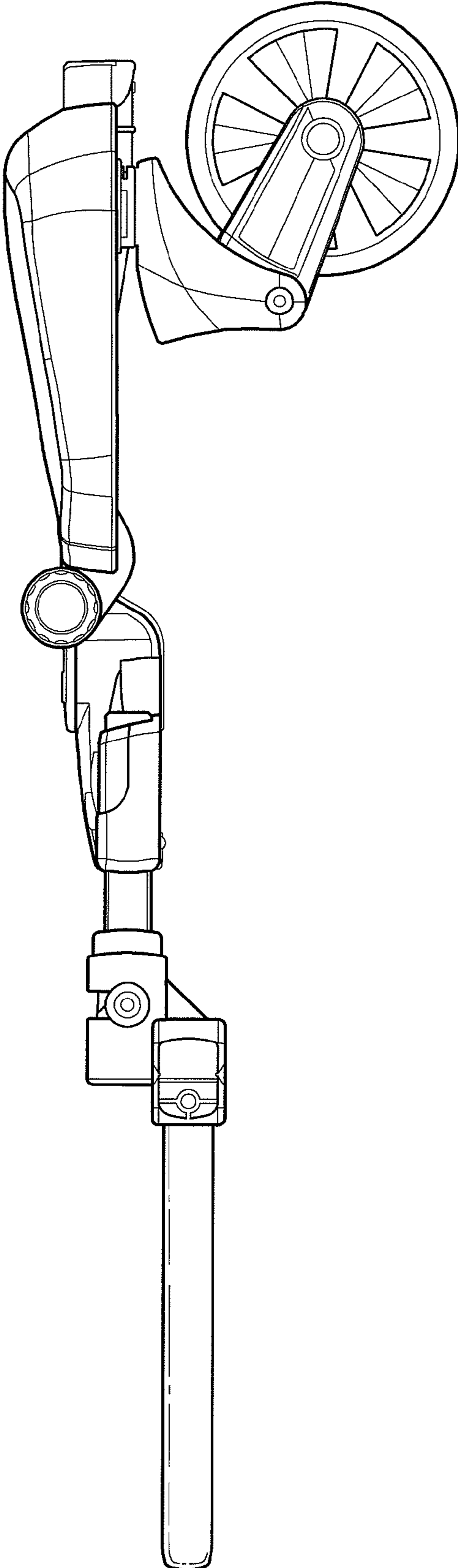


Fig. 5

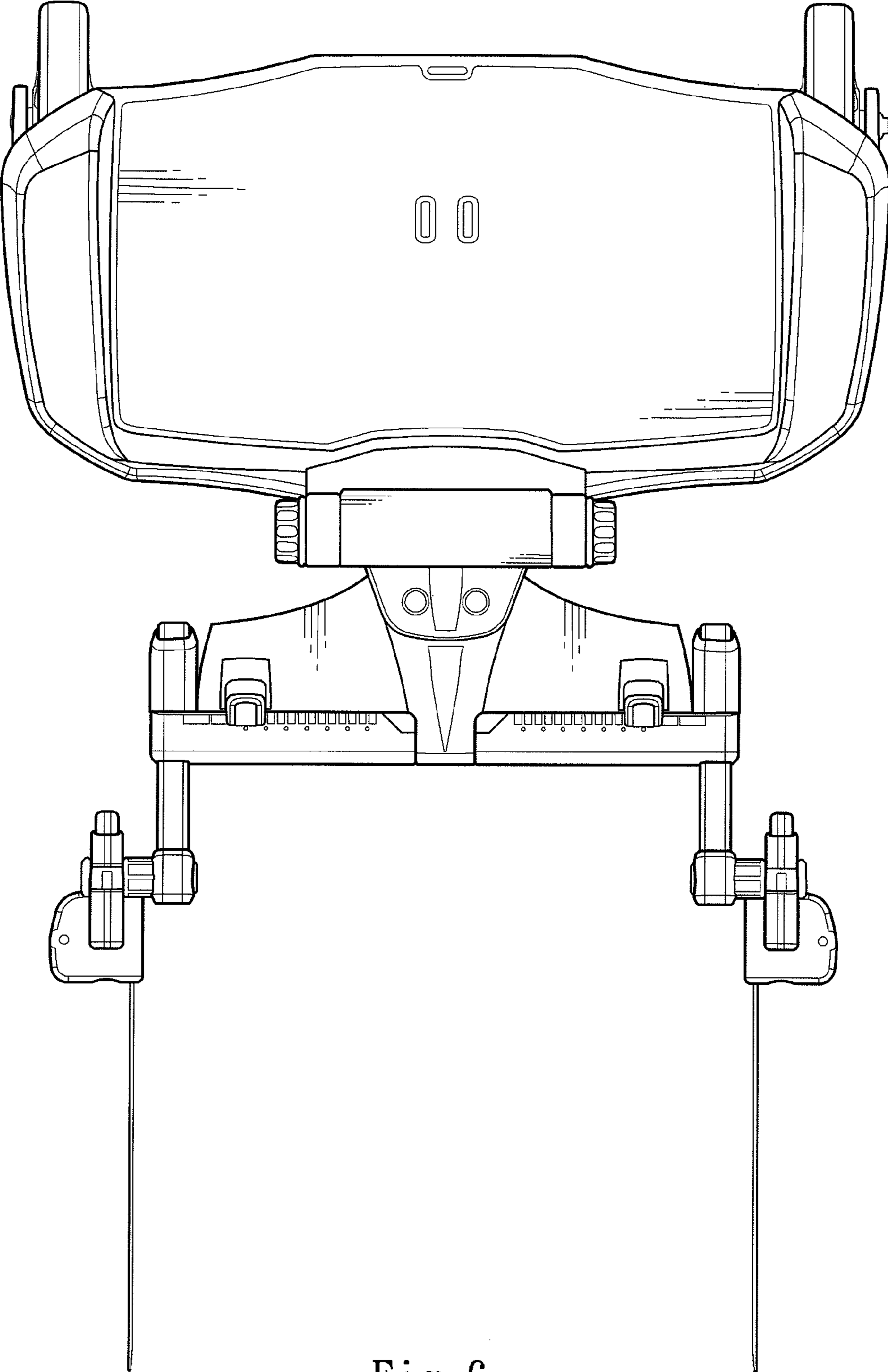


Fig. 6

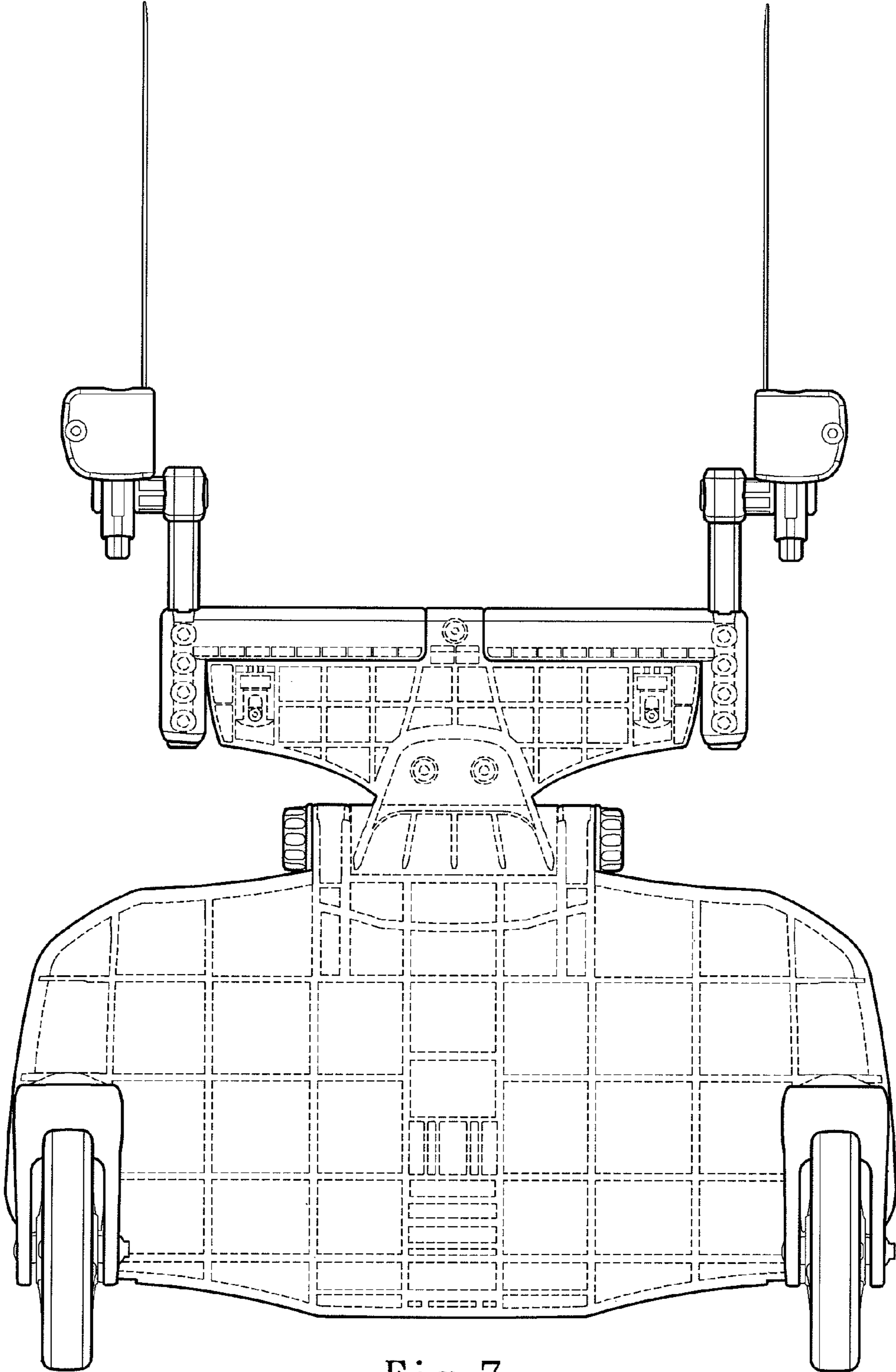


Fig. 7