



US00D682748S

(12) **United States Design Patent**
Horacek

(10) **Patent No.:** **US D682,748 S**

(45) **Date of Patent:** **** May 21, 2013**

(54) **WHEELCHAIR CHASSIS**

(76) Inventor: **Gregor Horacek**, Ransbach-Baumbach
(DE)

(**) Term: **14 Years**

(21) Appl. No.: **29/357,299**

(22) Filed: **Mar. 10, 2010**

(30) **Foreign Application Priority Data**

Sep. 28, 2009 (EM) 001167589-0003

(51) **LOC (9) Cl.** **12-12**

(52) **U.S. Cl.**
USPC **D12/133**

(58) **Field of Classification Search** D12/128-133;
297/DIG. 4; 296/65.03, 64.04; 224/409;
280/62, 647-650, 29, 200, 47.38, 250.1,
280/259, 642, 658

See application file for complete search history.

(56) **References Cited**

U.S. PATENT DOCUMENTS

D344,702 S * 3/1994 Robertson et al. D12/133
D413,555 S * 9/1999 Hernandez et al. D12/133

D433,968 S * 11/2000 Mascari et al. D12/133
7,249,777 B2 * 7/2007 Schreiber 280/250.1
D559,741 S * 1/2008 Lasher, III D12/133
7,520,518 B2 * 4/2009 Peterson et al. 280/250.1
D627,271 S * 11/2010 Knopf D12/133

* cited by examiner

Primary Examiner — Ian Simmons

Assistant Examiner — Charles Hanson

(74) *Attorney, Agent, or Firm* — Price Heneveld LLP

(57) **CLAIM**

The ornamental design for a wheelchair chassis, as shown and described.

DESCRIPTION

FIG. 1 is a perspective view of a wheelchair chassis, showing my new design;

FIG. 2 is a top plan view;

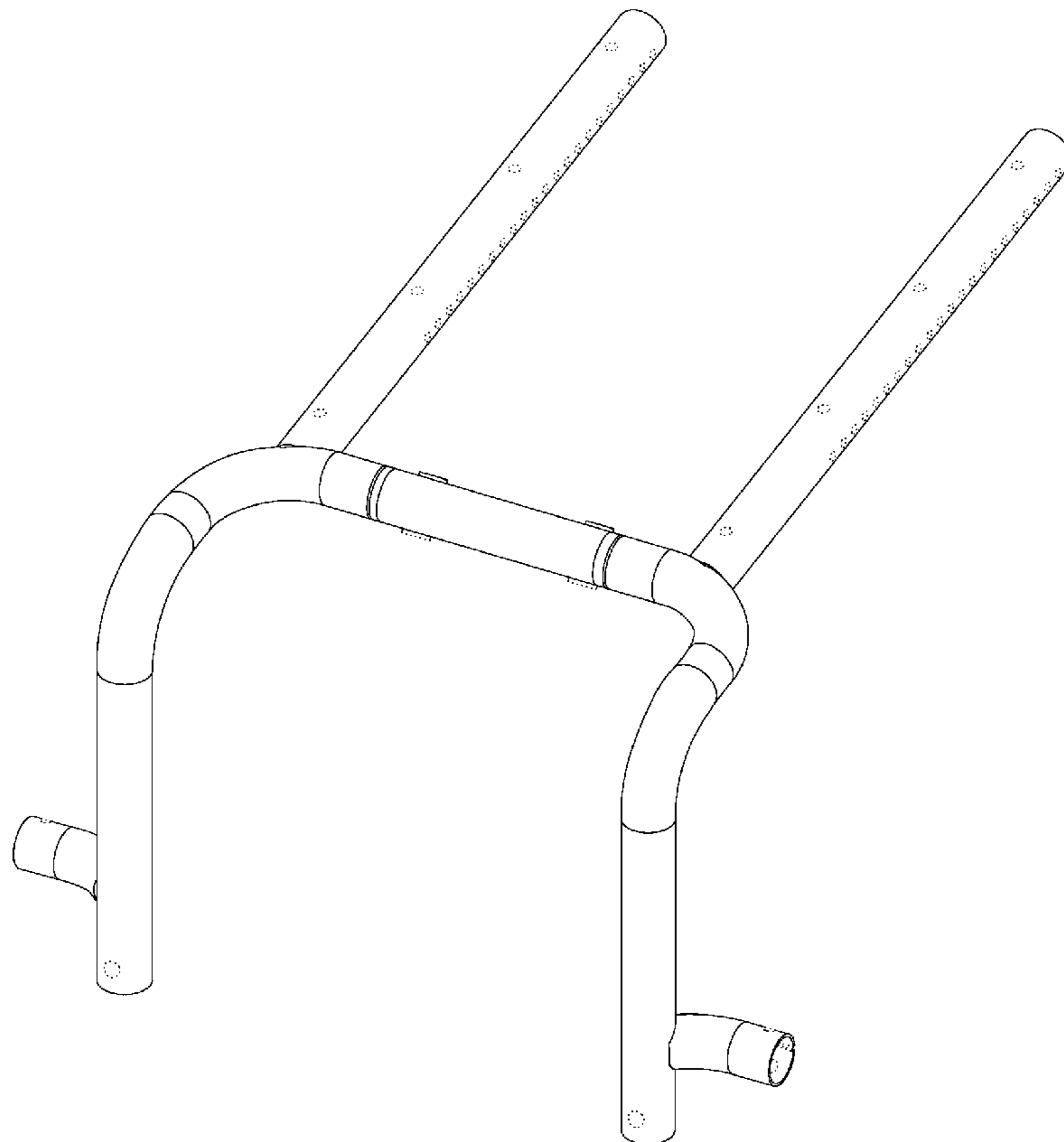
FIG. 3 is a bottom plan view;

FIG. 4 is a front elevational view; and,

FIG. 5 is a rear elevational view thereof.

The broken line showing is included for the purpose of illustrating environment and forms no part of the claimed design.

1 Claim, 5 Drawing Sheets



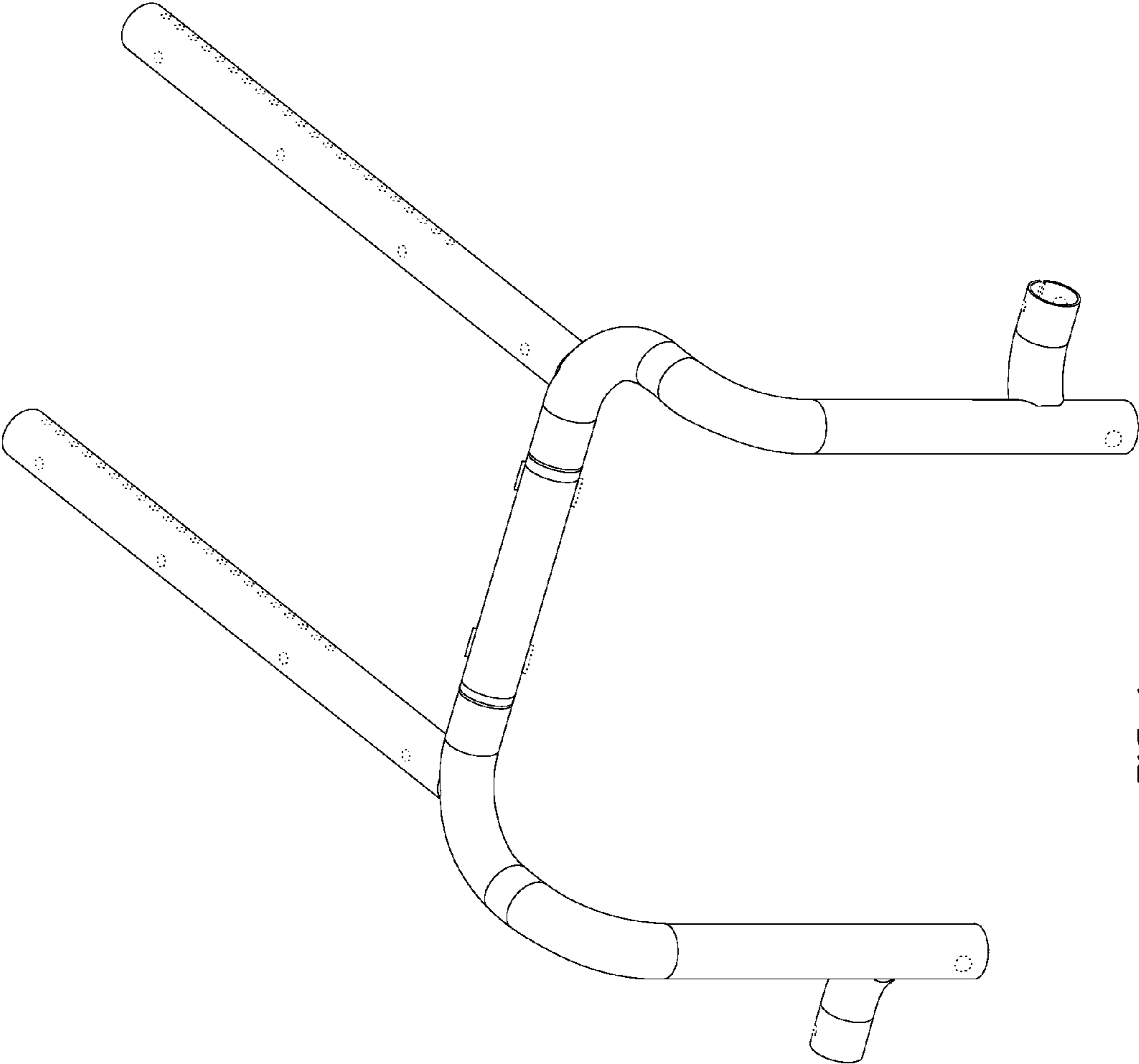


FIG. 1

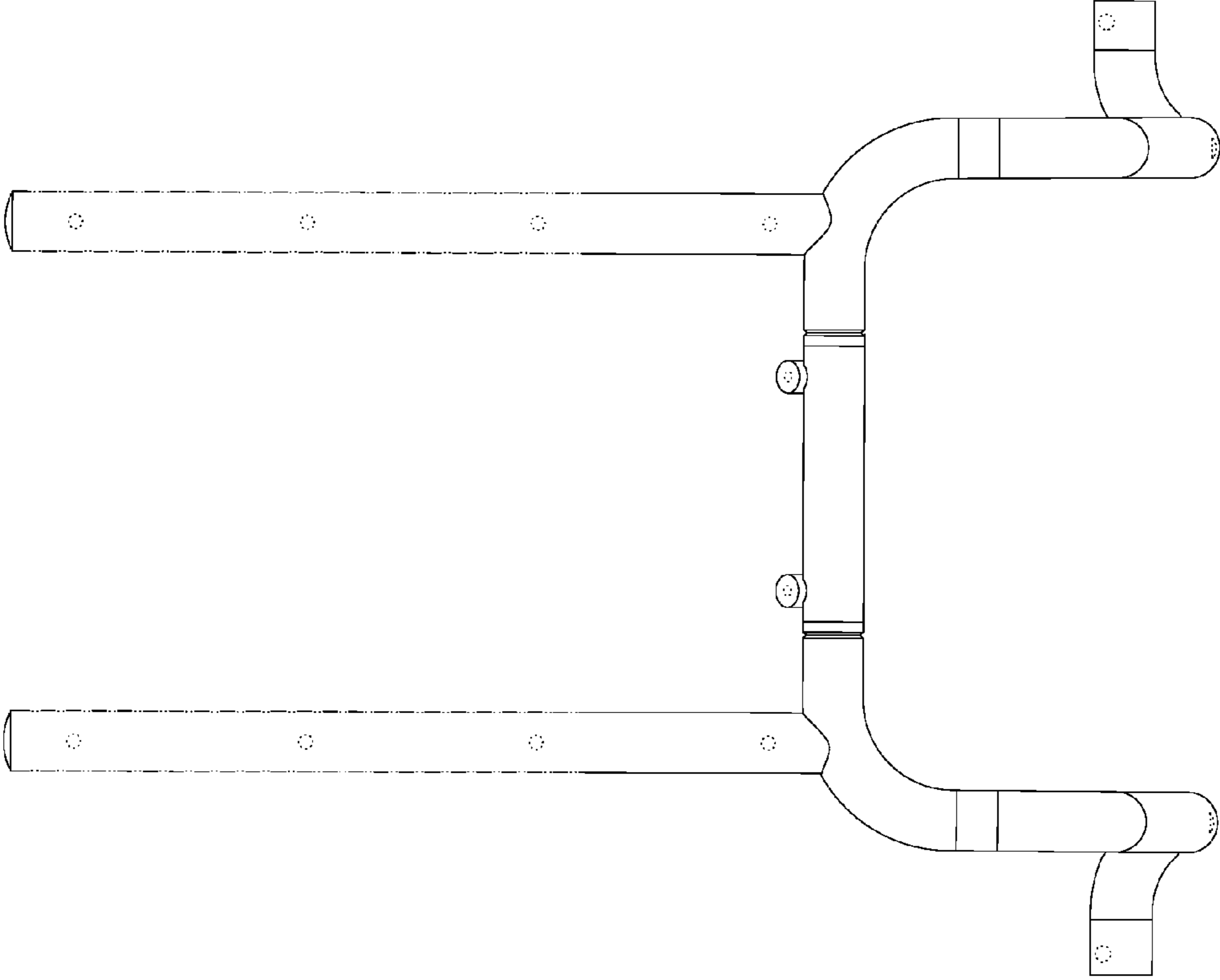


FIG. 2

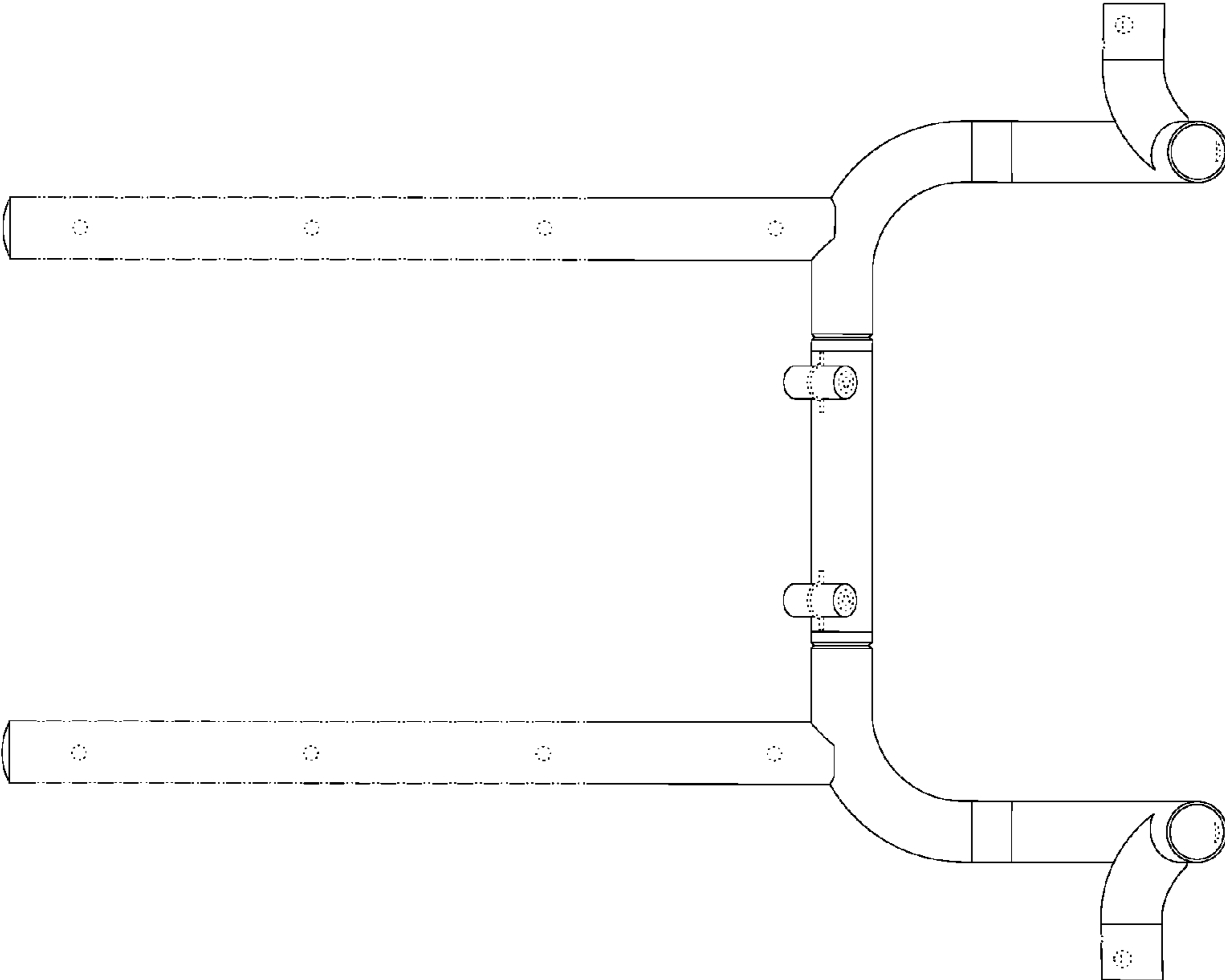


FIG. 3

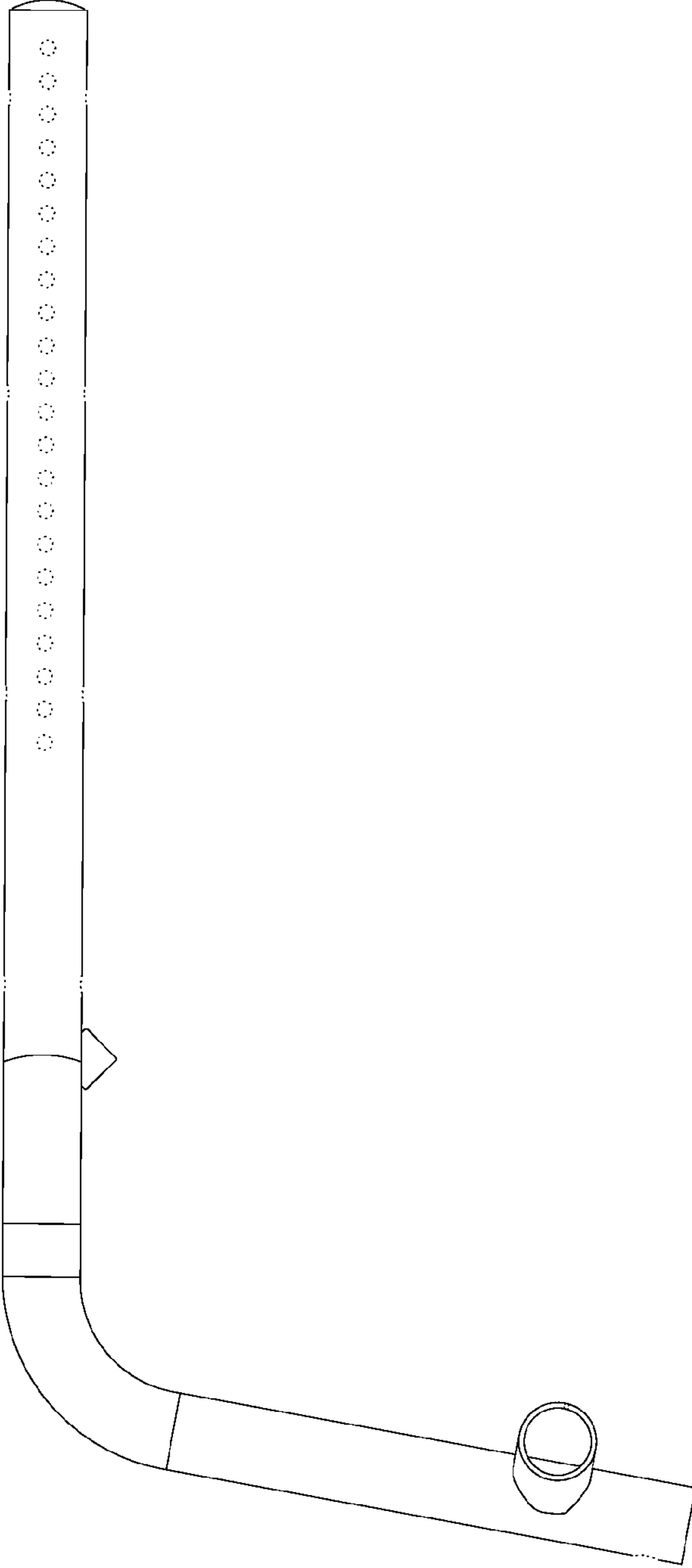


FIG. 4

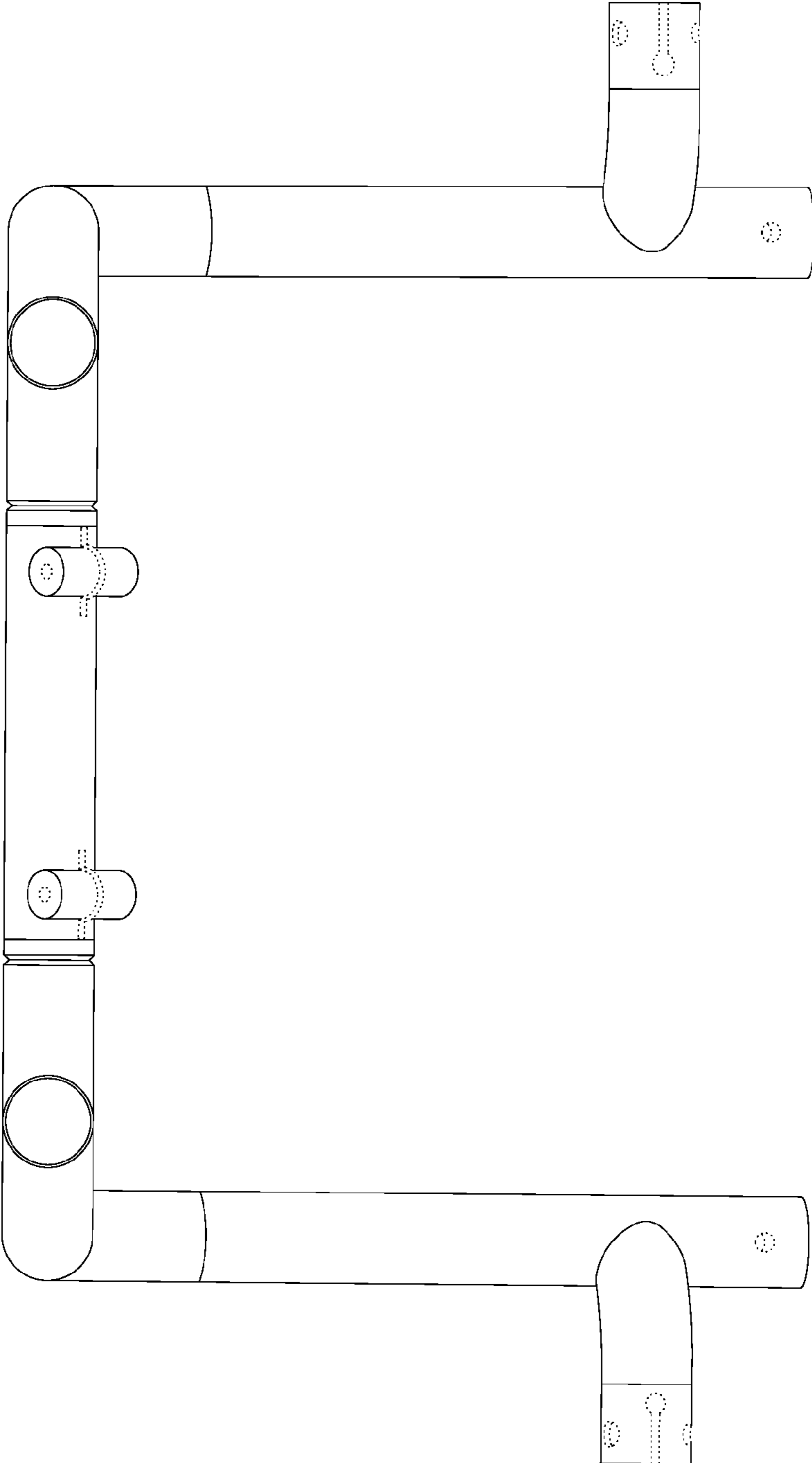


FIG. 5